



US00D877123S

(12) **United States Design Patent** (10) **Patent No.:** **US D877,123 S**  
**Lee et al.** (45) **Date of Patent:** **\*\* Mar. 3, 2020**

(54) **SPEAKER**  
(71) Applicant: **LG ELECTRONICS INC.**, Seoul (KR)  
(72) Inventors: **Sangho Lee**, Seoul (KR); **Sooyoung Park**, Seoul (KR)  
(73) Assignee: **LG ELECTRONICS INC.**, Seoul (KR)  
(\*\*) Term: **15 Years**  
(21) Appl. No.: **35/505,196**  
(22) Filed: **Dec. 29, 2017**

(80) **Hague Agreement Data**  
Int. Filing Date: **Dec. 29, 2017**  
Int. Reg. No.: **DM/099194**  
Int. Reg. Date: **Dec. 29, 2017**  
Int. Reg. Pub. Date: **Jun. 29, 2018**

(30) **Foreign Application Priority Data**  
Jul. 5, 2017 (KR) ..... 30-2017-0030929  
(51) **LOC (12) Cl.** ..... **14-01**  
(52) **U.S. Cl.**  
USPC ..... **D14/216**  
(58) **Field of Classification Search**  
USPC ..... D14/167, 168, 170-172, 188, 194-196,  
D14/204, 207, 209.1, 210-216, 219, 221,  
D14/222, 224, 239, 496; D10/114.5, 120  
CPC ..... H04R 1/028; H04R 1/10; H04R 1/2803;  
H04R 1/2826; H04R 1/342; H04R 3/00;  
H05K 1/0278  
See application file for complete search history.

(56) **References Cited**  
U.S. PATENT DOCUMENTS  
D335,683 S \* 5/1993 Smith ..... 347/88  
D611,034 S \* 3/2010 Pineau ..... D14/211

D689,845 S \* 9/2013 Nylen ..... D14/215  
D694,746 S \* 12/2013 Akana ..... D14/314  
D729,772 S \* 5/2015 Ferber ..... D14/216  
D734,740 S \* 7/2015 Erbeus ..... D14/214  
D739,397 S \* 9/2015 Akana ..... D14/314  
D798,268 S \* 9/2017 Fang ..... D14/216  
D811,368 S \* 2/2018 Fischer ..... D14/216  
D812,643 S \* 3/2018 Akana ..... D14/496  
9,930,444 B1 \* 3/2018 Stanley ..... G06F 3/041  
D825,529 S \* 8/2018 Huang ..... D14/216  
10,045,106 B1 \* 8/2018 Agyare ..... H04R 1/086  
D831,624 S \* 10/2018 Kwon ..... D14/240  
D836,609 S \* 12/2018 Yoon ..... D14/216  
D842,275 S \* 3/2019 Brunner ..... D14/216  
D842,842 S \* 3/2019 Lee ..... D14/216  
D843,974 S \* 3/2019 Yoon ..... D14/216  
2018/0220213 A1 \* 8/2018 Wu ..... H04R 1/26

\* cited by examiner

*Primary Examiner* — Darlington Ly  
(74) *Attorney, Agent, or Firm* — Birch, Stewart, Kolasch & Birch, LLP

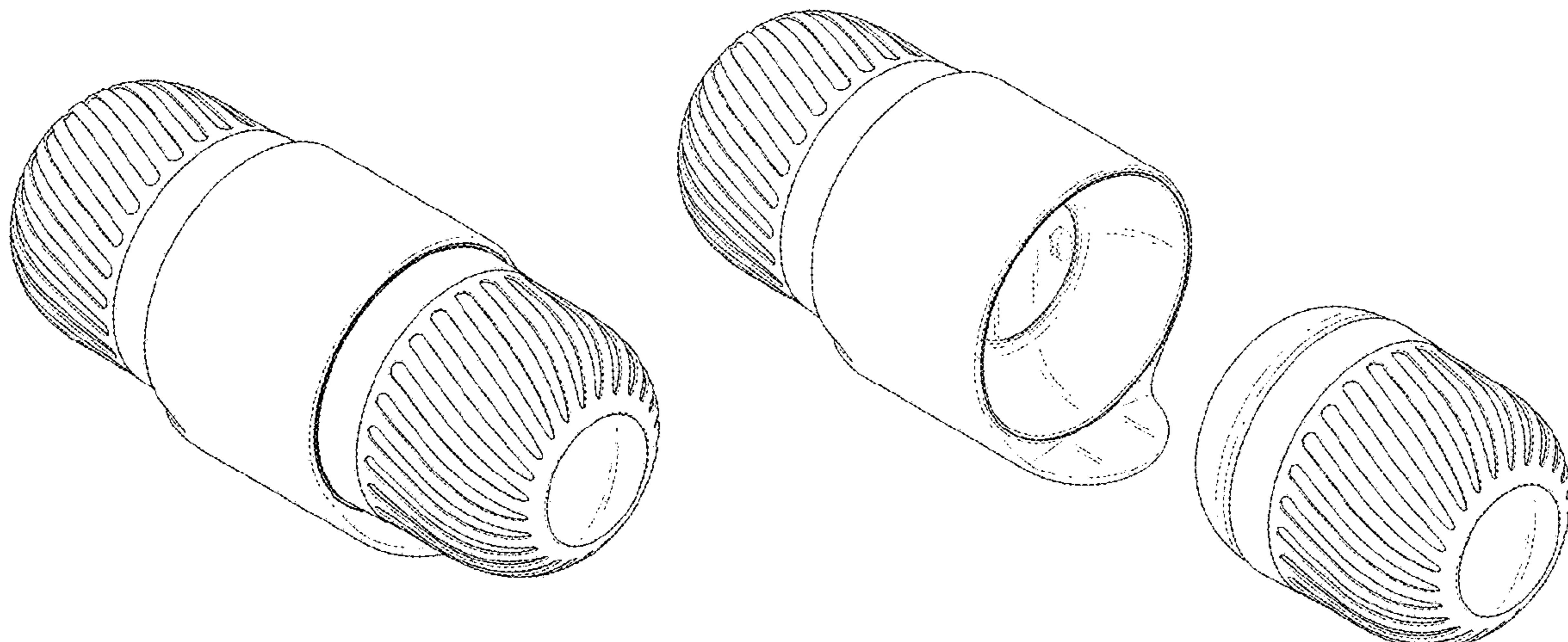
(57) **CLAIM**

The ornamental design for a speaker, as shown and described.

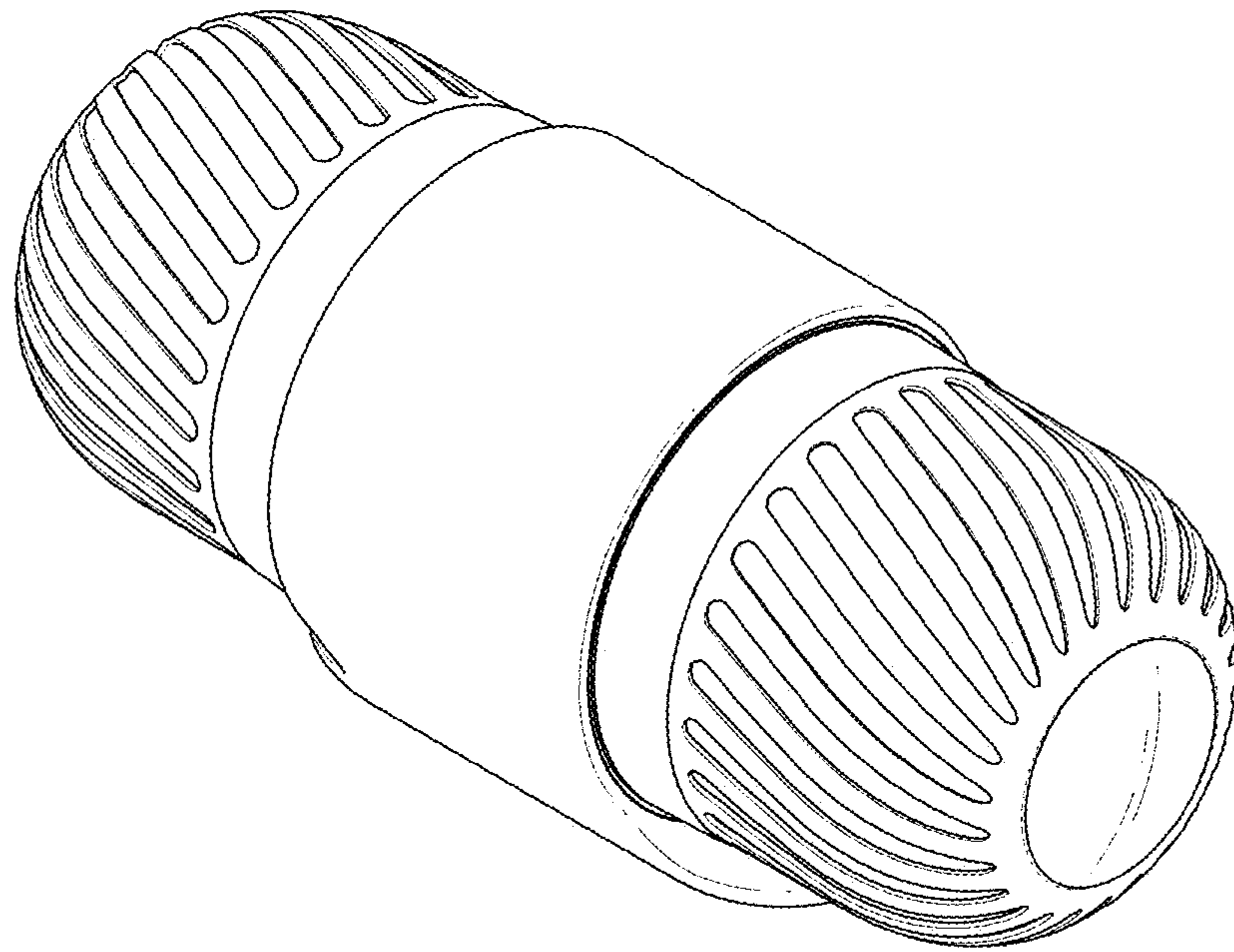
**DESCRIPTION**

1. Speaker  
1.1 is a perspective view of a speaker showing our new design;  
1.2 is a front elevation view thereof;  
1.3 is a rear elevation view thereof;  
1.4 is a left side elevation view thereof;  
1.5 is a right side elevation view thereof;  
1.6 is a top plan view thereof;  
1.7 is a bottom plan view thereof; and  
1.8 is an exploded perspective view thereof showing the separation between the speaker body from the speaker unit. The broken lines in the reproductions illustrate portions of the speaker that form no part of the claimed design.

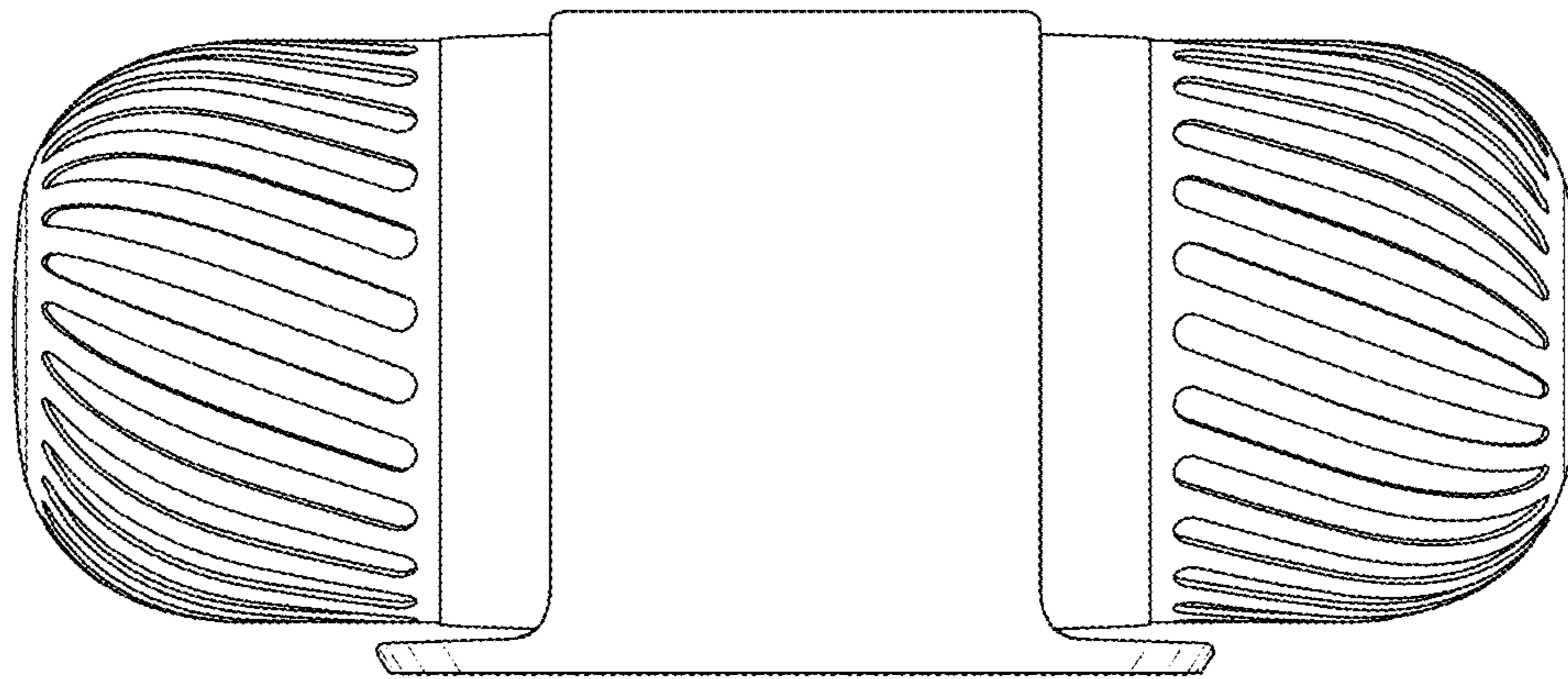
**1 Claim, 5 Drawing Sheets**



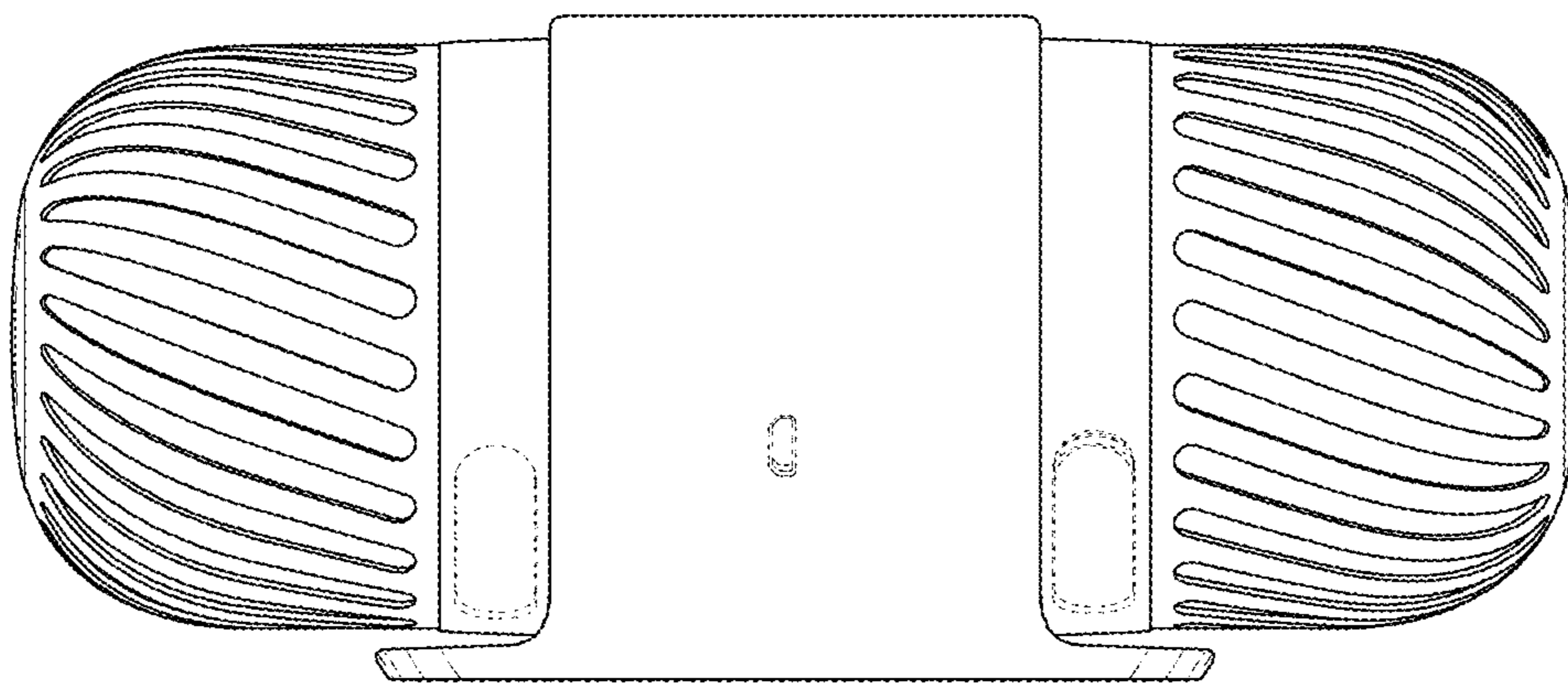
1.1



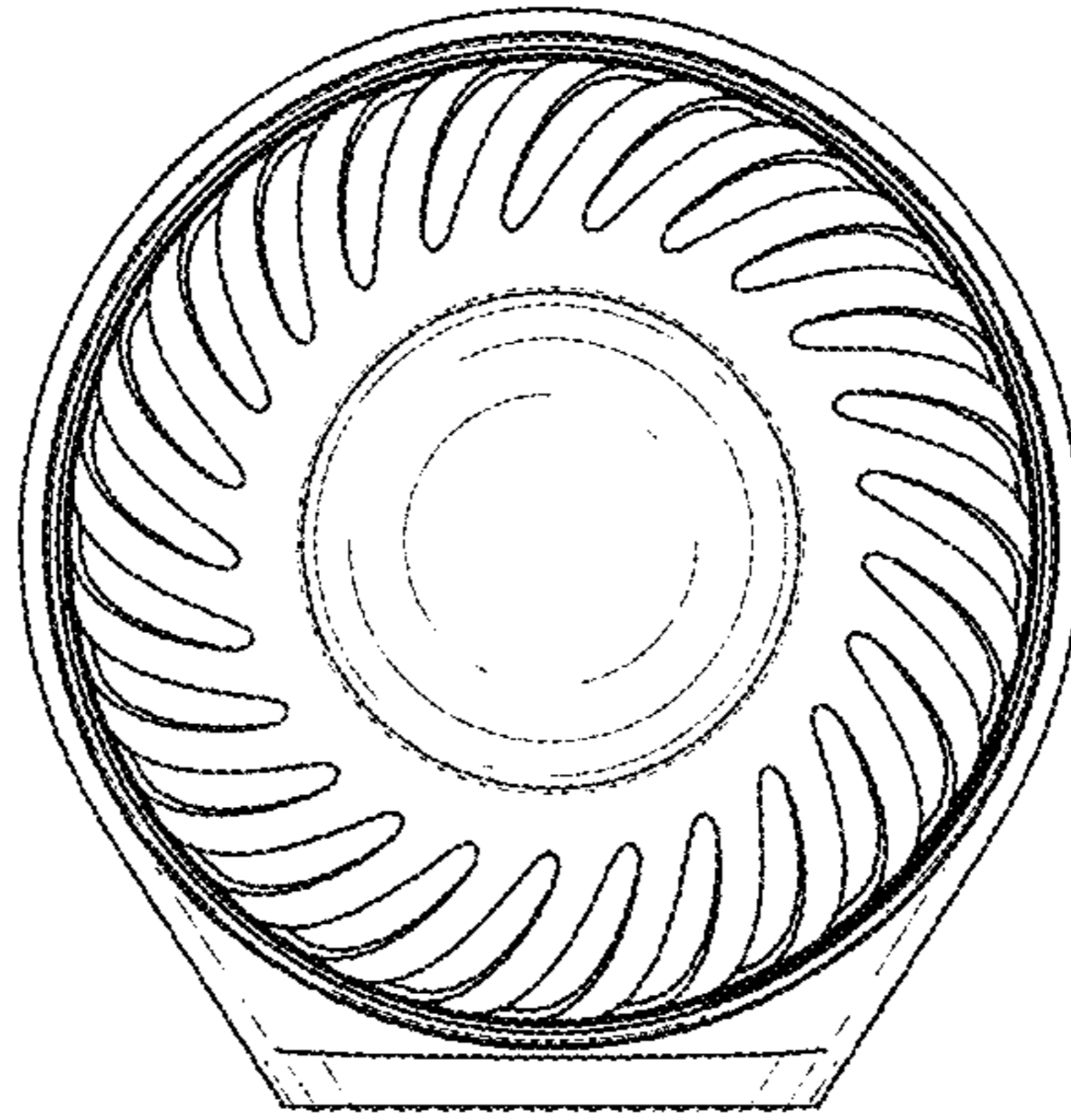
1.2



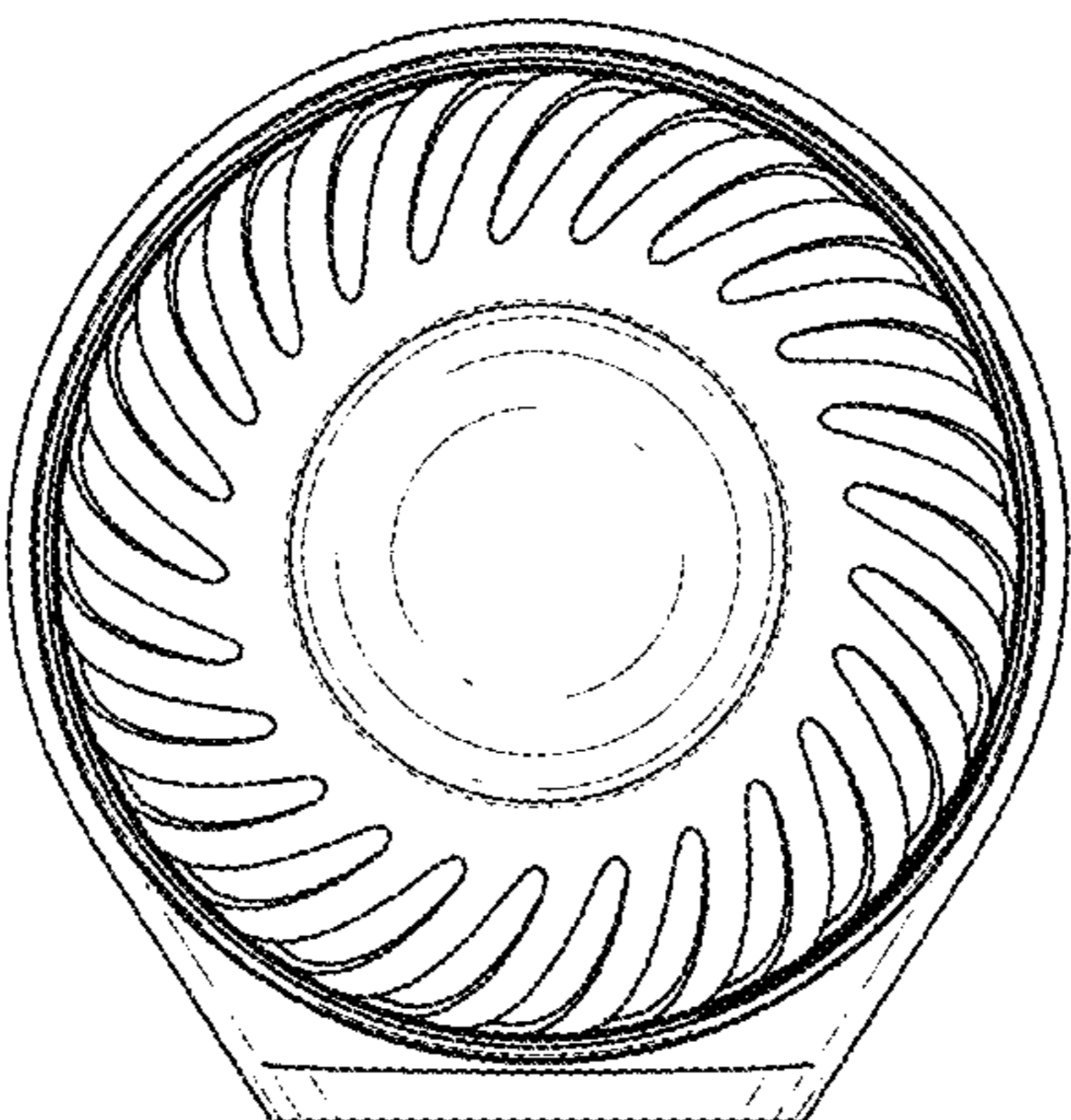
1.3



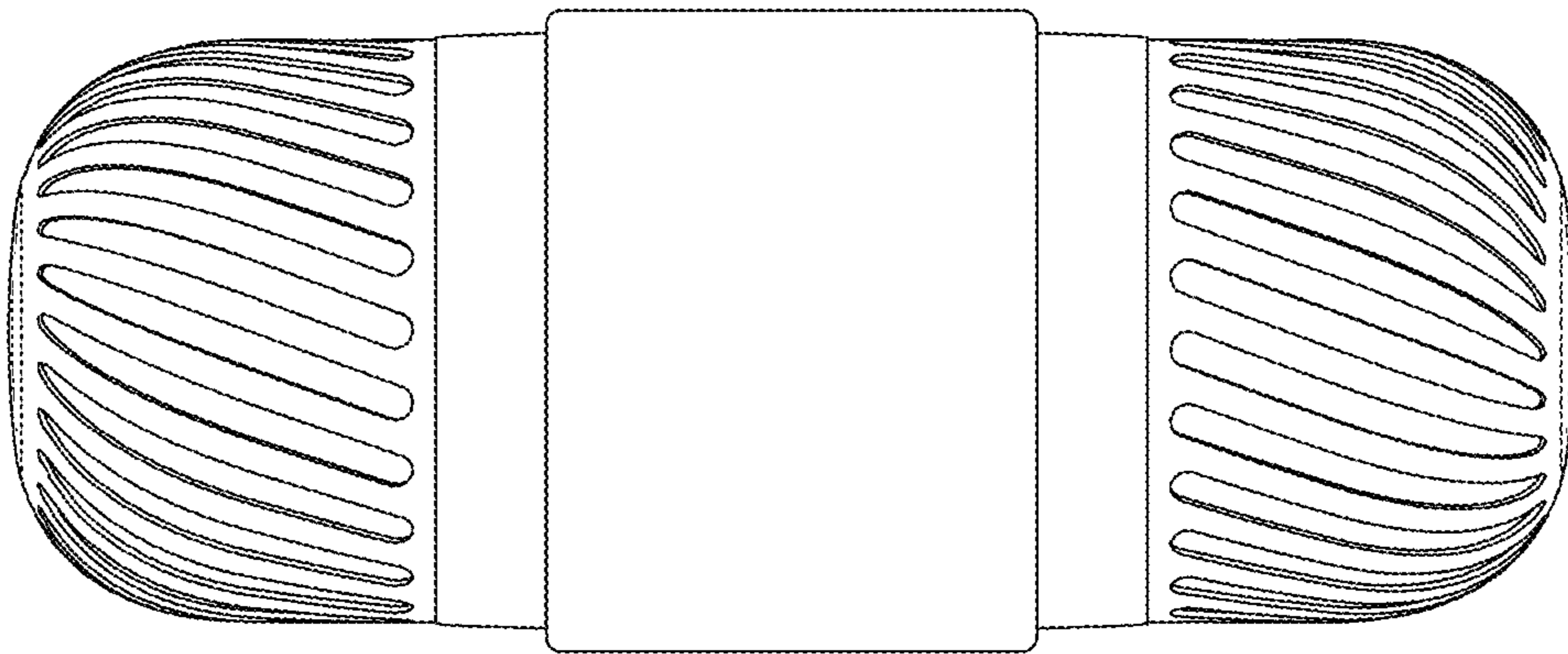
1.4



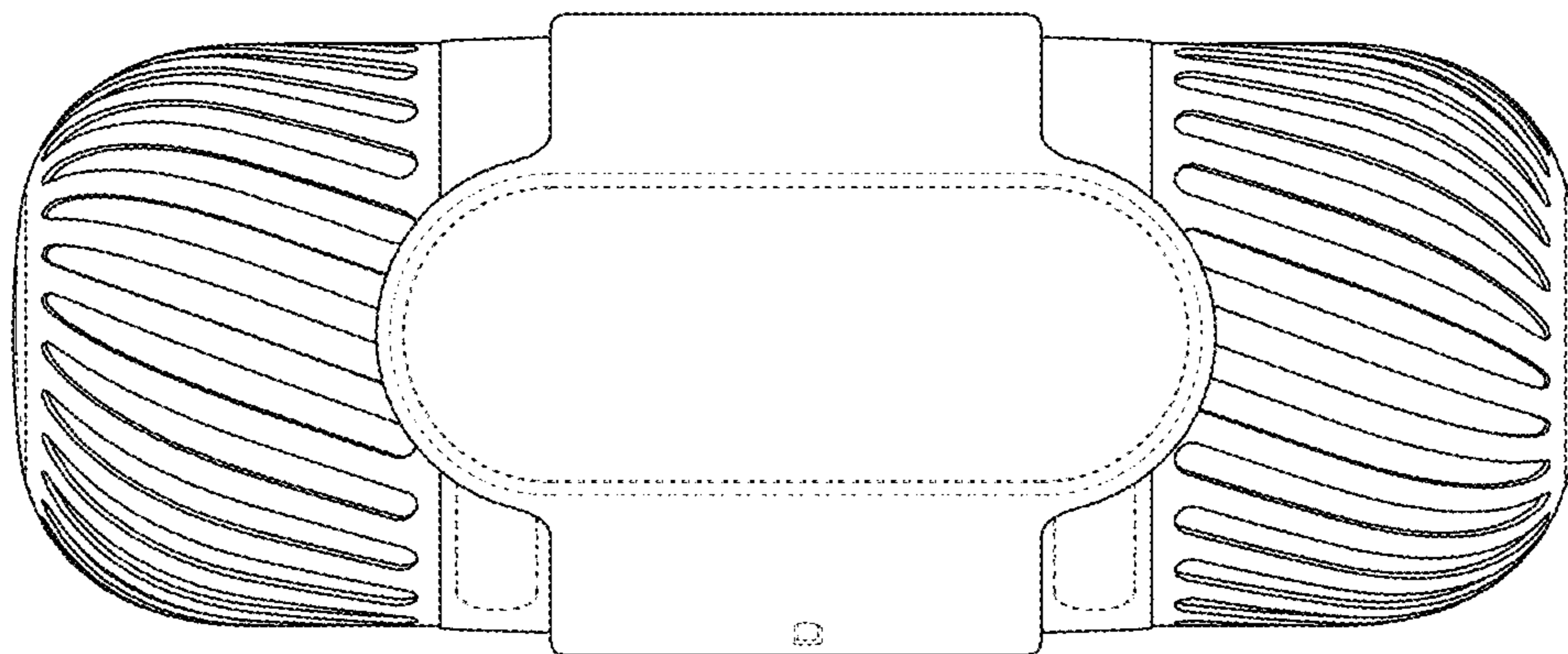
1.5



1.6



1.7



1.8

