



US00D877120S

(12) **United States Design Patent**
Choi

(10) **Patent No.:** **US D877,120 S**
(45) **Date of Patent:** **** Mar. 3, 2020**

- (54) **SPEAKER**
- (71) Applicant: **Samsung Electronics Co., Ltd.,**
Suwon-si (KR)
- (72) Inventor: **Gyoo-Sang Choi,** Suwon-si (KR)
- (73) Assignee: **Samsung Electronics Co., Ltd.,**
Suwon-si (KR)
- (**) Term: **15 Years**
- (21) Appl. No.: **29/654,426**
- (22) Filed: **Jun. 25, 2018**
- (30) **Foreign Application Priority Data**

Jan. 4, 2018 (KR) 30-2018-0000741

- (51) **LOC (12) Cl.** **14-01**
- (52) **U.S. Cl.**
USPC **D14/214**
- (58) **Field of Classification Search**
USPC D14/204, 496, 214, 172
CPC H04R 1/02; H04R 1/021; H04R 1/026;
H04R 1/028; H04R 1/403; H04R 1/2803;
H04R 5/02; H04R 9/06; H04R 9/13;
H04R 2201/021; H04R 2400/00; H04R
2499/11
See application file for complete search history.

(56) **References Cited**

U.S. PATENT DOCUMENTS

D472,542 S *	4/2003	Oikawa	D14/172
D478,891 S *	8/2003	Hisatsune	D14/211
D491,166 S *	6/2004	Hakoda	D14/214
D542,272 S *	5/2007	Shiono	D14/214
D543,553 S *	5/2007	Langberg	D14/496
D547,748 S *	7/2007	Tsuge	D14/211
D552,080 S *	10/2007	Langberg	D14/214
D578,105 S *	10/2008	Komiyama	D14/214
D578,106 S *	10/2008	Shimizu	D14/214

D589,939 S *	4/2009	Hsu	H04R 1/025 D14/211
D641,007 S *	7/2011	Skurdal	D14/214
D641,338 S *	7/2011	Chen	D14/209.1

(Continued)

FOREIGN PATENT DOCUMENTS

CN	2013300559835	7/2013
CN	2014300269663	8/2014

(Continued)

Primary Examiner — Cynthia R Underwood
(74) *Attorney, Agent, or Firm* — NSIP Law

(57) **CLAIM**

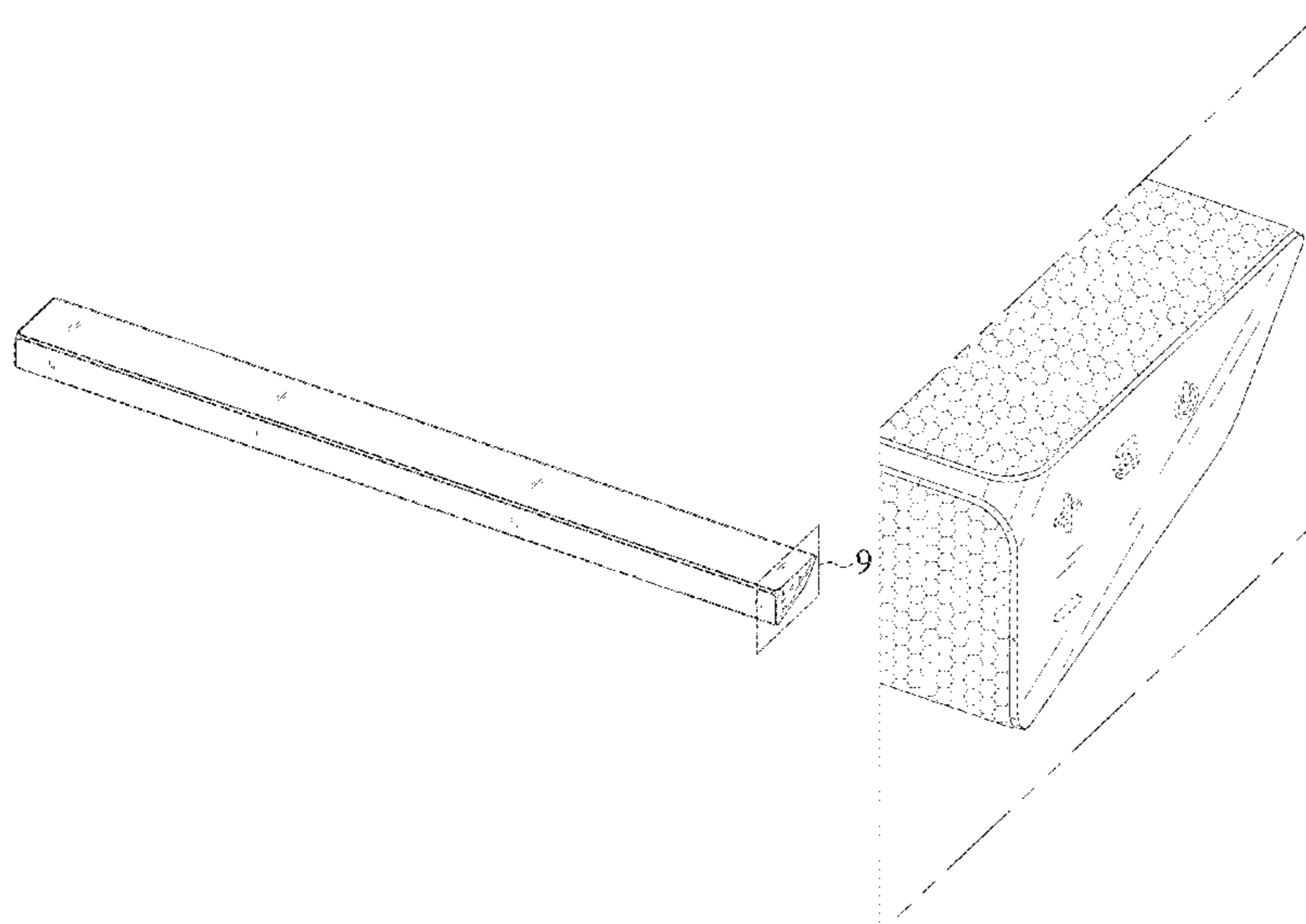
I claim the ornamental design for a speaker, as shown and described.

DESCRIPTION

FIG. 1 is a front perspective view of a speaker showing my new design;
 FIG. 2 is a front view thereof;
 FIG. 3 is a rear view thereof;
 FIG. 4 is a left-side view thereof;
 FIG. 5 is a right-side view thereof;
 FIG. 6 is a top view thereof;
 FIG. 7 is a bottom view thereof;
 FIG. 8 is a rear perspective view thereof;
 FIG. 9 is an enlarged view of the encircled portion in FIG. 1;
 FIG. 10 is another perspective view thereof shown in an environment of use with an unclaimed speaker grille; and,
 FIG. 11 is an enlarged view of the encircled portion in FIG. 10.

The evenly spaced broken lines in the figures show portions of the speaker which form no part of the claimed design. The dot-dot-dash broken lines encircling portions of the claimed design that are illustrated in enlargements form no part of the claimed design.

1 Claim, 11 Drawing Sheets



(56)

References Cited

U.S. PATENT DOCUMENTS

D642,158 S * 7/2011 Skurdal D14/214
 D655,276 S * 3/2012 Joseph D14/214
 D660,284 S * 5/2012 Carbone D14/214
 8,254,622 B2 * 8/2012 Jiang G11B 33/025
 381/333
 D672,749 S * 12/2012 Onoue D14/214
 D681,606 S * 5/2013 Nishii D14/214
 D685,346 S * 7/2013 Szymanski D14/214
 D685,347 S * 7/2013 Szymanski D14/214
 D692,860 S * 11/2013 Paterson D14/214
 D693,329 S * 11/2013 Lee D14/210
 D697,052 S * 1/2014 Loudon D14/214
 D703,194 S * 4/2014 Jacobs D14/225
 D706,748 S * 6/2014 Hara D14/214
 D715,257 S 10/2014 Son et al.
 D719,931 S * 12/2014 Wang D14/204
 D726,153 S * 4/2015 Chang D14/214
 D728,524 S * 5/2015 Cho D14/216
 D734,739 S * 7/2015 Green D14/214
 D750,044 S * 2/2016 Nam D14/214
 D750,601 S * 3/2016 Williams D14/225
 D756,817 S * 5/2016 Fries D10/78
 D760,683 S * 7/2016 Larsen D14/204
 D760,684 S * 7/2016 Green D14/204
 D768,603 S * 10/2016 Kim D14/214
 D785,596 S * 5/2017 Lewis D14/214
 D785,597 S * 5/2017 Fung D14/204
 D794,028 S * 8/2017 Lin D14/433
 D800,730 S * 10/2017 Liao D14/433
 D813,875 S * 3/2018 Liao D14/434
 D814,471 S * 4/2018 Kim D14/433
 D815,639 S * 4/2018 Lau D14/433
 D817,968 S * 5/2018 Kim D14/485
 D819,597 S * 6/2018 Hu D14/214
 D819,599 S * 6/2018 Won D14/215
 D819,602 S * 6/2018 Won D14/216
 D820,237 S * 6/2018 Wei D14/214
 D820,264 S * 6/2018 Lai D14/433
 D822,001 S * 7/2018 Won D14/214
 D822,003 S * 7/2018 Won D14/214
 D823,831 S * 7/2018 Kim D14/215
 D826,213 S * 8/2018 Kim D14/210

D826,214 S * 8/2018 Kim D14/210
 D826,216 S * 8/2018 Schoolmeester D14/214
 D827,610 S * 9/2018 Kim D14/214
 D828,839 S * 9/2018 Zhang D14/433
 D830,002 S * 10/2018 Turkbash D29/108
 D833,416 S * 11/2018 Hu D14/204
 D835,072 S * 12/2018 Kim D14/216
 D835,605 S * 12/2018 Schoolmeester D14/214
 D836,605 S * 12/2018 Kim D14/215
 D837,790 S * 1/2019 Wu D14/435
 D839,239 S * 1/2019 Kim D14/214
 D839,854 S * 2/2019 Kim D14/214
 D839,876 S * 2/2019 Turksu D14/435.1
 D841,007 S * 2/2019 Xie D14/433
 D841,622 S * 2/2019 Cheney D14/210
 D843,966 S * 3/2019 Cheney D14/204
 D845,269 S * 4/2019 Yang D14/204
 D845,925 S * 4/2019 Bellinghausen D14/204
 D847,139 S * 4/2019 Wang D14/433
 D847,811 S * 5/2019 Shim D14/356
 D848,971 S * 5/2019 Wang D14/204
 D848,975 S * 5/2019 Kong D14/215
 D849,716 S * 5/2019 Kim D14/215
 D849,717 S * 5/2019 Kim D14/215
 D850,409 S * 6/2019 Won D14/214
 D851,067 S * 6/2019 McManigal
 D851,633 S * 6/2019 Nakano D14/226
 D852,773 S * 7/2019 McManigal D14/204
 D852,774 S * 7/2019 Sugiura D14/204
 D854,509 S * 7/2019 Wu D14/168
 D855,054 S * 7/2019 Turksu D14/433
 D856,278 S * 8/2019 Turksu D13/108
 D856,980 S * 8/2019 Pedersen D14/219
 D857,873 S * 8/2019 Shimada D23/371
 D860,687 S * 9/2019 Parikh D6/655.1
 D862,385 S * 10/2019 Turksu D13/108
 D862,409 S * 10/2019 Lee D14/204
 D862,473 S * 10/2019 Liu D14/433
 D862,474 S * 10/2019 Liu D14/433

FOREIGN PATENT DOCUMENTS

CN 2015300829890 10/2015
 KR 30-2013-0000743 1/2014

* cited by examiner

FIG. 1

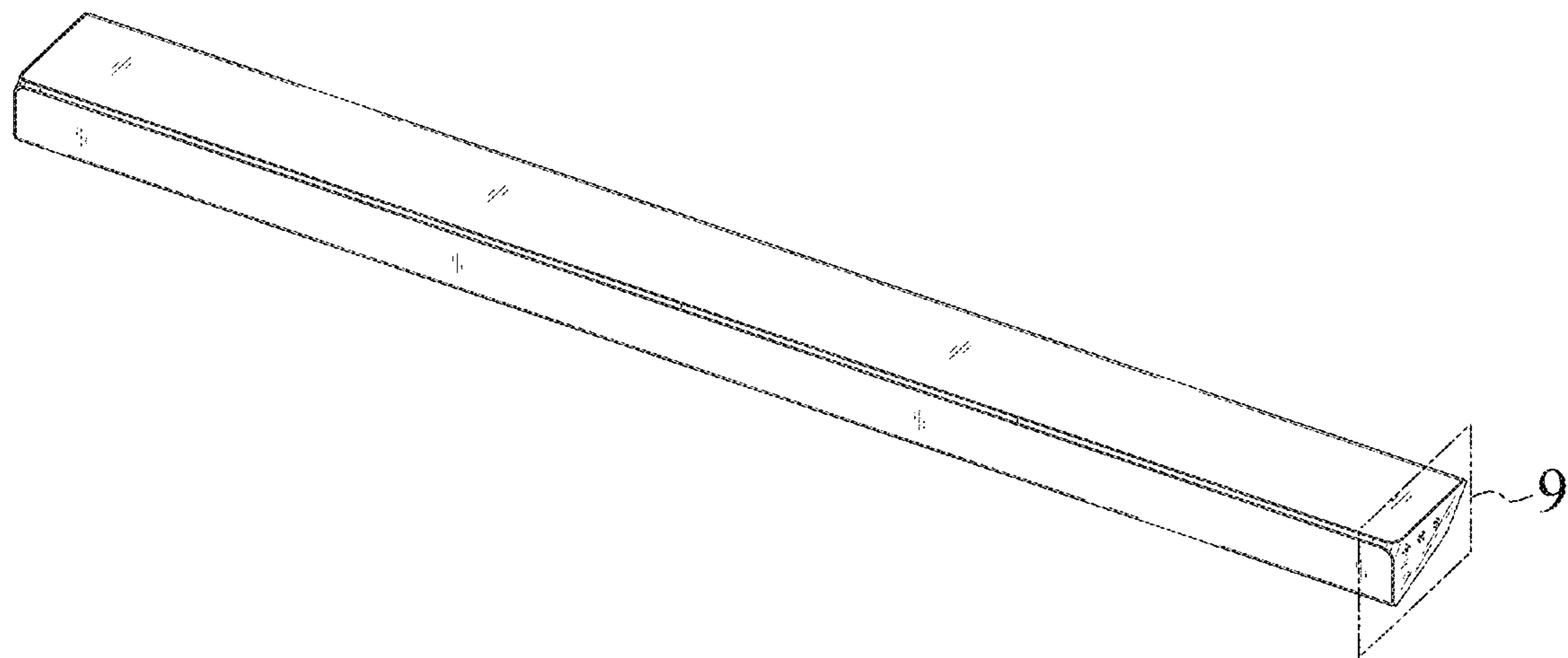


FIG. 2

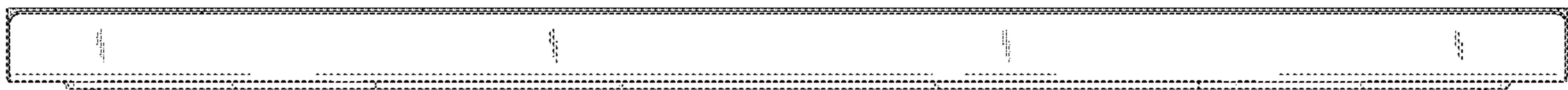


FIG. 3



FIG. 4

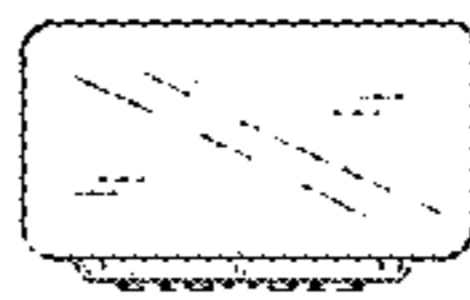


FIG. 5



FIG. 6



FIG. 7

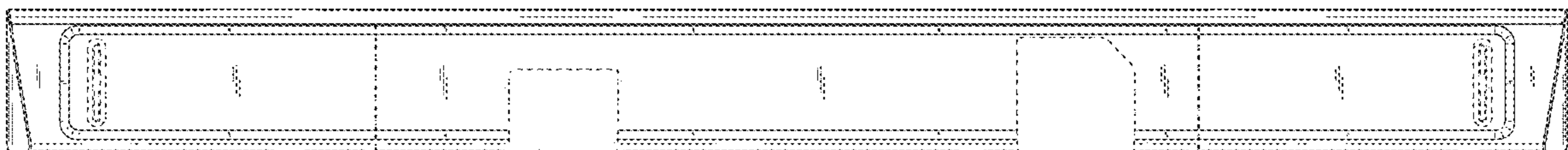


FIG. 8

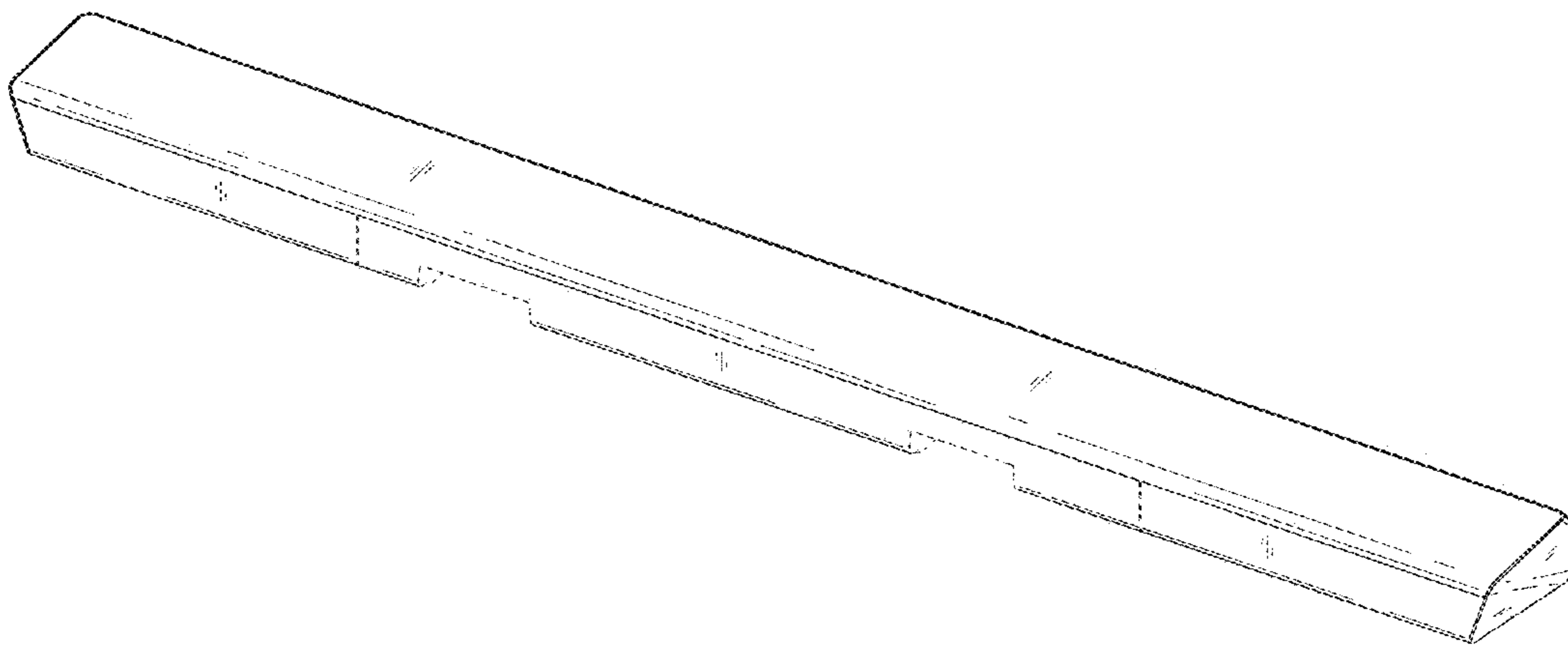


FIG. 9

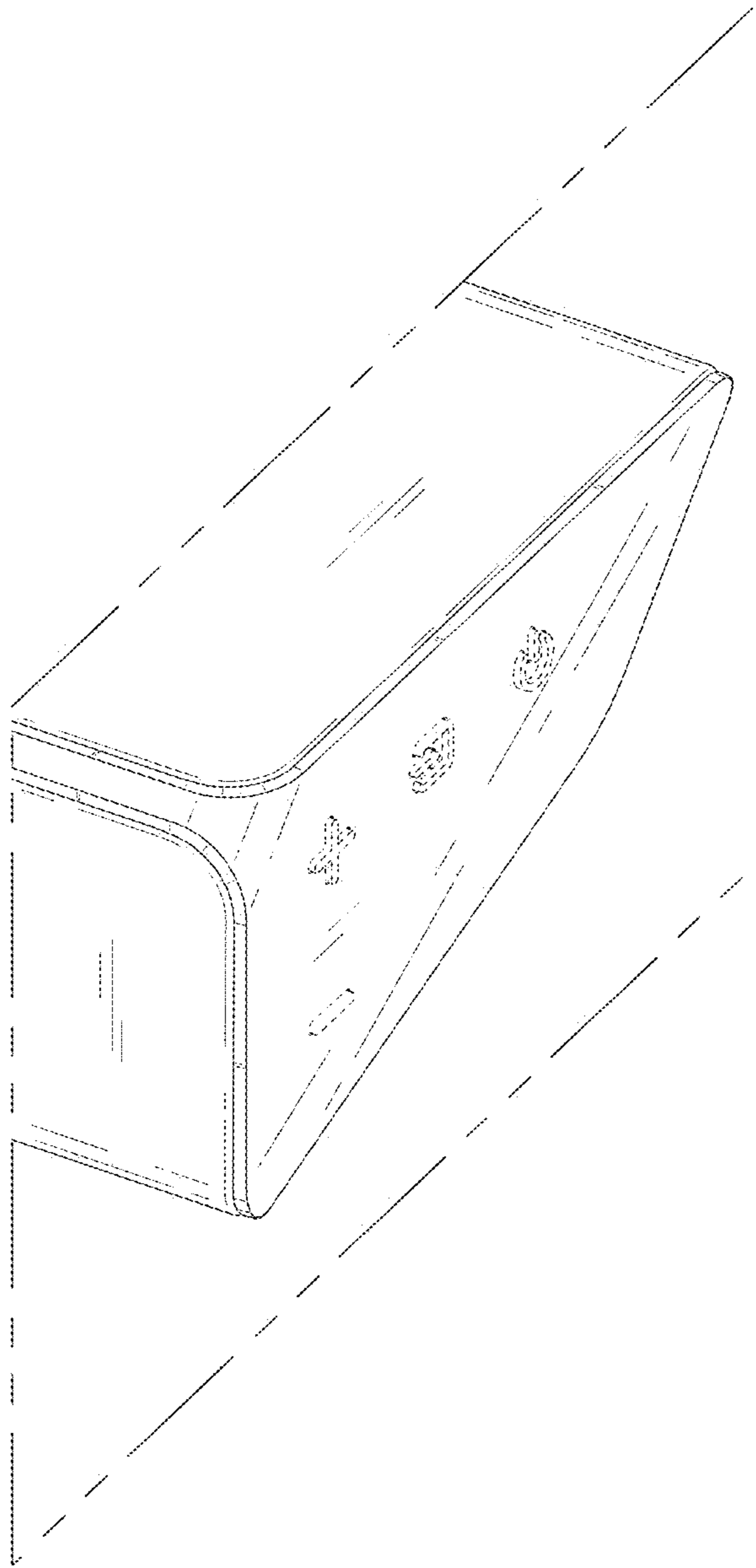


FIG. 10

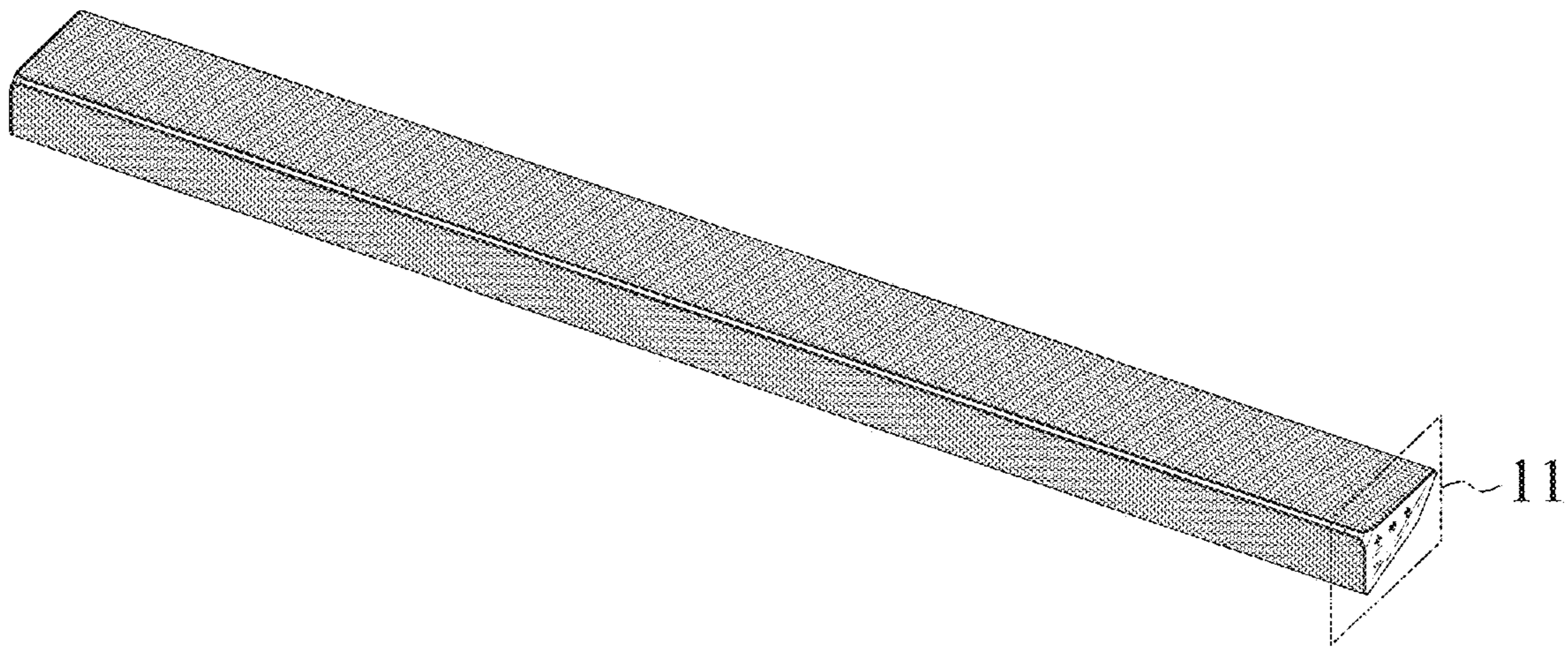


FIG. 11

