



US00D877116S

(12) **United States Design Patent**
Liu

(10) **Patent No.:** **US D877,116 S**
(45) **Date of Patent:** **** Mar. 3, 2020**

(54) **HEADPHONE**
(71) Applicant: **Suyun Liu, Jiangxi (CN)**
(72) Inventor: **Suyun Liu, Jiangxi (CN)**
(**) Term: **15 Years**
(21) Appl. No.: **29/660,592**
(22) Filed: **Aug. 21, 2018**
(51) **LOC (12) Cl.** **14-01**
(52) **U.S. Cl.**
USPC **D14/206; D14/226**
(58) **Field of Classification Search**
USPC D14/206, 205, 226; D29/112; 379/430,
379/431; 381/380, 381, 370, 374;
455/90.3, 575.1, 569.1; 2/209; 181/129,
181/130, 135
CPC H04R 25/00; H04R 1/1066; H04R 1/1016;
H04R 5/033; H04R 5/0335; H04R 25/02;
H04R 1/08; H04R 19/04; H04R 1/1091;
H04R 1/1058; G02B 27/017
See application file for complete search history.

(56) **References Cited**

U.S. PATENT DOCUMENTS

3,104,398 A * 9/1963 Palmaer A61F 11/14
2/209
D255,569 S * 6/1980 Lung D14/168
D299,337 S * 1/1989 Wiegel D14/206
4,987,592 A * 1/1991 Flagg H04M 1/05
379/430
D317,767 S * 6/1991 Banks D14/205
D326,855 S * 6/1992 Bose D14/205
5,138,722 A * 8/1992 Urella A61F 11/14
2/209
D333,137 S * 2/1993 Burke D14/206
5,185,807 A * 2/1993 Bergin H04R 1/1066
181/128
D345,981 S * 4/1994 Burke D14/206

5,793,878 A * 8/1998 Chang H04R 5/0335
381/370
D418,509 S * 1/2000 Zeitman D14/192
D430,140 S * 8/2000 Roman D14/205
D442,340 S * 5/2001 Leight D29/112
6,449,806 B1 * 9/2002 Engelhard H04M 1/05
2/209
D549,688 S * 8/2007 Suzuki D14/205
D592,639 S * 5/2009 Kuh D14/205
D625,703 S * 10/2010 Kolton D14/205
D634,731 S * 3/2011 Morisawa D14/205
D685,759 S * 7/2013 Kelly D14/205
D689,464 S * 9/2013 Bonahoom D14/206
D691,111 S * 10/2013 Lee D14/206
D693,327 S * 11/2013 Chiu D14/206
D697,896 S * 1/2014 Lee D14/205
D699,216 S * 2/2014 Bonahoom D14/205

(Continued)

FOREIGN PATENT DOCUMENTS

EM 005512548-0002 * 7/2018
EM 006632022-0001 * 7/2018

Primary Examiner — Paula Allen Greene

(74) *Attorney, Agent, or Firm* — Justin Lampel

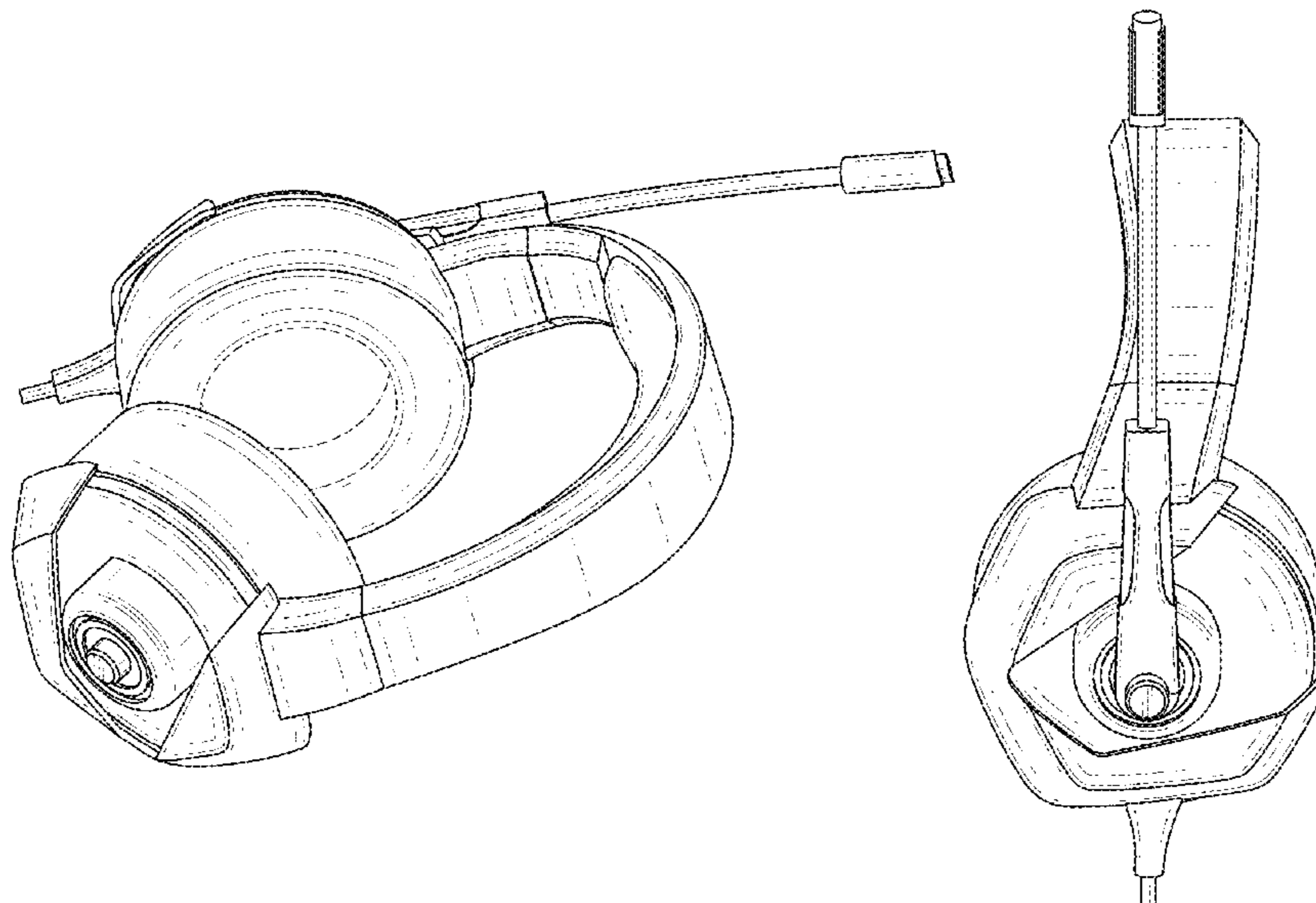
(57) **CLAIM**

The ornamental design for a headphone, as shown and described.

DESCRIPTION

FIG. 1 is a perspective view of a headphone showing my new design;
FIG. 2 is a front side view thereof;
FIG. 3 is a rear side view thereof;
FIG. 4 is a right side view thereof;
FIG. 5 is a left side view thereof;
FIG. 6 is a bottom plan view thereof; and,
FIG. 7 is a top plan view thereof.
The broken lines depict environment that forms no part of the claimed design.

1 Claim, 7 Drawing Sheets



(56)

References Cited

U.S. PATENT DOCUMENTS

D713,375 S *	9/2014	Dedinas	D14/206	D851,063 S *	6/2019	Deng	D14/206
D716,762 S *	11/2014	Greve	D14/206	D852,166 S *	6/2019	Levine	D14/205
D722,997 S *	2/2015	Lee	D14/205	D853,988 S *	7/2019	Wang	D14/206
9,036,849 B2 *	5/2015	Thompson	H04R 1/083 381/122	D855,033 S *	7/2019	Martin	D14/205
D733,677 S *	7/2015	Ling	D14/206	D856,968 S *	8/2019	Tang	D14/206
D734,736 S *	7/2015	Jin	D14/206	D856,969 S *	8/2019	Tang	D14/206
D740,256 S *	10/2015	Carr	D14/206	D856,970 S *	8/2019	Tang	D14/206
D741,286 S *	10/2015	Brennwald	D14/205	D856,971 S *	8/2019	Tang	D14/206
D745,860 S *	12/2015	Logan	D14/206	D857,656 S *	8/2019	Ipsen	D14/206
D746,793 S *	1/2016	Logan	D14/206	D857,657 S *	8/2019	Skinner	D14/206
D790,506 S *	6/2017	Broadley	D14/206	D866,515 S *	11/2019	Long	D14/206
D791,734 S *	7/2017	Ou	D14/206	D868,734 S *	12/2019	Wang	D14/206
D797,075 S *	9/2017	Mauro	D14/205	D870,696 S *	12/2019	Deng	D14/206
D808,359 S *	1/2018	Meyer	D14/205	D870,698 S *	12/2019	Long	D14/206
D820,813 S *	6/2018	Sharp	D14/206	2001/0017925 A1 *	8/2001	Ceravolo	H04M 1/05 381/370
D824,362 S *	7/2018	Probst	D14/206	2010/0040252 A1 *	2/2010	Thompson	H04R 1/083 381/375
D826,900 S *	8/2018	Jensen	D14/206	2011/0194721 A1 *	8/2011	Schmidt	H04R 1/1066 381/370
D841,620 S *	2/2019	Liu	D14/206	2017/0019728 A1 *	1/2017	Cochran	H04R 5/0335

* cited by examiner

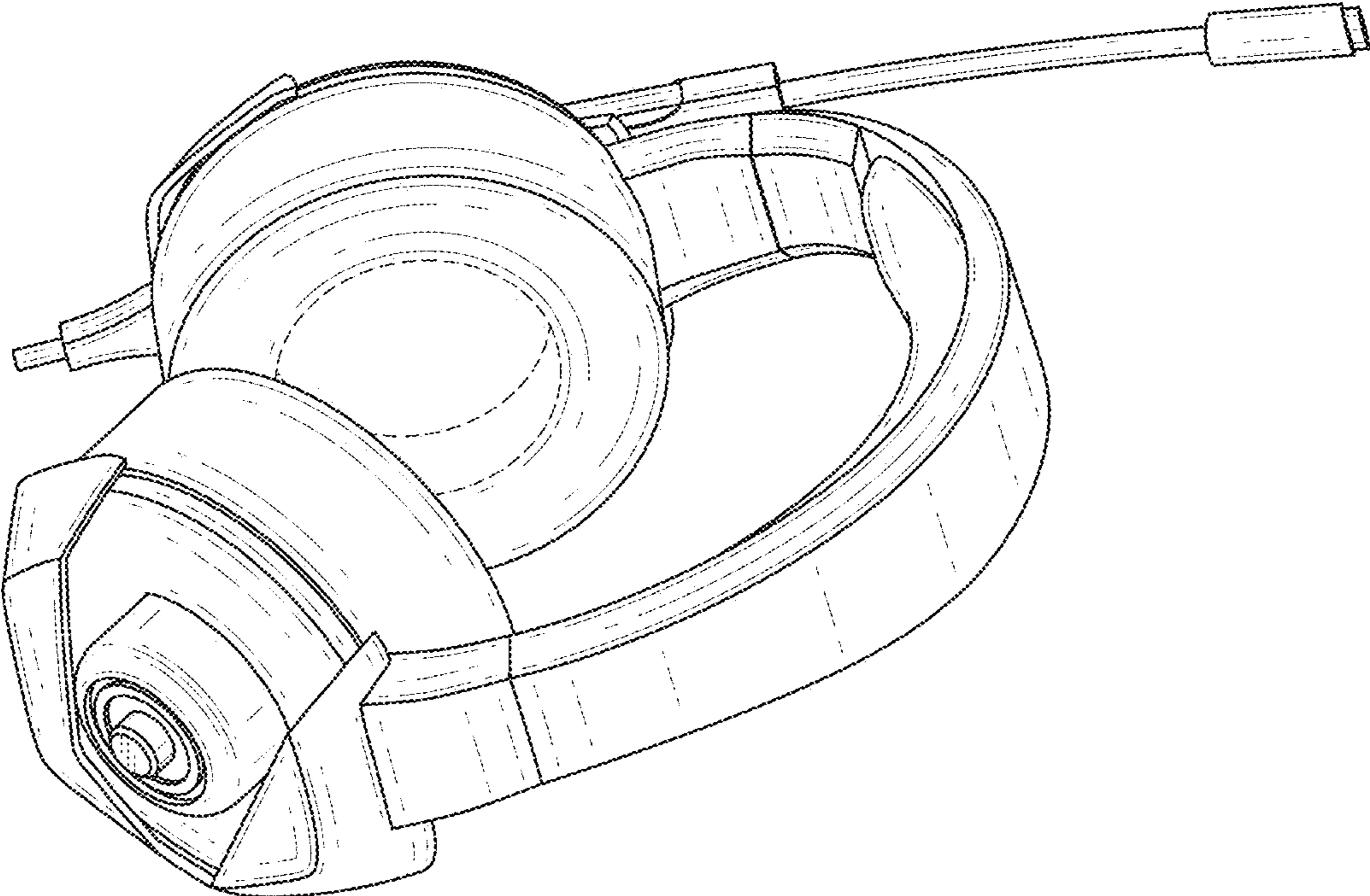


FIG. 1

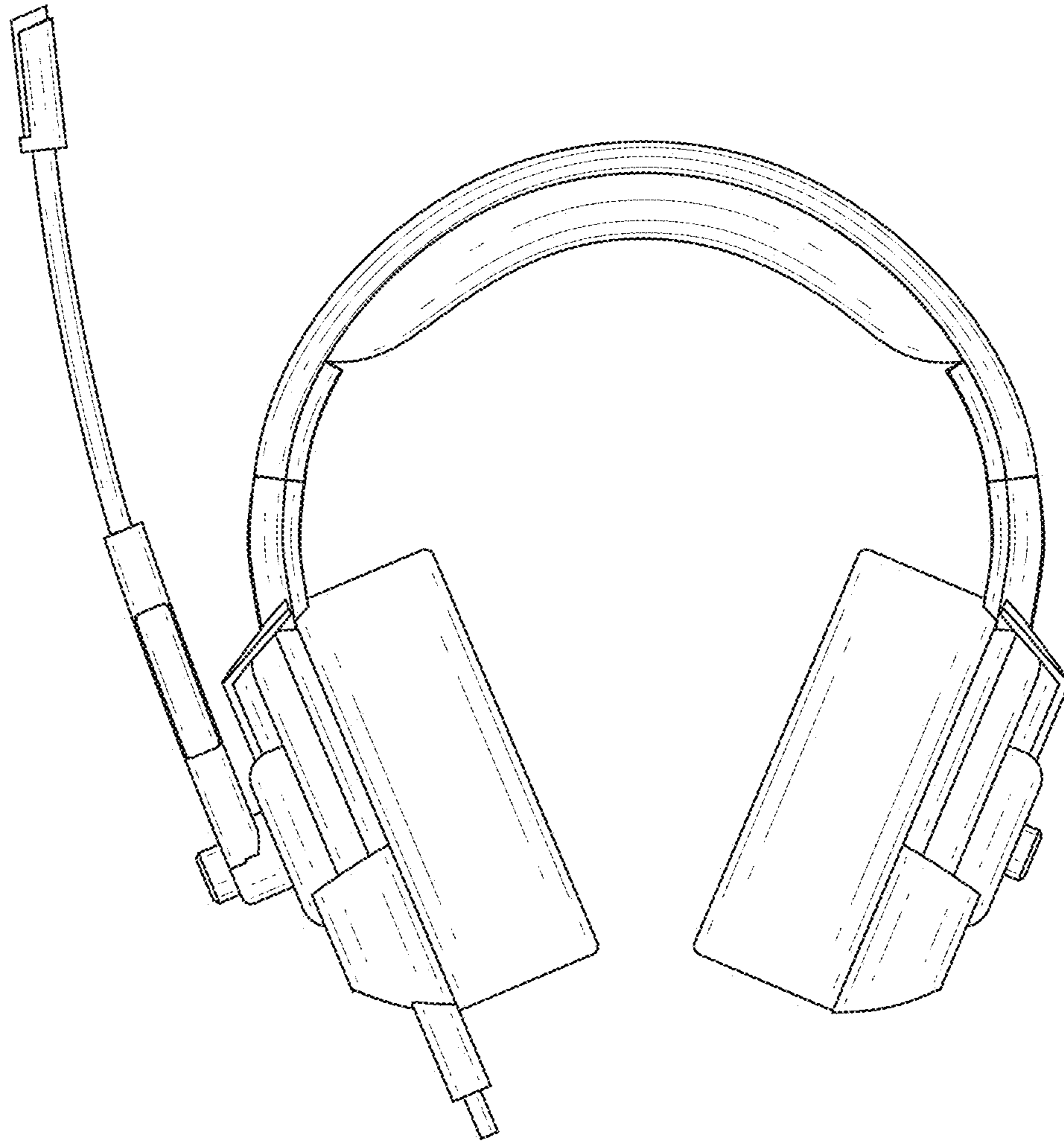


FIG. 2



FIG. 3

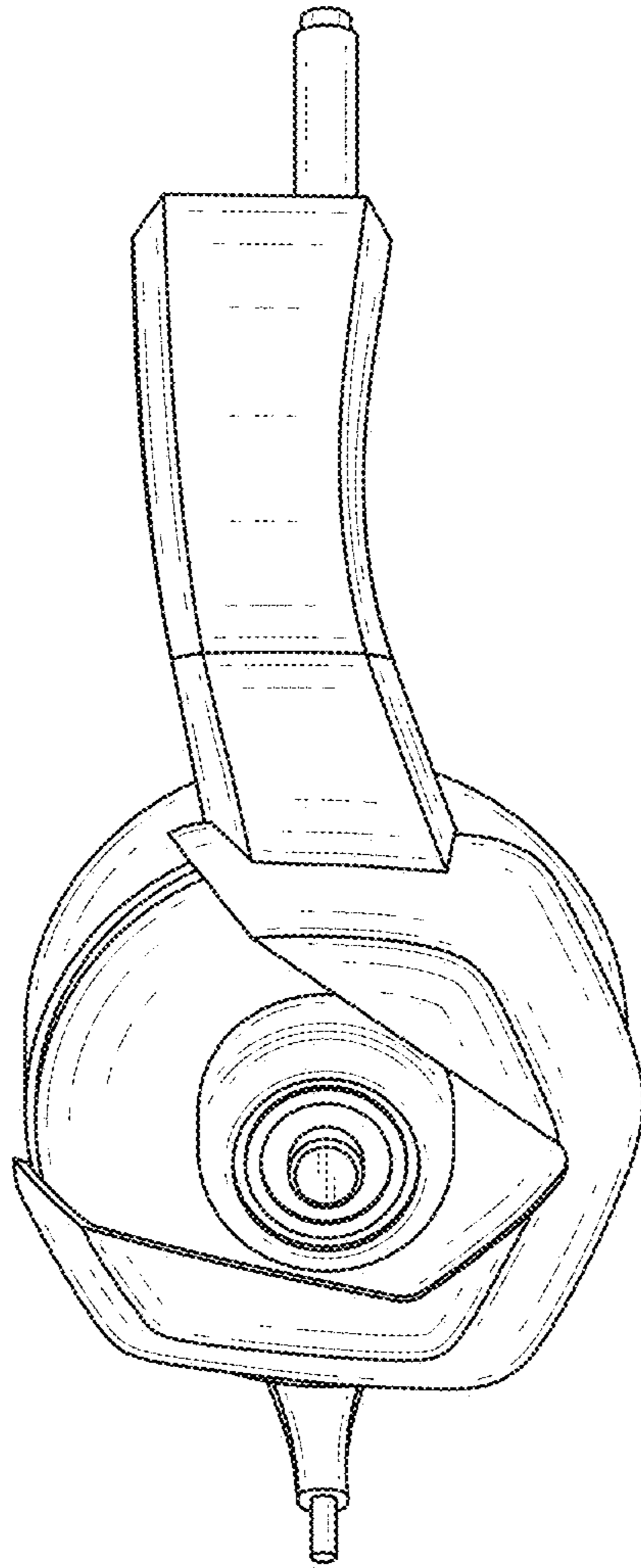


FIG. 4

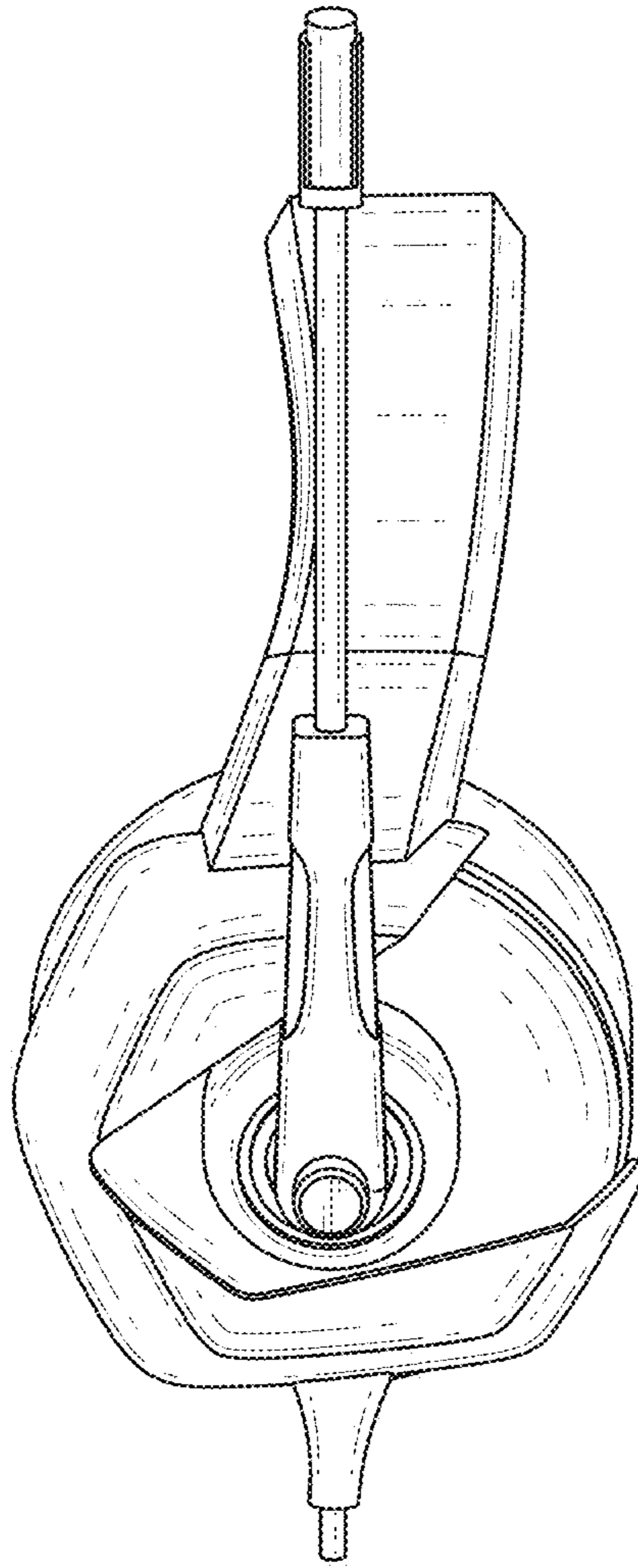


FIG. 5

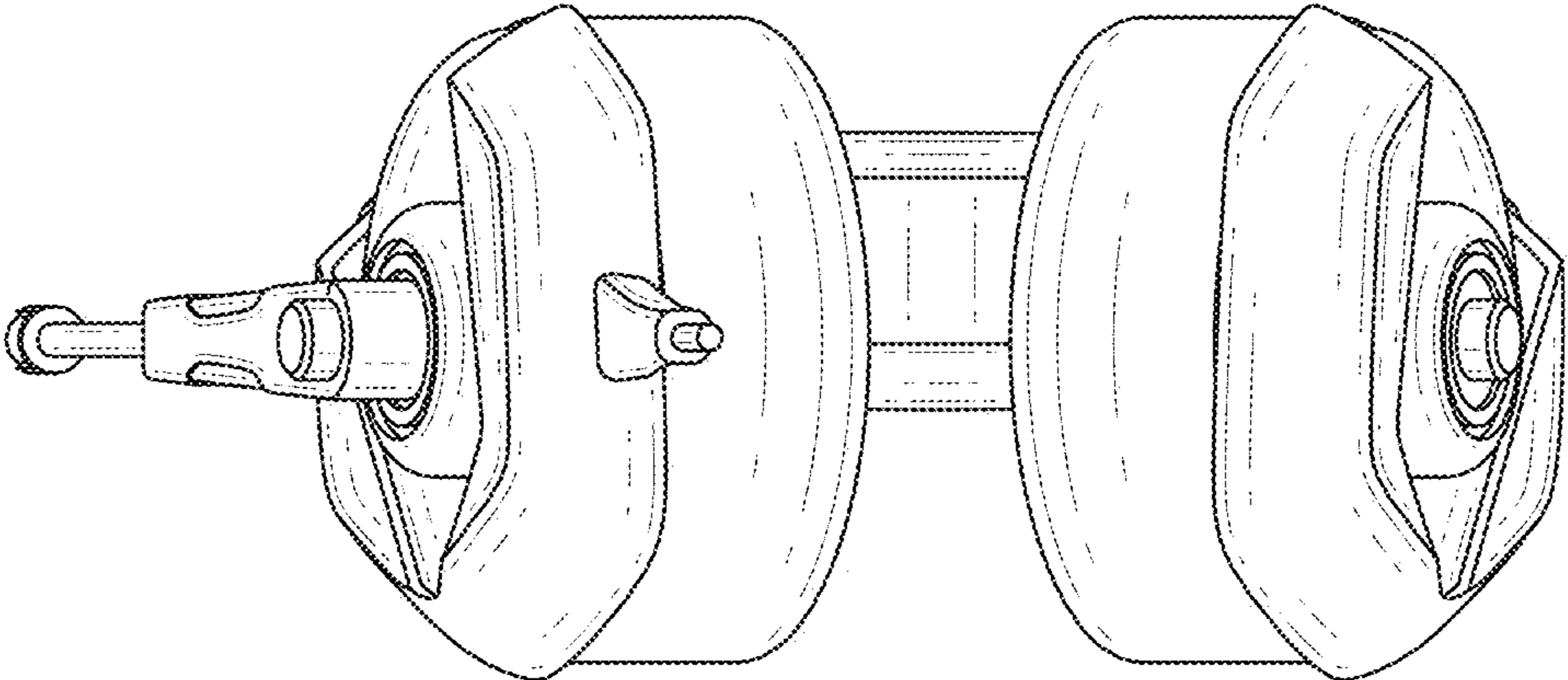


FIG. 6

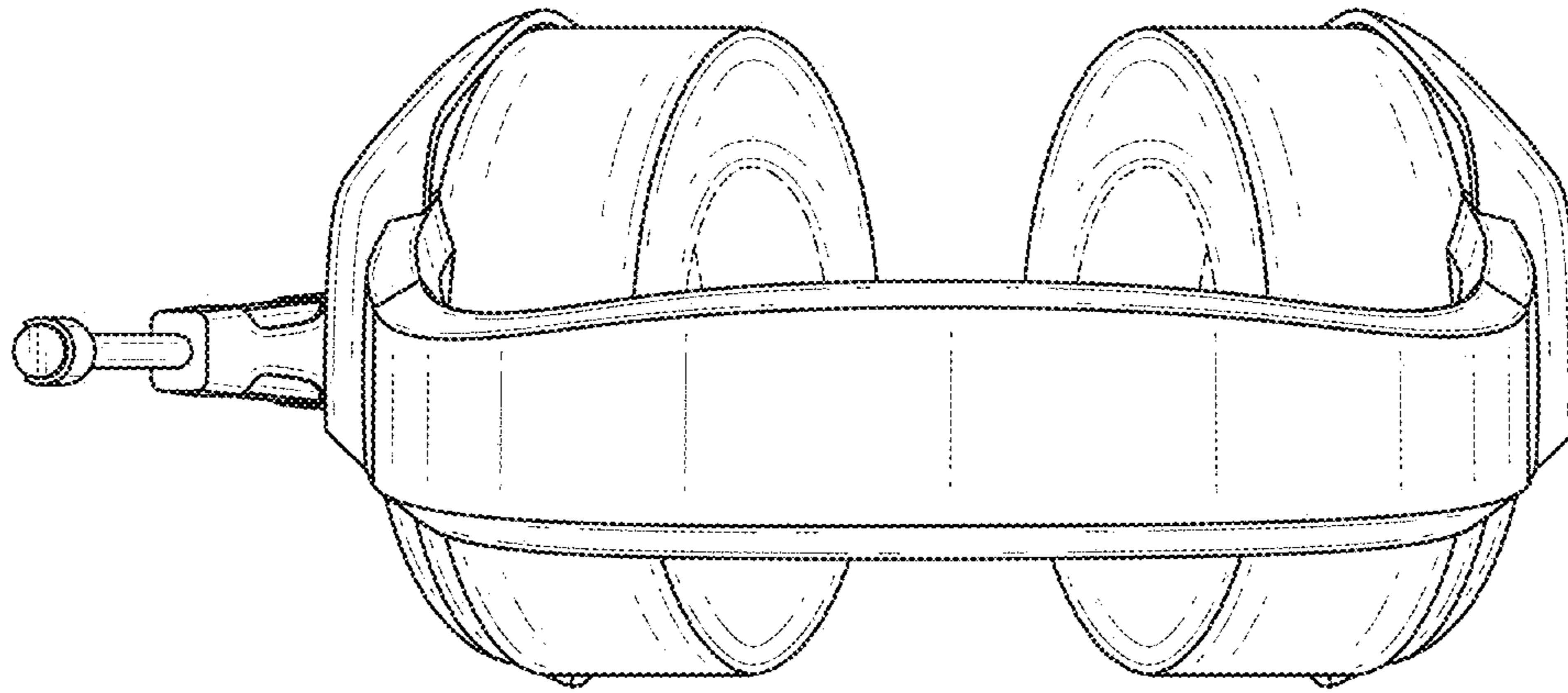


FIG. 7