



US00D877115S

(12) **United States Design Patent**
Kelley

(10) **Patent No.:** **US D877,115 S**

(45) **Date of Patent:** **** Mar. 3, 2020**

(54) **COMMUNICATIONS HEADSET**

(71) Applicant: **Plantronics, Inc.**, Santa Cruz, CA (US)

(72) Inventor: **John A. Kelley**, Santa Cruz, CA (US)

(73) Assignee: **Plantronics, Inc.**, Santa Cruz, CA (US)

(**) Term: **15 Years**

(21) Appl. No.: **29/663,286**

(22) Filed: **Sep. 13, 2018**

(51) **LOC (12) Cl.** **14-01**

(52) **U.S. Cl.**

USPC **D14/205**

(58) **Field of Classification Search**

USPC D14/205, 223, 188, 192; D29/112;
2/209; 181/129, 130, 135; 379/430, 431;
381/380, 381, 374; 455/90.3, 575.1,
455/569.1

CPC H04R 25/00; H04R 25/02; H04R 1/1066;
H04R 1/1016; H04R 5/033; H04R 5/0335

See application file for complete search history.

(56) **References Cited**

U.S. PATENT DOCUMENTS

- D453,015 S * 1/2002 Yuyama D14/192
- 6,392,196 B1 * 5/2002 Lin A61F 11/14
2/209
- D484,485 S 12/2003 Matsuoka
- D491,163 S * 6/2004 Green D14/205
- D504,414 S * 4/2005 Yoshida D14/192
- 7,020,902 B1 * 4/2006 Tyler A61F 11/14
2/209
- D534,156 S * 12/2006 Obata D14/205
- D594,847 S * 6/2009 Suzuki D14/205
- D603,370 S * 11/2009 Suzuki D14/205
- D632,668 S * 2/2011 Brunner D14/205
- D637,176 S * 5/2011 Brunner D14/205
- D642,554 S * 8/2011 Schaal D14/205
- 8,006,320 B1 * 8/2011 Rohbani A61F 11/14
128/866

- D657,776 S * 4/2012 Lee D14/205
- D662,080 S * 6/2012 Carr D14/205
- D663,900 S * 7/2012 Karlsson A61F 11/14
D29/112
- D664,117 S * 7/2012 Tappeiner D14/205
- 8,295,529 B2 * 10/2012 Petersen H04R 1/083
381/371
- D683,717 S * 6/2013 Kelly D14/205
- D684,559 S * 6/2013 Groset D14/205

(Continued)

FOREIGN PATENT DOCUMENTS

- KR 30-07888910000 S 3/2015
- KR 30-08339890000 S 1/2016
- TW D159648 S 4/2014

OTHER PUBLICATIONS

Taiwan IPO Search report issued in Taiwan Design Patent Application No. 108301395, completed on Sep. 7, 2019 and English translation thereof (2 pages).

Primary Examiner — Paula Allen Greene

(57) **CLAIM**

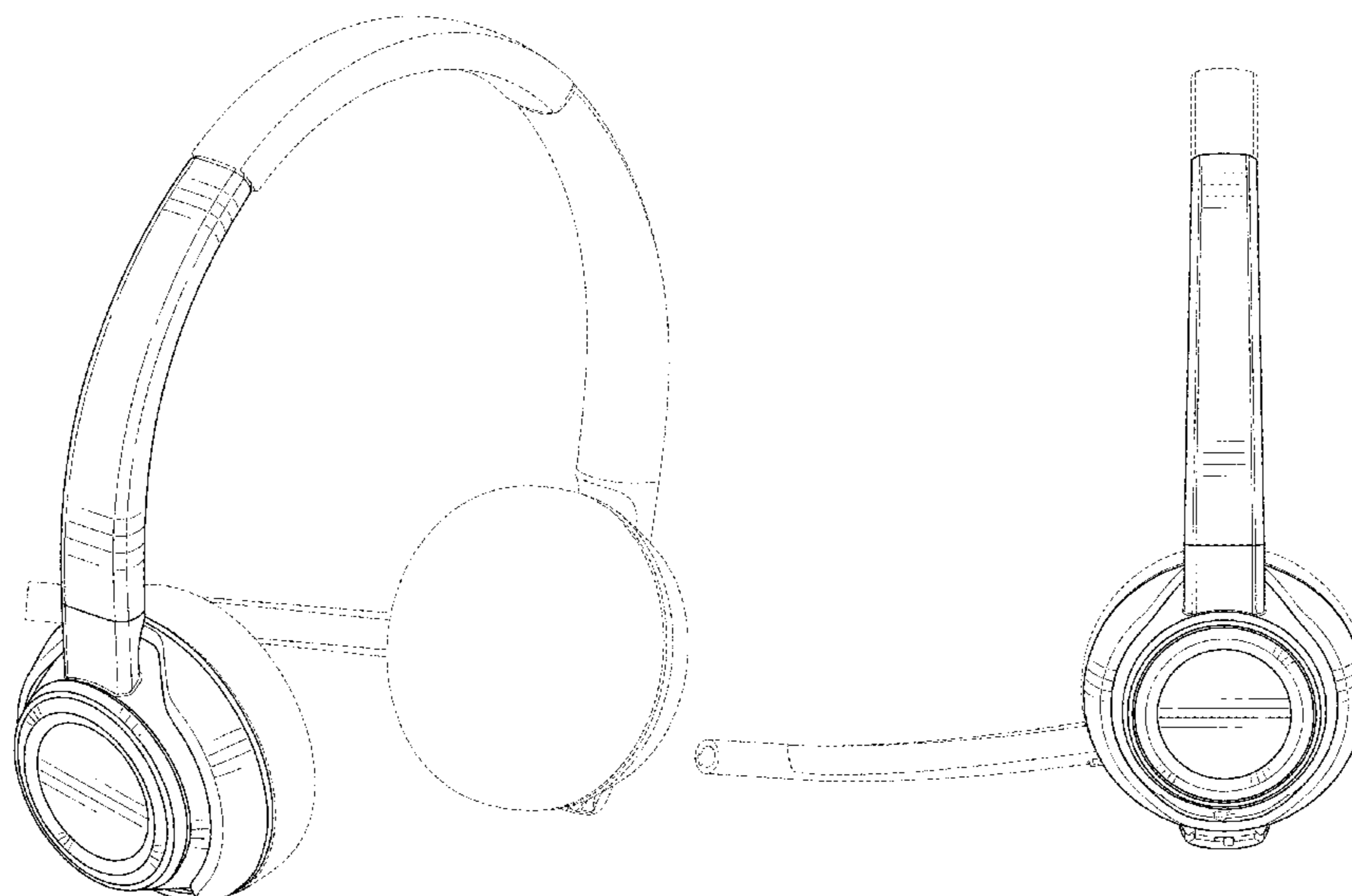
The ornamental design for a communications headset, as shown and described.

DESCRIPTION

FIG. 1 is a front-right perspective view of a communications headset showing my new design;
 FIG. 2 is a back-left perspective view thereof;
 FIG. 3 is a front view thereof;
 FIG. 4 is a back view thereof;
 FIG. 5 is a right side view thereof;
 FIG. 6 is a left side view thereof;
 FIG. 7 is a top view thereof; and,
 FIG. 8 is a bottom view thereof.

The broken lines showing the unclaimed features form no part of the claimed design.

1 Claim, 8 Drawing Sheets



(56)

References Cited

U.S. PATENT DOCUMENTS

D691,984 S * 10/2013 Wang D14/205
8,565,468 B2 * 10/2013 Ito H04R 1/105
381/370
D693,791 S * 11/2013 Troy D14/205
D697,897 S * 1/2014 Lee D14/205
D712,871 S * 9/2014 McNamara D14/205
D713,384 S * 9/2014 McNamara D14/205
D716,255 S * 10/2014 Cho D14/205
D719,135 S * 12/2014 Kelley D14/205
D719,136 S * 12/2014 Schaal D14/205
D722,590 S * 2/2015 Lu D14/205
D723,507 S * 3/2015 Zambelli D14/205
D725,629 S * 3/2015 Kiuchi D14/205
D725,630 S * 3/2015 Nakagawa D14/205
D734,296 S * 7/2015 Paterson D14/205
D736,176 S * 8/2015 Rapitsch D14/205
D738,350 S * 9/2015 Brunner D14/205

D739,842 S * 9/2015 Birger D14/205
D742,357 S * 11/2015 Chung D14/205
D750,041 S * 2/2016 Birger D14/205
9,426,554 B2 * 8/2016 Dai H04R 1/105
D787,469 S * 5/2017 Djohar D14/205
D794,602 S * 8/2017 Riggs D14/205
D796,475 S * 9/2017 Wang D14/205
D796,478 S * 9/2017 Minn D14/205
D809,478 S * 2/2018 Arimoto D14/205
D810,718 S * 2/2018 Galler D14/205
D813,194 S * 3/2018 Loh D14/205
D813,837 S * 3/2018 Paterson D14/205
D843,967 S * 3/2019 Paterson D14/205
D848,395 S * 5/2019 Kelley D14/205
2003/0034198 A1 * 2/2003 Cushman A61F 11/14
181/129
2012/0328119 A1 * 12/2012 Heise H04R 1/1066
381/74
2015/0117693 A1 * 4/2015 Akino H04R 1/1008
381/370

* cited by examiner



FIG. 1

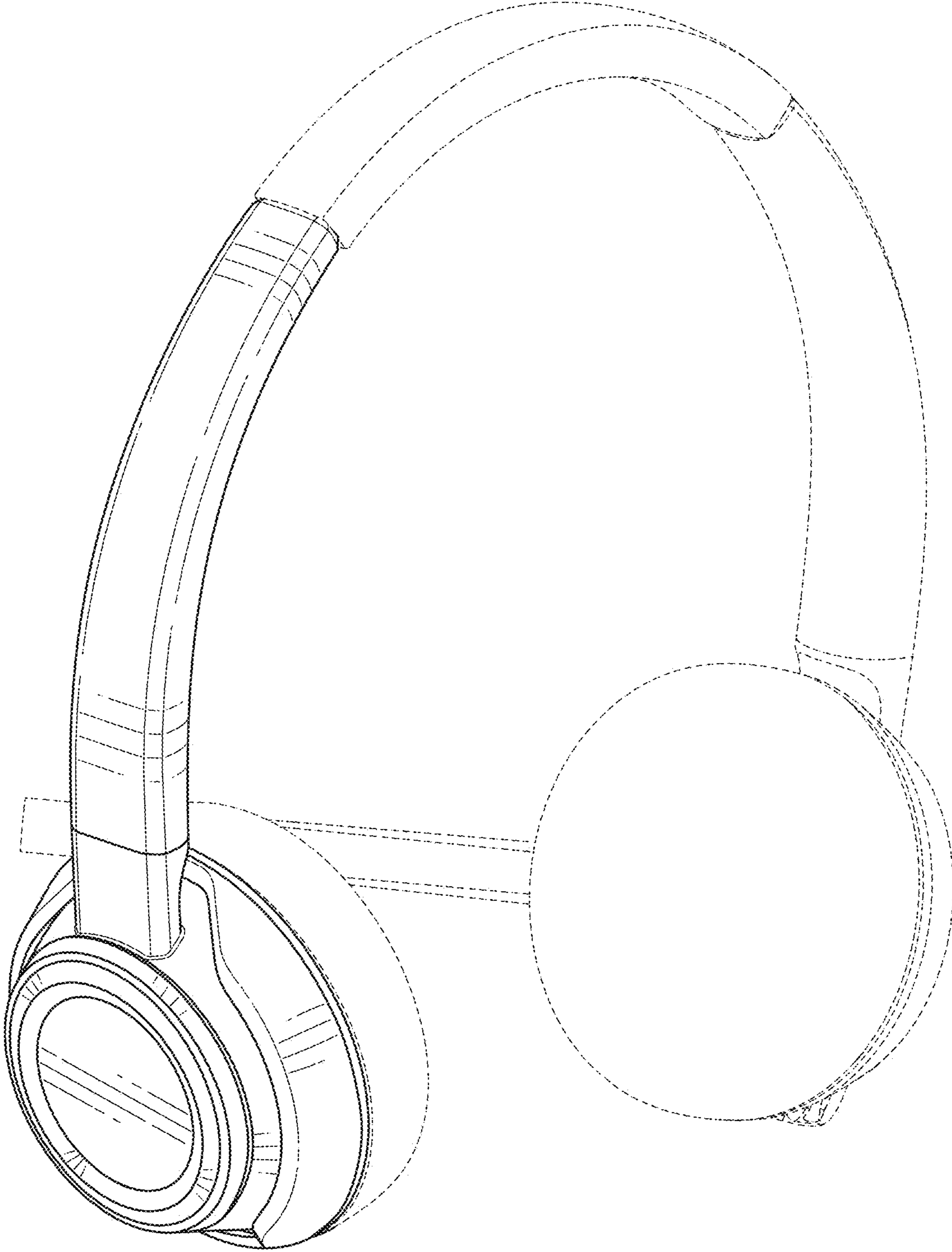


FIG. 2

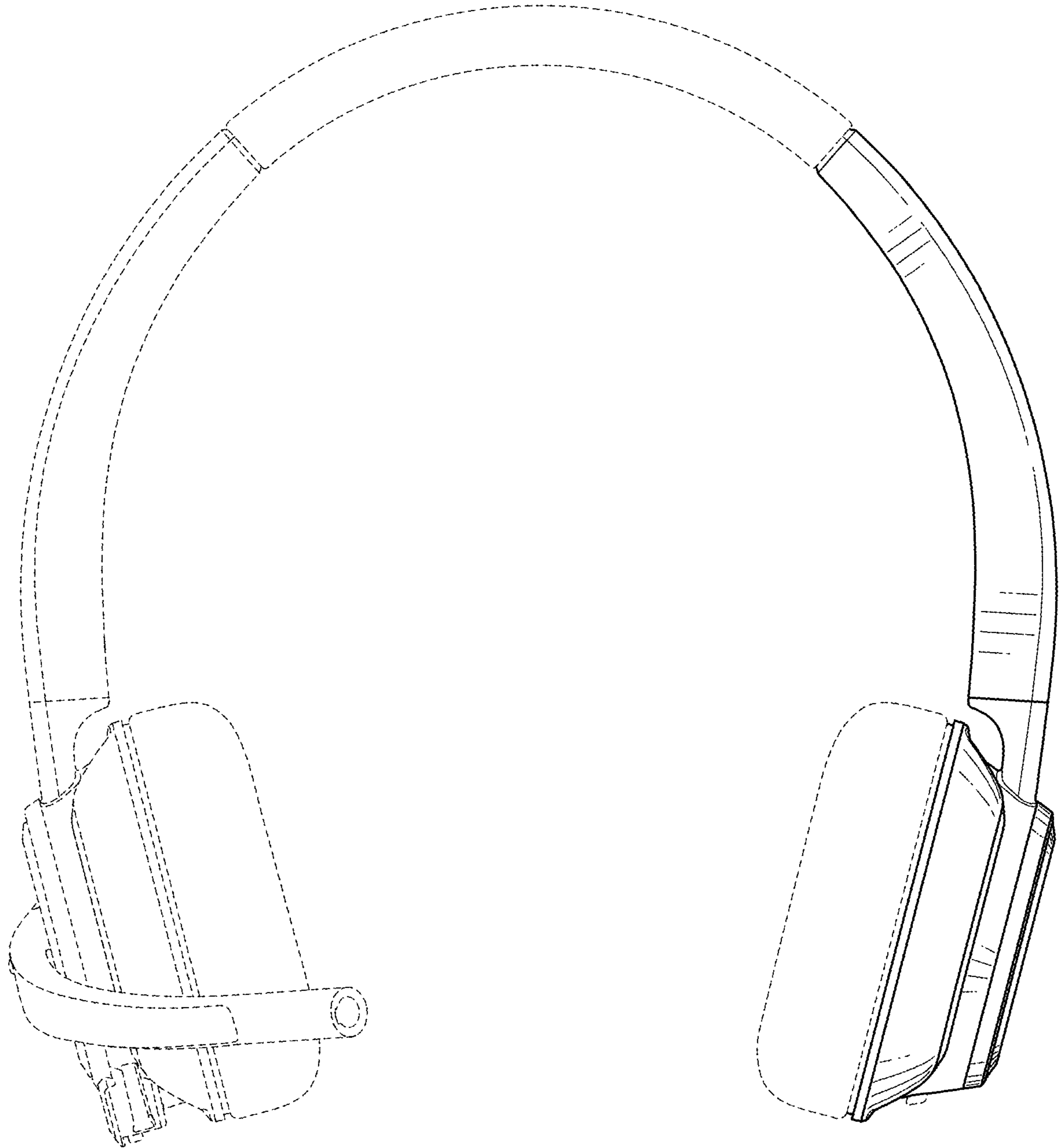


FIG. 3



FIG. 4

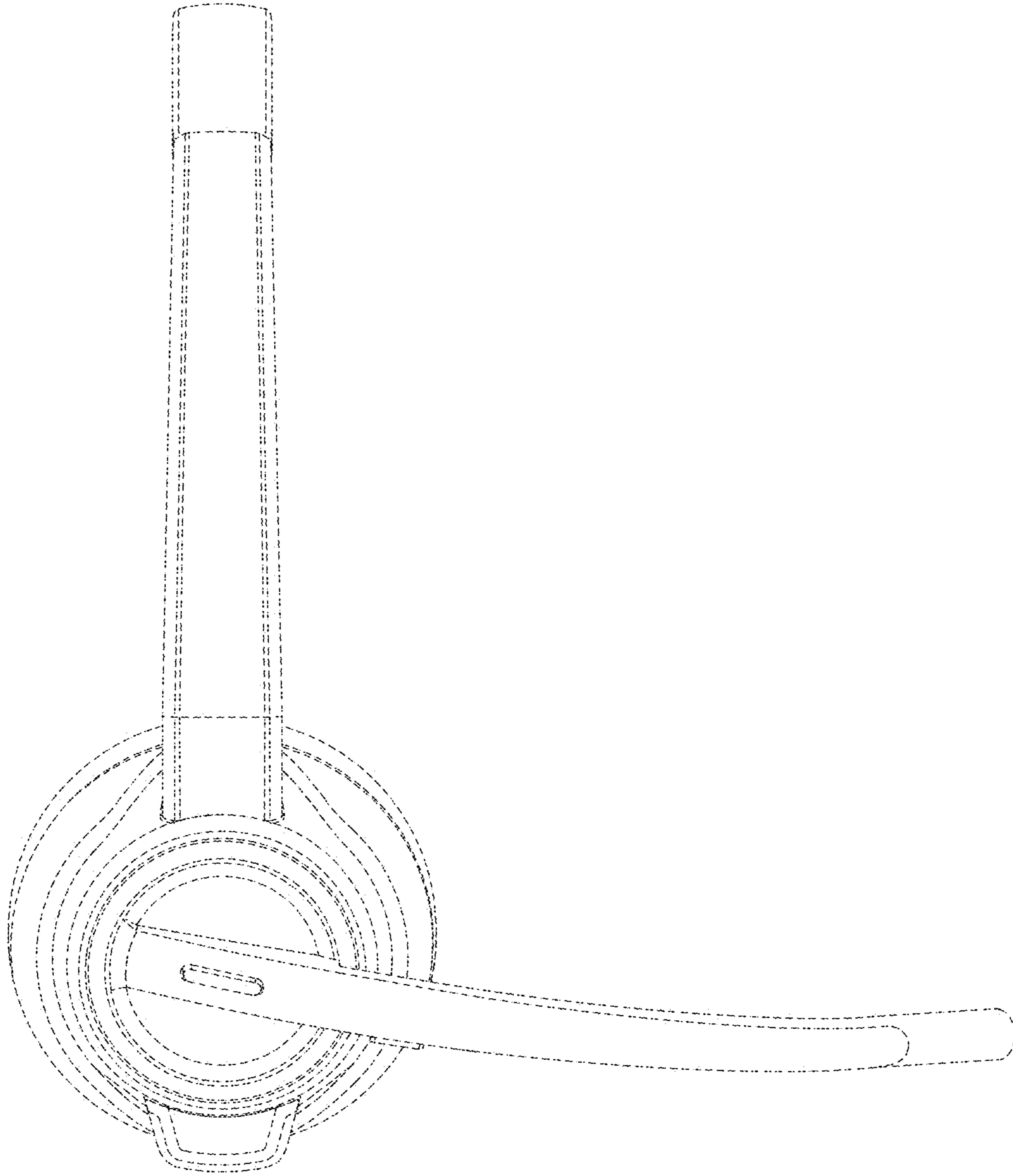


FIG. 5

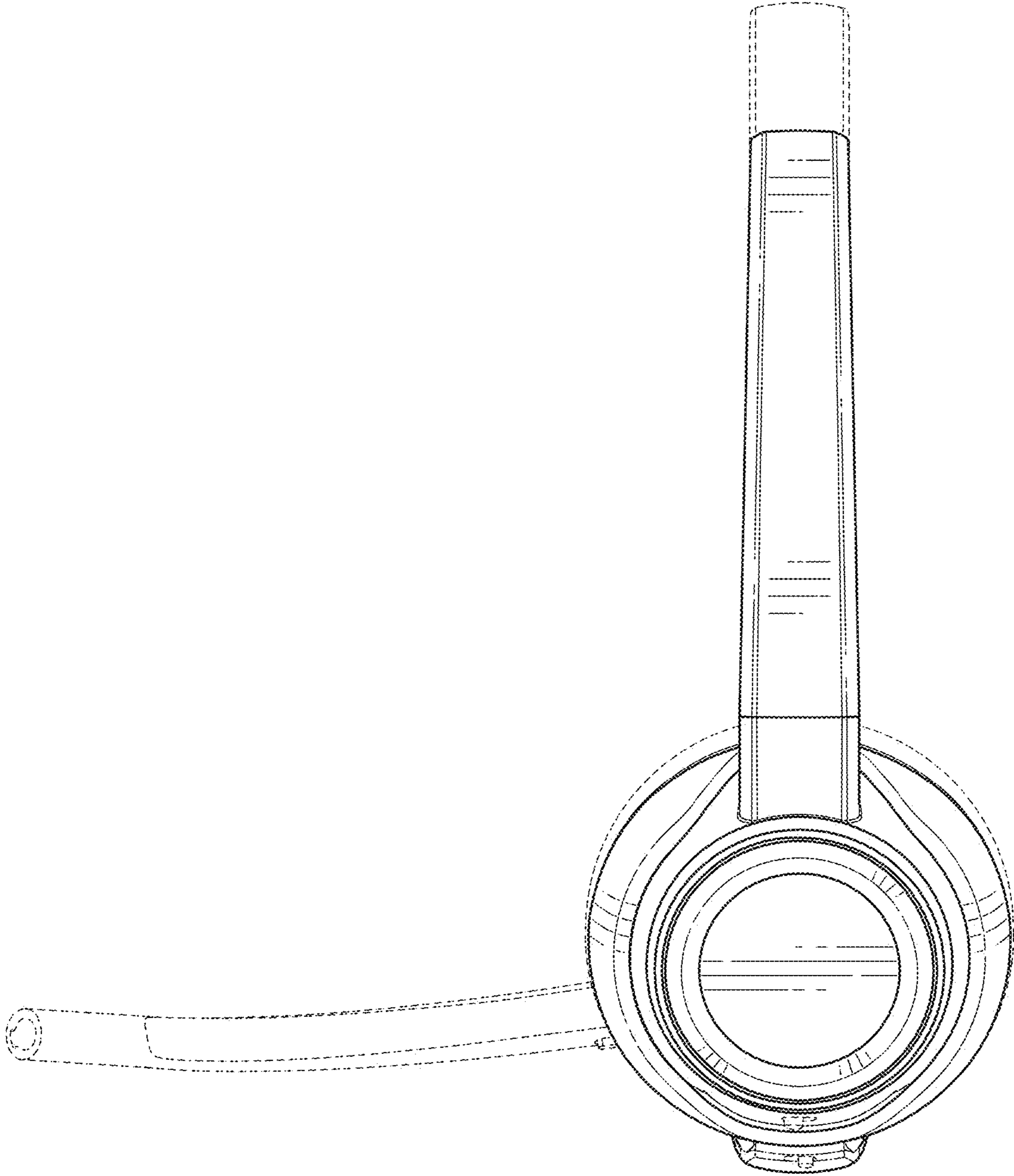


FIG. 6

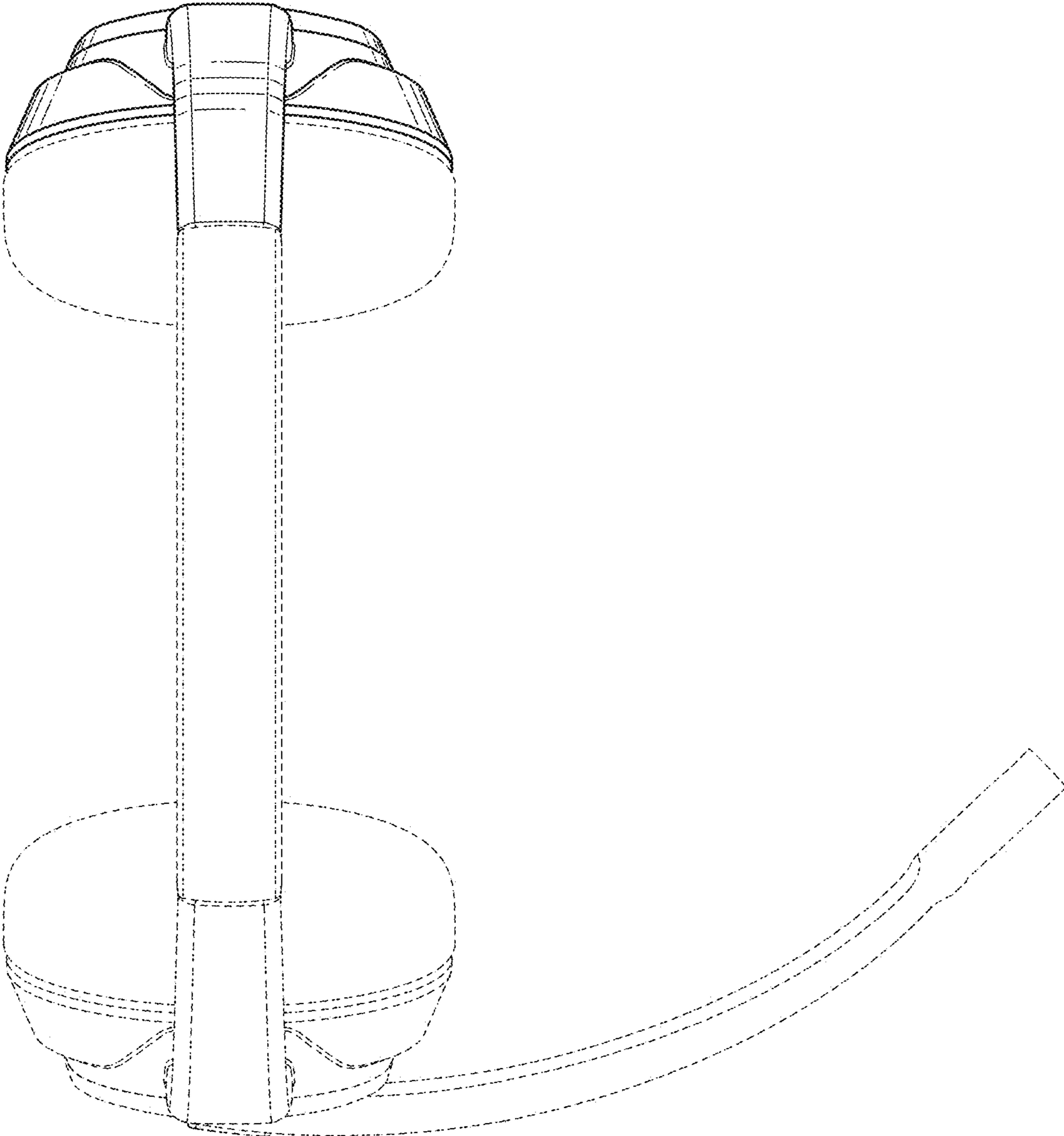


FIG. 7

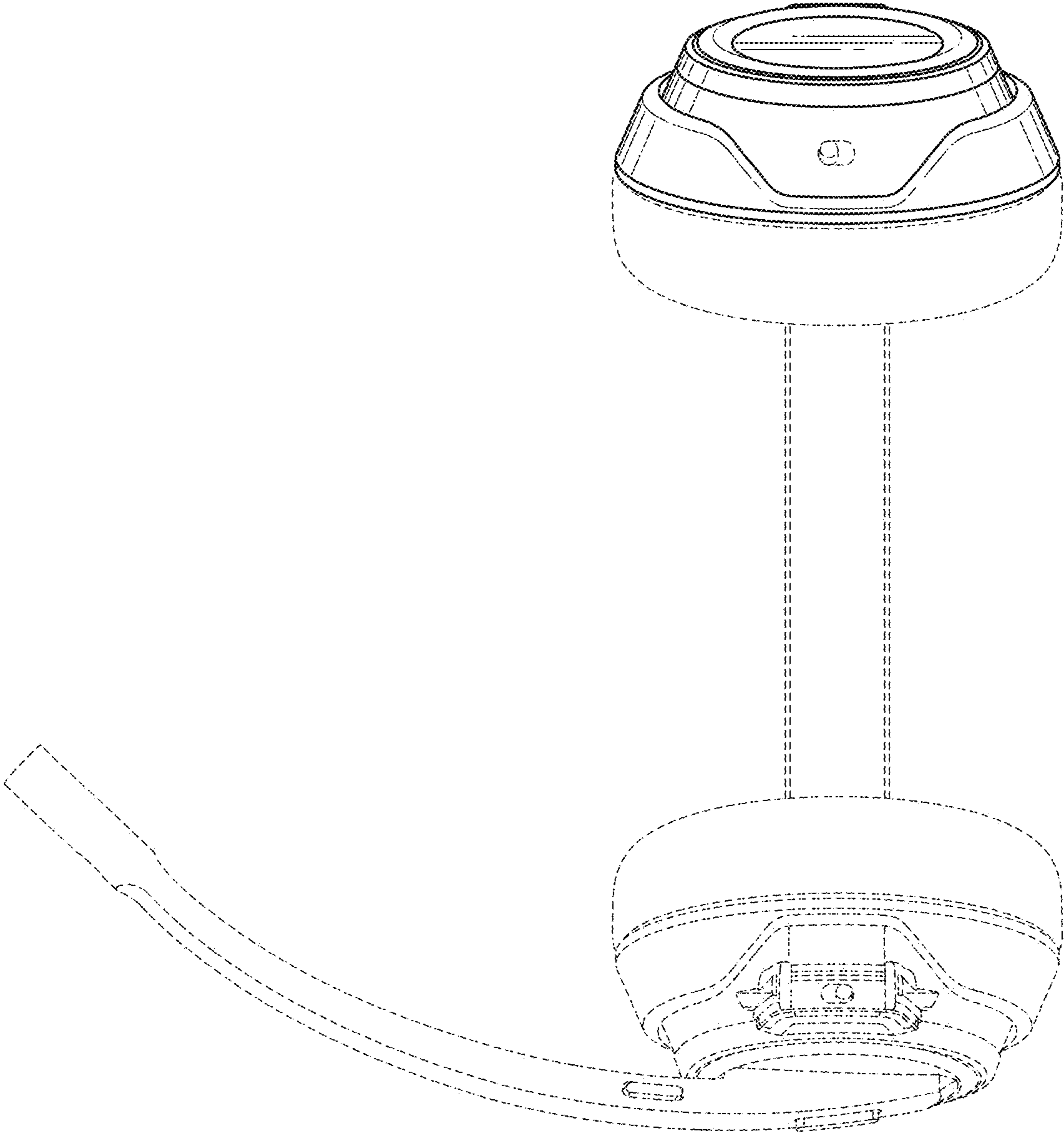


FIG. 8