



US00D877114S

(12) **United States Design Patent**
Lindenberger

(10) **Patent No.:** **US D877,114 S**
(45) **Date of Patent:** **** Mar. 3, 2020**

(54) **HEADPHONE**

4,459,707 A 7/1984 Stallings
4,689,822 A 8/1987 Houng
5,018,599 A 5/1991 Dohi et al.
(Continued)

(71) Applicant: **Harman International Industries, Incorporated**, Northridge, CA (US)

(72) Inventor: **Laurent Lindenberger**, Shenzhen (CN)

(73) Assignee: **Harman International Industries, Incorporated**, Northridge, CA (US)

(**) Term: **15 Years**

(21) Appl. No.: **29/631,227**

(22) Filed: **Dec. 28, 2017**

(51) **LOC (12) Cl.** **14-01**

(52) **U.S. Cl.**
USPC **D14/205**

(58) **Field of Classification Search**
USPC D14/203.1, 204–206, 208–210, 212, 213, D14/214–217, 219, 221, 222, 223–225, D14/249, 372, 433, 138 R, 182, 188, D14/191–194, 172, 496; D29/112; D12/195, 192, 204; D2/875; D24/173–175, 106; D3/294, 273; D13/108
CPC H04R 25/02; H04R 25/00; H04R 1/10; H04R 1/1016; H04R 1/105; H04R 1/1083; H04R 1/02; H04R 1/1041; H04R 5/033; H04R 7/00; H04R 2420/07; H04R 2430/01; H04R 25/65; H04R 25/656; H04R 25/658; H04R 27/00; H04R 2205/021; H04R 1/28; H04R 1/05; H04R 5/0335; A61F 11/00; A61F 11/06; A61F 11/08; A61F 11/12; A61F 11/14
See application file for complete search history.

(56) **References Cited**

U.S. PATENT DOCUMENTS

3,787,899 A 1/1974 Krawagna
D246,519 S 11/1977 Kato
D270,634 S 9/1983 Ungar

FOREIGN PATENT DOCUMENTS

CN 303738743 * 7/2016
CN 303978500 12/2016
(Continued)

OTHER PUBLICATIONS

ATH-MSR7SE, no. date available [online], [retrieved Apr. 8, 2019], Available from Internet, URL: <http://eu.audio-technica.com/ATH-MSR7SE*>

(Continued)

Primary Examiner — Barbara Fox
Assistant Examiner — Mary Claire Ramirez
(74) *Attorney, Agent, or Firm* — Plumsea Law Group, LLC

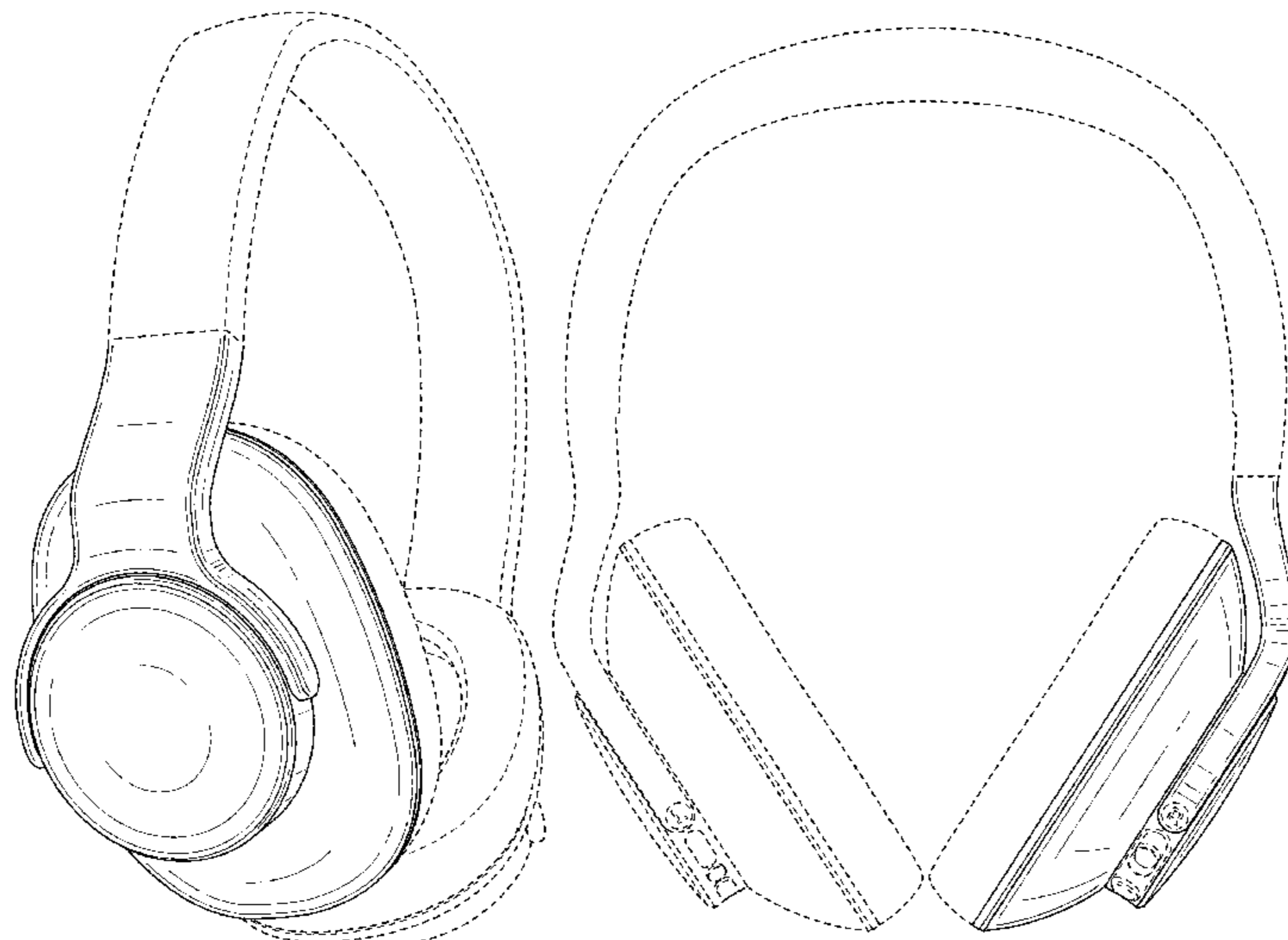
(57) **CLAIM**

The ornamental design for a headphone, as shown and described.

DESCRIPTION

FIG. 1 is a perspective view of a headphone showing the new design;
FIG. 2 is a front elevational view thereof;
FIG. 3 is a rear elevational view thereof;
FIG. 4 is an exterior side elevational view thereof;
FIG. 5 is a bottom view thereof;
FIG. 6 is a top view thereof; and,
FIG. 7 is an interior side elevational view thereof, viewed from line 7-7 in FIG. 6.
The claim encompasses the mirror image embodiment thereof.
The broken lines shown in the drawings depict portions of the headphone that form no part of the claimed design.

1 Claim, 6 Drawing Sheets



(56)

References Cited

U.S. PATENT DOCUMENTS

5,035,005 A	7/1991	Hung		D758,338 S *	6/2016	Szymanski	D14/205
D345,163 S	3/1994	Yamatogi		D759,626 S	6/2016	Wagner	
D351,172 S	10/1994	Nakamura et al.		D760,687 S	7/2016	Brunner et al.	
D358,389 S	5/1995	Isono		D761,761 S	7/2016	Ando et al.	
5,793,878 A	8/1998	Chang		D763,223 S	8/2016	Czaniecki	
5,862,241 A	1/1999	Nelson		D765,055 S	8/2016	Hsieh et al.	
D405,449 S	2/1999	Nakamura et al.		D766,870 S	9/2016	Catalano et al.	
D410,466 S	6/1999	Mouri		D767,531 S *	9/2016	Szymanski	D14/205
6,006,115 A	12/1999	Wingate		D769,842 S *	10/2016	Rouffiat	D14/205
D420,356 S	2/2000	Suzuki		D775,605 S *	1/2017	Lee	D14/205
D435,249 S	12/2000	Yasutomi		D777,701 S	1/2017	Czaniecki	
6,263,085 B1	7/2001	Weller		D780,713 S *	3/2017	Szymanski	D14/205
D457,874 S	5/2002	Yoneda		D782,999 S *	4/2017	Spio	D14/206
D467,580 S	12/2002	Mori		D784,956 S	4/2017	Homewood	
D484,485 S	12/2003	Matsuoka		D784,957 S *	4/2017	Hsieh	D14/205
6,654,966 B2	12/2003	Rolla		D787,470 S *	5/2017	Kelly	D14/205
6,980,165 B2	12/2005	Yuasa et al.		D789,327 S	6/2017	Miyake et al.	
D519,497 S	4/2006	Komiyama		D791,103 S	7/2017	Brunner et al.	
D534,155 S	12/2006	Obata		D791,733 S	7/2017	Brunner et al.	
D541,257 S	4/2007	Thursfield		D800,691 S	10/2017	Ando et al.	
D567,215 S	4/2008	Lee		D806,685 S	1/2018	Park	
7,388,960 B2	6/2008	Kuo et al.		D811,364 S	2/2018	Park	
D588,100 S	3/2009	Densho et al.		D811,365 S *	2/2018	Czaniecki	D14/205
D593,995 S	6/2009	Shimizu		D813,197 S	3/2018	Katsuno	
D625,705 S	10/2010	Ohuri et al.		D814,440 S	4/2018	Hardi	
D634,732 S	3/2011	Kondo et al.		D815,060 S *	4/2018	Ando	D14/205
D635,958 S *	4/2011	Ando	D14/205	D816,061 S *	4/2018	Ando	D14/205
D637,176 S	5/2011	Brunner et al.		D822,635 S *	7/2018	Ando	D14/205
D637,579 S *	5/2011	Hamaura	D14/205	D826,208 S *	8/2018	Czaniecki	D14/205
D642,554 S	8/2011	Schaal et al.		D826,209 S	8/2018	Homewood	
D657,344 S	4/2012	Brunner et al.		D826,210 S *	8/2018	Chong	D14/205
D657,346 S	4/2012	Park		D826,897 S	8/2018	Wang	
D662,078 S	6/2012	Leung		D827,607 S *	9/2018	Ando	D14/205
D662,080 S	6/2012	Carr et al.		D828,326 S *	9/2018	Ye	D14/205
D662,490 S	6/2012	McSweyn		D834,260 S	11/2018	Garcia Mansilla et al.	
D666,992 S *	9/2012	Lee	D14/205	D834,557 S *	11/2018	Hardi	D14/205
8,314,883 B2	11/2012	Richardson et al.		D837,764 S	1/2019	Xiao	
D673,136 S	12/2012	Kelly et al.		D838,687 S *	1/2019	Wu	D14/205
8,325,962 B2	12/2012	Ishida et al.		D840,370 S *	2/2019	Kelly	D14/205
D673,519 S	1/2013	Tan		D840,373 S	2/2019	Lee et al.	
D686,592 S *	7/2013	Gondo	D14/205	D841,617 S *	2/2019	Mei	D14/205
D691,109 S	10/2013	Hardi et al.		D841,618 S	2/2019	Mei	
D694,217 S	11/2013	Hwang		D851,627 S *	6/2019	ter Laag	D14/205
D695,262 S	12/2013	Starck		D851,839 S *	6/2019	Scanlon	D29/112
D696,644 S	12/2013	Sejпка		D852,163 S *	6/2019	Nagamine	D14/205
8,737,668 B1	5/2014	Blair et al.		D852,164 S *	6/2019	Mei	D14/205
D706,240 S *	6/2014	Szymanski	H04R 1/1066 D14/205	D854,513 S *	7/2019	Miyake	D14/205
D706,242 S	6/2014	Yang		D856,594 S *	8/2019	Wilson	D29/112
D707,653 S	6/2014	Hardi		D857,653 S *	8/2019	Hu	D14/205
D708,163 S *	7/2014	Ishikura	D14/205	D859,354 S *	9/2019	Xia	D14/205
8,774,420 B2 *	7/2014	Belafonte	H04R 1/2811 381/182	D861,636 S *	10/2019	Carr	D14/205
D710,822 S	8/2014	Gan		2001/0017925 A1	8/2001	Ceravolo	
D711,850 S	8/2014	Ang		2004/0216946 A1	11/2004	Lenhard-Backhaus	
D716,762 S	11/2014	Greve		2006/0159279 A1 *	7/2006	Kuo	H04R 1/1041 381/74
D719,136 S	12/2014	Schaal et al.		2008/0037816 A1	2/2008	Lee	
D721,052 S *	1/2015	Carr	D14/205	2008/0069391 A1	3/2008	Steyn et al.	
D723,507 S *	3/2015	Zambelli	D14/205	2009/0262969 A1 *	10/2009	Short	H04R 3/005 381/370
D725,630 S	3/2015	Nakagawa		2010/0034414 A1	2/2010	Miyata	
D727,287 S	4/2015	Ishikura		2010/0310093 A1	12/2010	Semcken	
D727,289 S	4/2015	Czaniecki		2014/0153766 A1	6/2014	Huang	
D728,512 S	5/2015	Nakagawa		2014/0205129 A1	7/2014	Blair et al.	
D731,457 S	6/2015	Brunner et al.		2014/0233754 A1	8/2014	Chae et al.	
D733,090 S	6/2015	Petersen		2014/0363016 A1	12/2014	Blonder	
D734,297 S	7/2015	Sasaki et al.		2015/0245124 A1 *	8/2015	Lee	H04R 5/0335 381/378
D736,176 S *	8/2015	Rapitsch	D14/205	2016/0080853 A1	3/2016	Chen	
D739,842 S *	9/2015	Birger	D14/205	2016/0142813 A1	5/2016	Honda et al.	
D740,256 S *	10/2015	Carr	D14/206	2017/0026739 A1	1/2017	Miwa et al.	
D741,290 S *	10/2015	Schaal	D14/205	2017/0041697 A1	2/2017	Levine et al.	
D743,934 S *	11/2015	Komagamine	D14/205	2017/0055079 A1	2/2017	Yang et al.	
D750,040 S	2/2016	Nohr		2017/0085975 A1 *	3/2017	Nagata	H04R 1/1041
D757,679 S *	5/2016	Yan	D14/205	2017/0257693 A1 *	9/2017	Breen	H04R 1/1041
D757,680 S	5/2016	Kelly et al.		2018/0020277 A1 *	1/2018	Briggs	H04R 1/1008
D758,337 S *	6/2016	Szymanski	D14/205	2018/0184188 A1 *	6/2018	Liu	H04R 1/1008

(56)

References Cited

U.S. PATENT DOCUMENTS

2018/0220219 A1 8/2018 Karacal
 2018/0227658 A1* 8/2018 Hviid H04R 1/1041

FOREIGN PATENT DOCUMENTS

CN	303987581	* 12/2016
CN	303996544	* 1/2017
CN	304005245	1/2017
CN	304029894	* 2/2017
CN	304188242	6/2017
CN	304270496	* 9/2017
CN	304305836	* 10/2017
CN	304375172	* 11/2017
CN	304426503	* 12/2017
EM	003113307-0001	8/2016
EM	003773324-0002	8/2017
KR	300986207-0000	12/2018

OTHER PUBLICATIONS

AKG N700NC Wireless, published 2018 [online], [retrieved Apr. 8, 2019], Available from Internet, URL: <<https://www.red-dot.org/ko/project/akg-n700nc-wireless-24662>>.*
 AKG N700NC, published Feb. 19, 2019 [online], [retrieved Apr. 8, 2019], Available from Internet, URL: <<http://www.behance.net/gallery/76029571/AKG-N700NC>>.*

DH-B38-UP, no date available [online], [retrieved Apr. 8, 2019], Available from Internet, URL: <<https://des.en.taiwantrade.com/product/volume-bluetooth-stereo-headphones-with-mic-pink-1571923.html#>>.*

Design U.S. Appl. No. 29/615,688, filed Aug. 30, 2017, available via USPTO.

Design U.S. Appl. No. 29/631,192, filed Dec. 28, 2017, available via USPTO.

Office Action dated Nov. 7, 2018 from Russian Design Application No. 2018501954149, and English translation thereof.

AKG N60 NC Headphones, published May 3, 2016 [online], [retrieved Apr. 8, 2019], Available from Internet, URL: (<<https://vow.audioxpress.com/news/harman-and-lufthansa-provide-airline-passengers-with-akg-n60-nc-headphones>>).

AKG Y500 Wireless, published 2019, [online], [retrieved Apr. 8, 2019], Available from Internet, URL: <<https://www.behance.net/gallery/72976063/AKG-Y500-WIRELESS>>.

AKG Y45BT, published 2018, [online], [retrieved Apr. 8, 2019], Available from Internet, URL: <<https://www.desertcart.ae/products/11512160-akg-y45bt-white-mini-on-ear-wireless-bluetooth-headphone-with-nfc-and-by-pass-cable-white>>.

AKG K-495NC, published Jan. 15, 2014 [online], [retrieved Apr. 8, 2019], Available from Internet, URL: <<https://www.amazon.com/Akg-K495NC-K-495NC-Noise-Cancelling-Headphones/dp/B009GWYVOS>>.

* cited by examiner

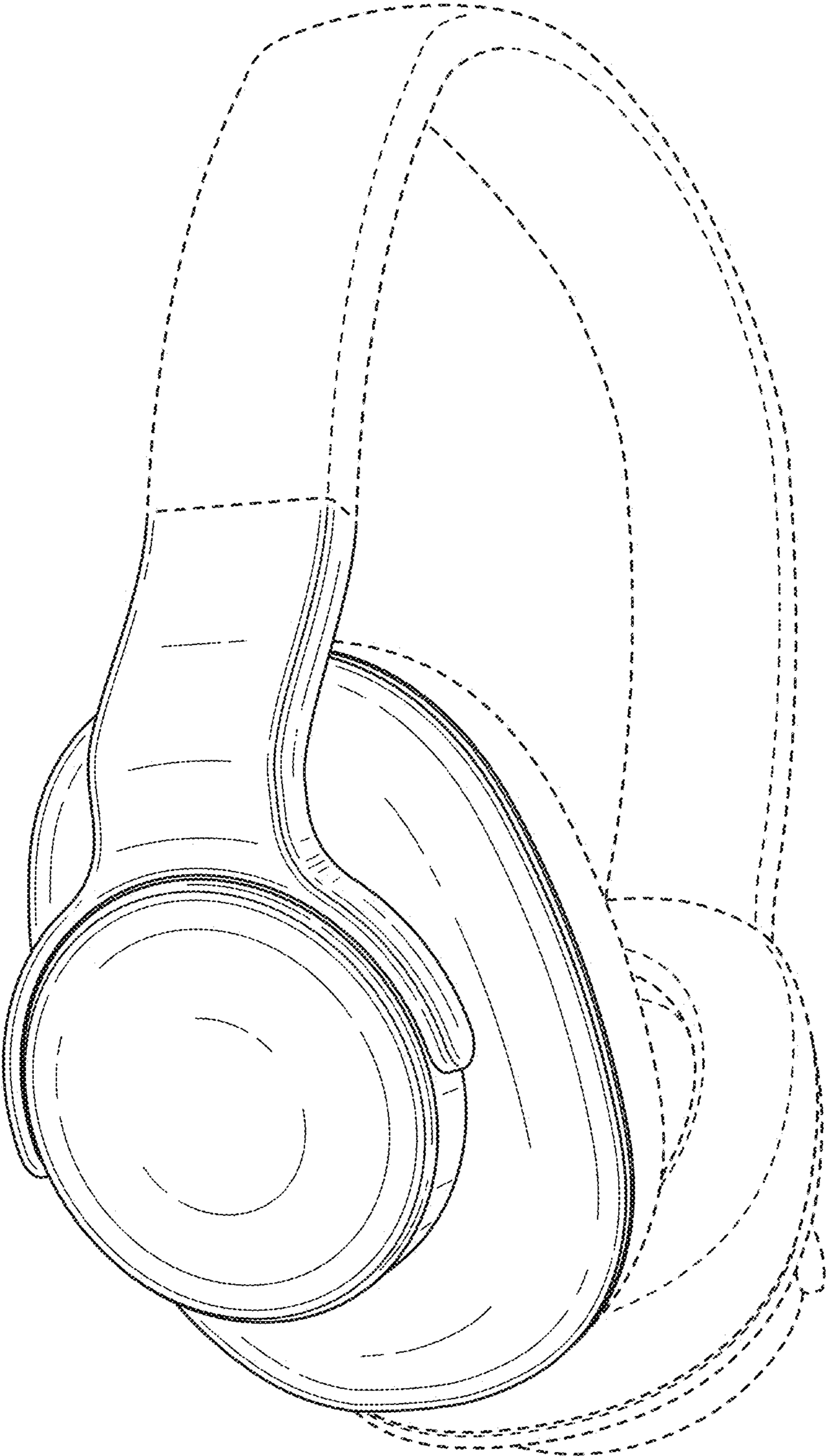


FIG. 1

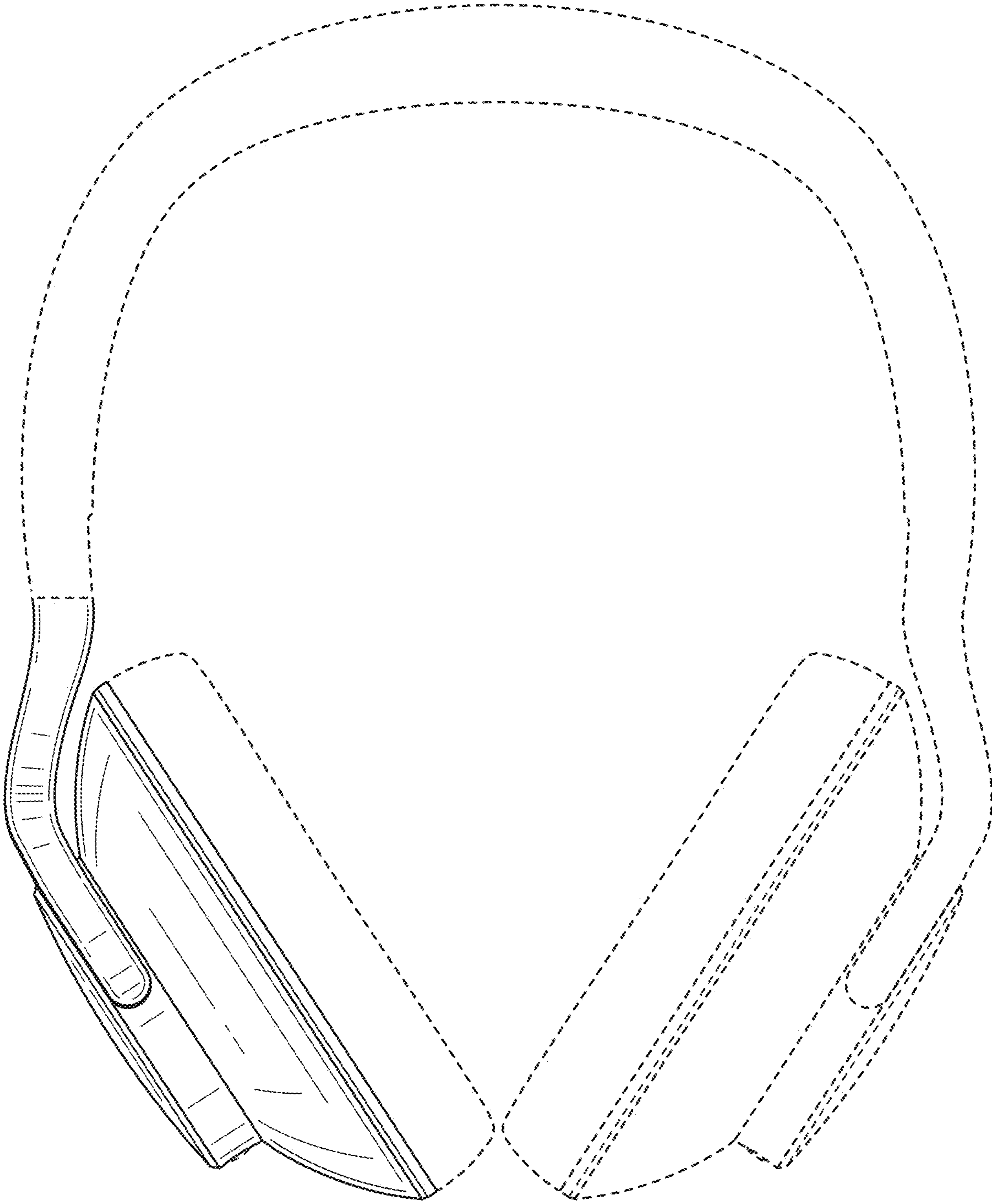


FIG. 2

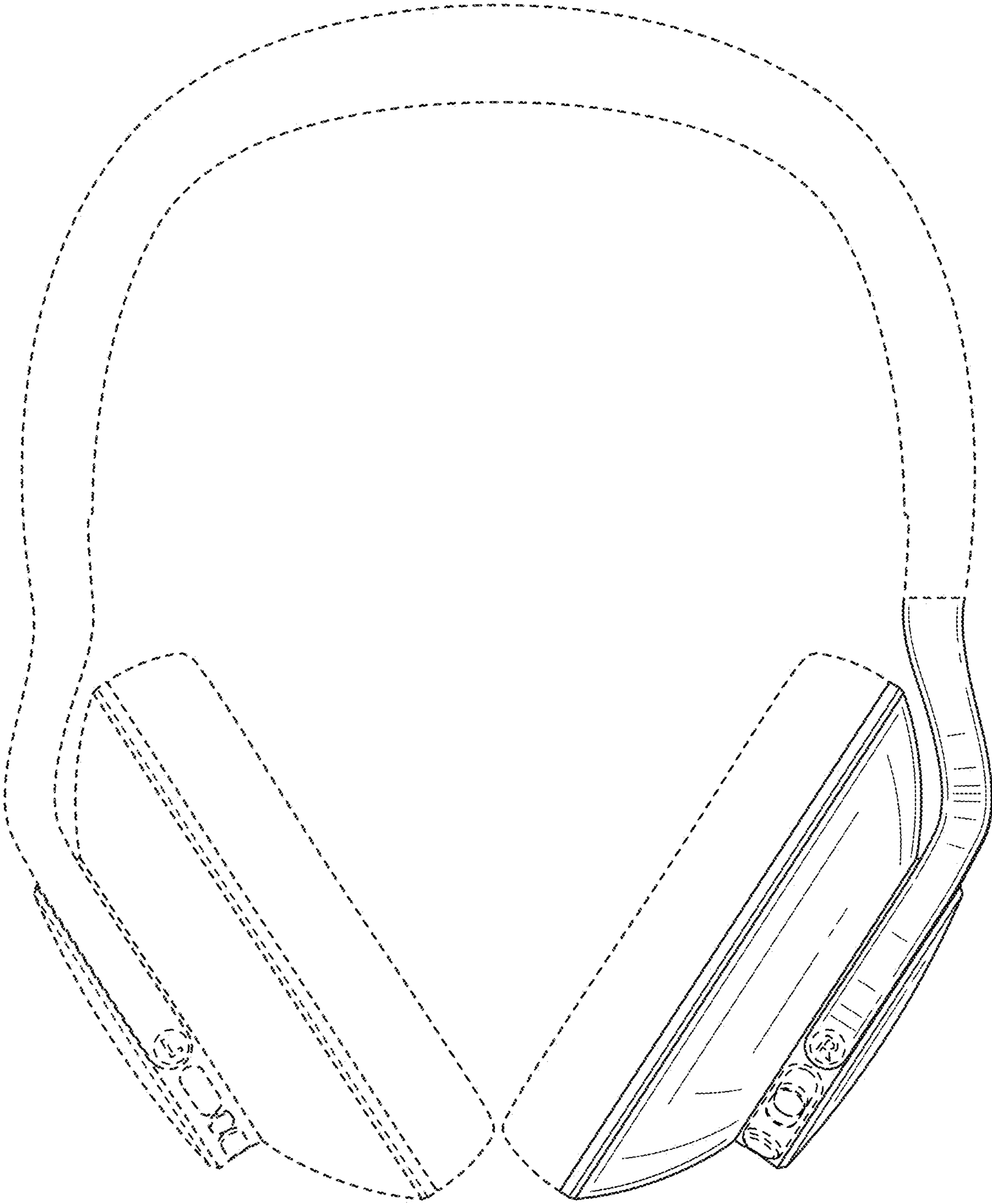


FIG. 3

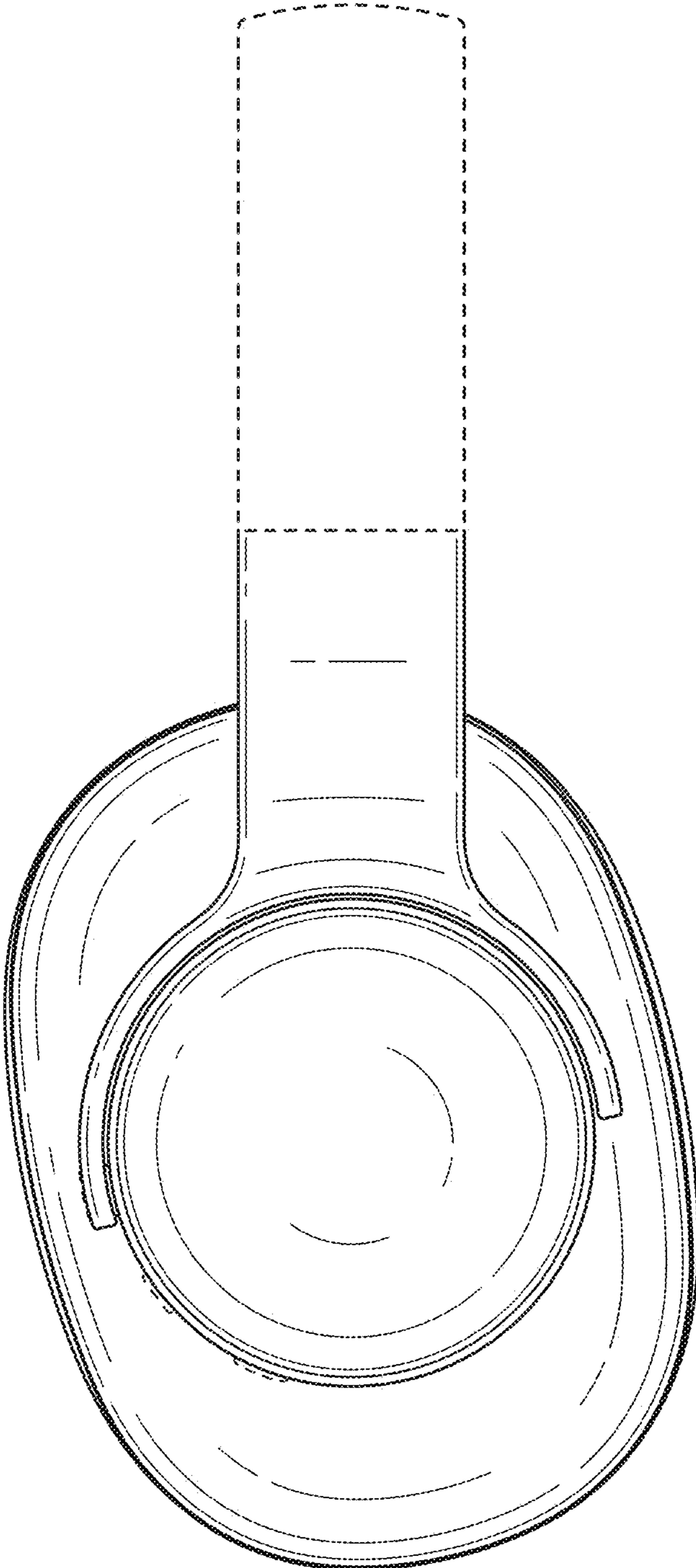


FIG. 4

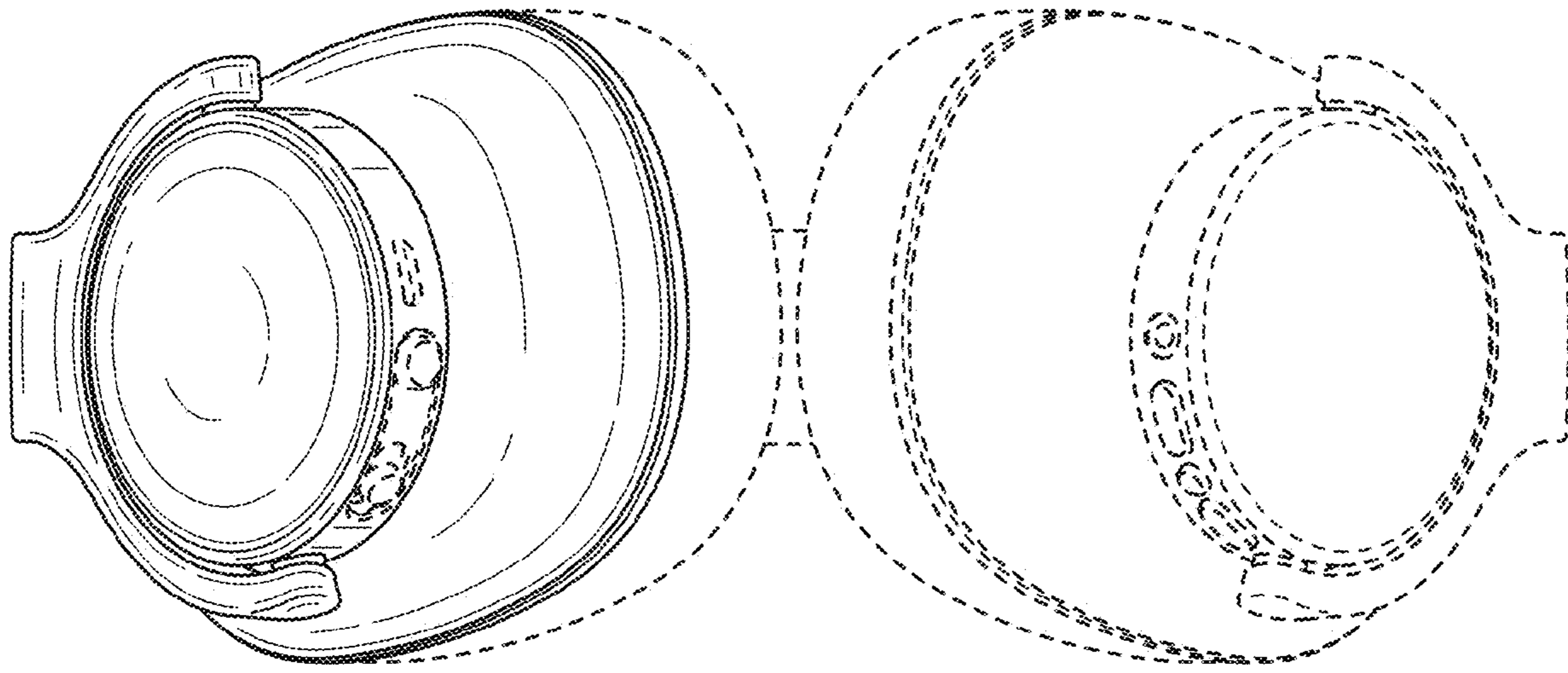


FIG. 5

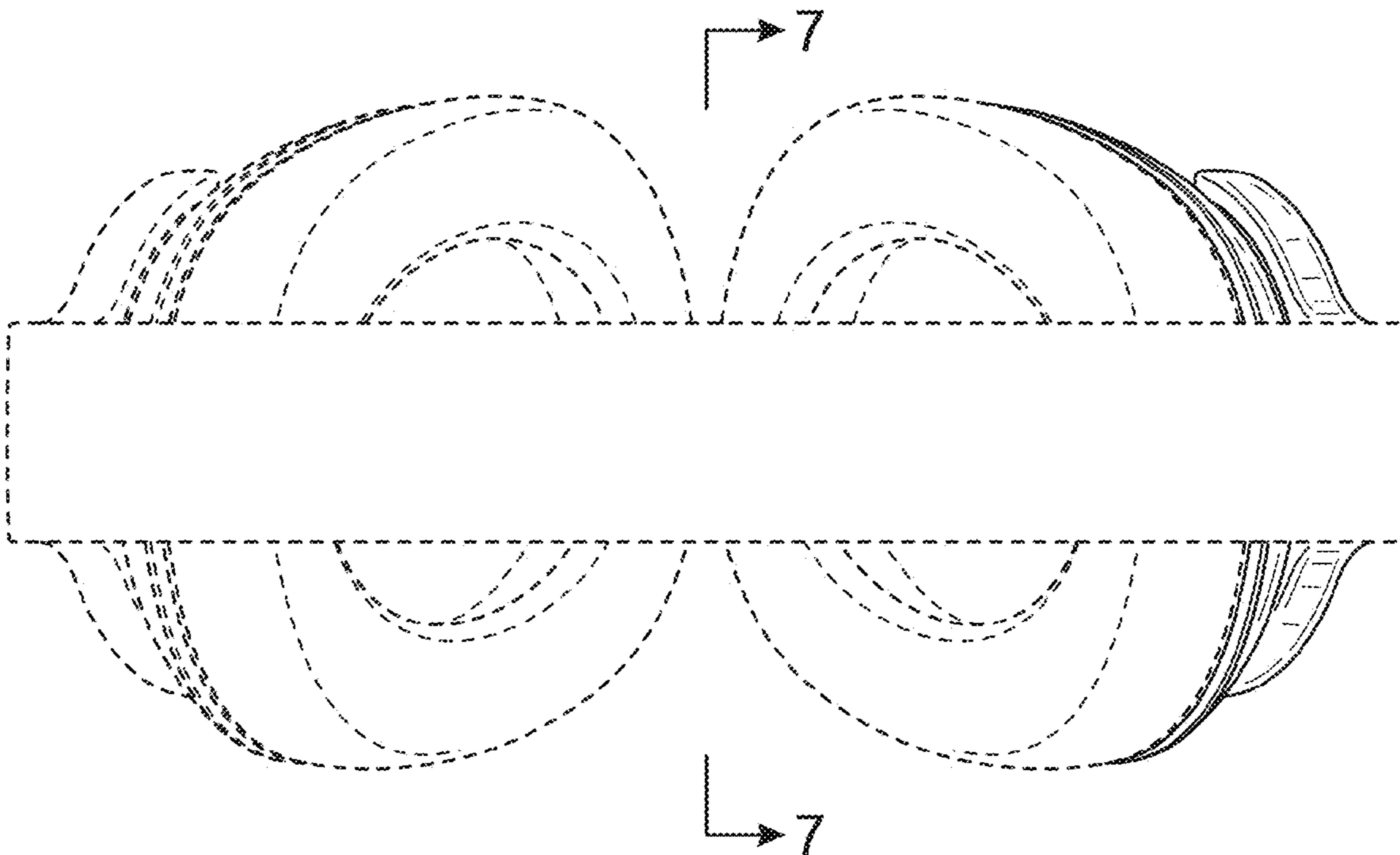


FIG. 6

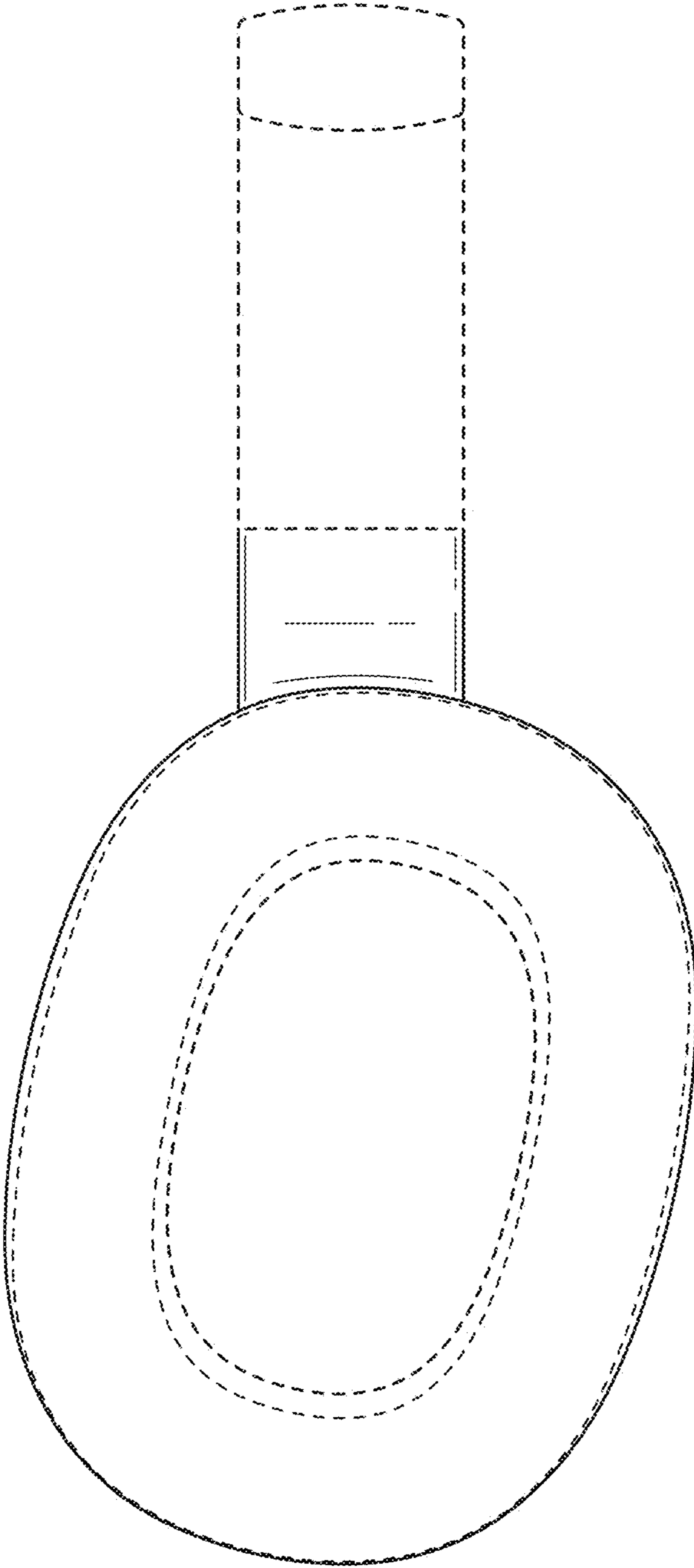


FIG. 7