



US00D877111S

(12) **United States Design Patent**  
**Yu**

(10) **Patent No.:** **US D877,111 S**  
(45) **Date of Patent:** **\*\* Mar. 3, 2020**

(54) **USB BLUETOOTH TRANSMITTER**

(71) Applicant: **Shenzhen Guli Technology Co., Ltd.**,  
Shenzhen (CN)

(72) Inventor: **Hong Yong Yu**, Shenzhen (CN)

(73) Assignee: **SHENZHEN GULI TECHNOLOGY**  
**CO., LTD.**, Shenzhen (CN)

(\*\*) Term: **15 Years**

(21) Appl. No.: **29/667,136**

(22) Filed: **Oct. 18, 2018**

(30) **Foreign Application Priority Data**

Apr. 28, 2018 (CN) ..... 2018 3 0188316

(51) **LOC (12) Cl.** ..... **14-03**

(52) **U.S. Cl.**  
USPC ..... **D14/155**

(58) **Field of Classification Search**

USPC ..... D14/167, 154, 168, 188, 496, 156, 160,  
D14/161, 162, 163, 164, 165, 158, 341,  
D14/346, 342, 345, 155, 218, 225;  
D16/208; D26/38; 455/351, 350, 575.1,  
455/556.1; D10/104, 106, 65, 57

See application file for complete search history.

(56) **References Cited**

**U.S. PATENT DOCUMENTS**

D507,261 S \* 7/2005 Griffin ..... D14/226  
D531,623 S \* 11/2006 Griffin ..... D14/230

D534,149 S \* 12/2006 Griffin ..... D14/155  
D535,278 S \* 1/2007 Hussaini ..... D14/155  
D535,972 S \* 1/2007 Griffin ..... D14/155  
D545,809 S \* 7/2007 Griffin ..... D14/155  
D546,811 S \* 7/2007 Neu ..... D14/155  
D549,210 S \* 8/2007 Neu ..... D14/155  
D565,534 S \* 4/2008 Ingalsbe ..... D14/155  
D570,327 S \* 6/2008 Ikeda ..... D14/155  
D573,578 S \* 7/2008 Turksu ..... D14/155  
D579,911 S \* 11/2008 Wei ..... D14/155  
D688,651 S \* 8/2013 Daniel ..... D14/240  
D695,258 S \* 12/2013 Hauser ..... D14/155  
D705,748 S \* 5/2014 He ..... D14/155

\* cited by examiner

*Primary Examiner* — Austin Murphy

(74) *Attorney, Agent, or Firm* — Cantor Colburn LLP

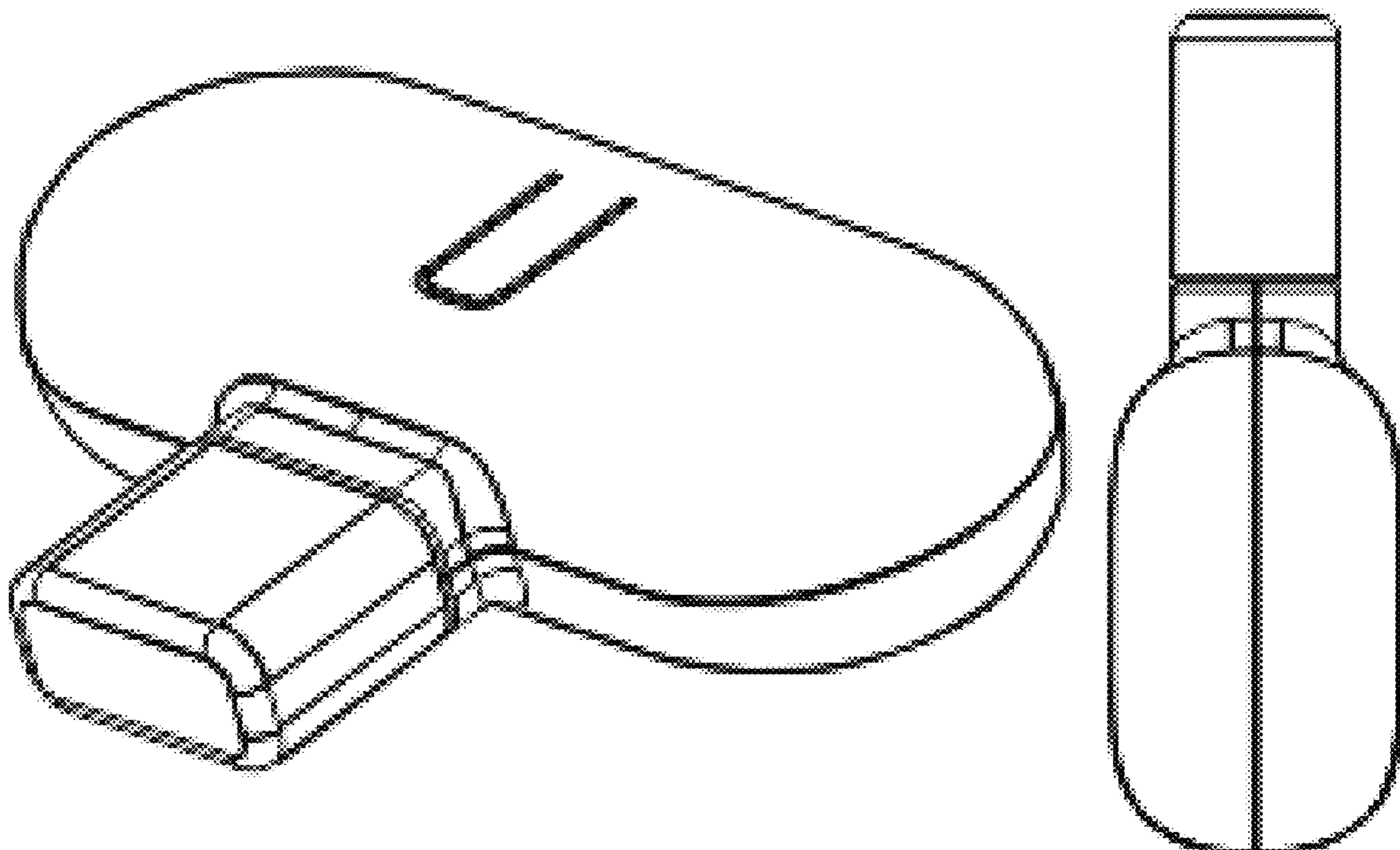
(57) **CLAIM**

I claim, the ornamental design for a USB bluetooth transmitter, as shown and described.

**DESCRIPTION**

FIG. 1 is a perspective view 1 of a USB bluetooth transmitter, showing our new design;  
FIG. 2 is a front perspective view thereof;  
FIG. 3 is a back side view thereof;  
FIG. 4 is a left side view thereof;  
FIG. 5 is a right side view thereof  
FIG. 6 is a top side view thereof;  
FIG. 7 is a bottom side view thereof; and,  
FIG. 8 is a perspective view 2 of a USB bluetooth transmitter, showing our new design.

**1 Claim, 7 Drawing Sheets**



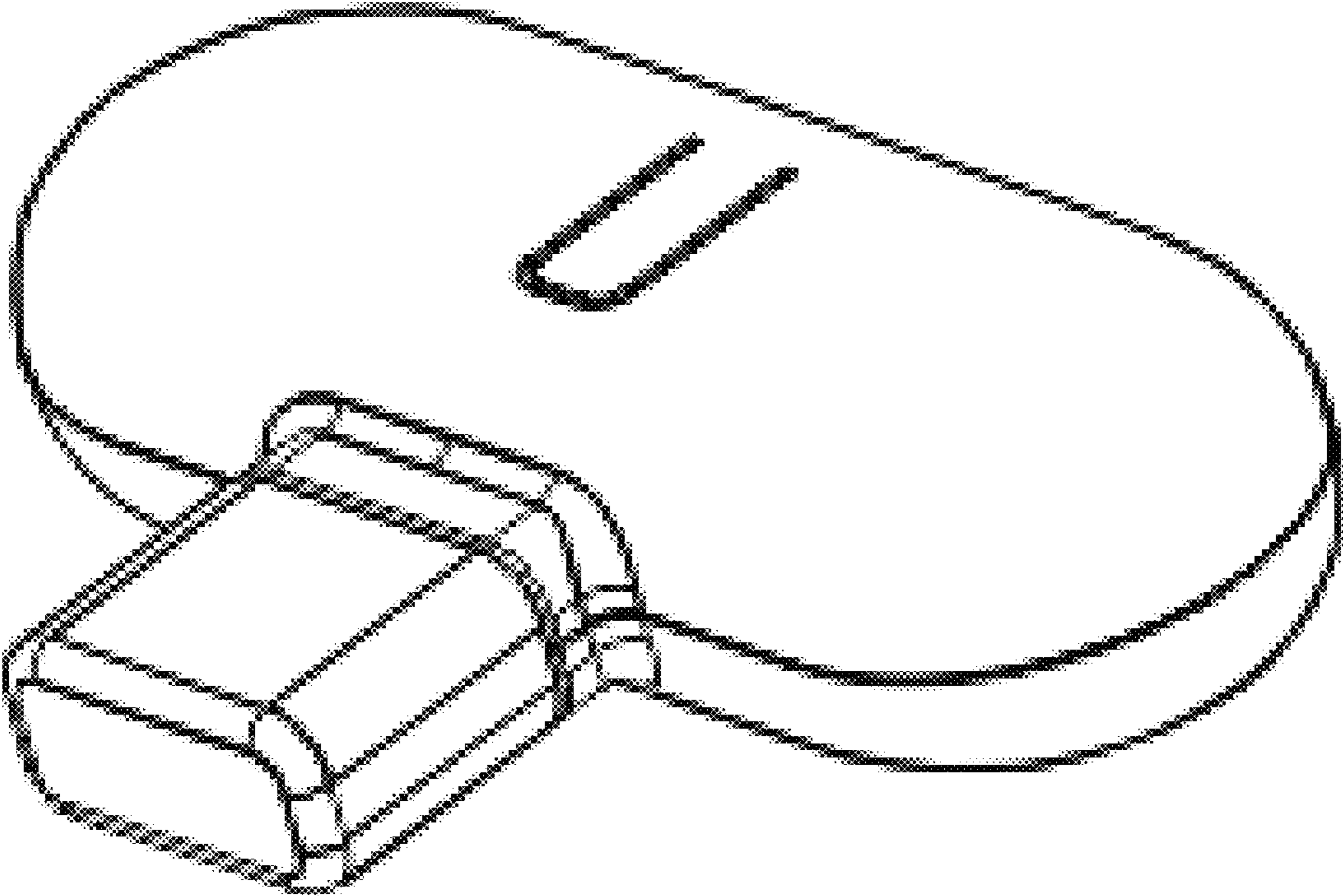


FIG. 1

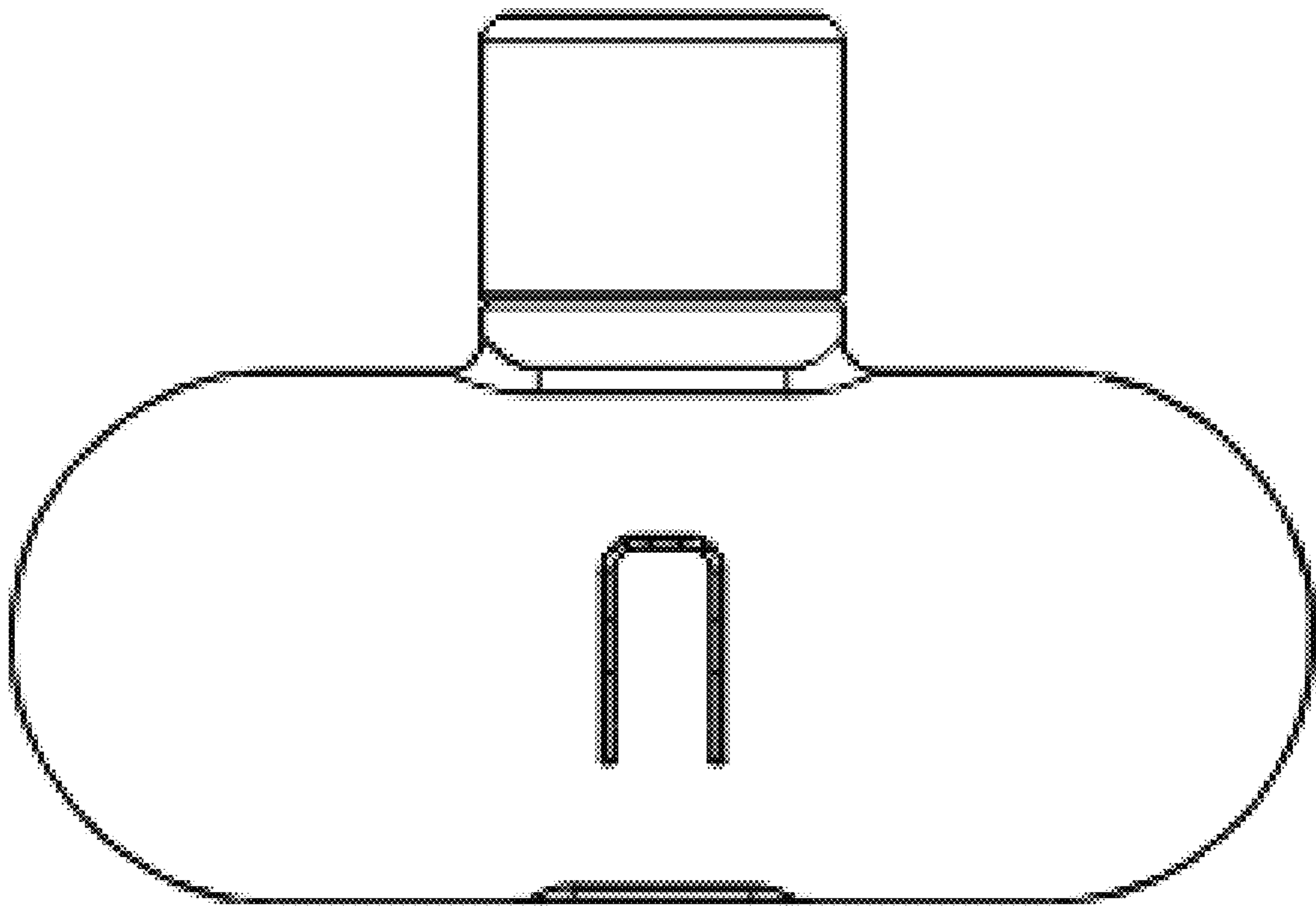


FIG. 2

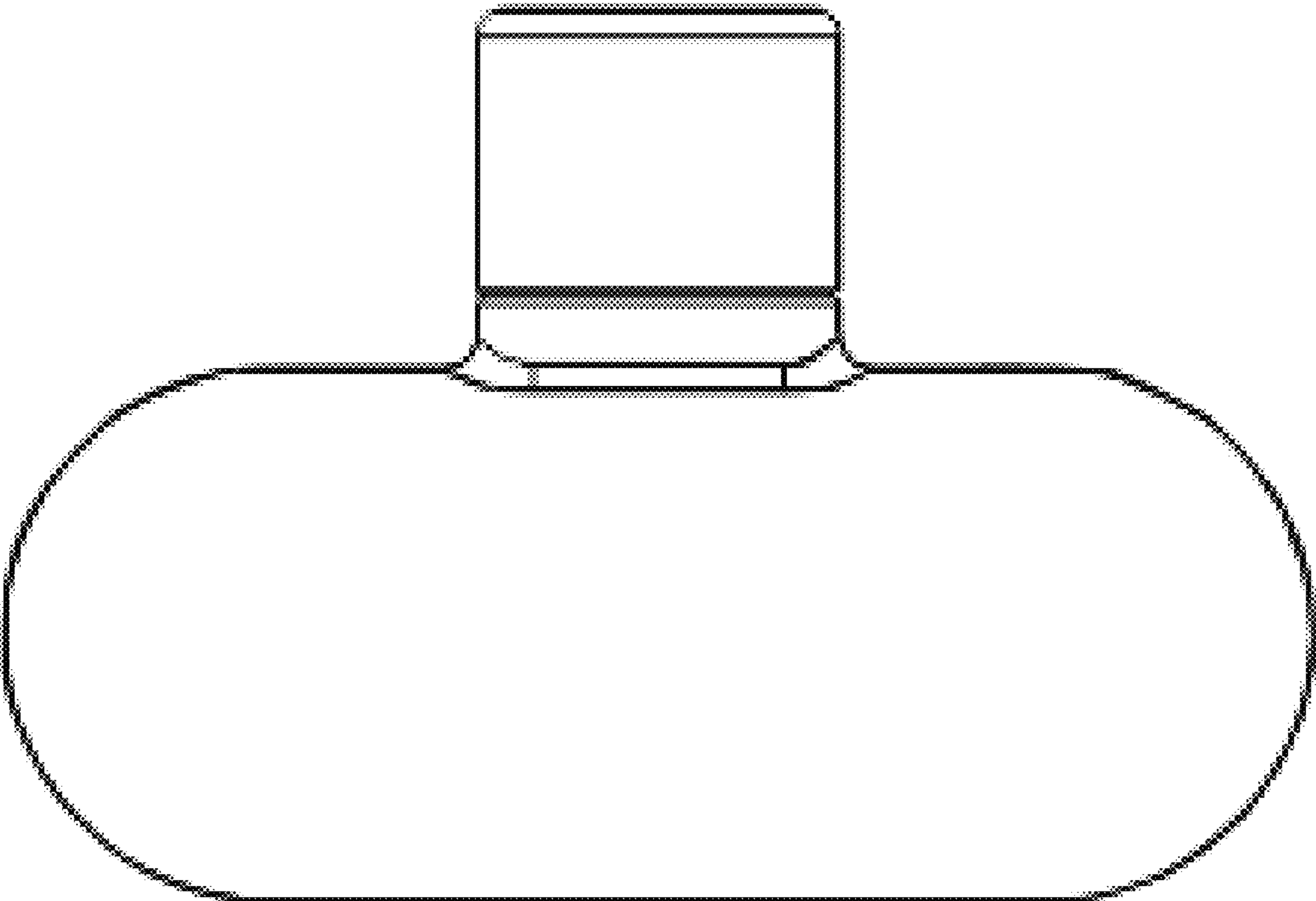


FIG. 3

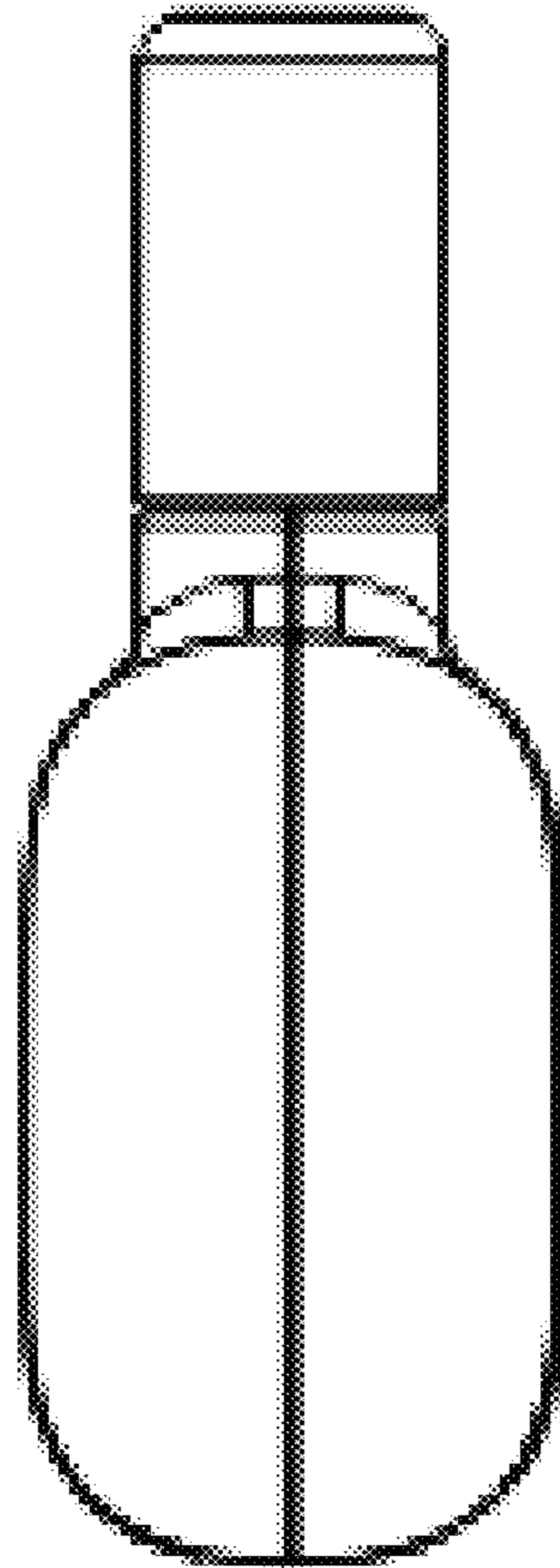


FIG. 4

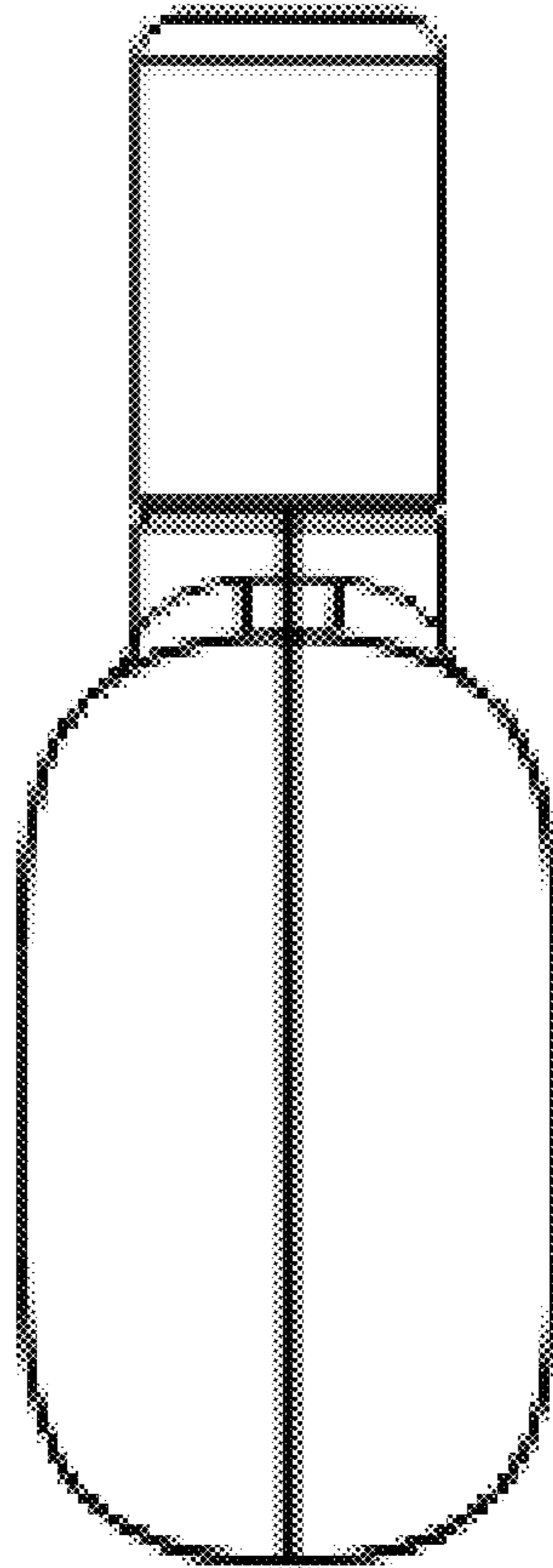


FIG. 5

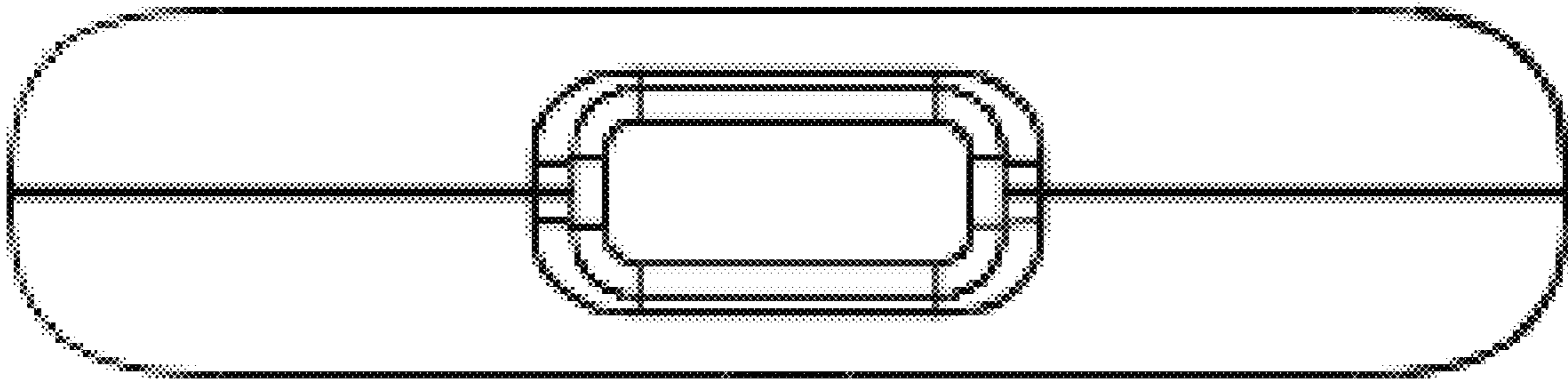


FIG. 6

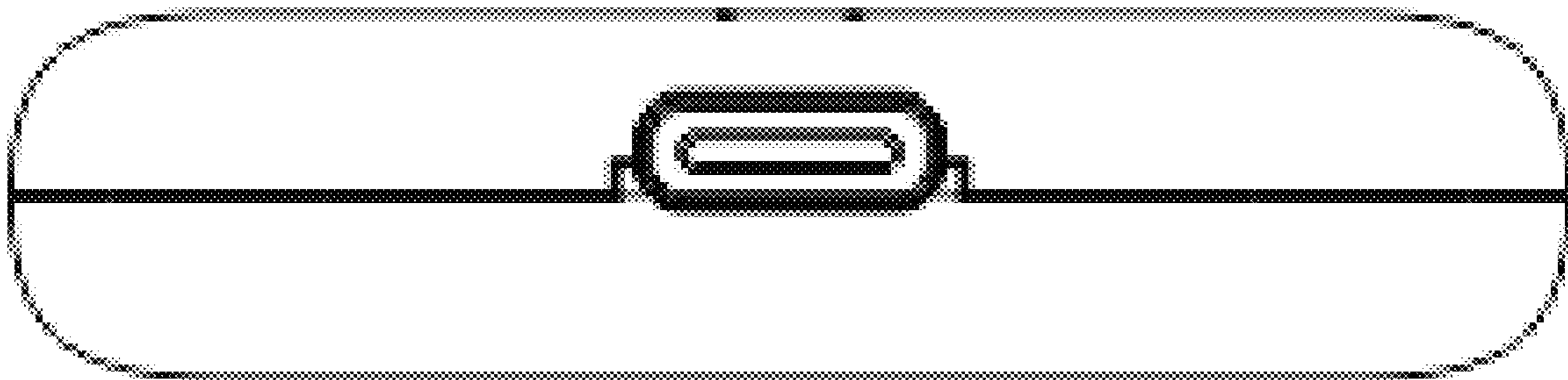


FIG. 7

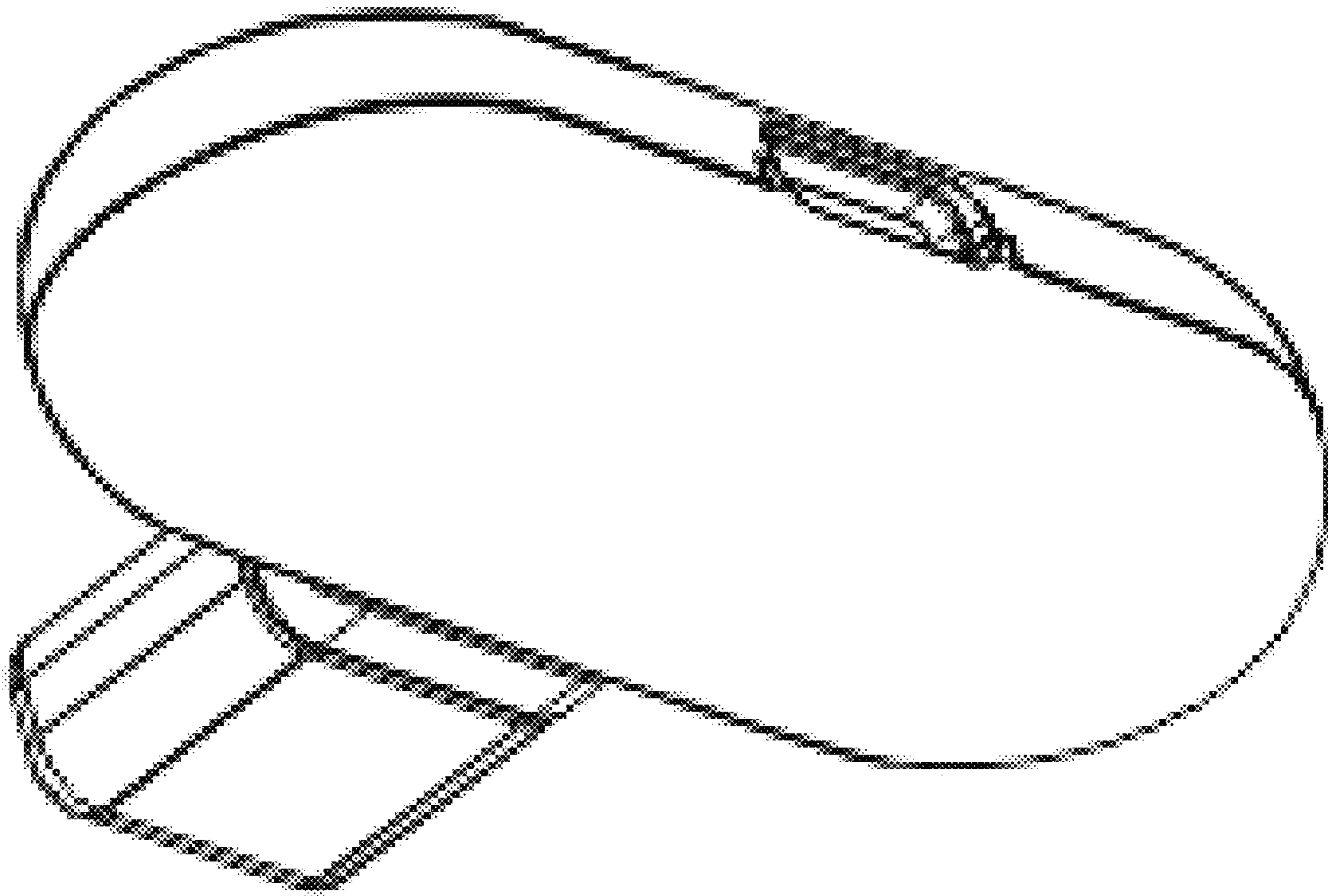


FIG. 8