



US00D877105S

(12) **United States Design Patent**
Saito et al.

(10) **Patent No.:** **US D877,105 S**
(45) **Date of Patent:** **** Mar. 3, 2020**

(54) **HOUSING FOR AERIAL IMAGING APPARATUS**

(71) Applicant: **Sakai Display Products Corporation,**
Sakai-shi, Osaka (JP)

(72) Inventors: **Yoshimasa Saito,** Sakai (JP); **Hideyuki Shirai,** Sakai (JP)

(73) Assignee: **SAKAI DISPLAY PRODUCTS CORPORATION,** Osaka (JP)

(**) Term: **15 Years**

(21) Appl. No.: **29/654,116**

(22) Filed: **Jun. 21, 2018**

(30) **Foreign Application Priority Data**

Dec. 26, 2017 (JP) 2017-029069

(51) **LOC (12) Cl.** **14-03**

(52) **U.S. Cl.**
USPC **D14/126**

(58) **Field of Classification Search**

USPC D14/125-134, 239, 371, 136, 374-377,
D14/440, 450, 448, 336, 159, 341-345;
312/7.2; 348/836, 838, 180, 184, 325,
348/739; 248/917-924, 465; 345/104,
345/133, 156, 168, 87, 173; D21/329,
D21/515, 577, 622, 333, 433, 448, 452,
D21/450, 331, 505; D10/15, 26;
446/484, 175, 356; D6/477, 479, 300,
D6/308; D24/185; D34/14; 361/679.21;
D19/113, 114; D20/10; D25/13

CPC ... G06F 1/1601; G06F 1/1643; H05K 5/0004;
H05K 5/0017; H05K 5/02; H05K 5/0217
See application file for complete search history.

(56) **References Cited**

U.S. PATENT DOCUMENTS

D289,870 S * 5/1987 Berchtold D14/133
5,784,036 A * 7/1998 Higuchi B60K 35/00
345/7

D427,597 S * 7/2000 Arfin D14/133
6,325,343 B1 * 12/2001 Flagg A47B 19/08
248/174
D609,935 S * 2/2010 Sirotich D6/655
D661,920 S * 6/2012 Arnold D6/700
D777,488 S * 1/2017 Stanfield D6/700
D787,866 S * 5/2017 Baraldi D10/46.1
D796,879 S * 9/2017 Aldridge D6/700
D817,313 S * 5/2018 Horito D14/240

OTHER PUBLICATIONS

Saito et al., "Housing for Aerial Imaging Apparatus," U.S. Appl. No. 29/654,115, filed Jun. 21, 2018.
Saito et al., "Housing for Aerial Imaging Apparatus," U.S. Appl. No. 29/674,198, filed Dec. 20, 2018.
Saito et al., "Housing for Aerial Imaging Apparatus," U.S. Appl. No. 29/674,199, filed Dec. 20, 2018.

* cited by examiner

Primary Examiner — Randall H Gholson

(74) *Attorney, Agent, or Firm* — Keating & Bennett, LLP

(57) **CLAIM**

The ornamental design for a housing for aerial imaging apparatus, as shown and described.

DESCRIPTION

FIG. 1 is a perspective view of a housing for aerial imaging apparatus showing our new design;
FIG. 2 is a front view thereof;
FIG. 3 is a rear view thereof;
FIG. 4 is a right side view thereof, opposite left side view being mirror image thereof;
FIG. 5 is a top view thereof; and,
FIG. 6 is a bottom view thereof.
In FIGS. 1-6, the broken lines shown in the drawings are for illustrative purposes only and form no part of the claimed design.

1 Claim, 6 Drawing Sheets

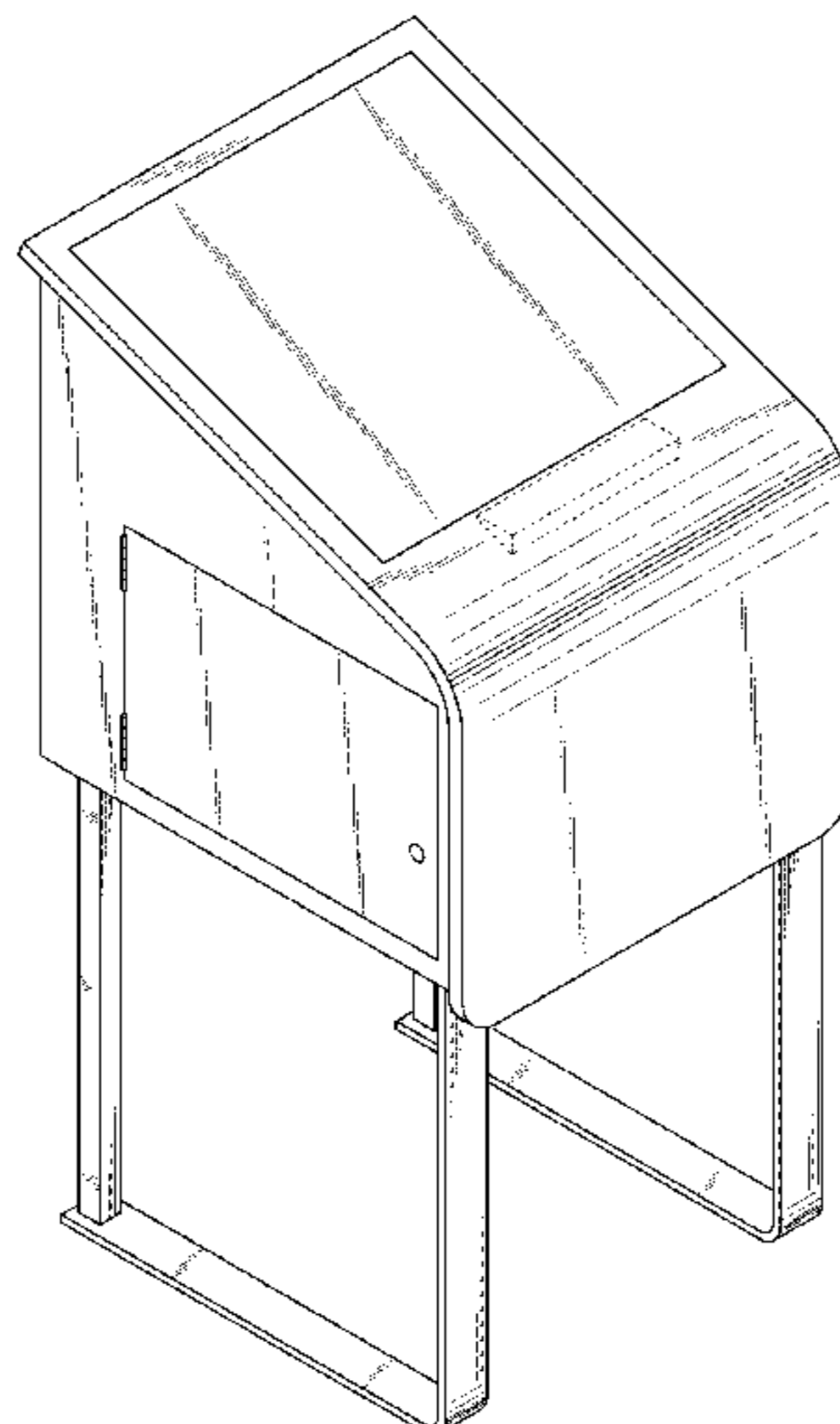


Fig. 1

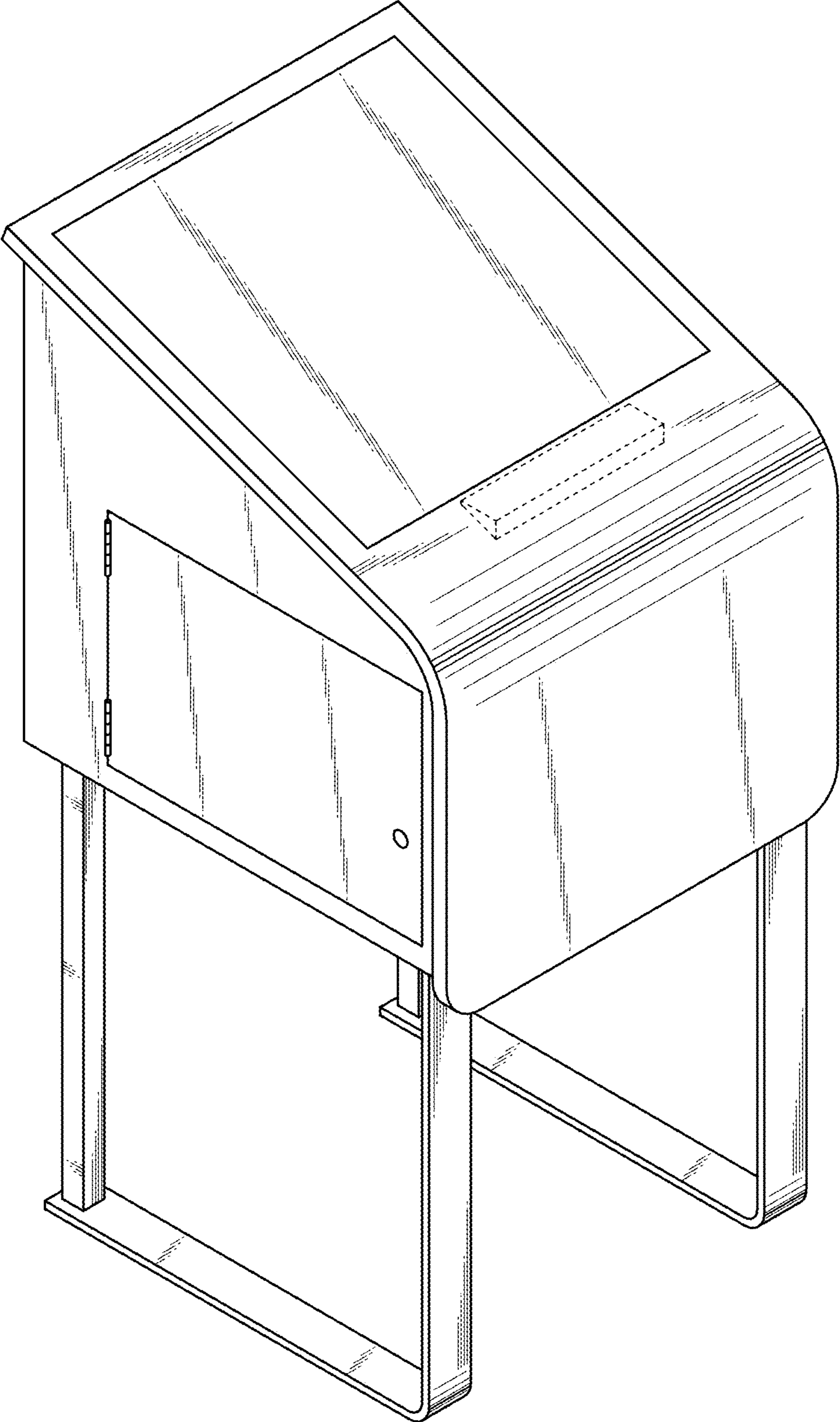


Fig. 2

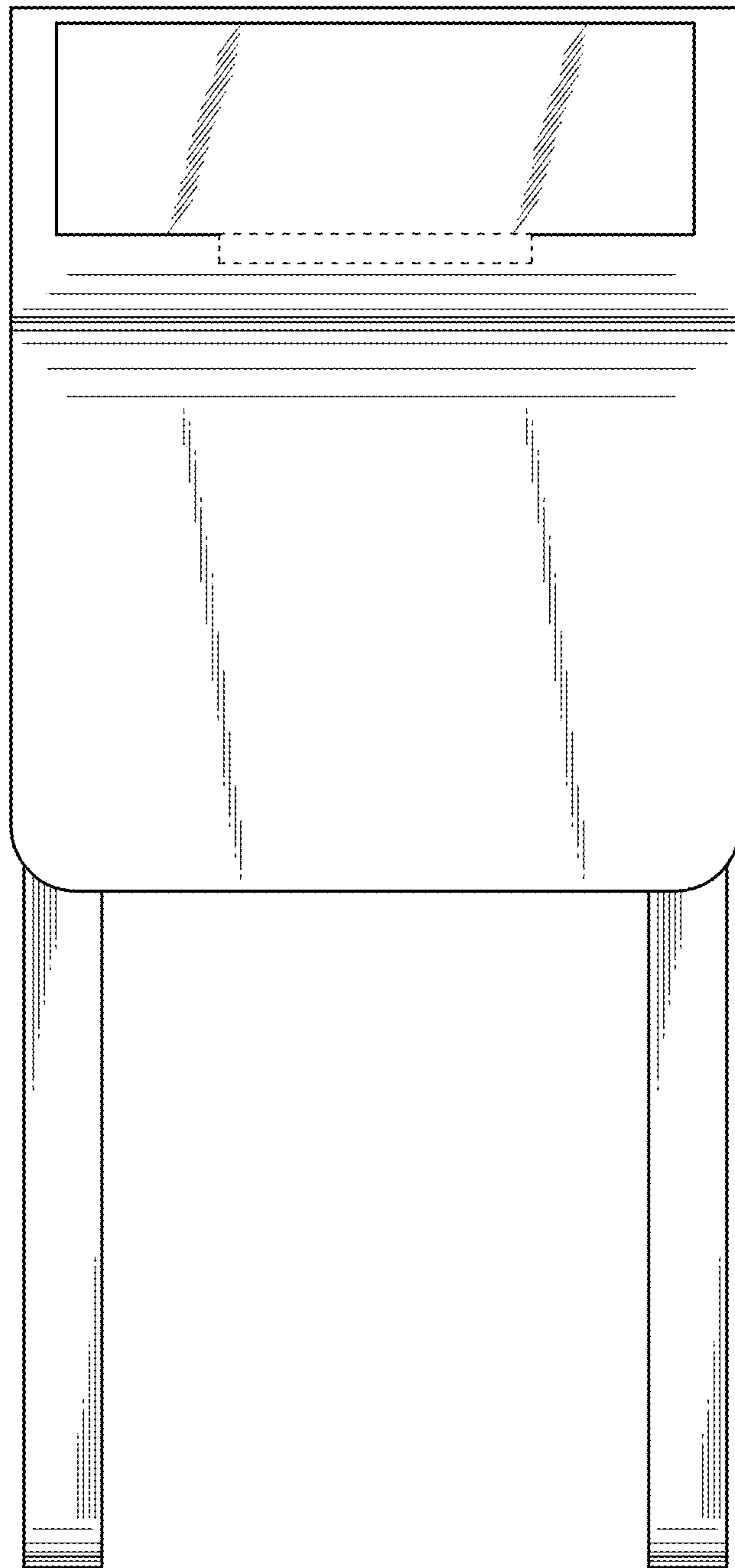


Fig. 3

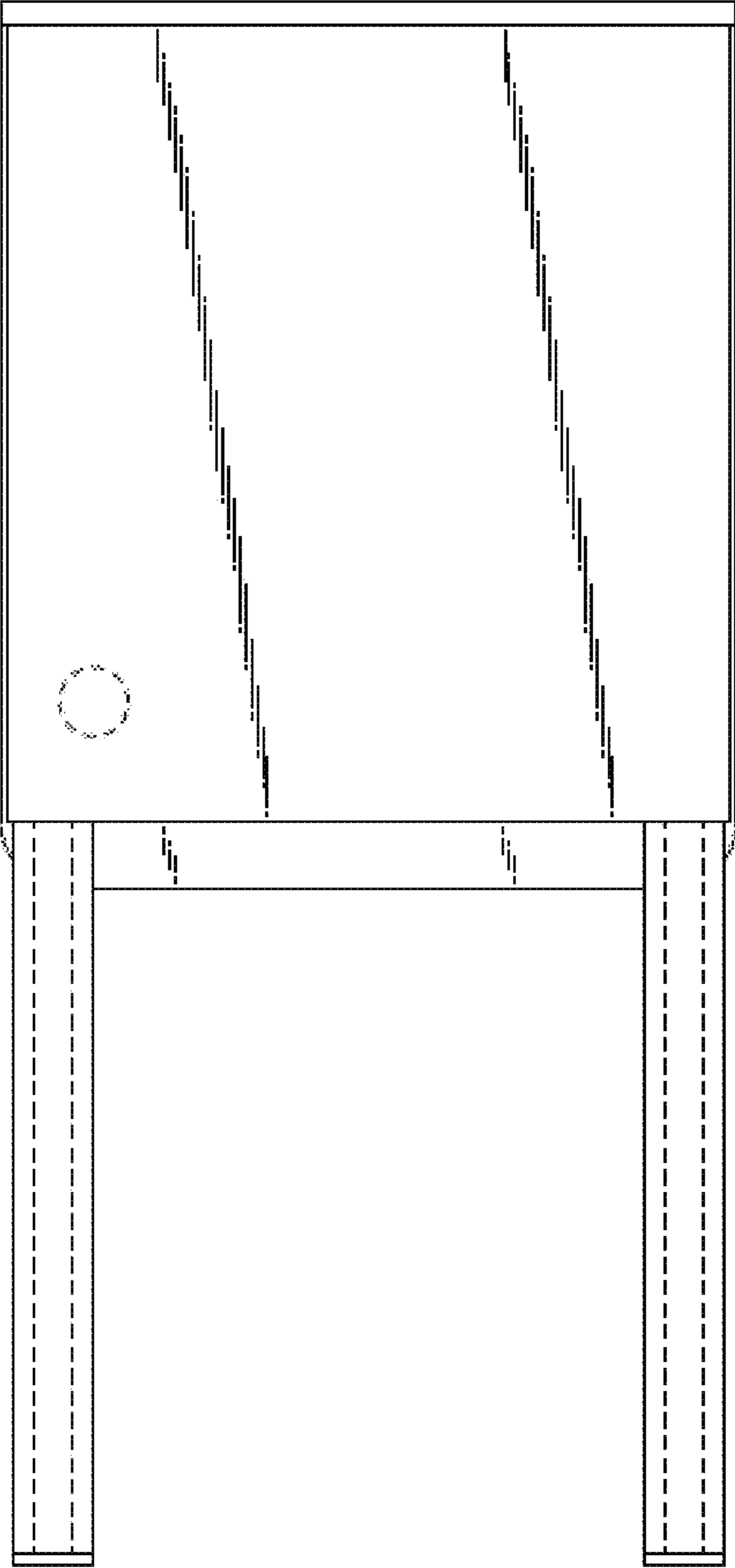


Fig. 4

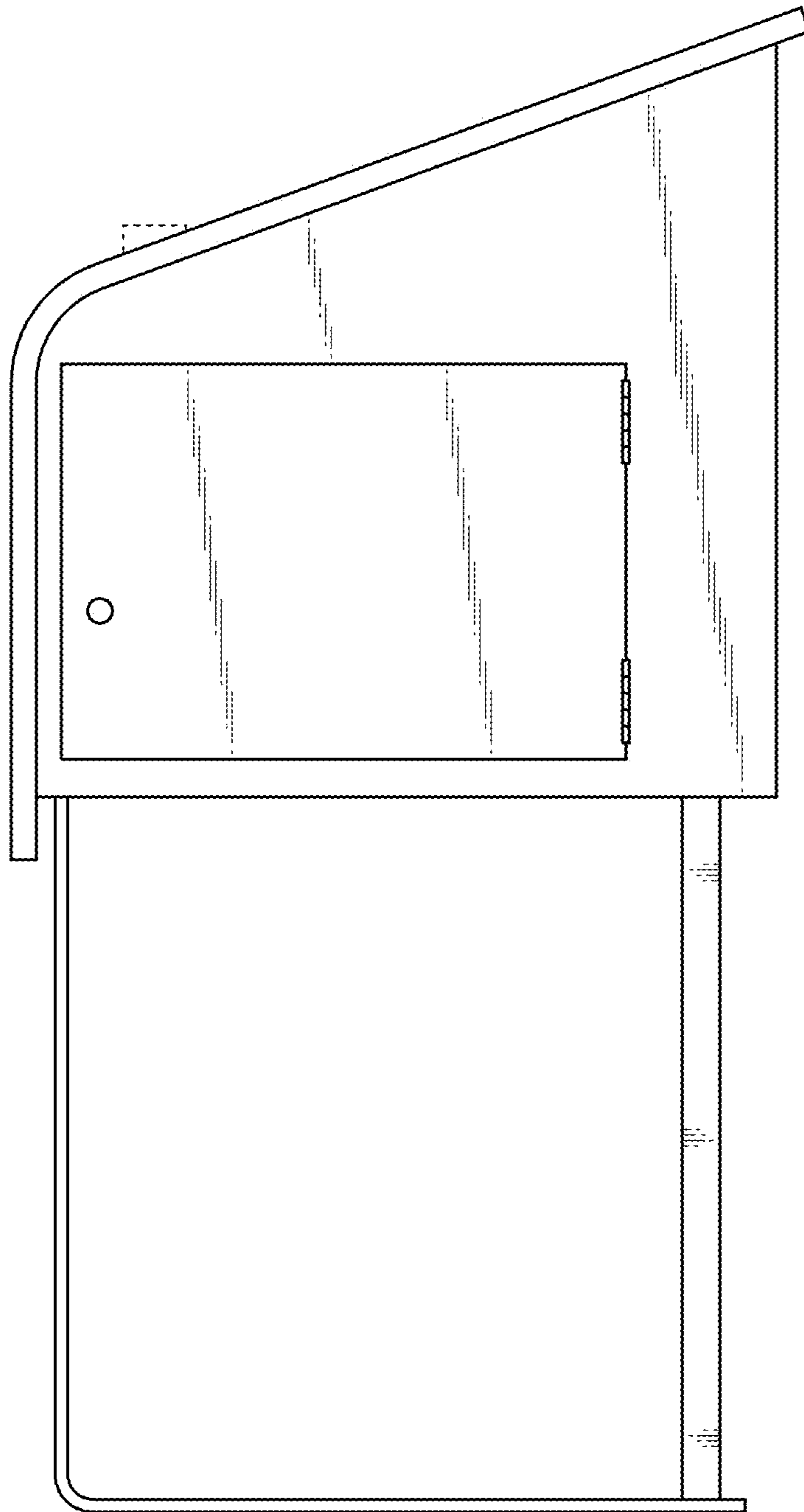


Fig. 5

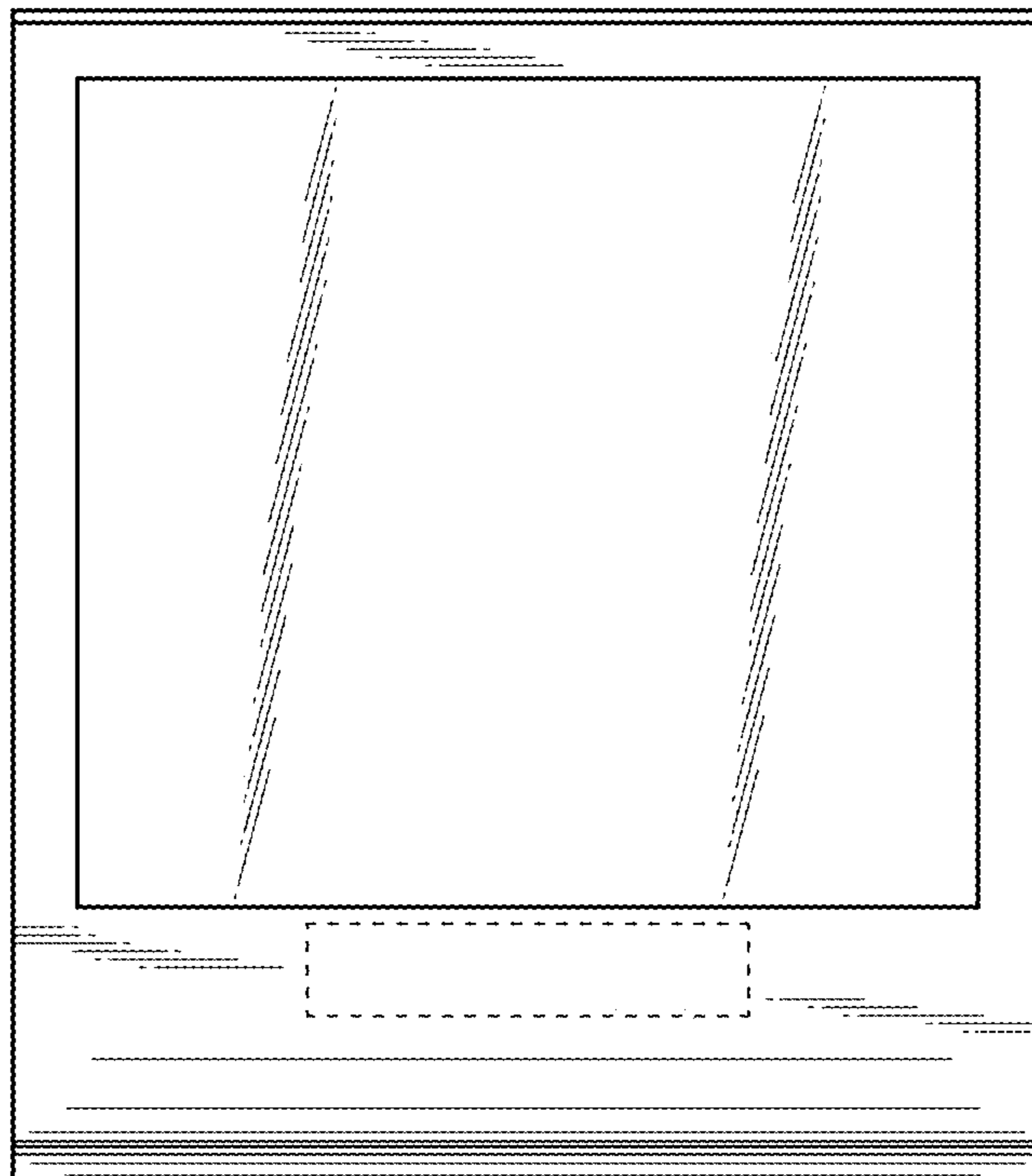


Fig. 6

