



US00D877100S

(12) **United States Design Patent**
Toya et al.

(10) **Patent No.:** **US D877,100 S**
(45) **Date of Patent:** **** Mar. 3, 2020**

(54) **JIG FOR ATTACHING FLEXIBLE PRINTED WIRING BOARD**

(71) Applicant: **Sumitomo Electric Industries, Ltd.**,
Osaka-shi (JP)

(72) Inventors: **Kazumasa Toya**, Osaka (JP); **Kenji Saito**, Osaka (JP); **Youichi Nagai**, Osaka (JP); **Takashi Iwasaki**, Osaka (JP); **Makoto Inagaki**, Osaka (JP); **Kazushi Iyatani**, Osaka (JP)

(73) Assignee: **Sumitomo Electric Industries, Ltd.**,
Osaka-shi (JP)

(**) Term: **15 Years**

(21) Appl. No.: **29/617,556**

(22) Filed: **Sep. 14, 2017**

(30) **Foreign Application Priority Data**

Mar. 15, 2017 (JP) 2017-005255
Mar. 15, 2017 (JP) 2017-005256

(51) **LOC (12) Cl.** **13-03**

(52) **U.S. Cl.**
USPC **D13/182**

(58) **Field of Classification Search**

USPC D13/155, 182, 184, 199; D15/144, 144.1
CPC H05K 3/306; H05K 3/00; H05K 3/30;
H05K 3/308; H05K 3/3447; H05K 3/32;
H05K 3/34; H05K 2201/10393; H05K
2201/00; H05K 2201/10; H05K
2201/10227; H05K 2203/0173; H05K
2203/00; H05K 2203/01; H05K
2203/0147; H05K 1/00; H05K 1/02;
H05K 1/0213; H05K 1/189; H05K 1/11;
H05K 1/03; H05K 1/16; H05K 1/18;
H05K 1/0243; Y10T 29/53174; Y10T
29/53265; Y10T 29/00; Y10T 29/53;
Y10T 29/5313

See application file for complete search history.

(56) **References Cited**

U.S. PATENT DOCUMENTS

5,549,485 A * 8/1996 Chishima H01R 12/592
29/749
6,074,283 A * 6/2000 Maeda B24B 37/00
451/5

(Continued)

Primary Examiner — Elizabeth J Oswecki

(74) *Attorney, Agent, or Firm* — Baker Botts L.L.P.;
Michael A. Sartori

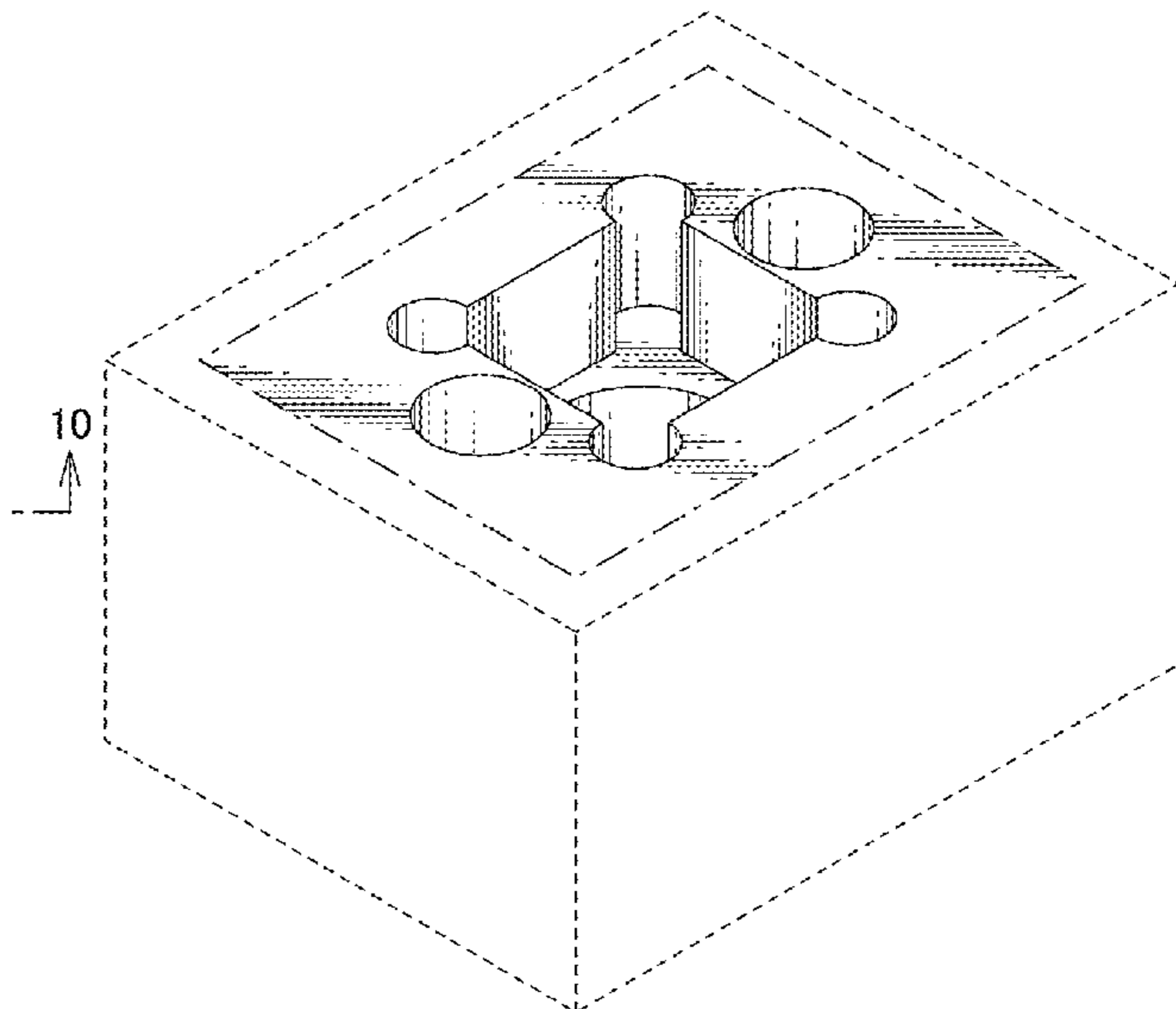
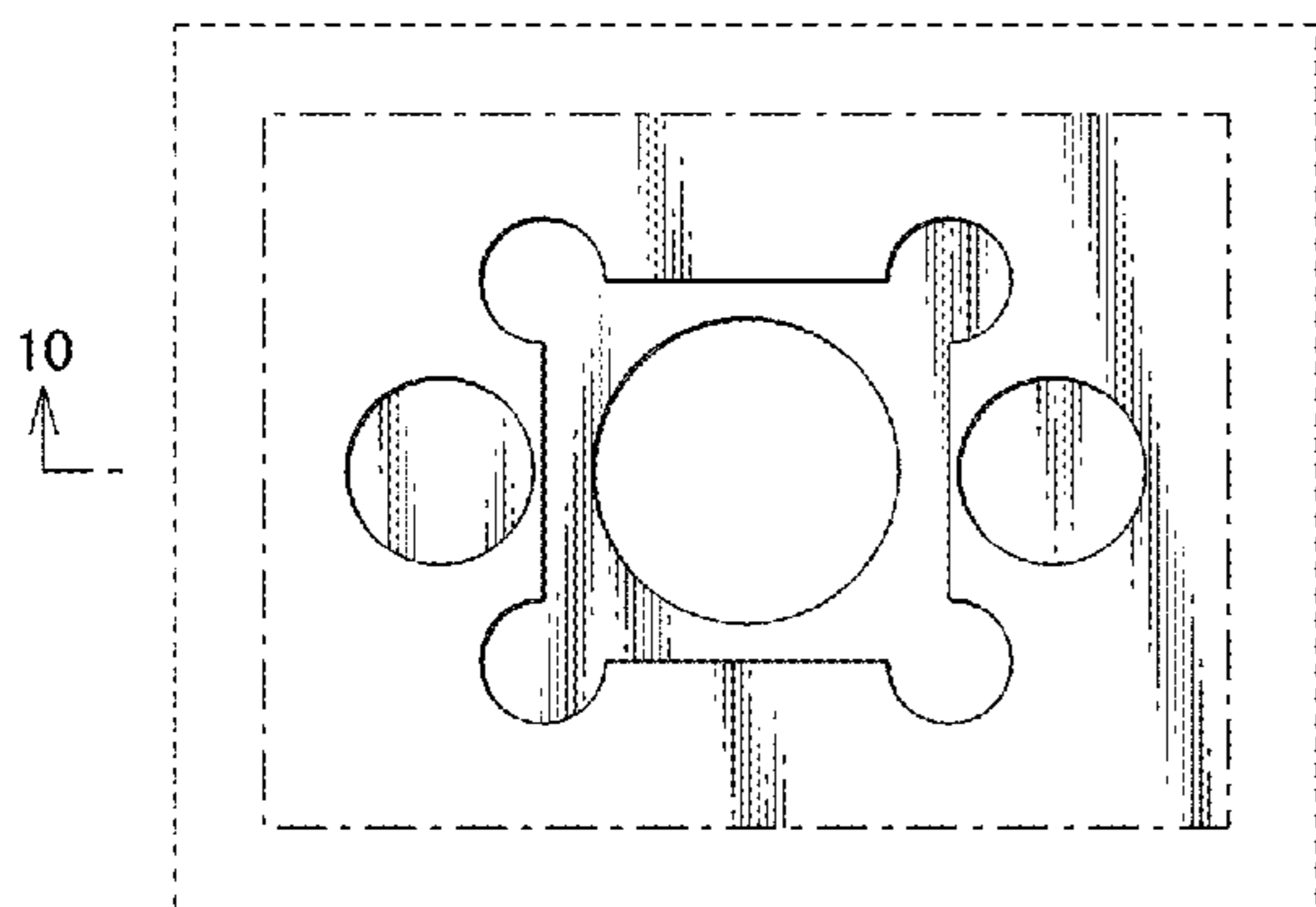
(57) **CLAIM**

The ornamental design for a jig for attaching a flexible printed wiring board, as shown and described.

DESCRIPTION

FIG. 1 is a front view of a jig for attaching a flexible printed wiring board showing our new design;
FIG. 2 is a rear view thereof;
FIG. 3 is a top view thereof;
FIG. 4 is a bottom view thereof;
FIG. 5 is a right side view thereof;
FIG. 6 is a left side view thereof;
FIG. 7 is a perspective view thereof;
FIG. 8 is an enlarged view of a portion taken along line 8-8 of FIG. 1;
FIG. 9 is an enlarged view of a portion taken along line 9-9 of FIG. 2;
FIG. 10 is a cross sectional view taken along line 10-10 of FIG. 8; and,
FIG. 11 is an enlarged perspective view of FIG. 8.
The broken lines shown in the drawings represent portions of the jig for attaching a flexible printed wiring board that form no part of the claimed design. The dashed-dot-dashed lines indicate a boundary between the claimed and unclaimed portions of the design.

1 Claim, 6 Drawing Sheets



(56)

References Cited

U.S. PATENT DOCUMENTS

6,835,074 B2 * 12/2004 Sakata H01R 43/205
439/79
6,926,237 B2 * 8/2005 Shereyk F16B 5/0685
248/71
D784,936 S * 4/2017 Mori D13/182
D785,575 S * 5/2017 Mori D13/182
D803,172 S * 11/2017 Mori D13/182
D803,803 S * 11/2017 Mori D13/182
D805,045 S * 12/2017 Mori D13/182
D810,707 S * 2/2018 Mori D13/182
D812,023 S * 3/2018 Mori D13/182
D831,594 S * 10/2018 Mori D13/182
10,121,715 B2 * 11/2018 Sakamoto H01L 23/055
10,219,382 B2 * 2/2019 Joo H01G 2/06

* cited by examiner

FIG. 1

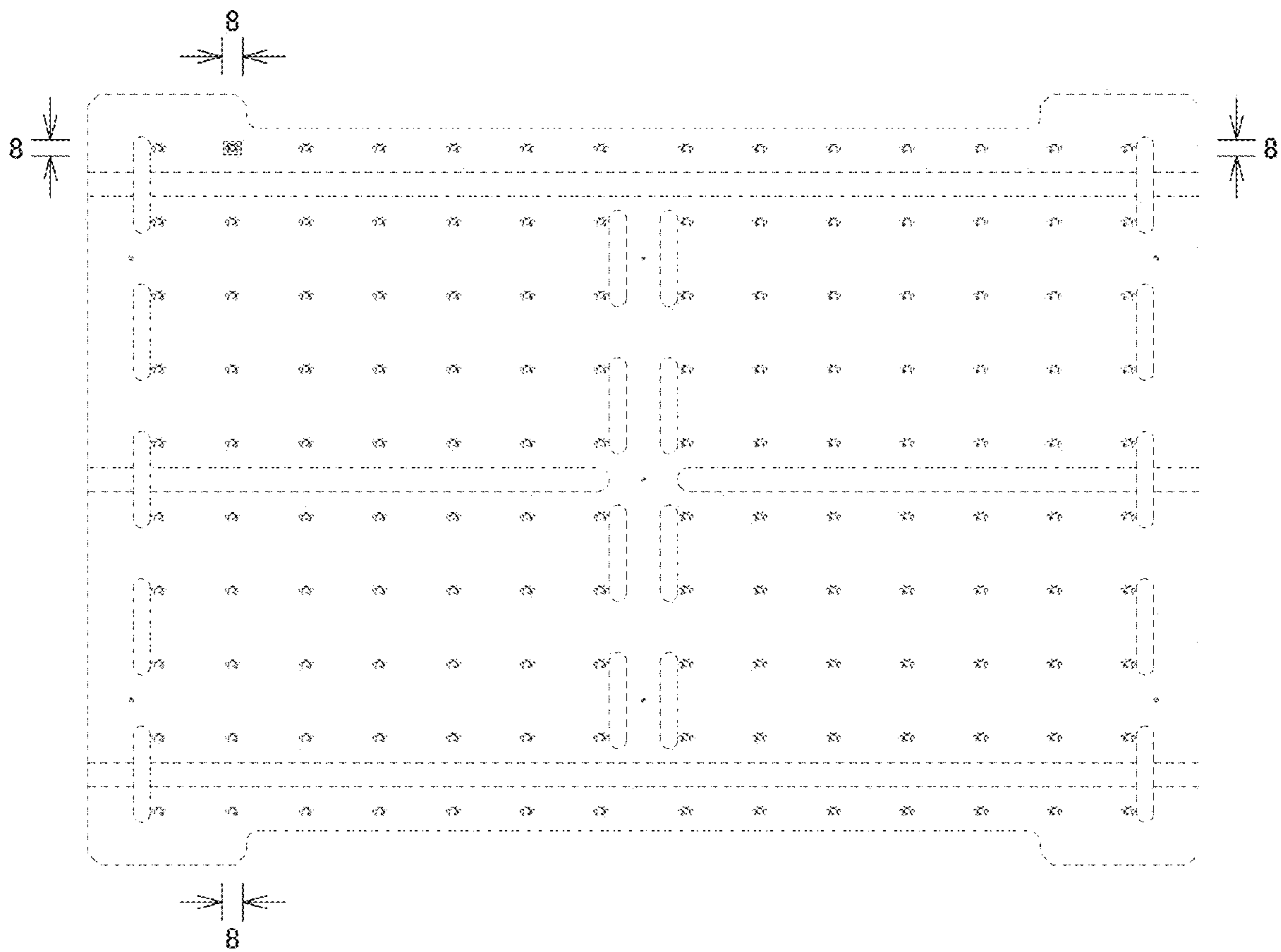


FIG.2

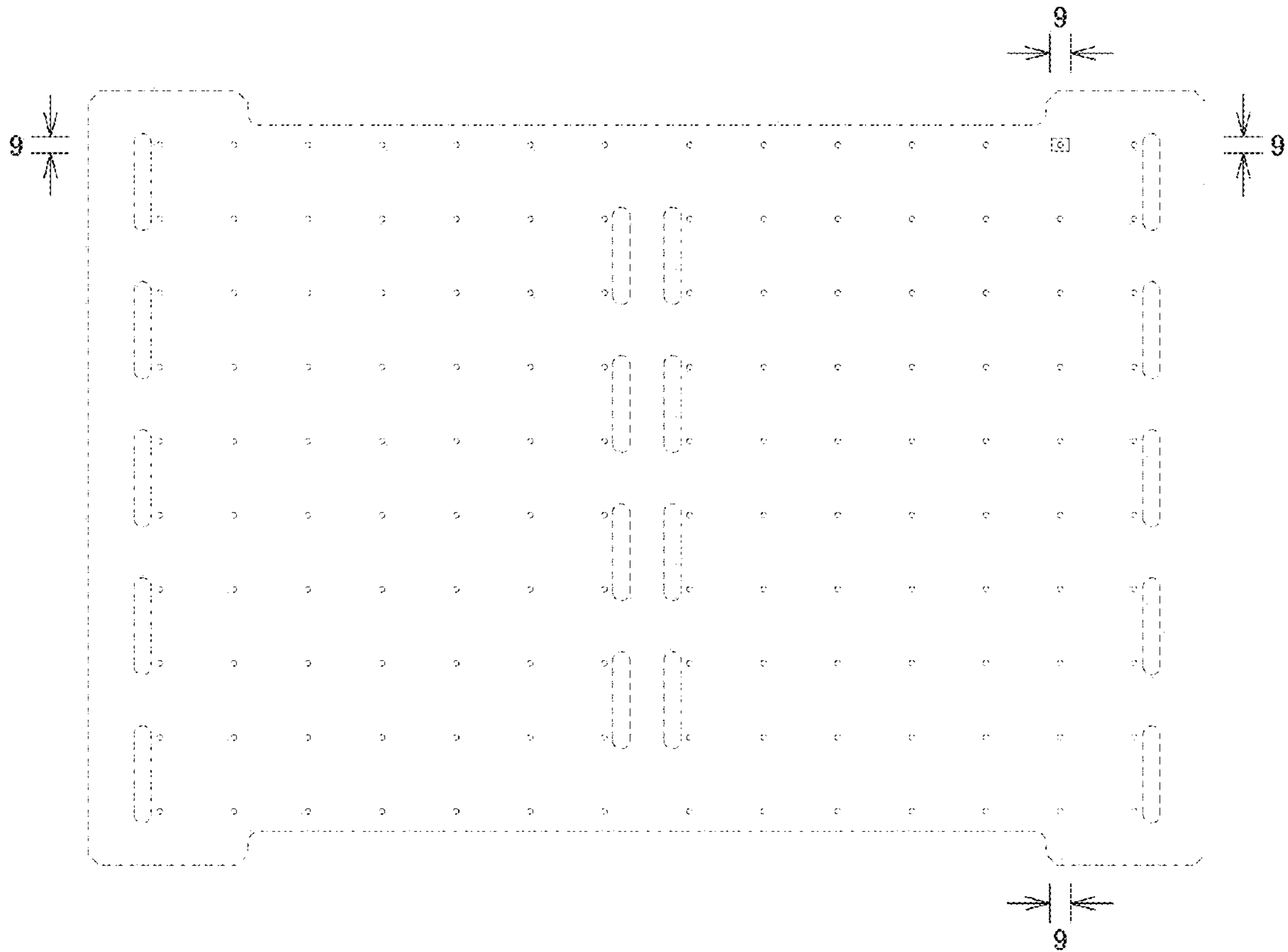


FIG.3

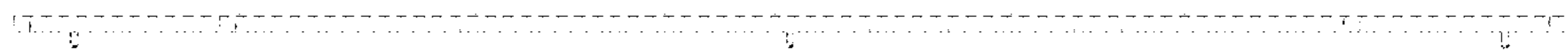


FIG.4

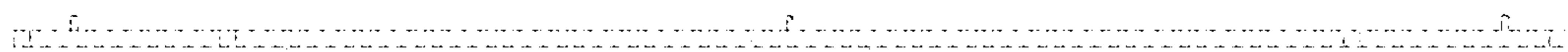


FIG.5

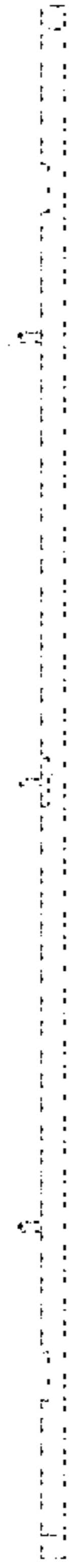


FIG.6

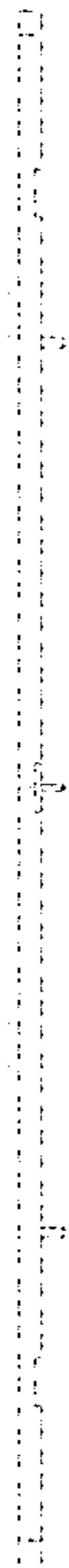


FIG.7

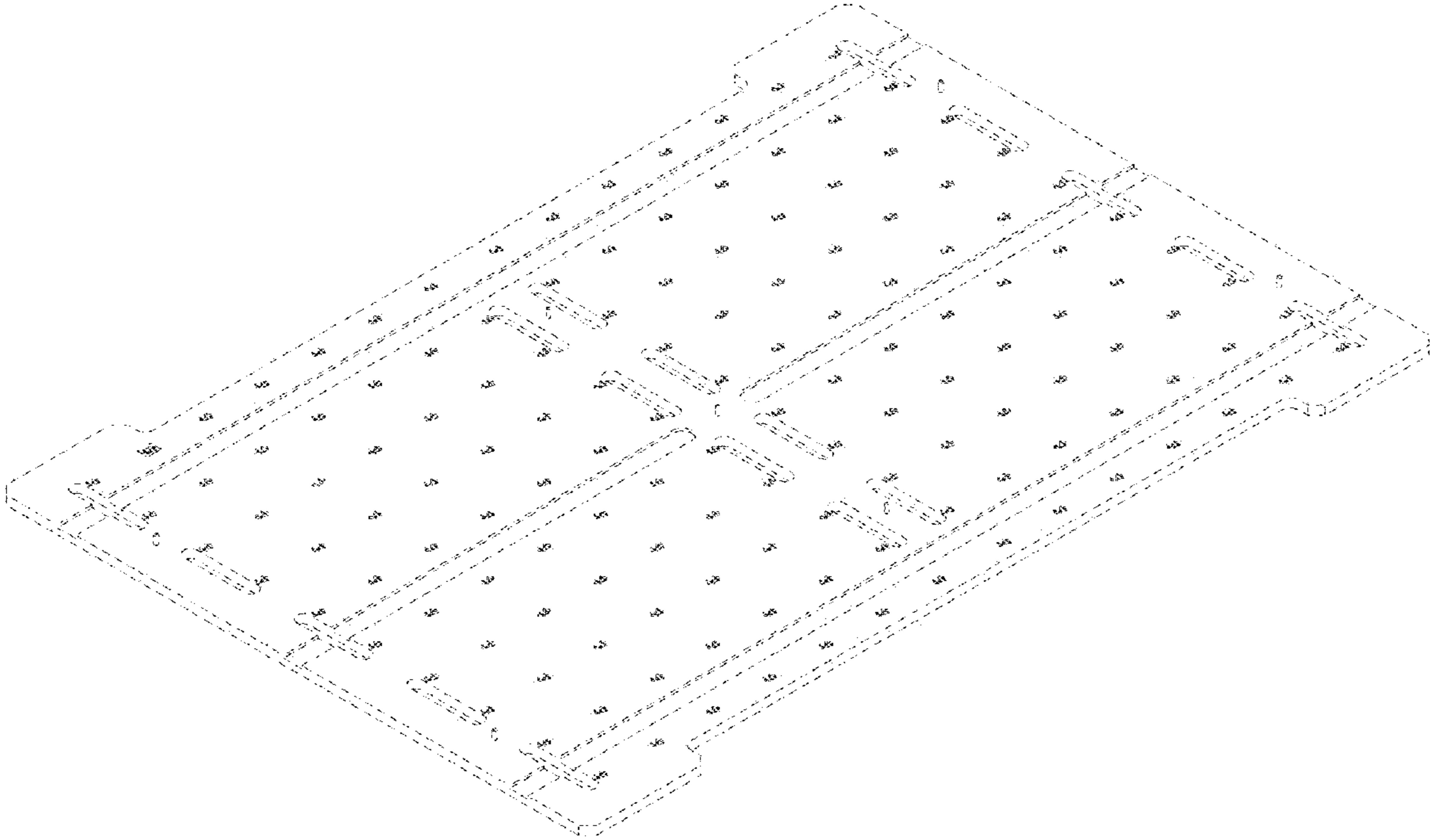


FIG.8

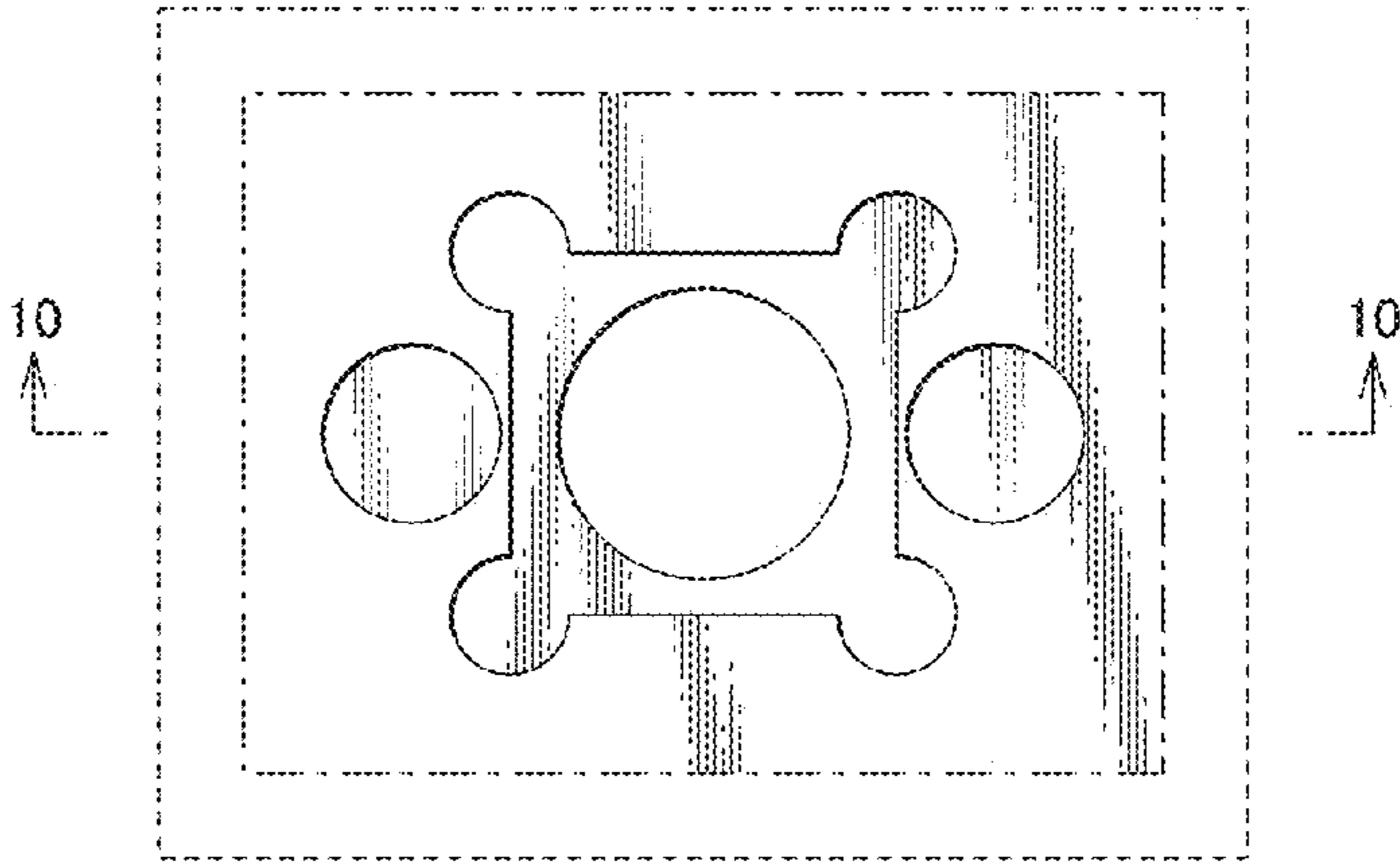


FIG.9

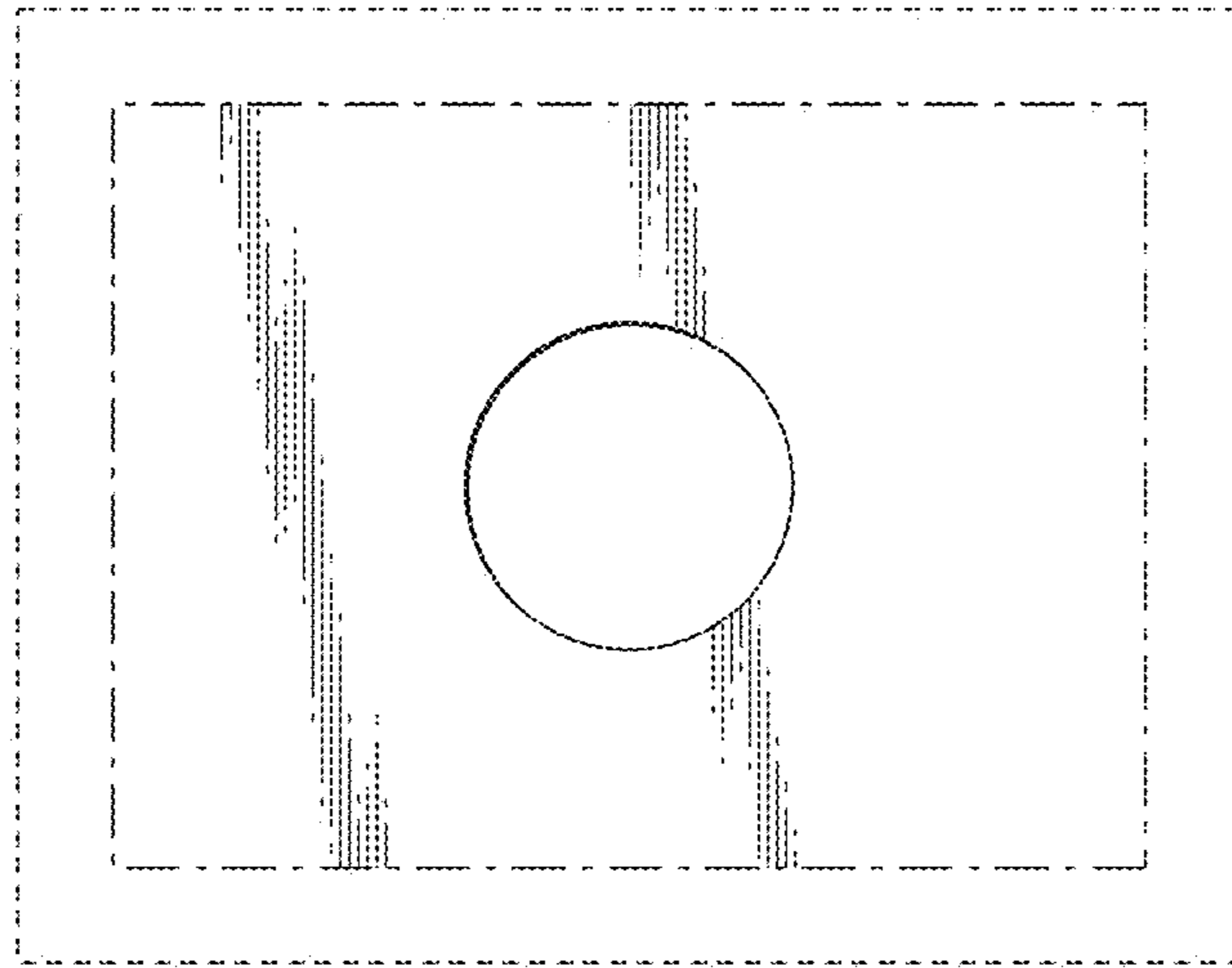


FIG.10

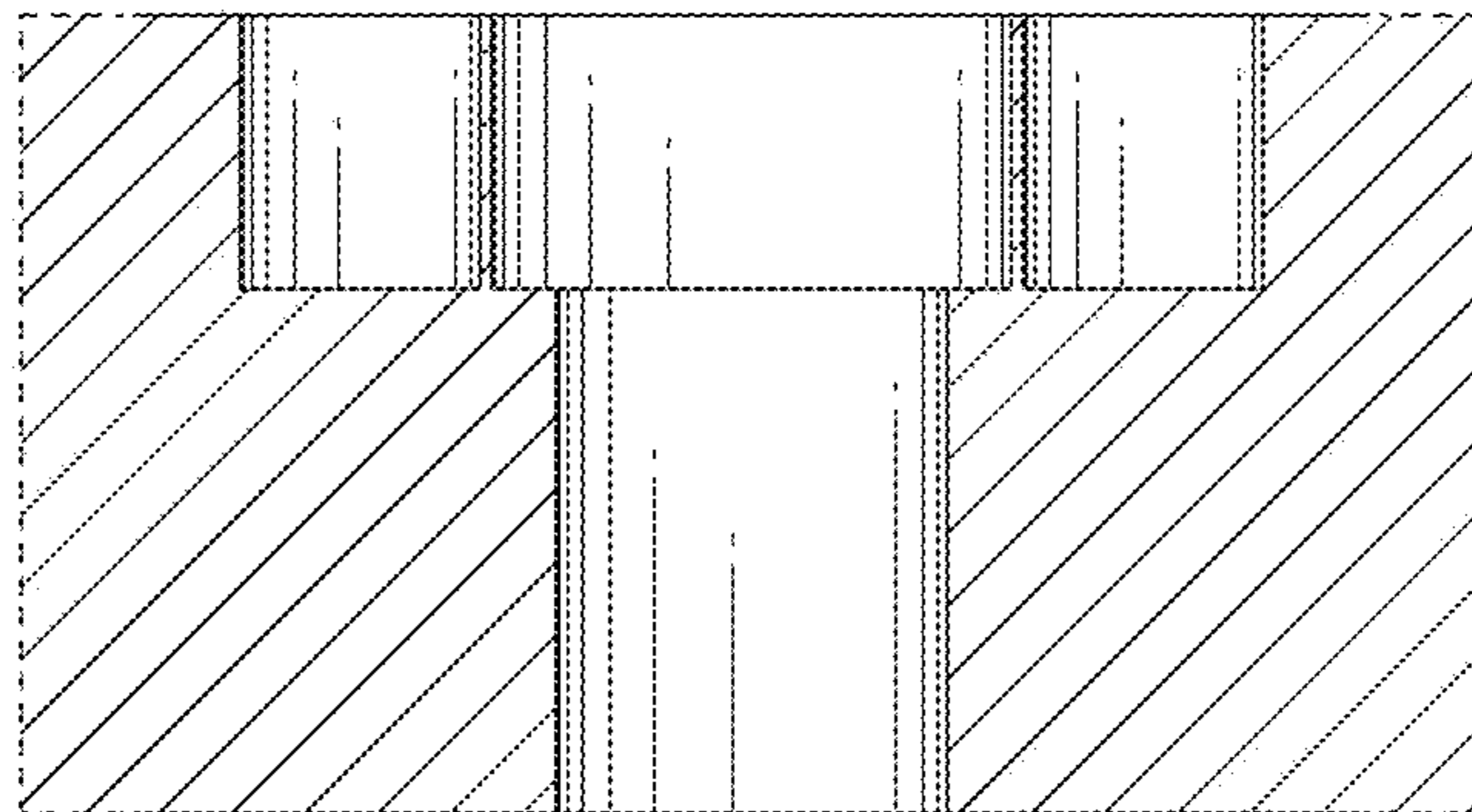


FIG.11

