



US00D877094S

(12) **United States Design Patent**  
**Nakao**

(10) **Patent No.:** **US D877,094 S**  
(45) **Date of Patent:** **\*\* Mar. 3, 2020**

(54) **CONTACT SPRING FOR ELECTRICAL SWITCH**

(71) Applicant: **Panasonic Intellectual Property Management Co., Ltd.**, Osaka-shi, Osaka (JP)

(72) Inventor: **Ryosuke Nakao**, Okayama (JP)

(73) Assignee: **Panasonic Intellectual Property Management Co., Ltd.**, Osaka (JP)

(\*\*) Term: **15 Years**

(21) Appl. No.: **29/659,935**

(22) Filed: **Aug. 14, 2018**

(30) **Foreign Application Priority Data**

Mar. 6, 2018 (JP) ..... 2018-004651

(51) **LOC (12) Cl.** ..... **13-03**

(52) **U.S. Cl.**  
USPC ..... **D13/173**

(58) **Field of Classification Search**  
USPC ..... D13/173, 199  
CPC ... F16F 1/00; F16F 1/322; H01H 5/18; H01H 5/30; H01H 13/14; H01H 13/48; H01H 2215/004

See application file for complete search history.

(56) **References Cited**

U.S. PATENT DOCUMENTS

- 4,822,959 A \* 4/1989 Schwab ..... H01H 13/48  
200/290
- 6,369,692 B1 \* 4/2002 Van Zeeland ..... G06F 3/0338  
200/6 R
- D563,328 S \* 3/2008 Sano ..... D13/173
- 7,354,032 B2 \* 4/2008 Buchhagen ..... F16F 1/324  
267/160
- D600,655 S 9/2009 Miyasaka et al.

- 8,960,655 B2 \* 2/2015 Wood ..... F16F 1/027  
267/159
- 9,633,800 B1 \* 4/2017 Tsai ..... H01H 13/14  
D802,544 S 11/2017 Goto et al.
- 10,304,641 B2 \* 5/2019 Watanabe ..... H01H 13/48
- 2006/0278011 A1 \* 12/2006 Miyasaka ..... G06F 3/0338  
73/753
- 2009/0200147 A1 \* 8/2009 Watanabe ..... H01H 13/023  
200/406
- 2012/0039026 A1 \* 2/2012 Dai ..... H01H 13/14  
361/679.01

(Continued)

FOREIGN PATENT DOCUMENTS

- JP D1428088 11/2011
- JP D1428459 11/2011

(Continued)

*Primary Examiner* — Selina Sikder

(74) *Attorney, Agent, or Firm* — Brinks Gilson & Lione

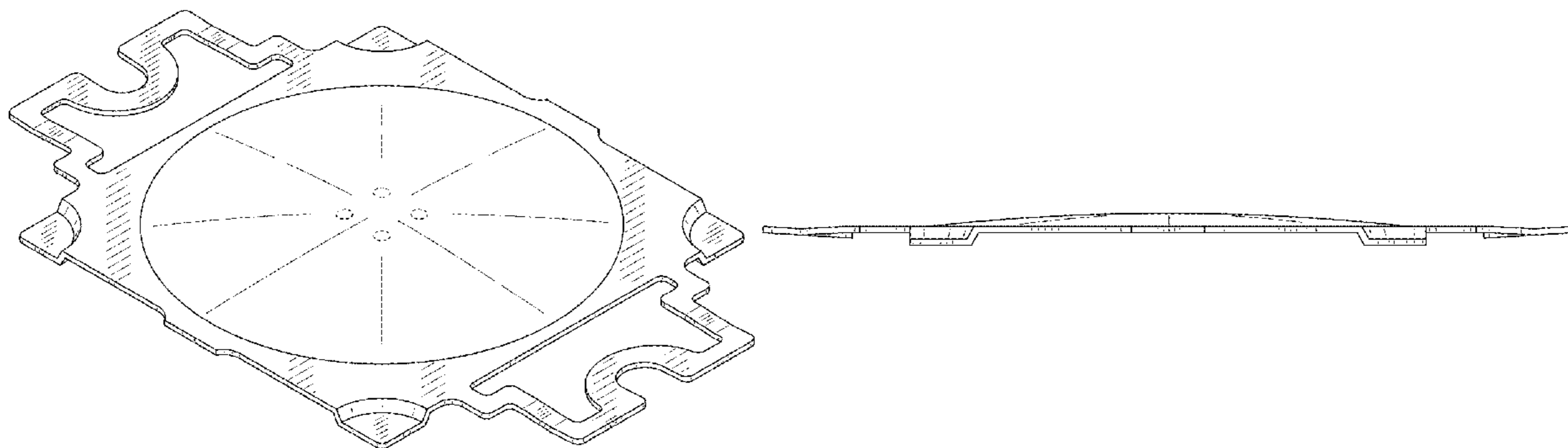
(57) **CLAIM**

I claim the ornamental design for a contact spring for electrical switch, as shown and described.

**DESCRIPTION**

FIG. 1 is a perspective view of a contact spring for electrical switch according to the present invention;  
 FIG. 2 is a front view thereof;  
 FIG. 3 is a rear view thereof;  
 FIG. 4 is a left side view thereof;  
 FIG. 5 is a right side view thereof;  
 FIG. 6 is a top view thereof;  
 FIG. 7 is a bottom view thereof; and,  
 FIG. 8 is a side view showing the portion of the contact spring for electrical switch defined by lines 8-8 in FIG. 6. The broken lines show parts of the contact spring for electrical switch that represent unclaimed subject matter and form no part of the claimed design.

**1 Claim, 8 Drawing Sheets**



(56)

**References Cited**

U.S. PATENT DOCUMENTS

2016/0064158 A1\* 3/2016 Nakase ..... H01H 13/14  
200/275  
2018/0025860 A1\* 1/2018 Wakuda ..... H01H 13/14  
200/341  
2018/0108501 A1\* 4/2018 Watanabe ..... H01H 13/48  
2018/0151313 A1\* 5/2018 Yashima ..... H01H 13/48  
2019/0088422 A1\* 3/2019 Thizon ..... F16J 15/064

FOREIGN PATENT DOCUMENTS

JP D1477930 8/2013  
JP D1542045 1/2016

\* cited by examiner

FIG. 1

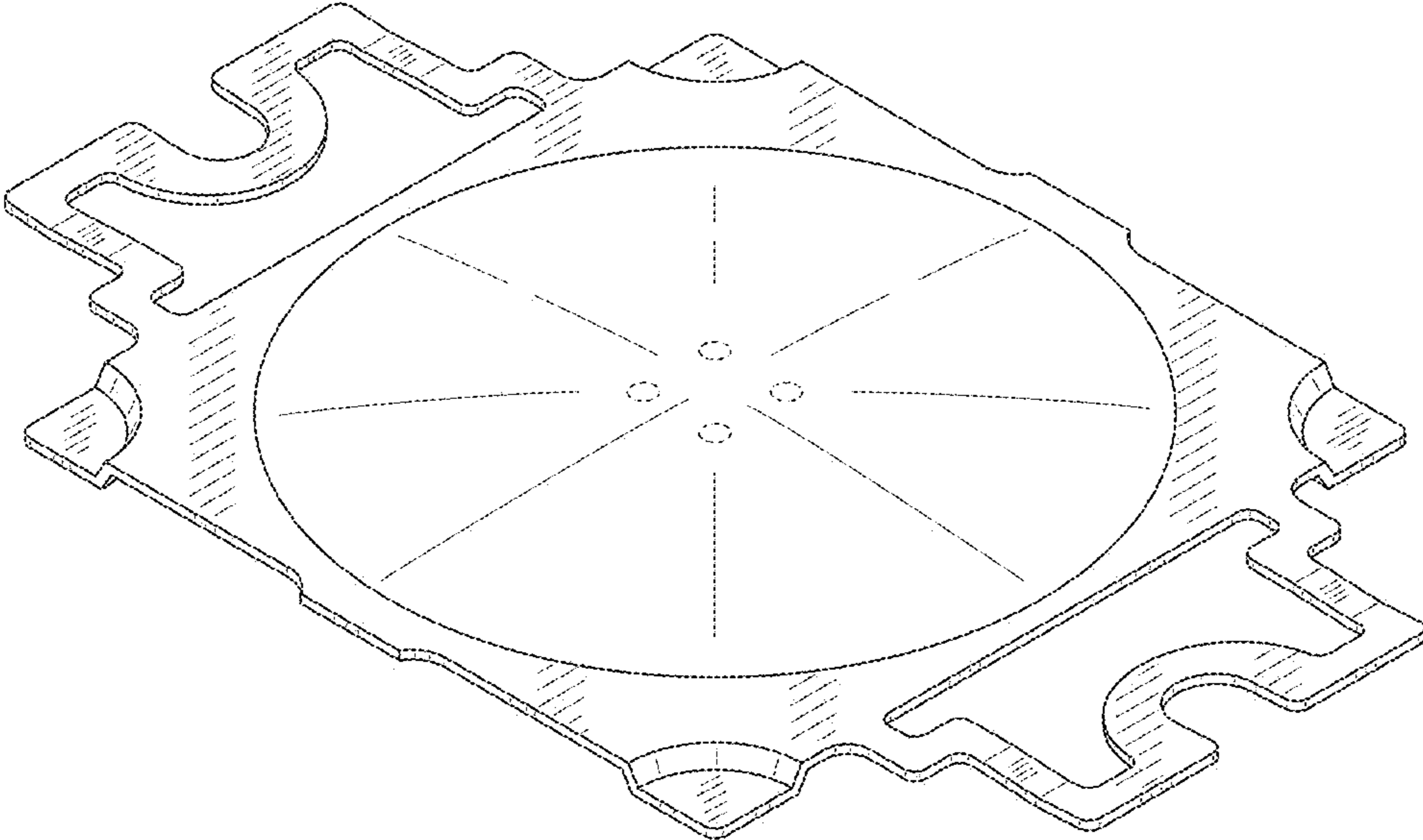


FIG. 2

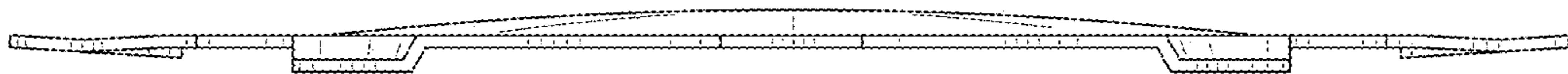


FIG. 3

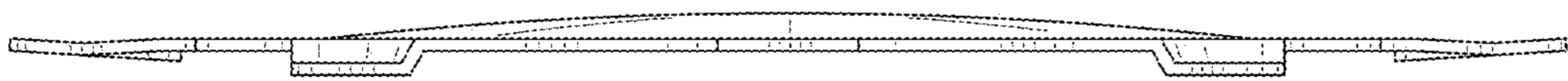


FIG. 4

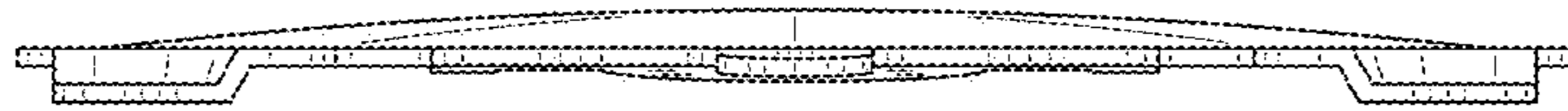


FIG. 5

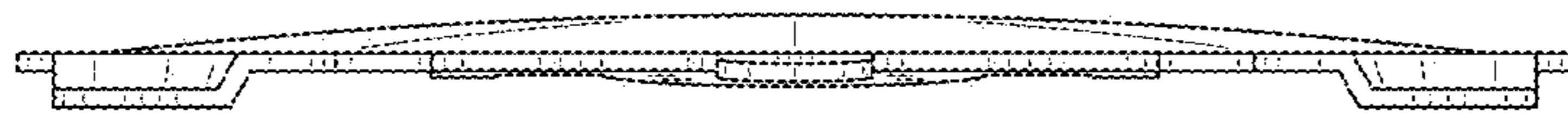


FIG. 6

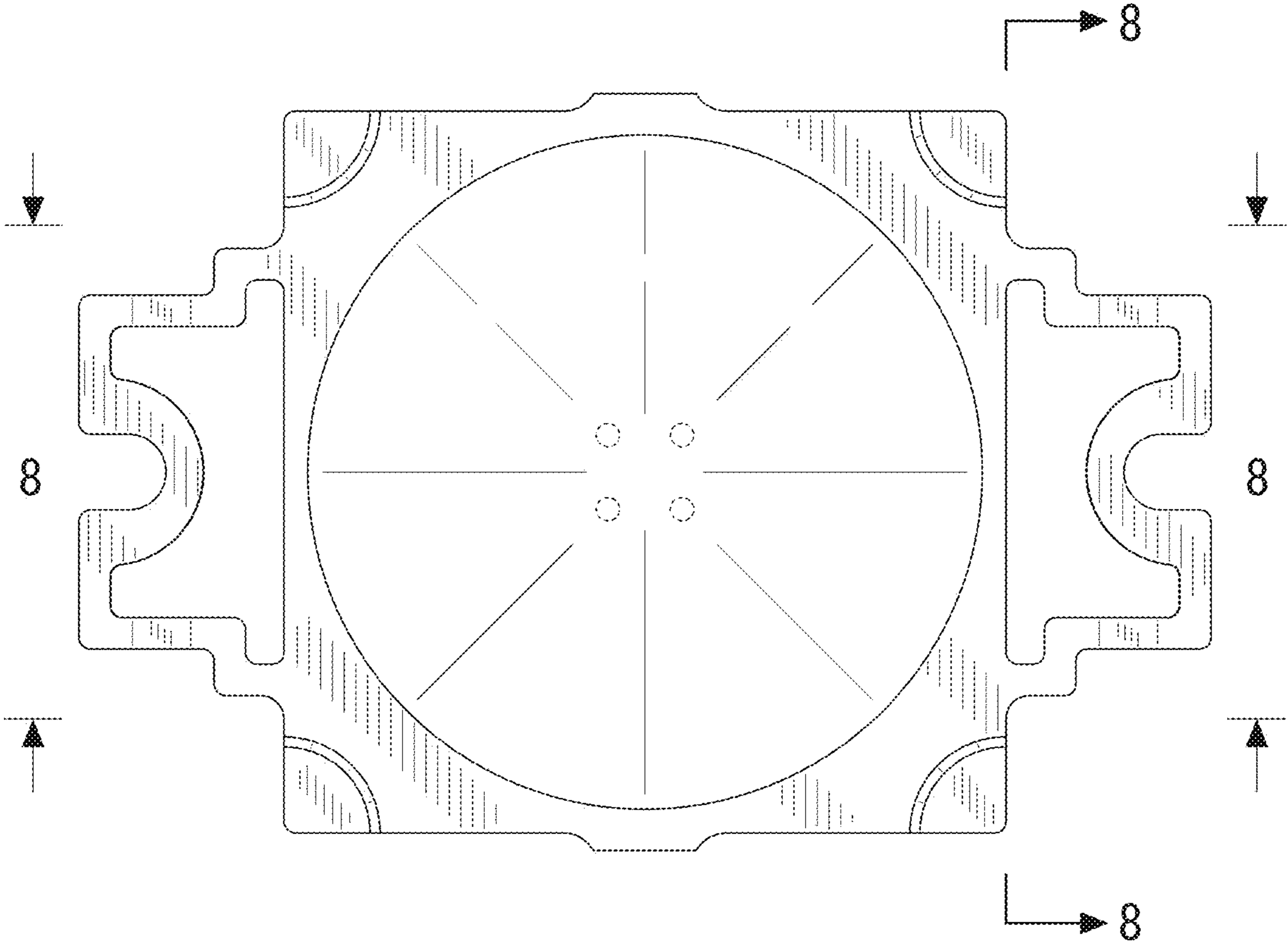




FIG. 7

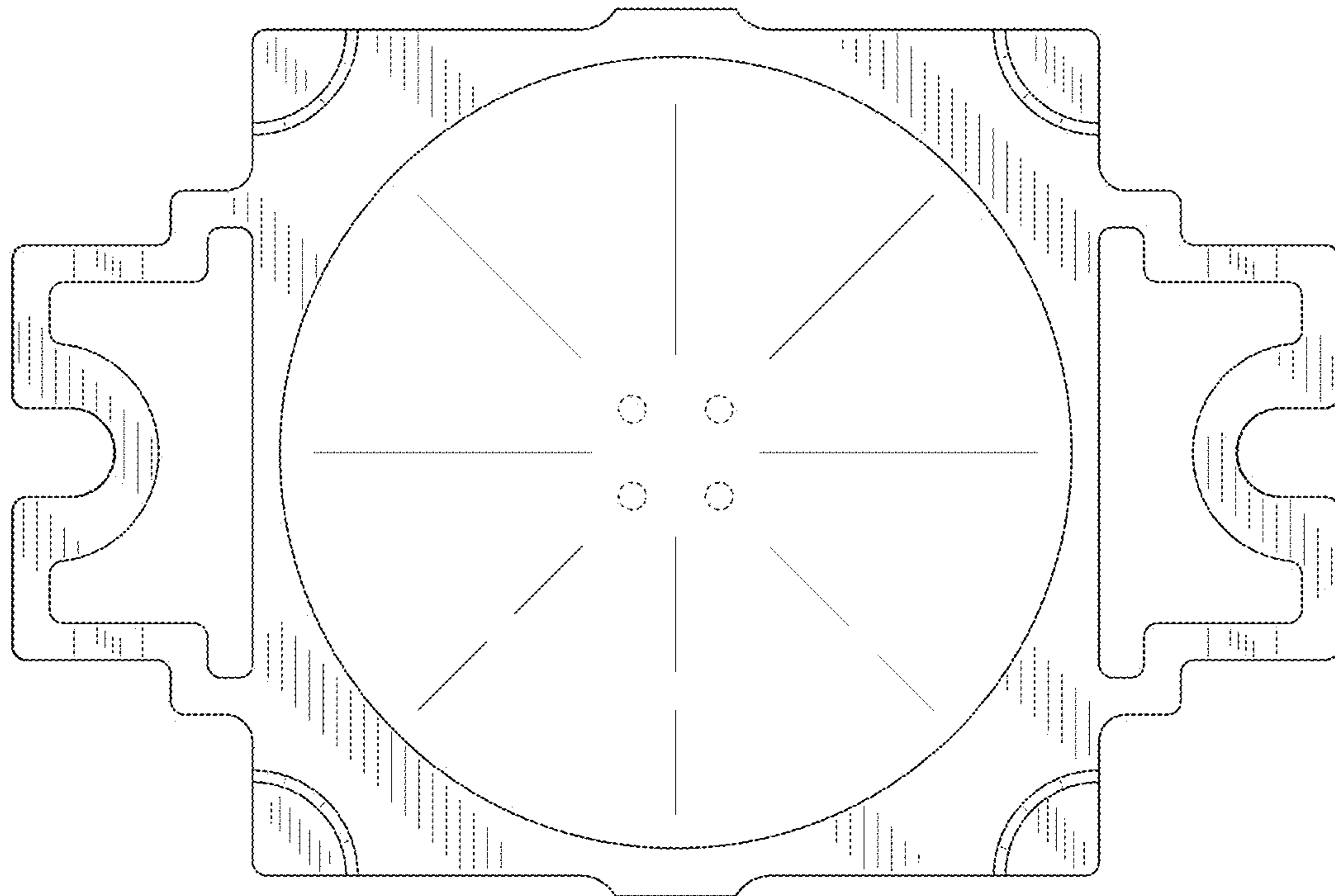


FIG. 8

