



US00D877091S

(12) **United States Design Patent**  
**Rath et al.**

(10) **Patent No.:** **US D877,091 S**  
(45) **Date of Patent:** **\*\* Mar. 3, 2020**

- (54) **SWITCH**
- (71) Applicant: **Raffel Systems, LLC**, Germantown, WI (US)
- (72) Inventors: **Mitchell P. Rath**, Menomonee Falls, WI (US); **Kenneth G. Seidl**, Port Washington, WI (US); **Dylan Klepps**, Milwaukee, WI (US)
- (73) Assignee: **RAFFEL SYSTEMS, LLC**, Germantown, WI (US)
- (\*\*) Term: **15 Years**
- (21) Appl. No.: **29/628,071**
- (22) Filed: **Dec. 1, 2017**
- (51) **LOC (12) Cl.** ..... **13-03**
- (52) **U.S. Cl.**  
USPC ..... **D13/169**
- (58) **Field of Classification Search**  
USPC ..... D13/162, 164, 171, 173, 174, 169  
CPC ..... H01H 3/02; H01H 3/022; H01H 3/12; H01H 3/122; H01H 9/02; H01H 9/0235; H01H 13/023; H01H 13/04; H01H 13/06; H01H 13/063; H01H 13/10; H01H 13/12; H01H 13/14; H01H 13/36; H01H 13/70; H01H 13/86; H01H 21/24; H01H 25/065; A47C 1/0345; A47C 1/035; A47C 7/506  
See application file for complete search history.

- D534,870 S 1/2007 Metschen et al.
- D571,308 S 6/2008 Gastelum et al.
- D607,852 S 1/2010 Riede
- 8,106,325 B2 \* 1/2012 Laurent ..... H01H 13/70  
200/296
- D689,825 S 9/2013 Wenji et al.
- 8,766,115 B2 7/2014 Kristen
- 8,884,175 B2 11/2014 Botez et al.
- D720,305 S 12/2014 Wenji
- D733,078 S 6/2015 Wu
- D733,652 S \* 7/2015 Wenji ..... D13/123
- D739,361 S 9/2015 Wenji
- D740,238 S 10/2015 Dorn et al.
- D740,763 S 10/2015 Wenji
- D748,590 S 2/2016 Dorn et al.
- D758,325 S 6/2016 Cook et al.
- D758,326 S 6/2016 Dorn et al.
- D758,975 S 6/2016 Hunter et al.
- D764,420 S \* 8/2016 Naka ..... D13/171
- D777,688 S 1/2017 Seidl et al.
- D782,987 S 4/2017 Gassner

(Continued)

*Primary Examiner* — Selina Sikder  
(74) *Attorney, Agent, or Firm* — Casimir Jones S.C.; Tyler Sisk

(57) **CLAIM**

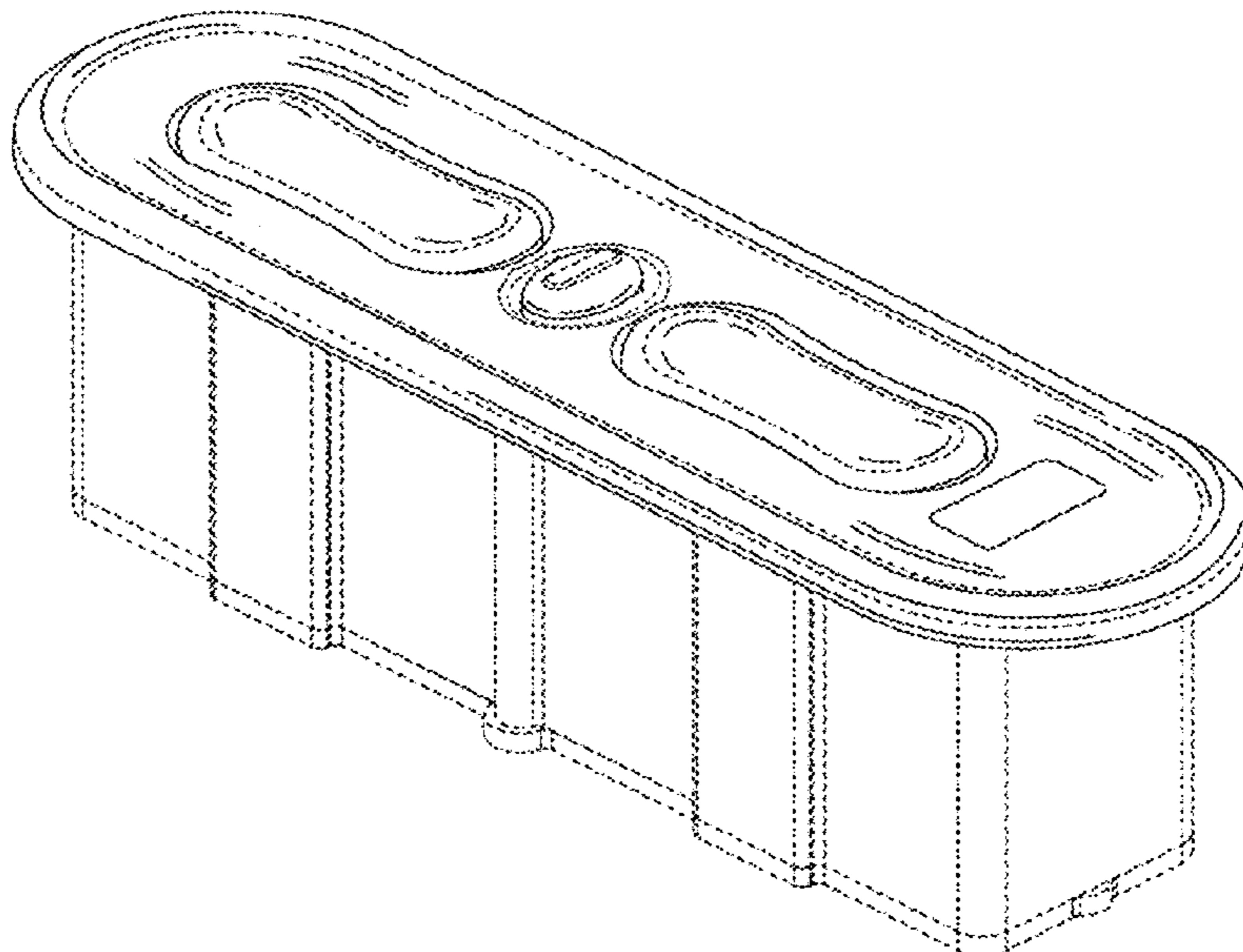
The ornamental design for a switch, as shown and described.

**DESCRIPTION**

FIG. 1 is a three-quarter perspective view showing our new design of a switch;  
FIG. 2 is a front elevational view thereof;  
FIG. 3 is a rear elevational thereof;  
FIG. 4 is a left side elevational view thereof;  
FIG. 5 is a right side elevational view thereof;  
FIG. 6 is a top plan view thereof; and,  
FIG. 7 is a bottom plan view thereof.  
In the drawings, the broken lines depict portions of the switch that form no part of the claimed design.

**1 Claim, 7 Drawing Sheets**

- (56) **References Cited**  
U.S. PATENT DOCUMENTS
- D305,018 S 12/1989 Pena et al.
- D305,019 S 12/1989 Pena et al.
- 5,362,932 A 11/1994 Inagaki et al.
- 6,800,819 B2 10/2004 Sato et al.
- 6,841,748 B2 1/2005 Serizawa et al.
- 7,087,847 B2 8/2006 Parkinson et al.



(56)

**References Cited**

U.S. PATENT DOCUMENTS

D786,805	S	5/2017	Anderson et al.	
9,640,343	B2	5/2017	Koch	
D788,718	S *	6/2017	Tang .....	D13/169
D788,719	S	6/2017	Li et al.	
9,804,632	B2	10/2017	Gassner	
D808,910	S *	1/2018	Gassner .....	D13/169
D813,179	S *	3/2018	Wu .....	D13/169
D817,898	S	5/2018	Seidl et al.	
D821,986	S	7/2018	Seidl et al.	
2011/0198894	A1	8/2011	Hsieh et al.	
2014/0353134	A1	12/2014	Muller	

\* cited by examiner

FIG. 1

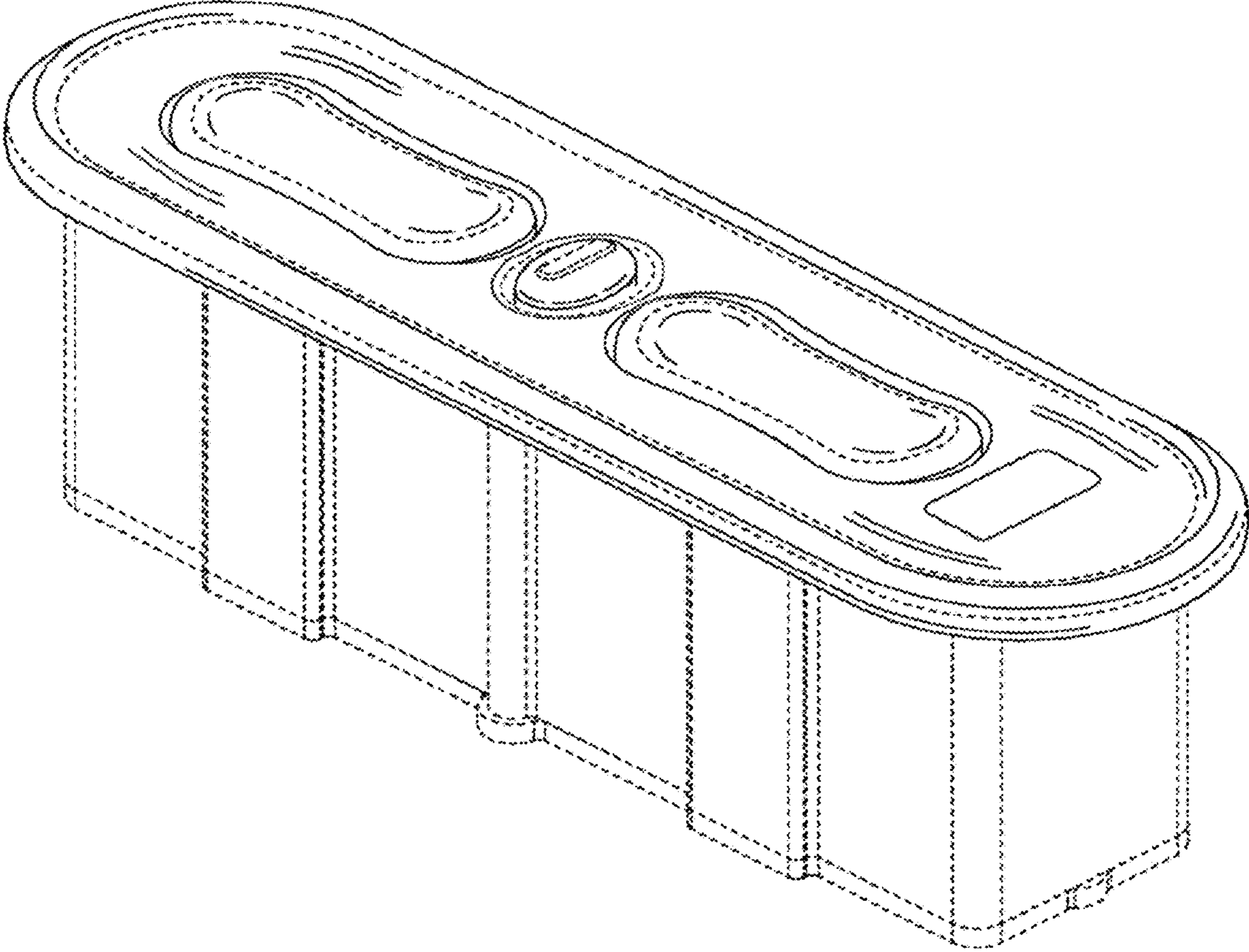


FIG. 2

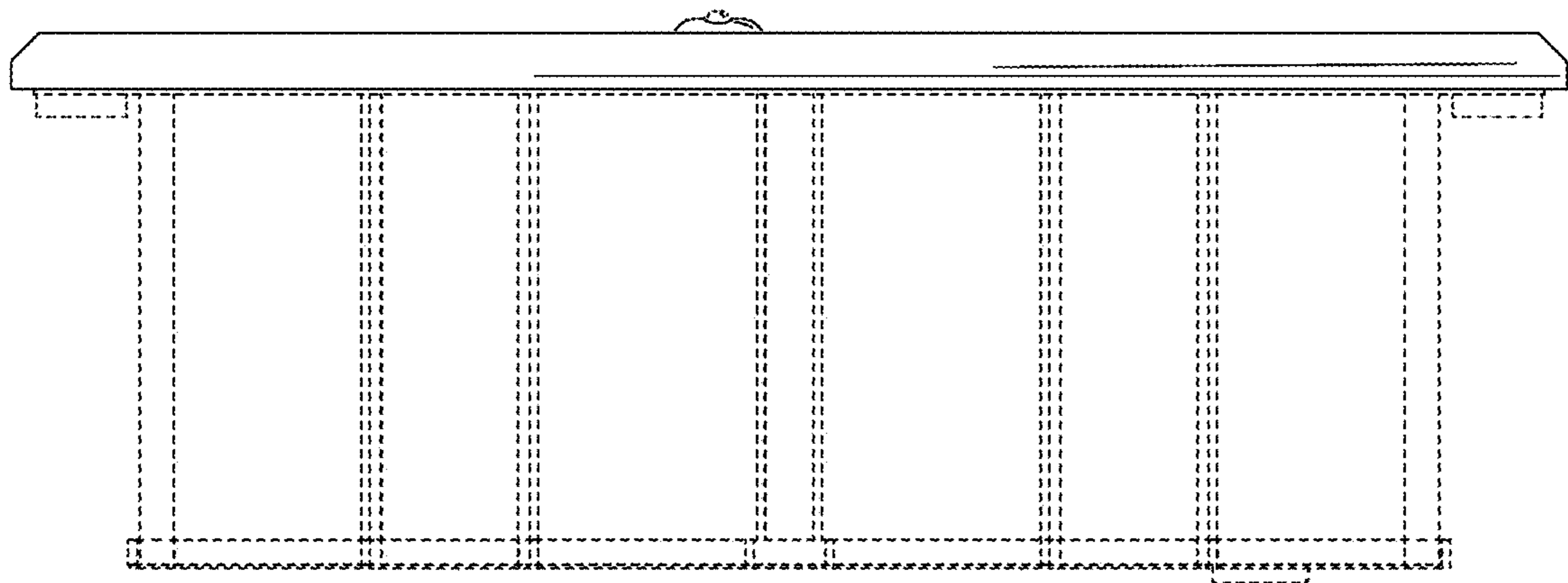


FIG. 3

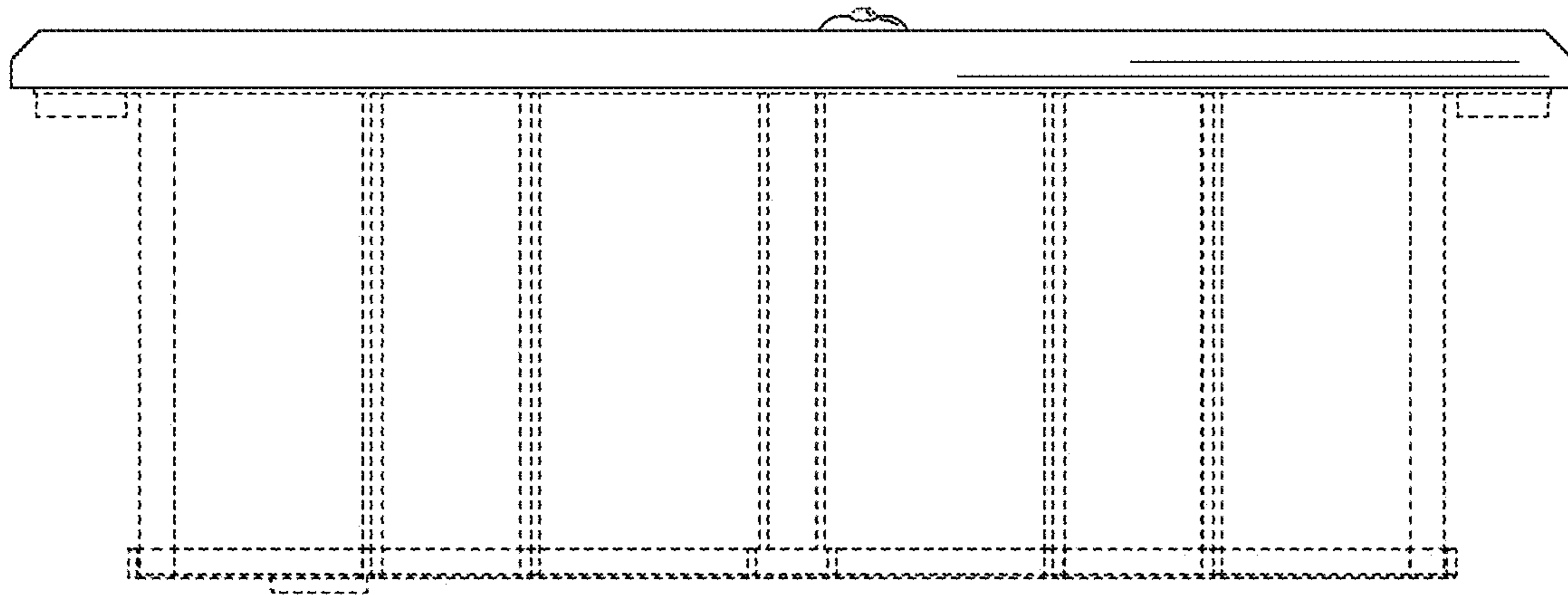


FIG. 4

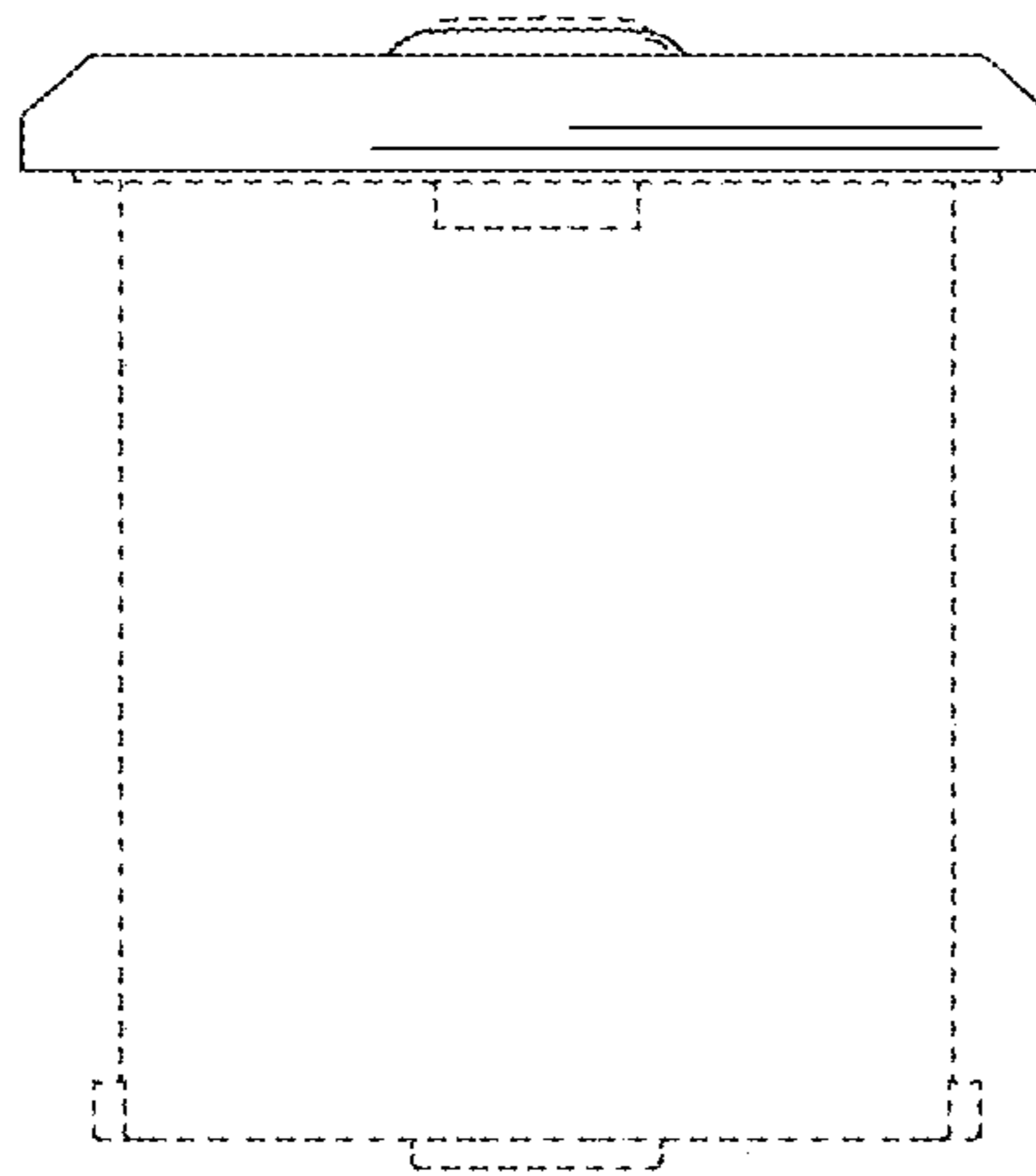


FIG. 5

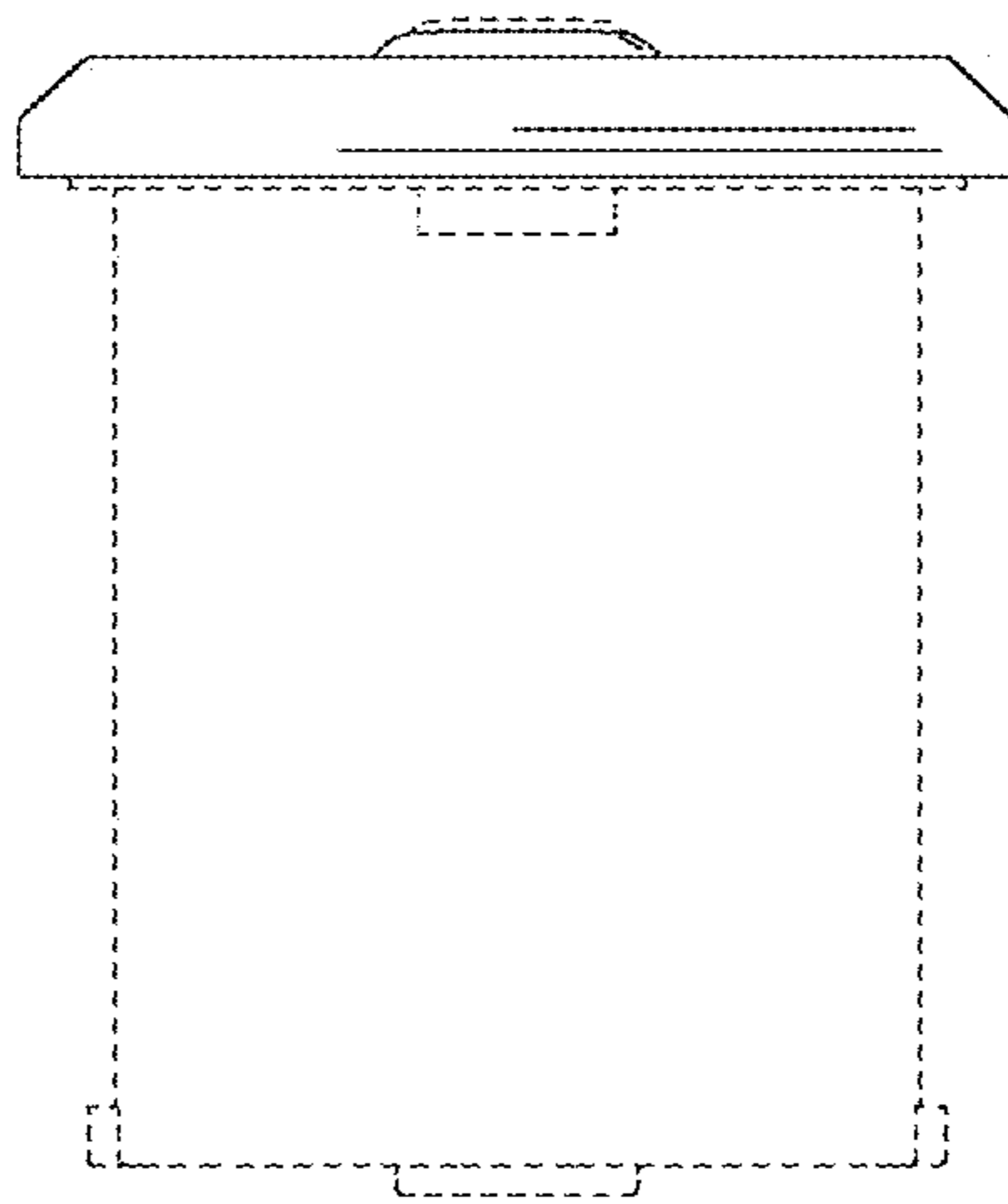


FIG. 6

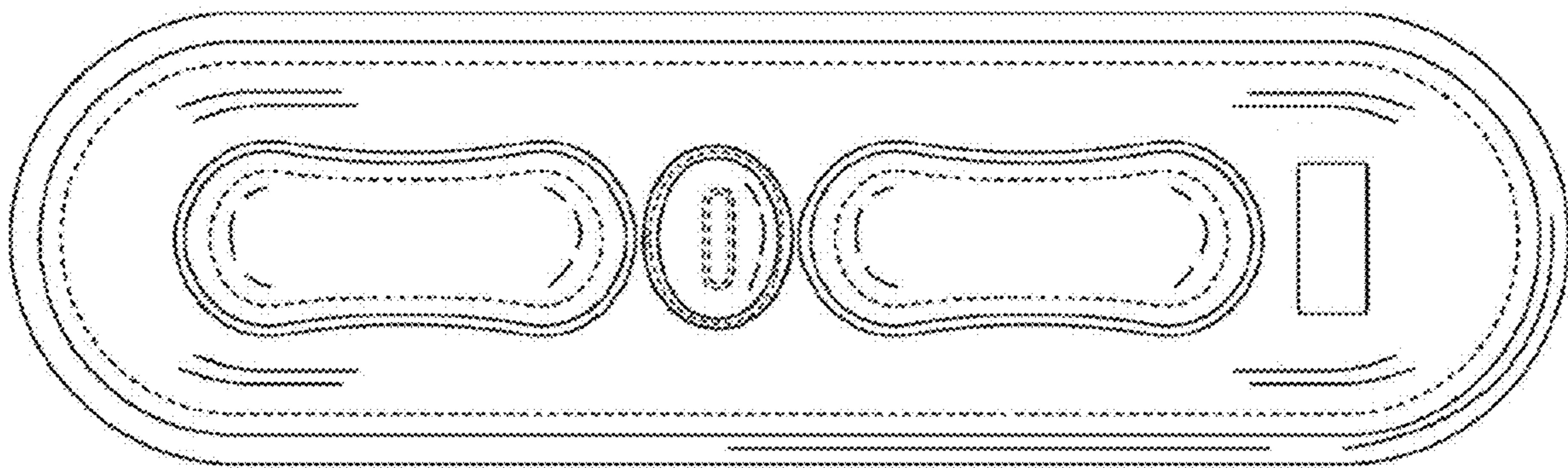




FIG. 7

