



US00D877089S

(12) **United States Design Patent**
Landqvist

(10) **Patent No.:** **US D877,089 S**
(45) **Date of Patent:** **** Mar. 3, 2020**

(54) **CONDUIT SEAL**

- (71) Applicant: **Roxtec AB**, Karlskrona (SE)
- (72) Inventor: **Jörgen Landqvist**, Karlskrona (SE)
- (73) Assignee: **Roxtec AB**, Karlskrona (SE)
- (**) Term: **15 Years**
- (21) Appl. No.: **29/600,168**
- (22) Filed: **Apr. 10, 2017**

Related U.S. Application Data

- (62) Division of application No. 29/507,153, filed on Oct. 24, 2014, now Pat. No. Des. 790,476.

Foreign Application Priority Data

- Apr. 25, 2014 (EM) 002453464
- (51) **LOC (12) Cl.** **13-03**
- (52) **U.S. Cl.**
USPC **D13/155**
- (58) **Field of Classification Search**
USPC D13/155, 133, 146, 149, 151, 153, 154,
D13/156, 184, 199; D8/349, 354, 356,
D8/394, 396; D23/259, 262, 386;
174/68.1, 68.3, 145, 154, 158 R, 650,
174/655, 656, 657, 659, 665, 666;
439/142, 319, 544, 552, 709, 724, 798,
439/810, 811, 814
CPC .. H02G 3/04; H02G 3/06; H02G 3/18; H02G
3/22; H01R 9/05; H01R 4/00; H01R
13/44; H01R 13/52; H01R 13/60; H01R
13/504

See application file for complete search history.

(56) **References Cited**

U.S. PATENT DOCUMENTS

D222,469 S	10/1971	Plummer	
3,987,991 A *	10/1976	Keever	F16L 3/16 248/49
4,323,088 A	4/1982	McClellan	
5,192,039 A *	3/1993	Williams	F16L 59/135 138/107
D590,022 S	4/2009	Misumi	
7,790,252 B2	9/2010	Nematollahi	
7,950,609 B2 *	5/2011	Pothanikat	F16L 59/135 248/55
8,074,945 B2	12/2011	Schoenau	
D663,697 S	7/2012	Shen	
D715,744 S *	10/2014	Millevik	D13/155

* cited by examiner

Primary Examiner — Derrick E Holland

(74) *Attorney, Agent, or Firm* — Merchant & Gould P.C.

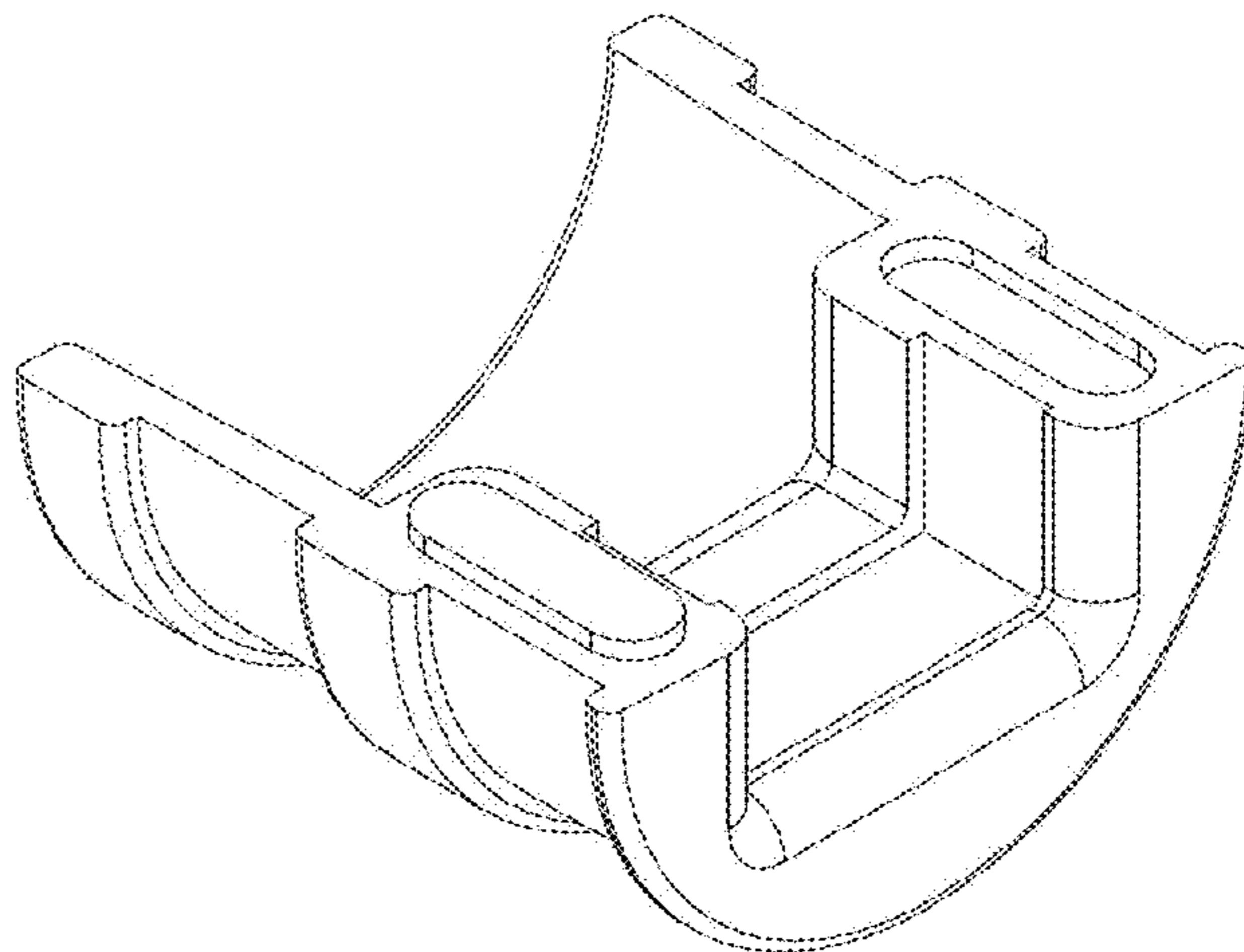
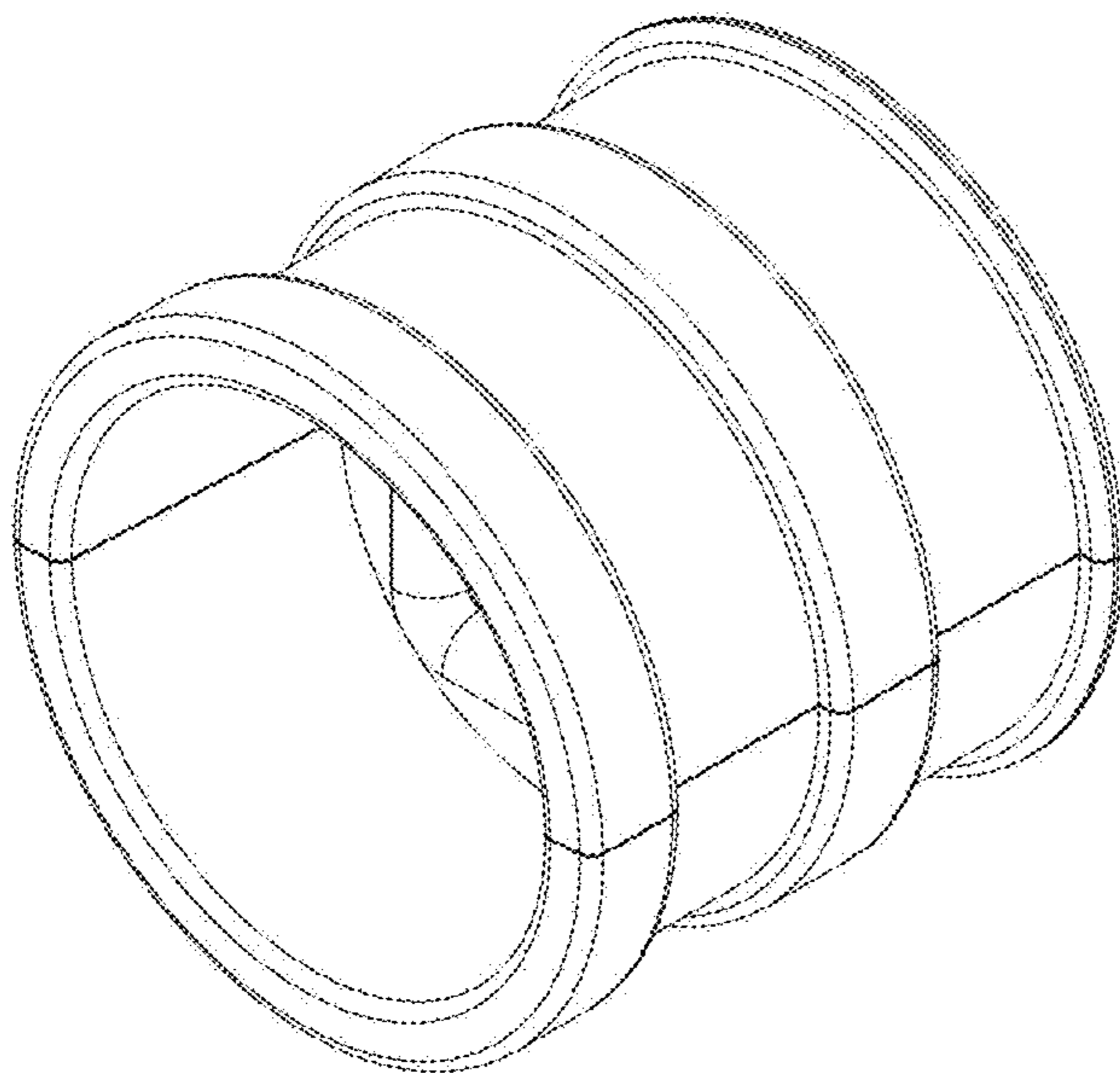
(57) **CLAIM**

The ornamental design for a conduit seal, as shown and described.

DESCRIPTION

FIG. 1 is a perspective back view of a conduit seal.
 FIG. 2 is a back view of the conduit seal of FIG. 1.
 FIG. 3 is a front view of the conduit seal of FIG. 1.
 FIG. 4 is a perspective view of a first part of the conduit seal of FIG. 1, shown separated for ease of illustration.
 FIG. 5 is a perspective view of a second part of the conduit seal of FIG. 1 shown separated for ease of illustration; and,
 FIG. 6 is a perspective front view of the conduit seal of FIG. 1.

1 Claim, 6 Drawing Sheets



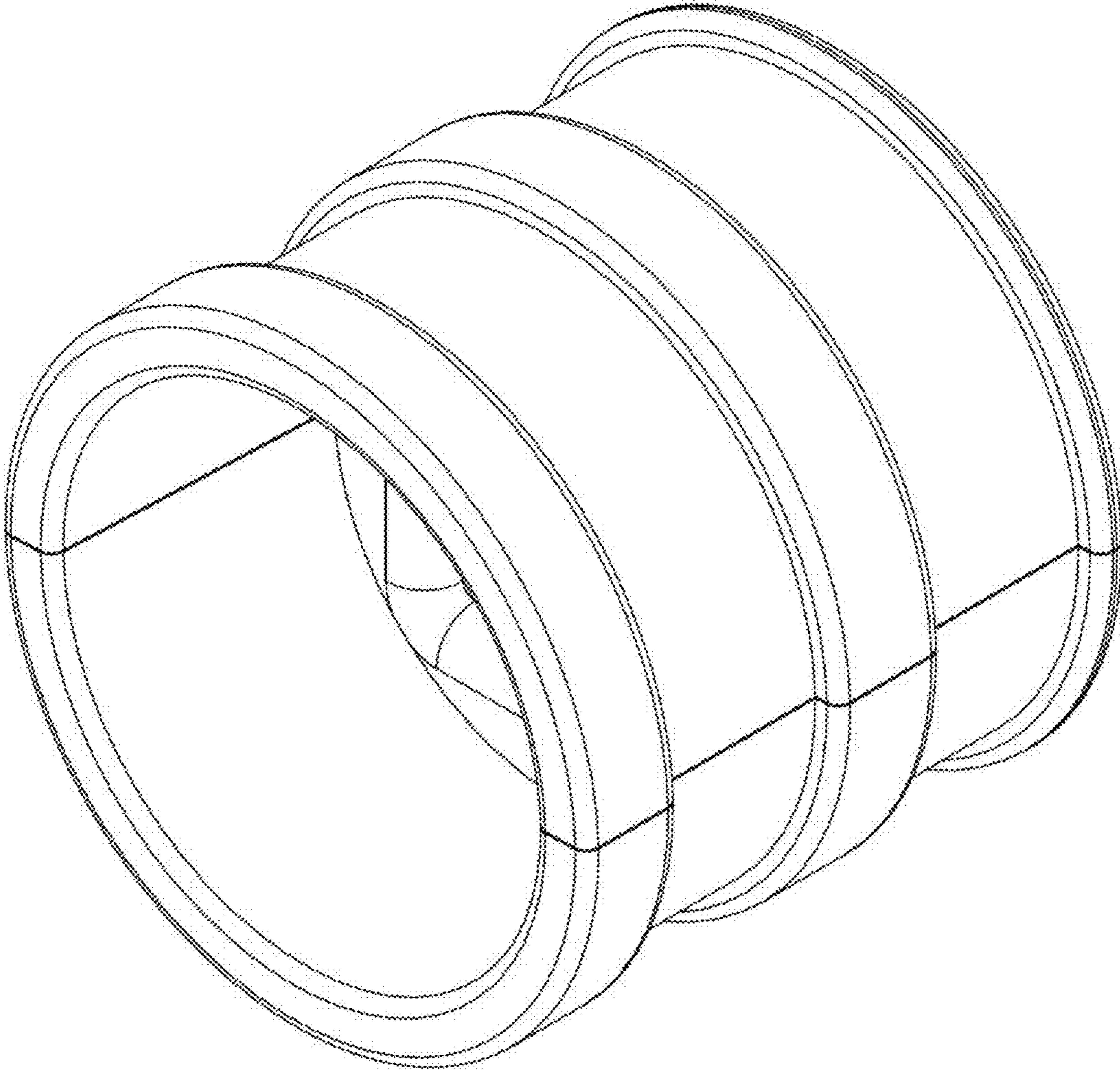


FIGURE 1

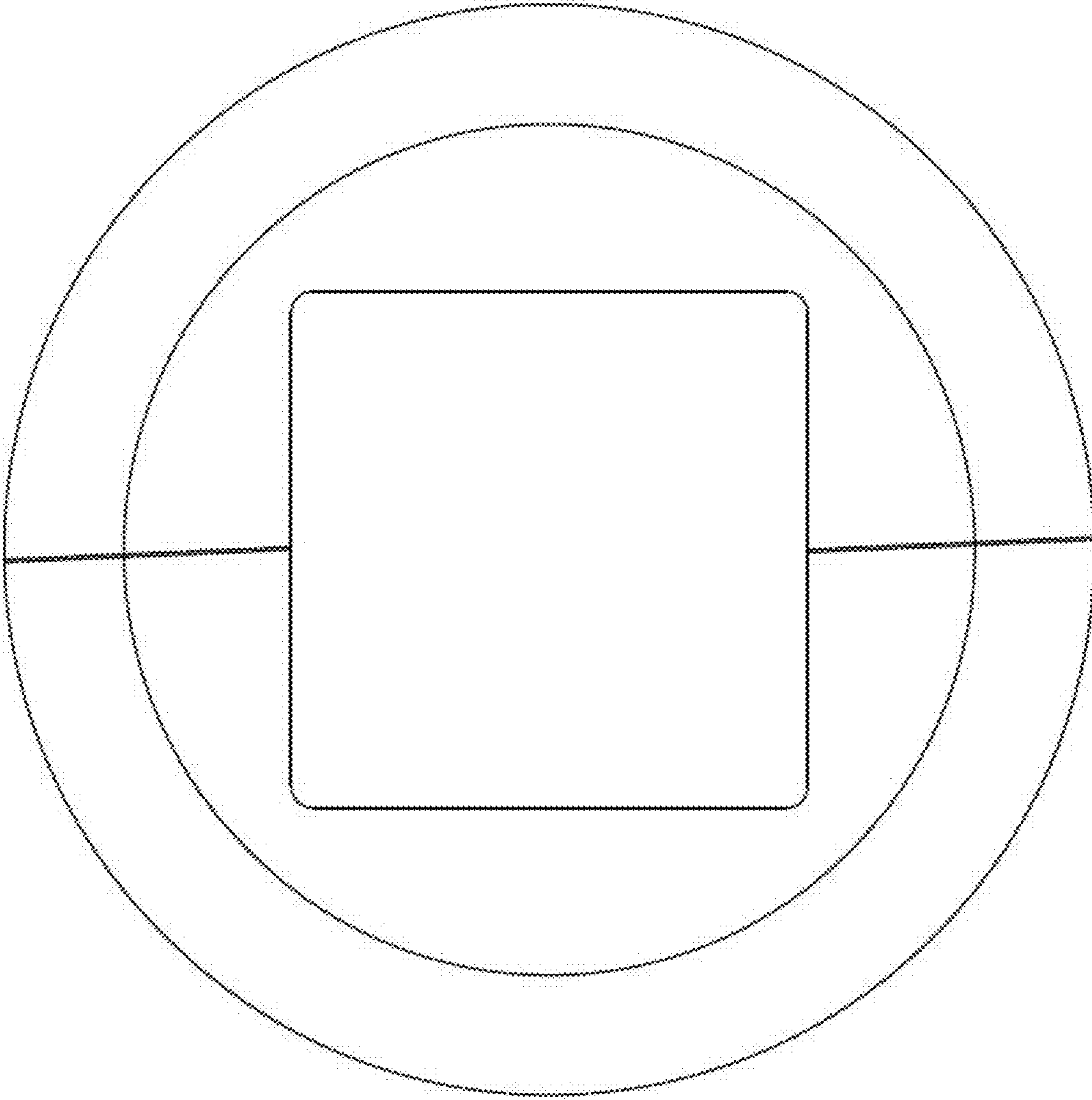


FIGURE 2

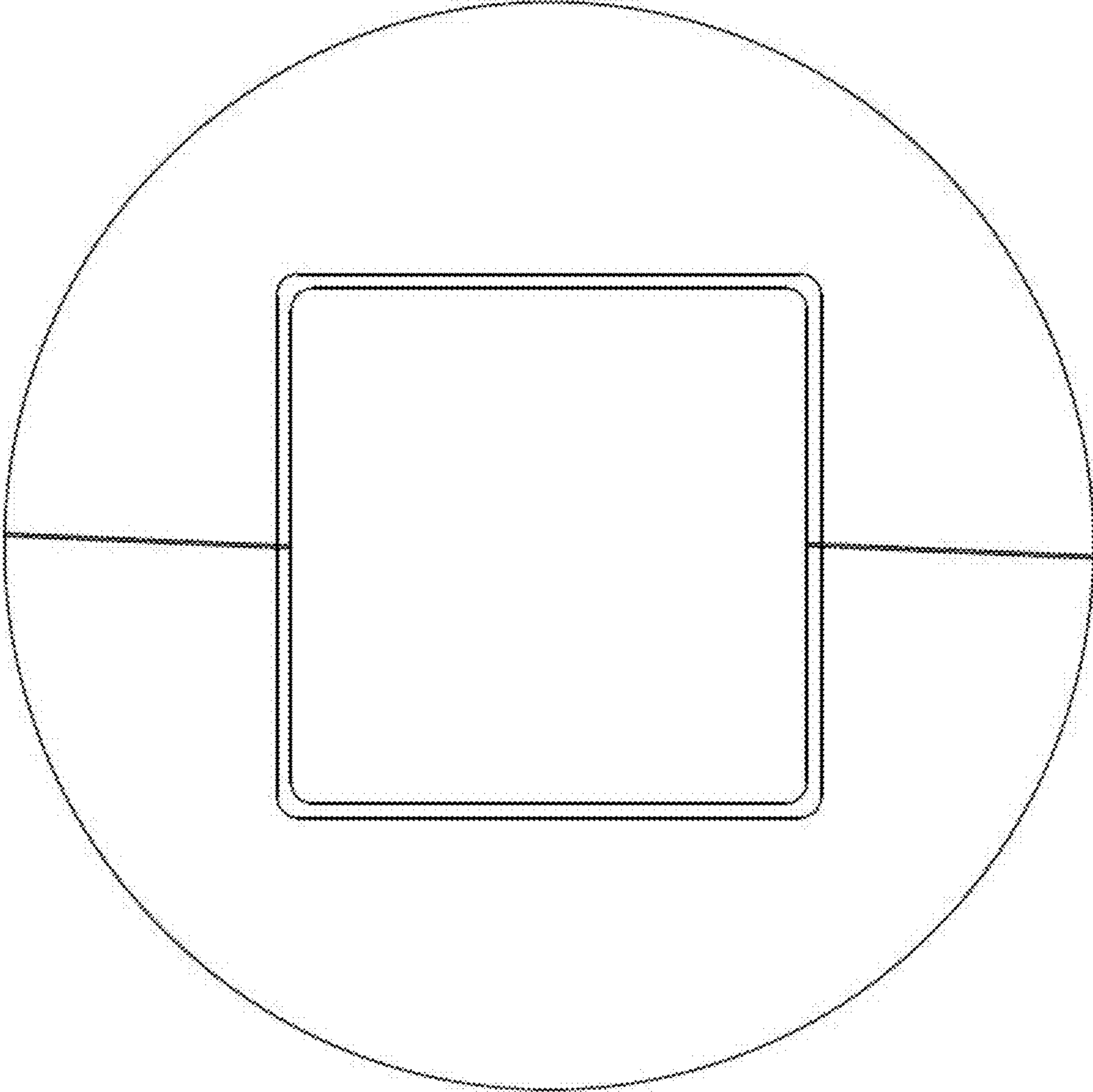


FIGURE 3

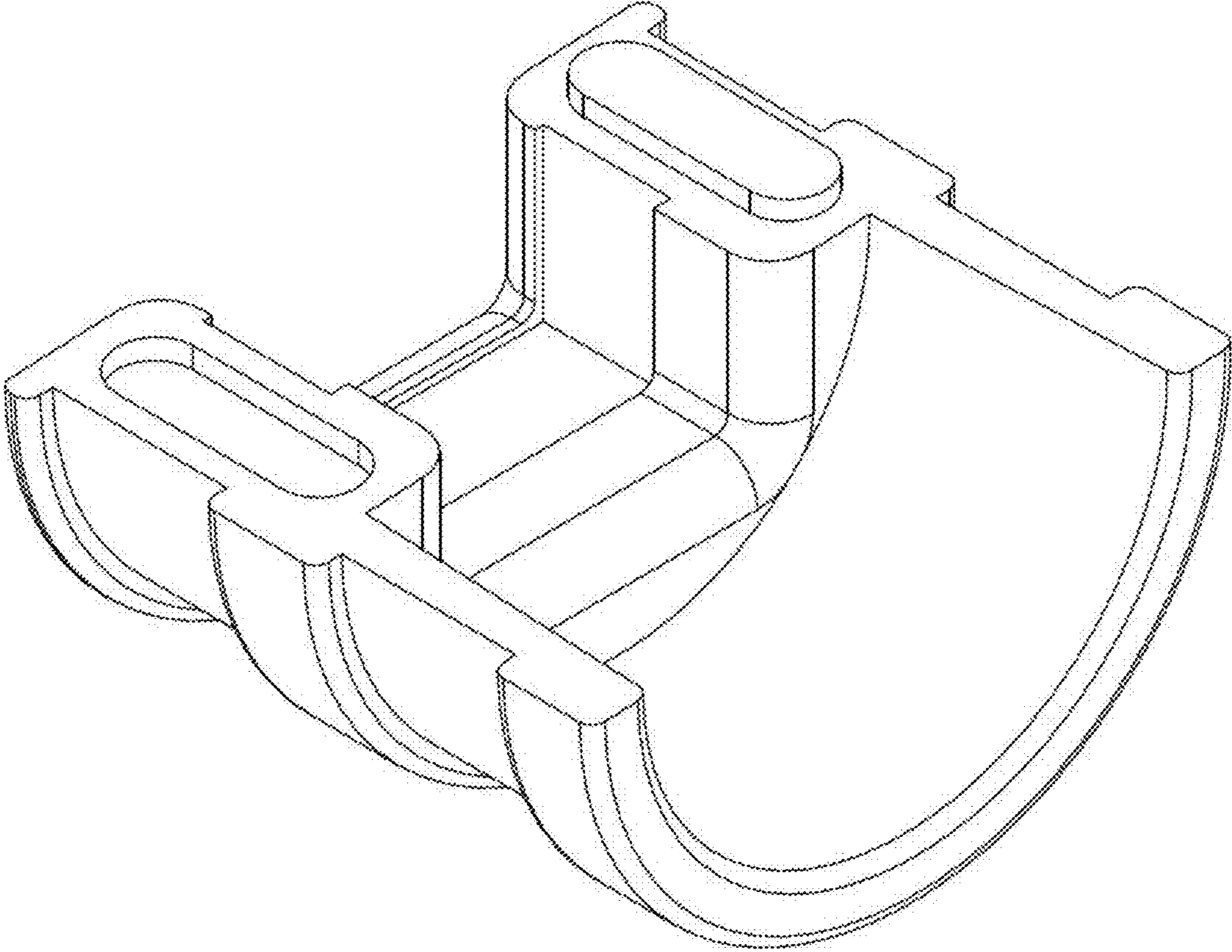


FIGURE 4

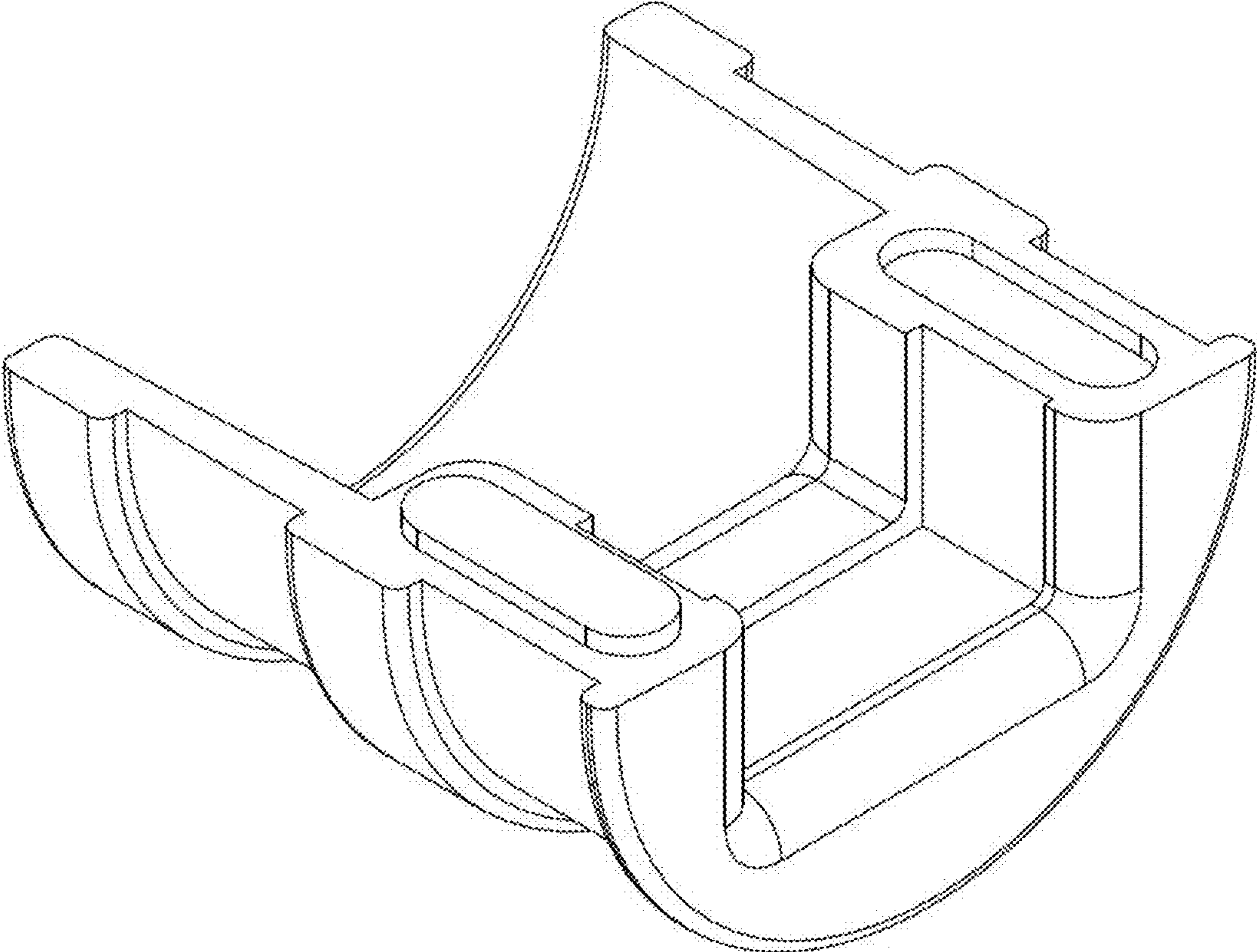


FIGURE 5

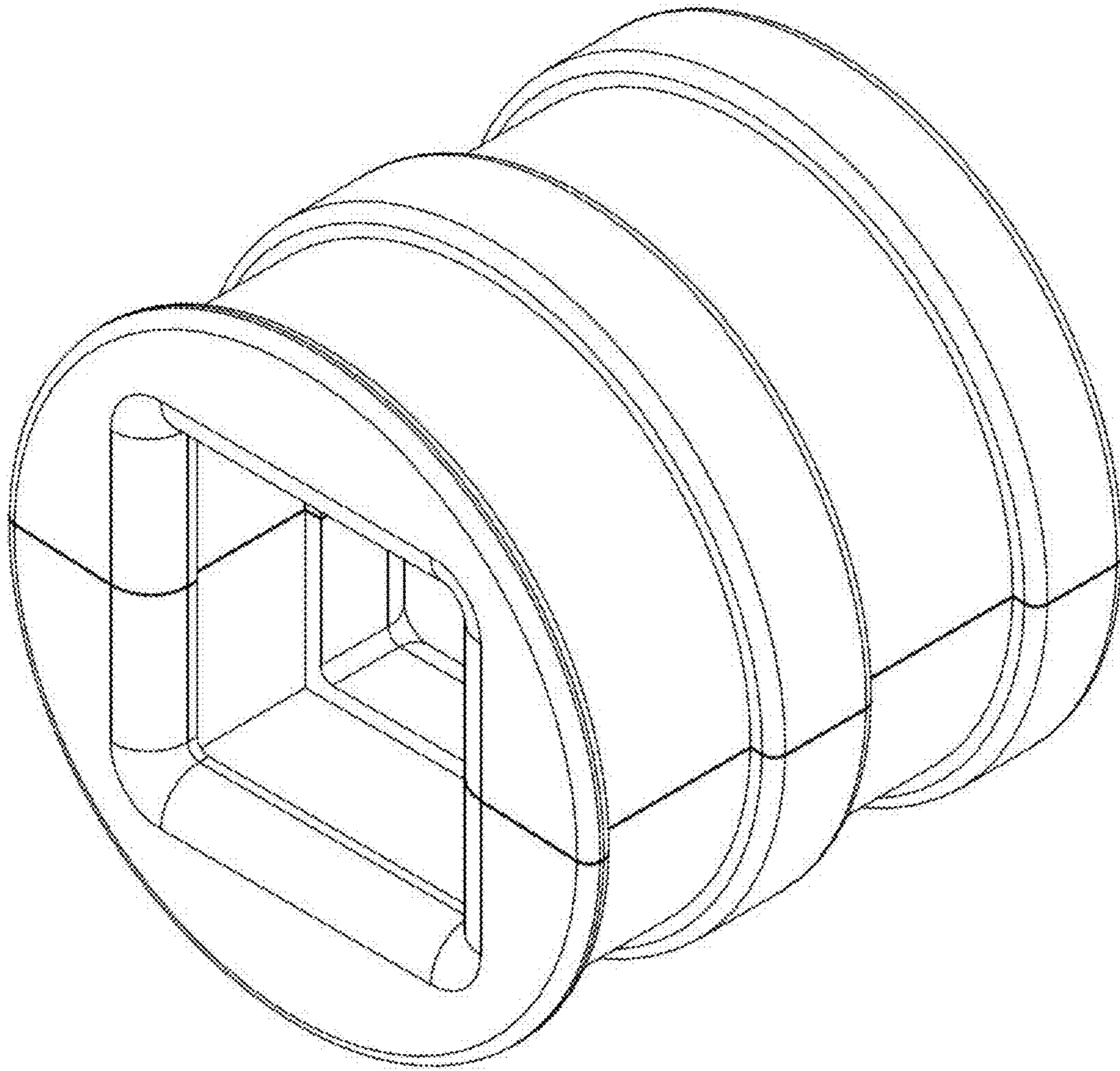


FIGURE 6