



US00D877087S

(12) **United States Design Patent**  
**Payne**

(10) **Patent No.:** **US D877,087 S**

(45) **Date of Patent:** **\*\* \*Mar. 3, 2020**

(54) **CONNECTOR**

(71) Applicant: **HORIZON HOBBY, LLC,**  
Champaign, IL (US)

(72) Inventor: **David Payne,** Monticello, IL (US)

(73) Assignee: **Horizon Hobby, LLC,** Champaign, IL  
(US)

(\*) Notice: This patent is subject to a terminal disclaimer.

(\*\*) Term: **15 Years**

(21) Appl. No.: **29/637,412**

(22) Filed: **Feb. 18, 2018**

(51) **LOC (12) Cl.** ..... **13-03**

(52) **U.S. Cl.**  
USPC ..... **D13/147**

(58) **Field of Classification Search**  
USPC ..... D13/123, 133, 146, 147, 154, 184, 199;  
D14/432, 433, 438, 439  
CPC ..... H01R 13/26; H01R 13/28; H01R 13/502;  
H01R 13/627; H01R 13/631; H01R  
13/64; H01R 13/642; H01R 24/68; H01R  
24/70; H01R 24/78; H01R 25/00  
See application file for complete search history.

(56) **References Cited**

**U.S. PATENT DOCUMENTS**

D415,467 S \* 10/1999 Starkey ..... D13/133  
D550,627 S \* 9/2007 Su ..... D13/147

D572,195 S \* 7/2008 Lin ..... D13/133  
D622,225 S \* 8/2010 McNutt ..... D13/154  
D691,089 S \* 10/2013 Suzuki ..... D13/146  
D777,676 S \* 1/2017 Haley ..... D13/146  
D791,706 S \* 7/2017 Li ..... D13/147  
D805,035 S \* 12/2017 Zhuang ..... D13/146  
D820,264 S \* 6/2018 Lai ..... D14/433  
D826,873 S \* 8/2018 Shim ..... D13/184  
D832,217 S \* 10/2018 Lai ..... D13/146  
2018/0351298 A1 \* 12/2018 Kato ..... H01R 13/518

\* cited by examiner

*Primary Examiner* — Angela J Lee

*Assistant Examiner* — Shawn T Gingrich

(74) *Attorney, Agent, or Firm* — Baker Botts LLP

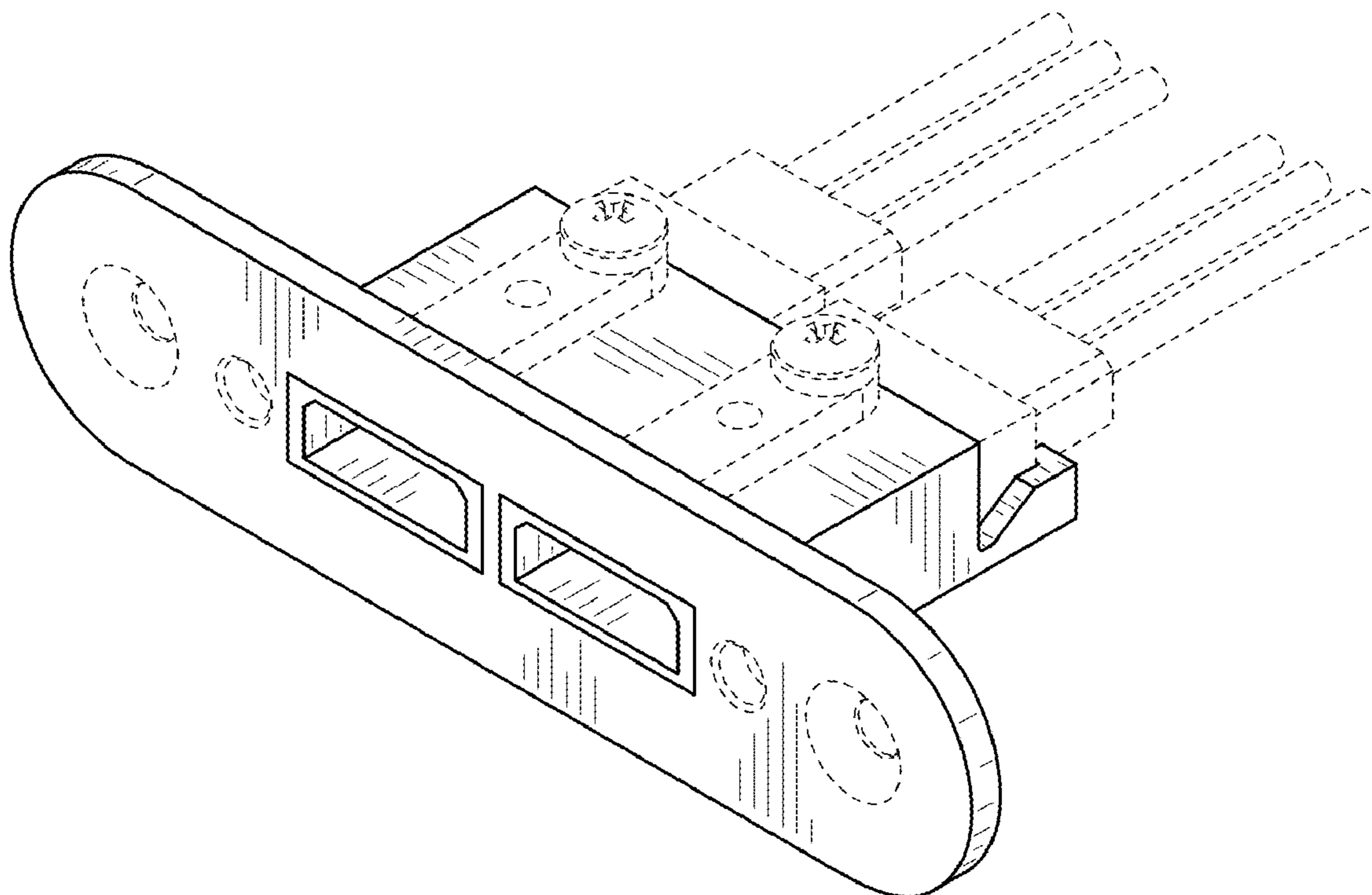
(57) **CLAIM**

The ornamental design for a connector, as shown and described.

**DESCRIPTION**

FIG. 1 is a perspective view of a connector, showing my new design;  
FIG. 2 is a front elevational view thereof;  
FIG. 3 is a rear elevational view thereof;  
FIG. 4 is a left side elevational view thereof;  
FIG. 5 is a right side elevational view thereof;  
FIG. 6 is a top plan view thereof; and,  
FIG. 7 is a bottom plan view thereof.  
The broken lines illustrate portions of the connector that form no part of the claimed design.

**1 Claim, 3 Drawing Sheets**



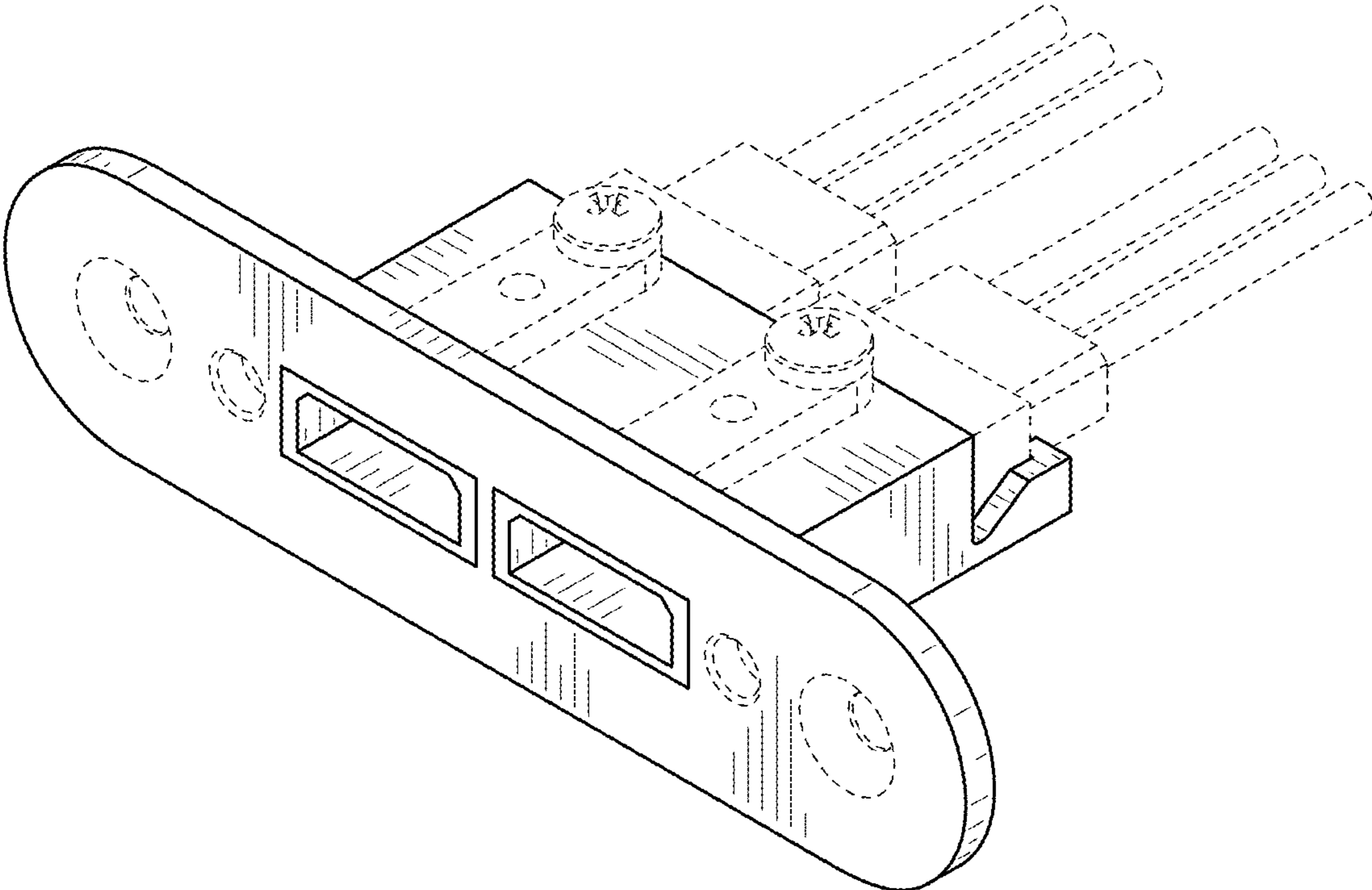


FIG. 1

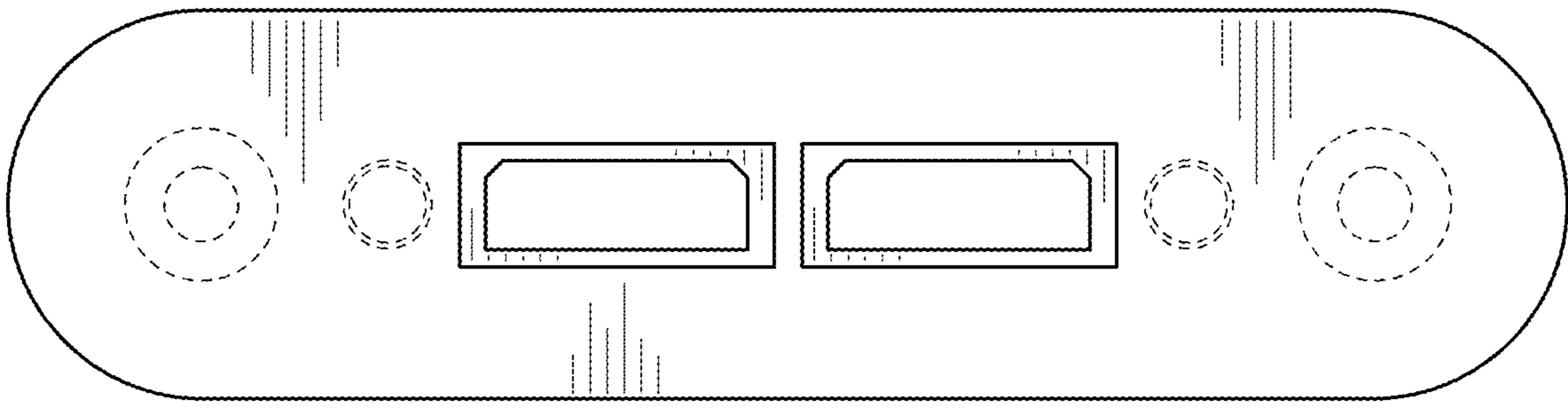


FIG. 2

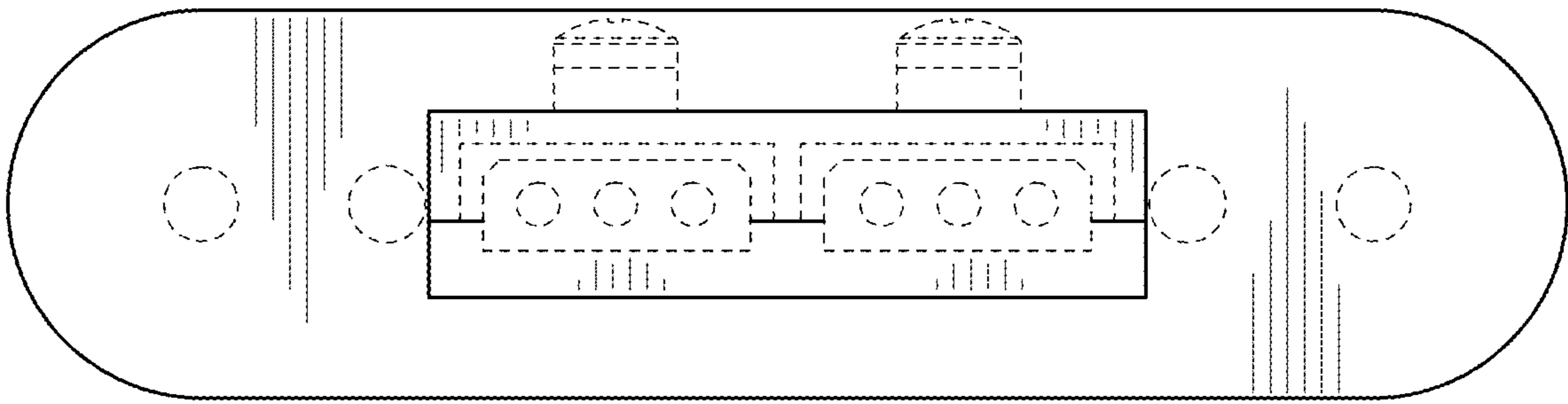


FIG. 3

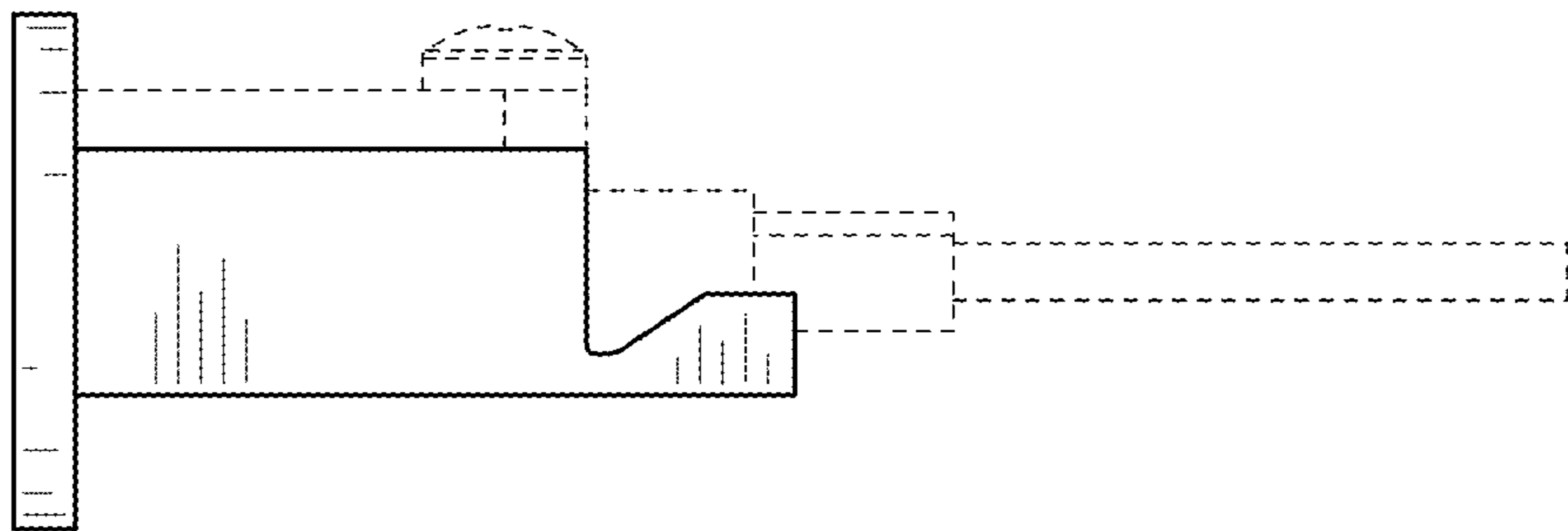


FIG. 4

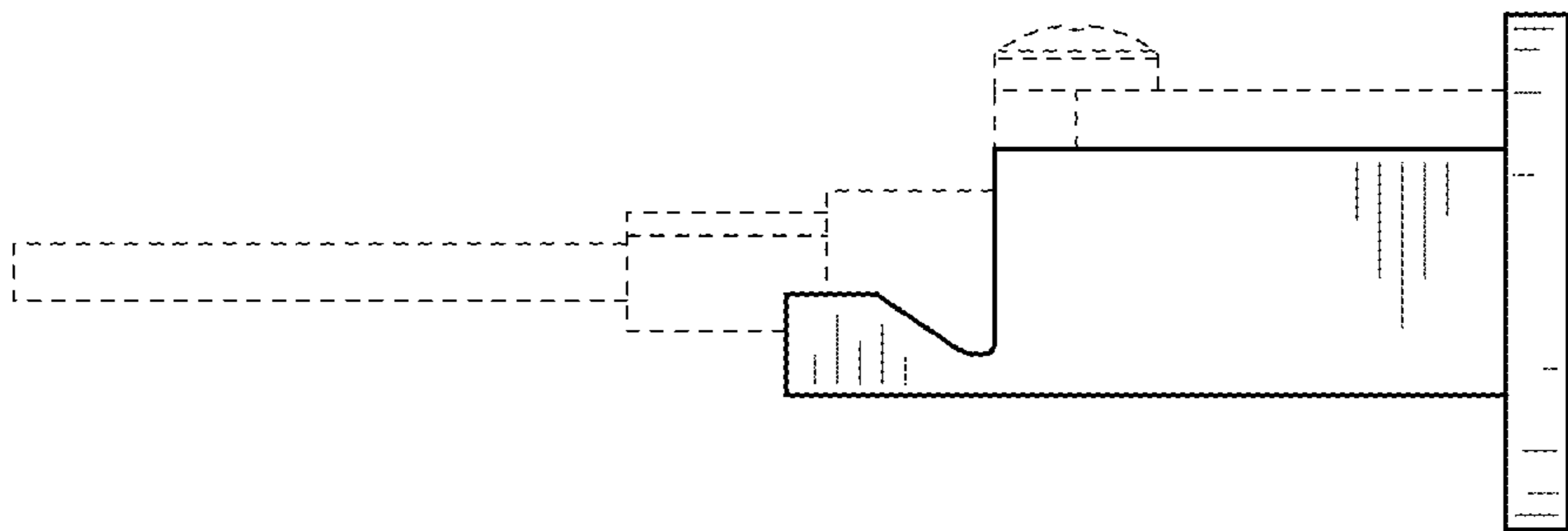


FIG. 5

