



US00D877080S

(12) **United States Design Patent**  
**Tabata**

(10) **Patent No.:** **US D877,080 S**

(45) **Date of Patent:** **\*\* Mar. 3, 2020**

(54) **CONNECTOR**

(71) Applicant: **Japan Aviation Electronics Industry, Limited**, Tokyo (JP)

(72) Inventor: **Yuya Tabata**, Tokyo (JP)

(73) Assignee: **JAPAN AVIATION ELECTRONICS INDUSTRY, LIMITED**, Tokyo (JP)

(\*\*) Term: **15 Years**

(21) Appl. No.: **29/672,984**

(22) Filed: **Dec. 11, 2018**

(30) **Foreign Application Priority Data**

Jun. 21, 2018 (JP) ..... 2018-013659

(51) **LOC (12) Cl.** ..... **13-03**

(52) **U.S. Cl.**  
USPC ..... **D13/133; D13/149**

(58) **Field of Classification Search**  
USPC ..... D13/110, 118, 120, 123, 133, 146, 147,  
D13/149, 151, 154, 173, 184, 199  
CPC ..... H01R 13/434; H01R 13/44; H01R 13/52;  
H01R 13/629; H01R 13/64; H01R  
13/648; H01R 24/86; H01R 43/20; H01R  
43/26

See application file for complete search history.

(56) **References Cited**

**U.S. PATENT DOCUMENTS**

D319,813 S *	9/1991	Kozono	.....	D13/133
D324,028 S *	2/1992	Sueyoshi	.....	D13/133
7,534,138 B1 *	5/2009	Gump	.....	H01R 9/032 439/564
D671,897 S *	12/2012	Kettern	.....	D13/149
D774,461 S *	12/2016	Petricek	.....	D13/147
D814,418 S *	4/2018	Kawakami	.....	D13/133
2006/0172600 A1 *	8/2006	Sakakura	.....	H01R 13/62938 439/607.57

2010/0120284 A1 *	5/2010	Oka	.....	H01R 13/44 439/372
2012/0184122 A1 *	7/2012	Stokowski	.....	H01R 13/42 439/247
2013/0019471 A1 *	1/2013	Omae	.....	H01R 9/0518 29/876
2013/0260586 A1 *	10/2013	Higuchi	.....	H01R 13/5219 439/272
2014/0302712 A1 *	10/2014	Rouchaud	.....	H01R 13/6658 439/607.34
2015/0372420 A1 *	12/2015	Kamei	.....	H01R 13/633 439/159

(Continued)

*Primary Examiner* — Angela J Lee

*Assistant Examiner* — Shawn T Gingrich

(74) *Attorney, Agent, or Firm* — Manabu Kanesaka

(57) **CLAIM**

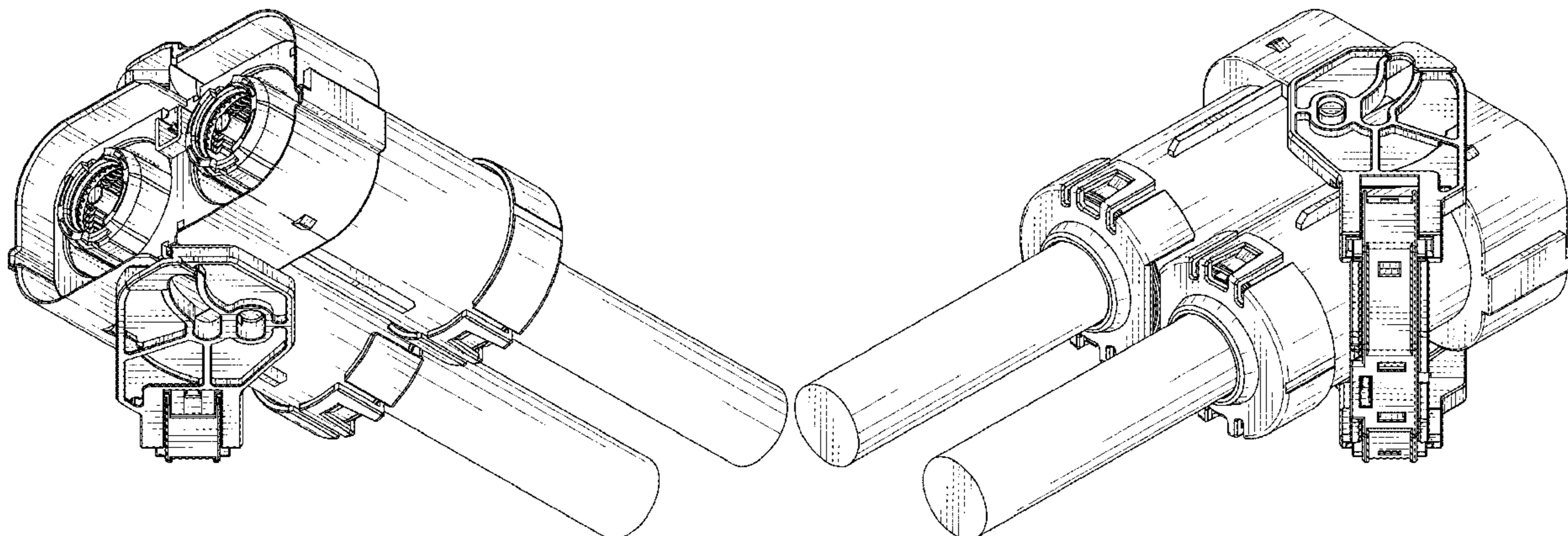
The ornamental design for a connector, as shown and described.

**DESCRIPTION**

FIG. 1 is a front elevational view of a connector showing my new design;  
 FIG. 2 is a rear elevational view thereof;  
 FIG. 3 is a right side elevational view thereof;  
 FIG. 4 is a left side elevational view thereof;  
 FIG. 5 is a top plan view thereof;  
 FIG. 6 is a bottom plan view thereof;  
 FIG. 7 is a perspective view showing a front, top and right side thereof;  
 FIG. 8 is a perspective view showing a rear, bottom and left side thereof;  
 FIG. 9 is a perspective view showing a front, right and bottom side thereof; and,  
 FIG. 10 is a perspective view showing a rear, left and top side thereof.

The broken line showing of the connector is for the purpose of illustrating portions of the article and forms no part of the claimed design.

**1 Claim, 5 Drawing Sheets**



(56)

**References Cited**

U.S. PATENT DOCUMENTS

2018/0034178 A1\* 2/2018 Tyler ..... H01R 13/04  
2018/0054025 A1\* 2/2018 Tabata ..... H01R 13/62933  
2019/0237895 A1\* 8/2019 Ueberschlag ..... H01R 13/44

\* cited by examiner

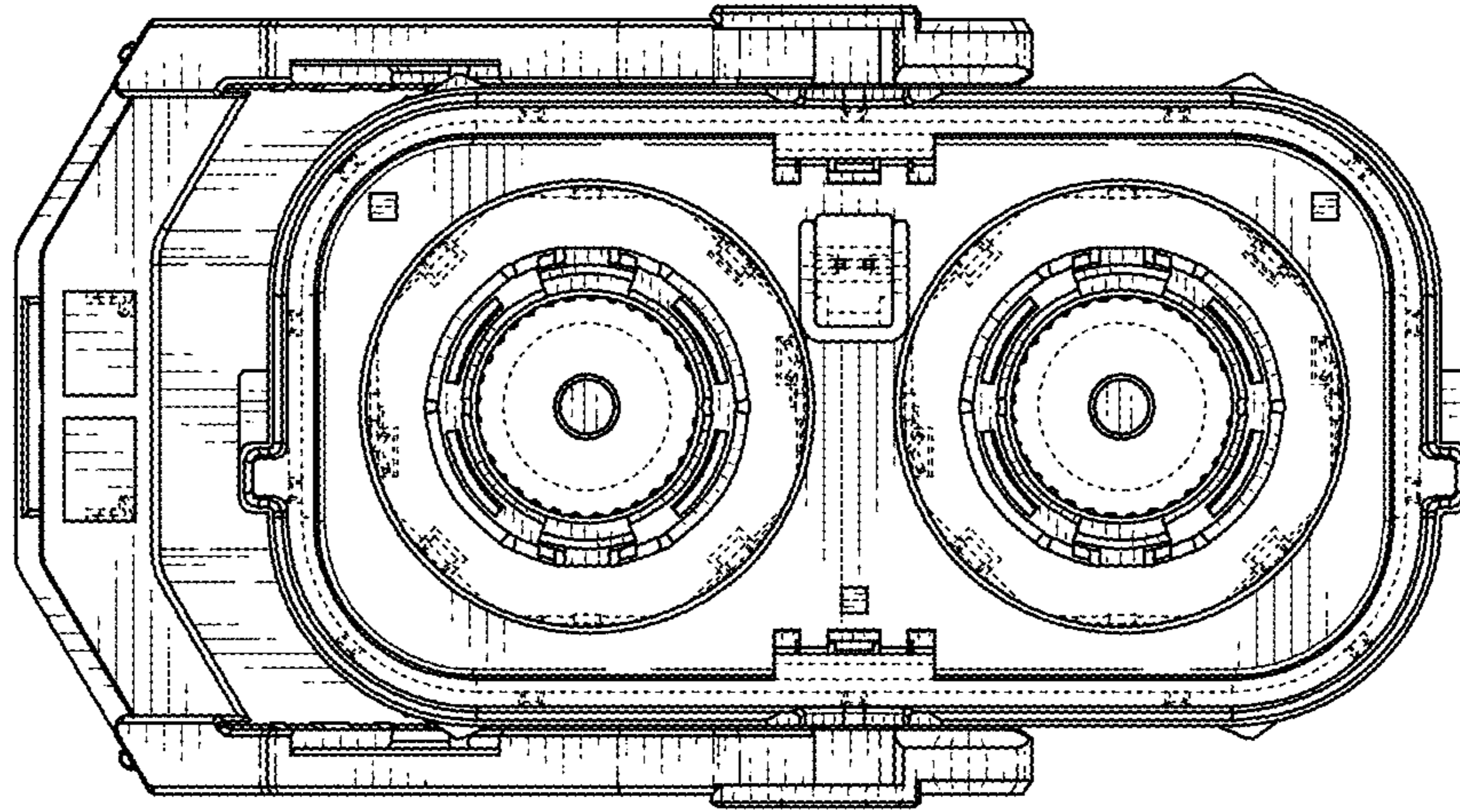


FIG. 1

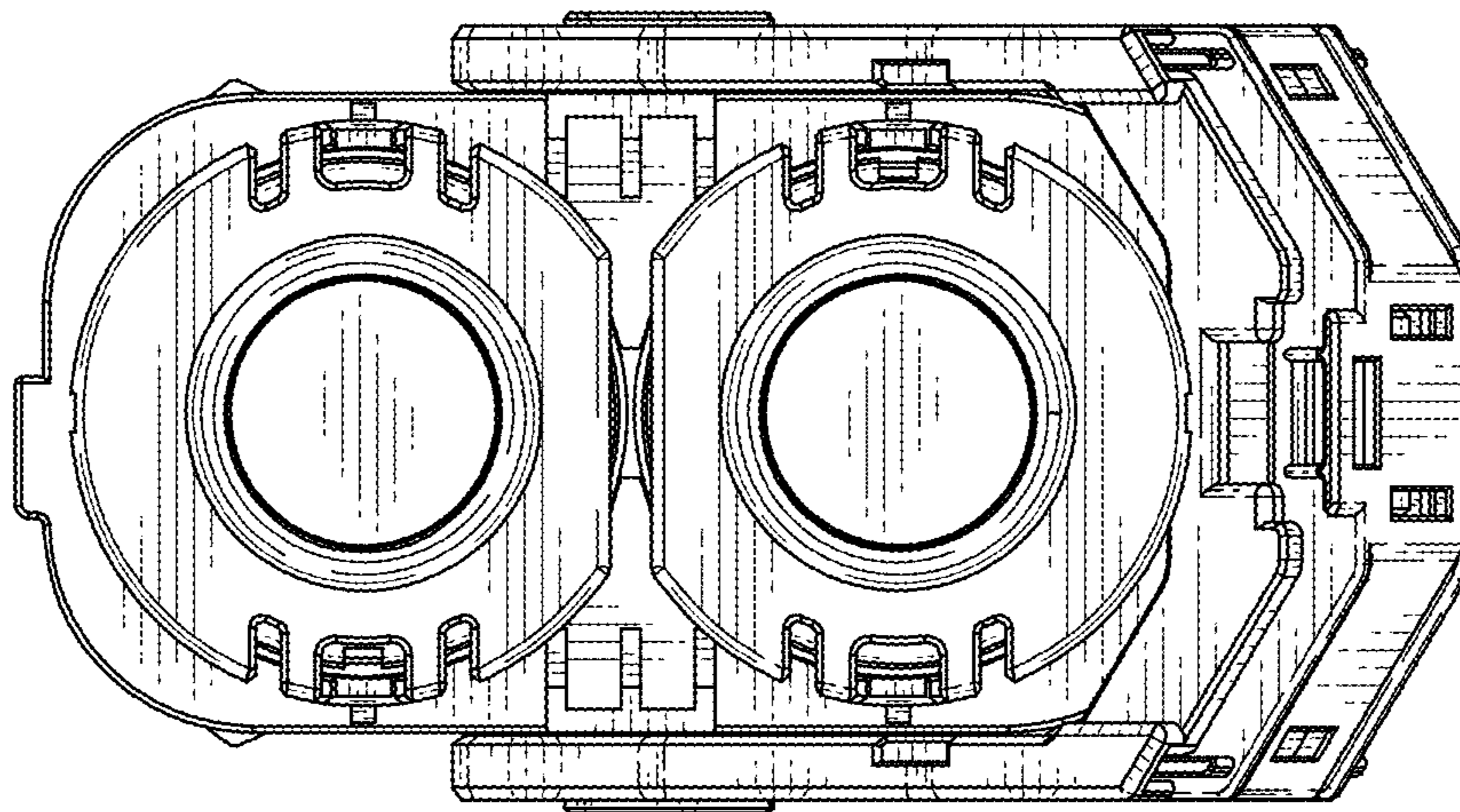


FIG. 2

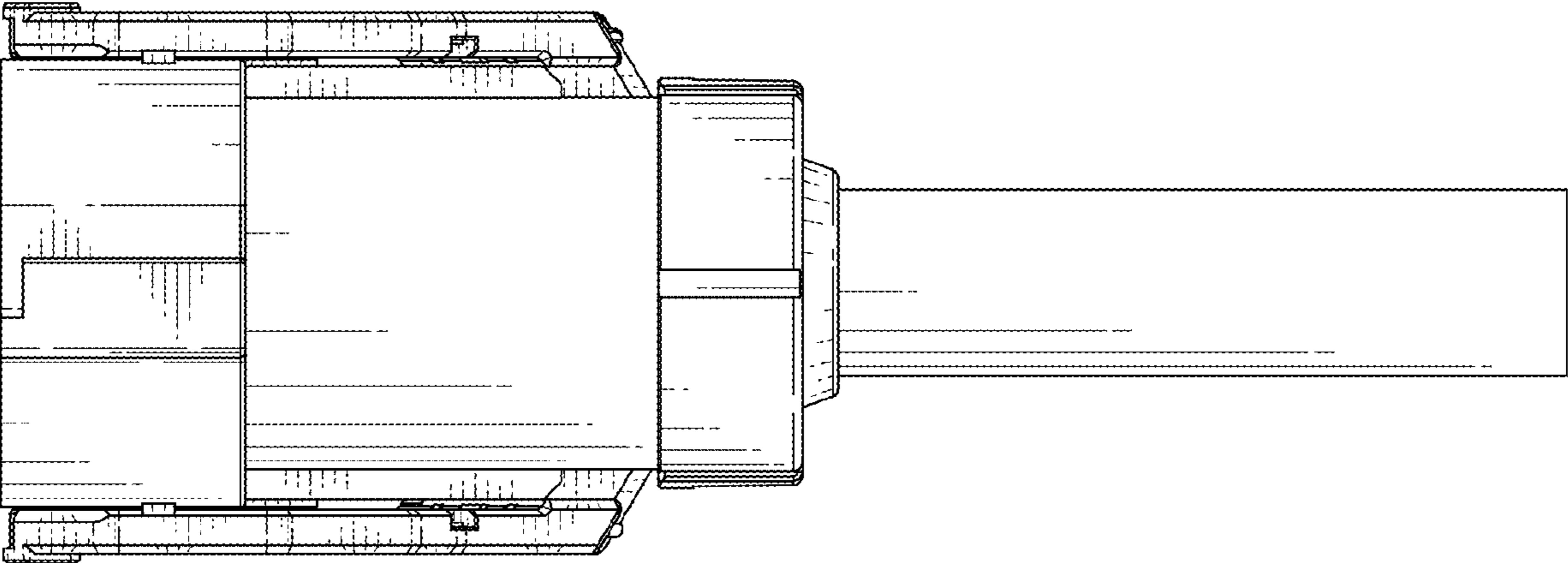


FIG. 3

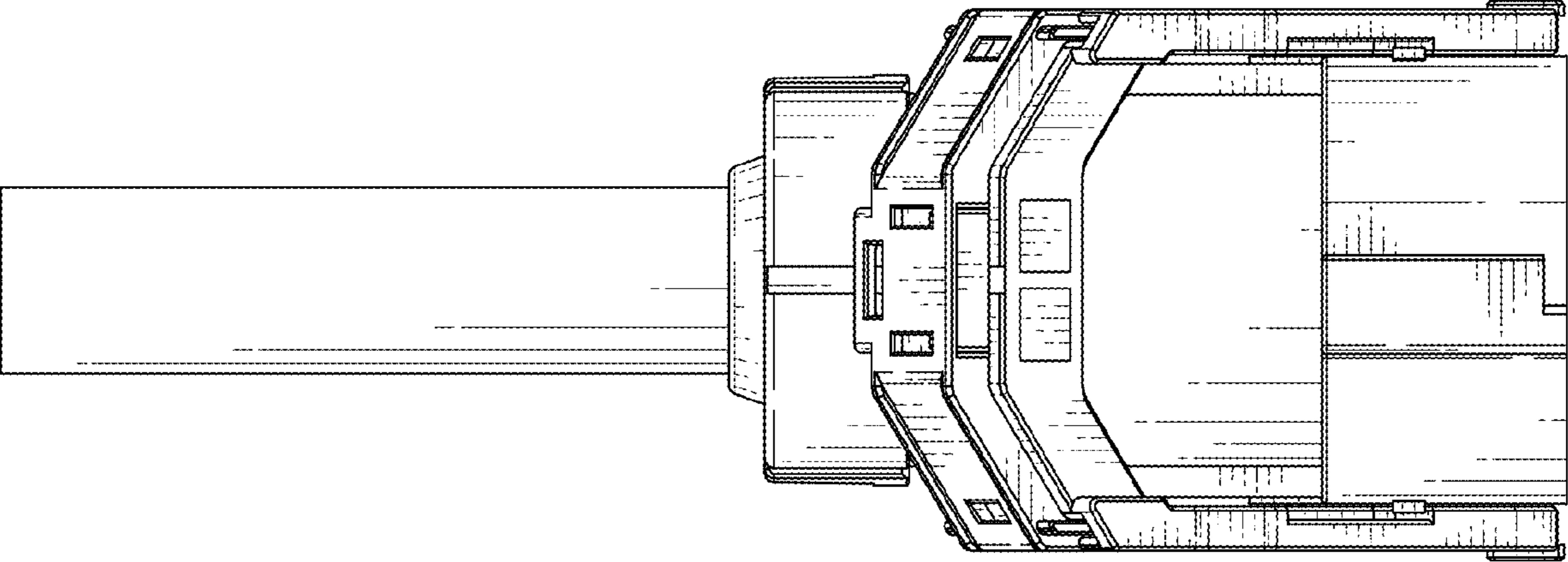


FIG. 4

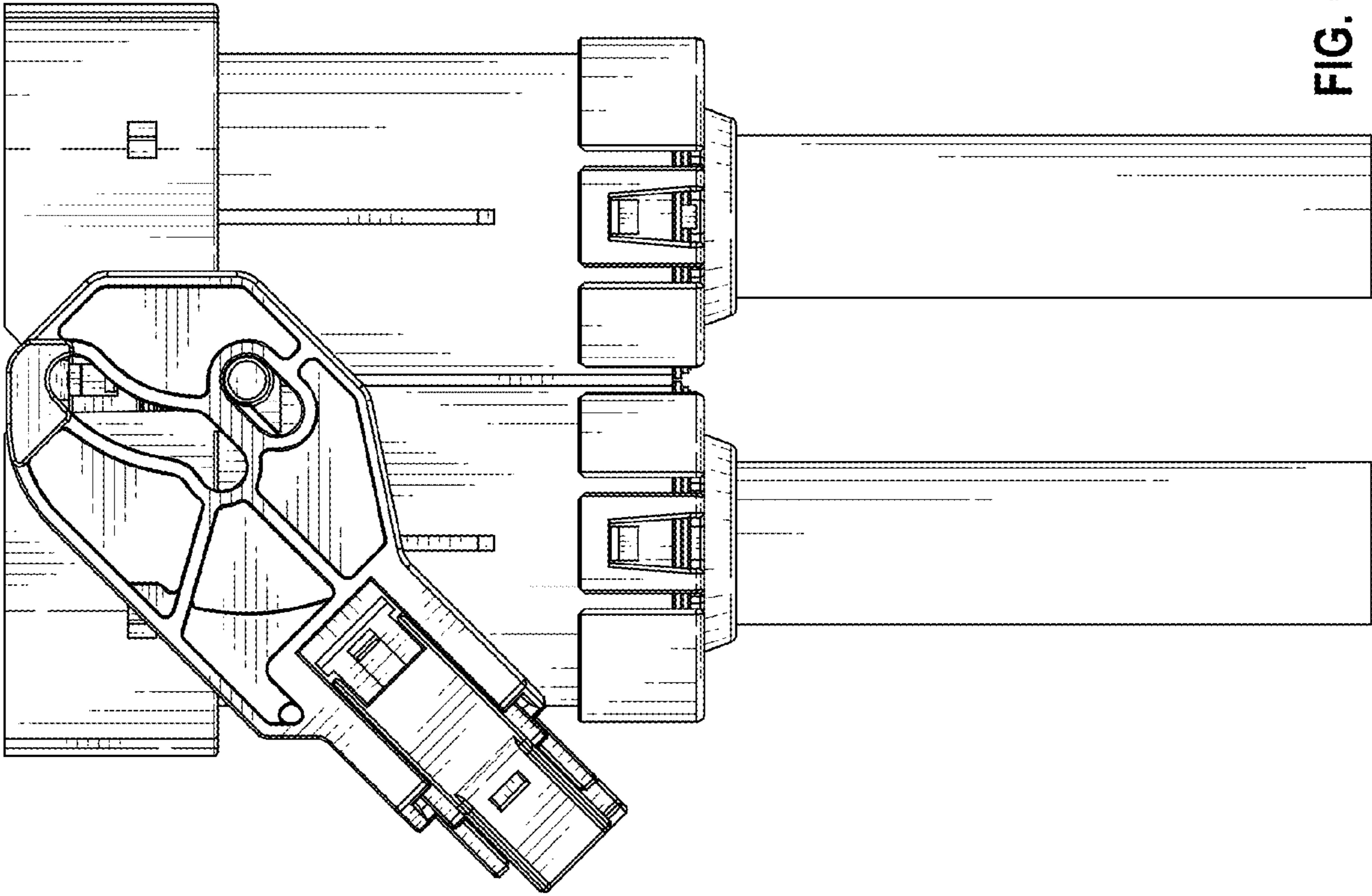


FIG. 6

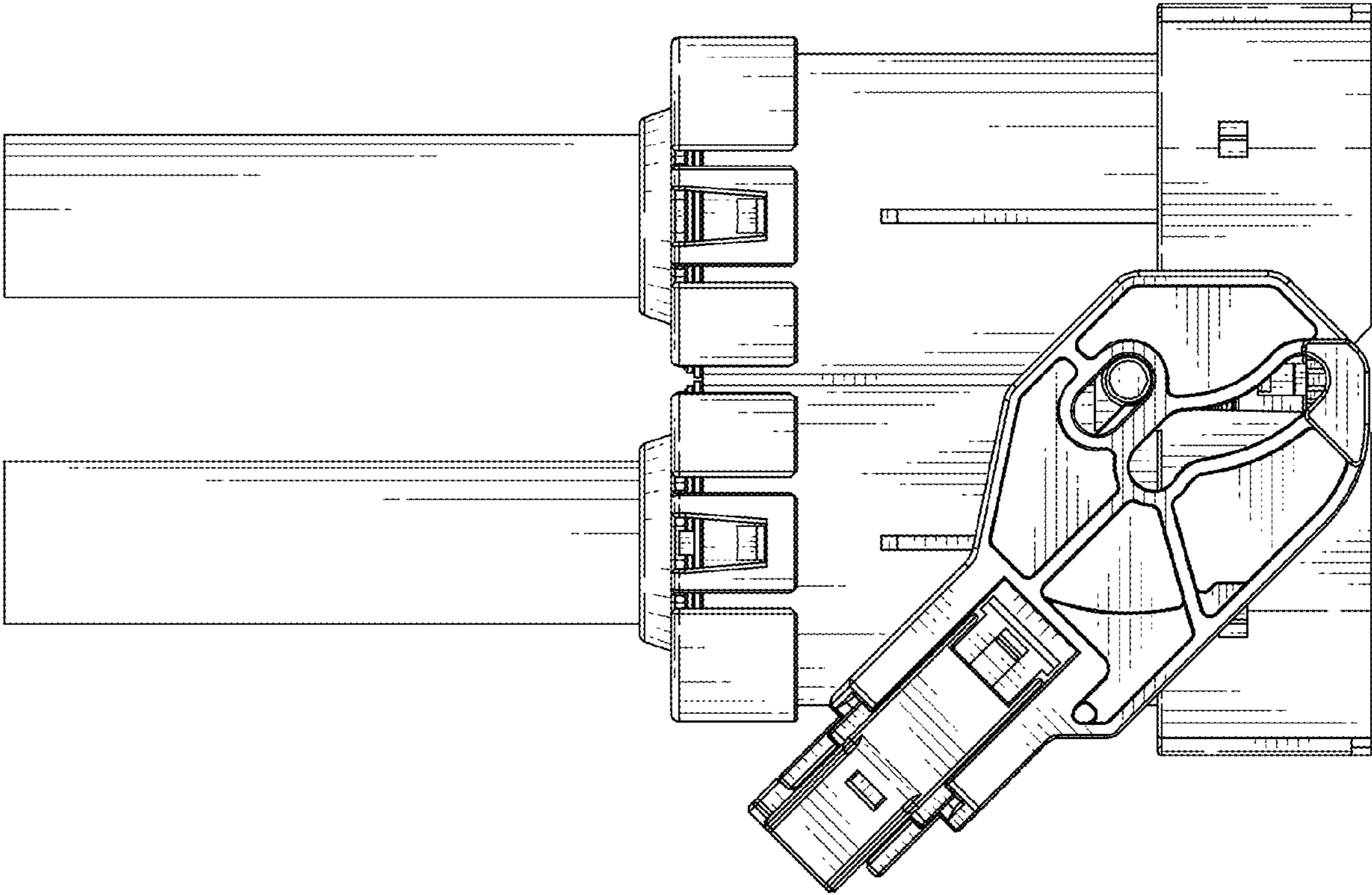


FIG. 5

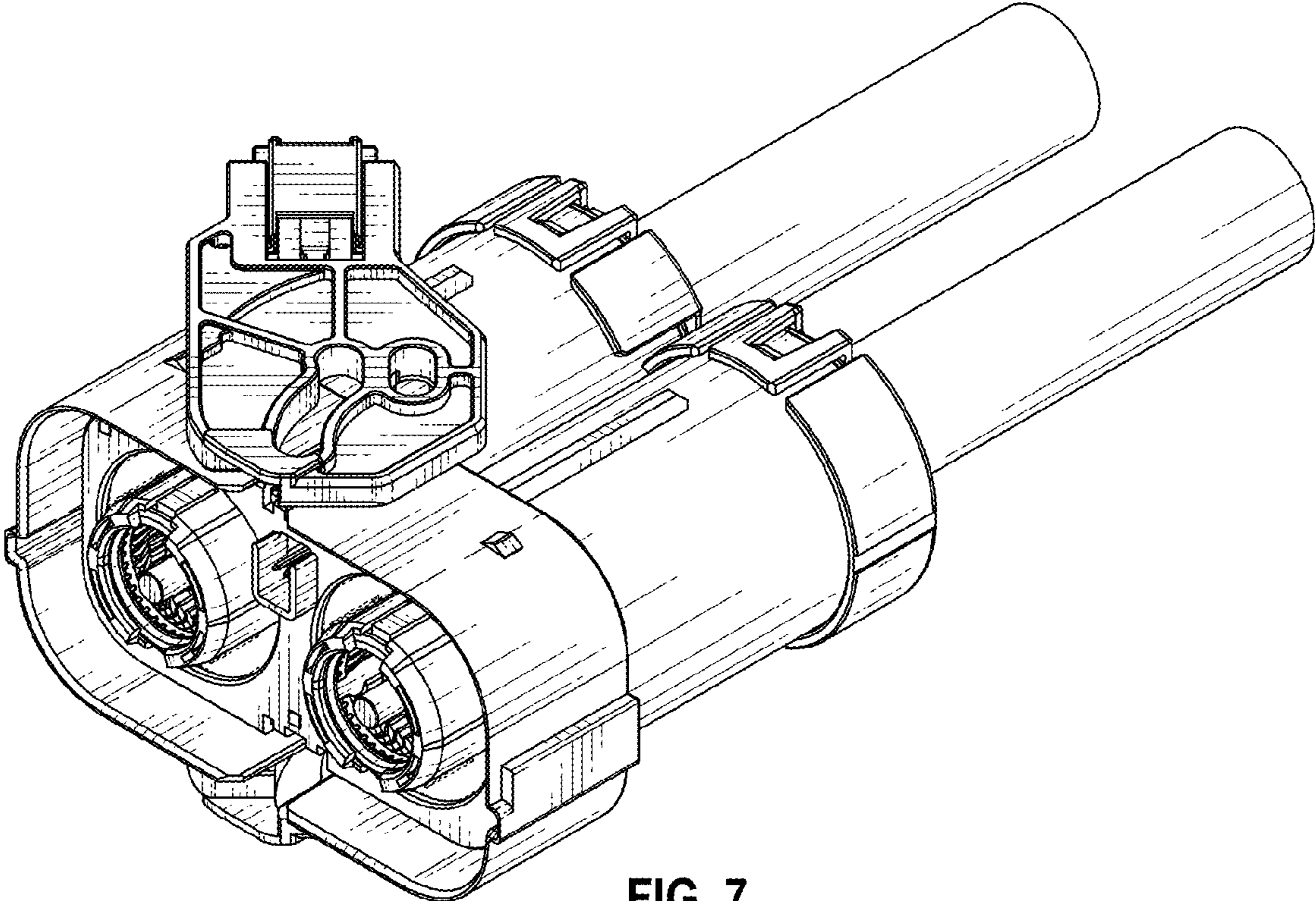


FIG. 7

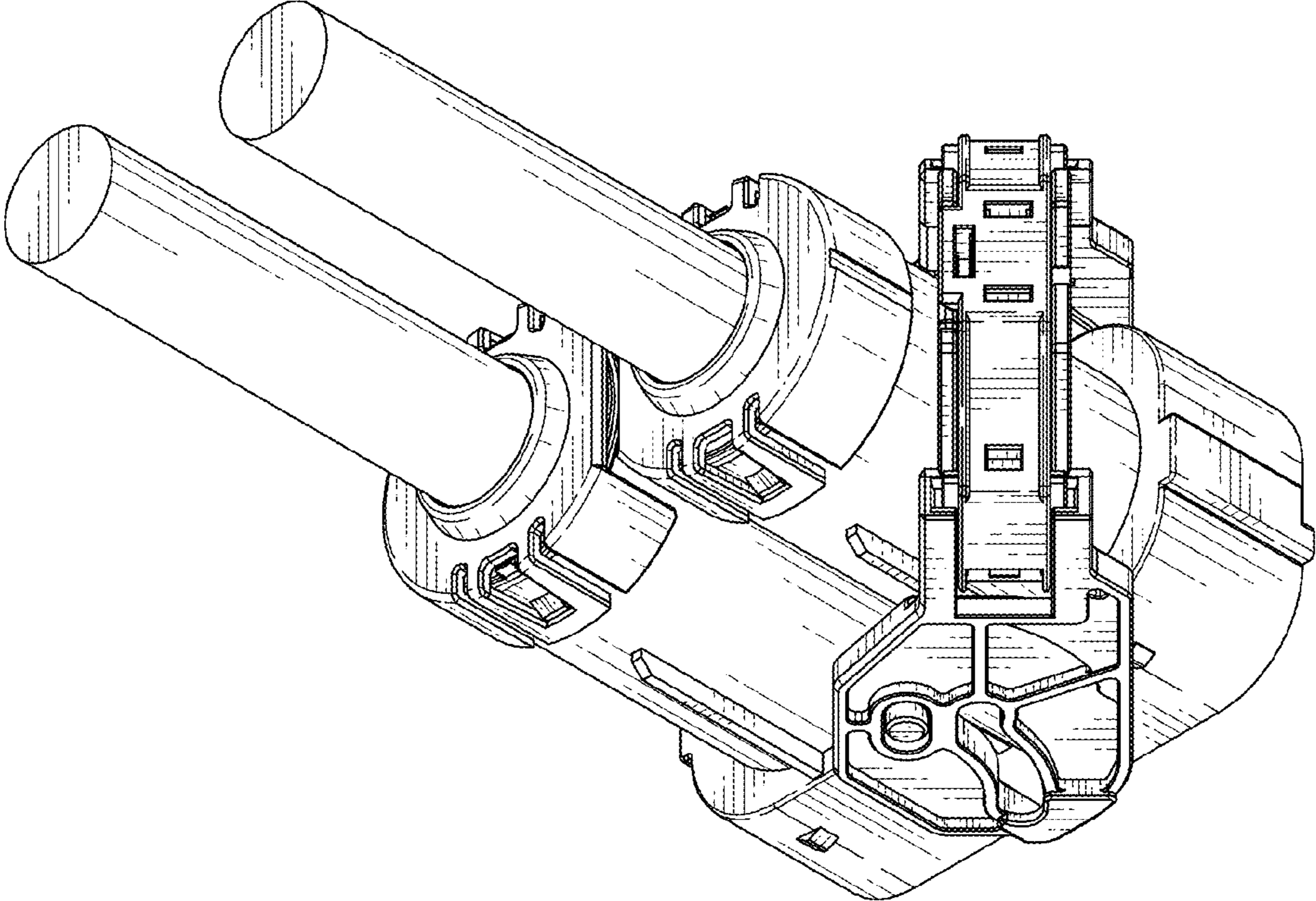


FIG. 8

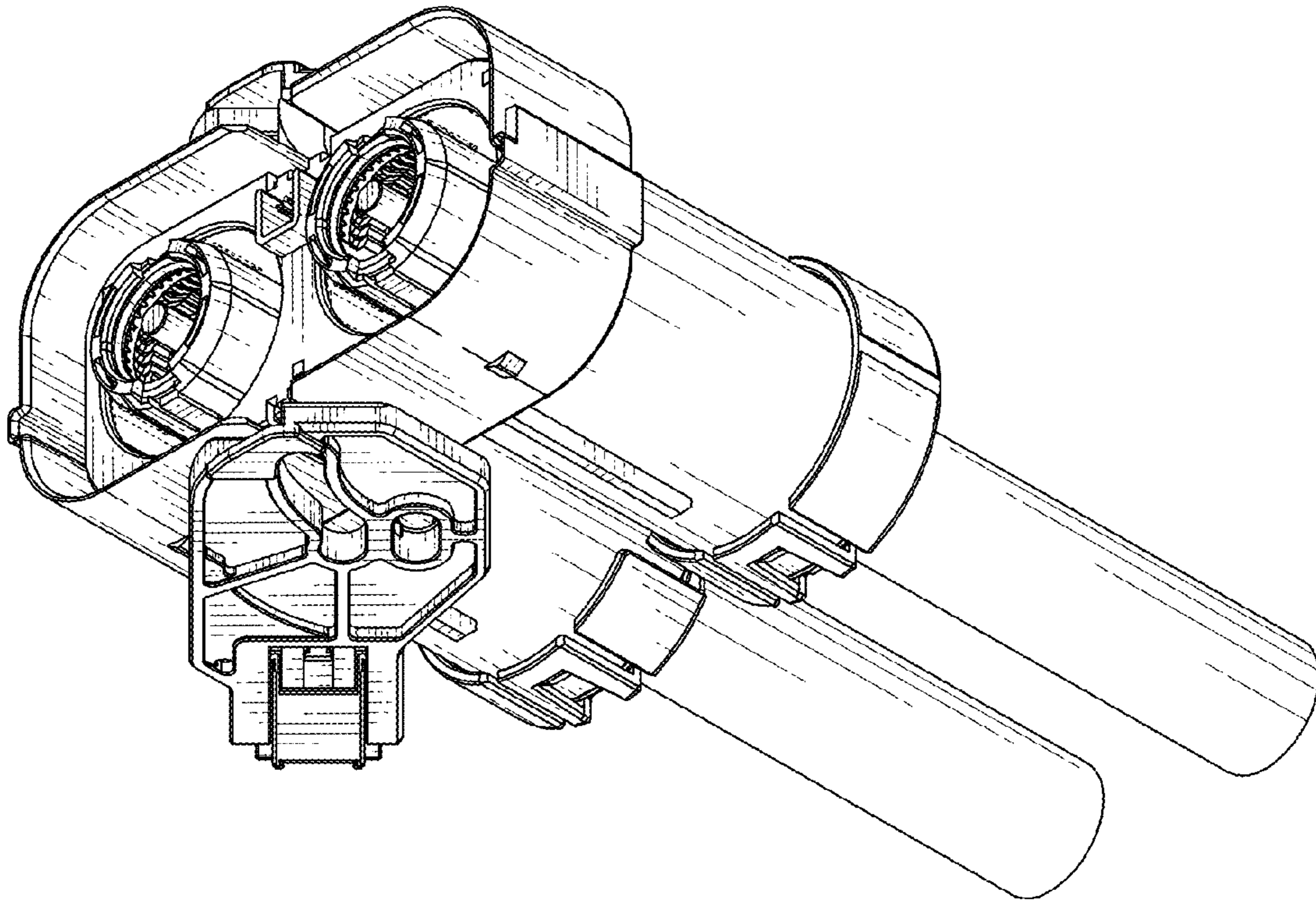


FIG. 9

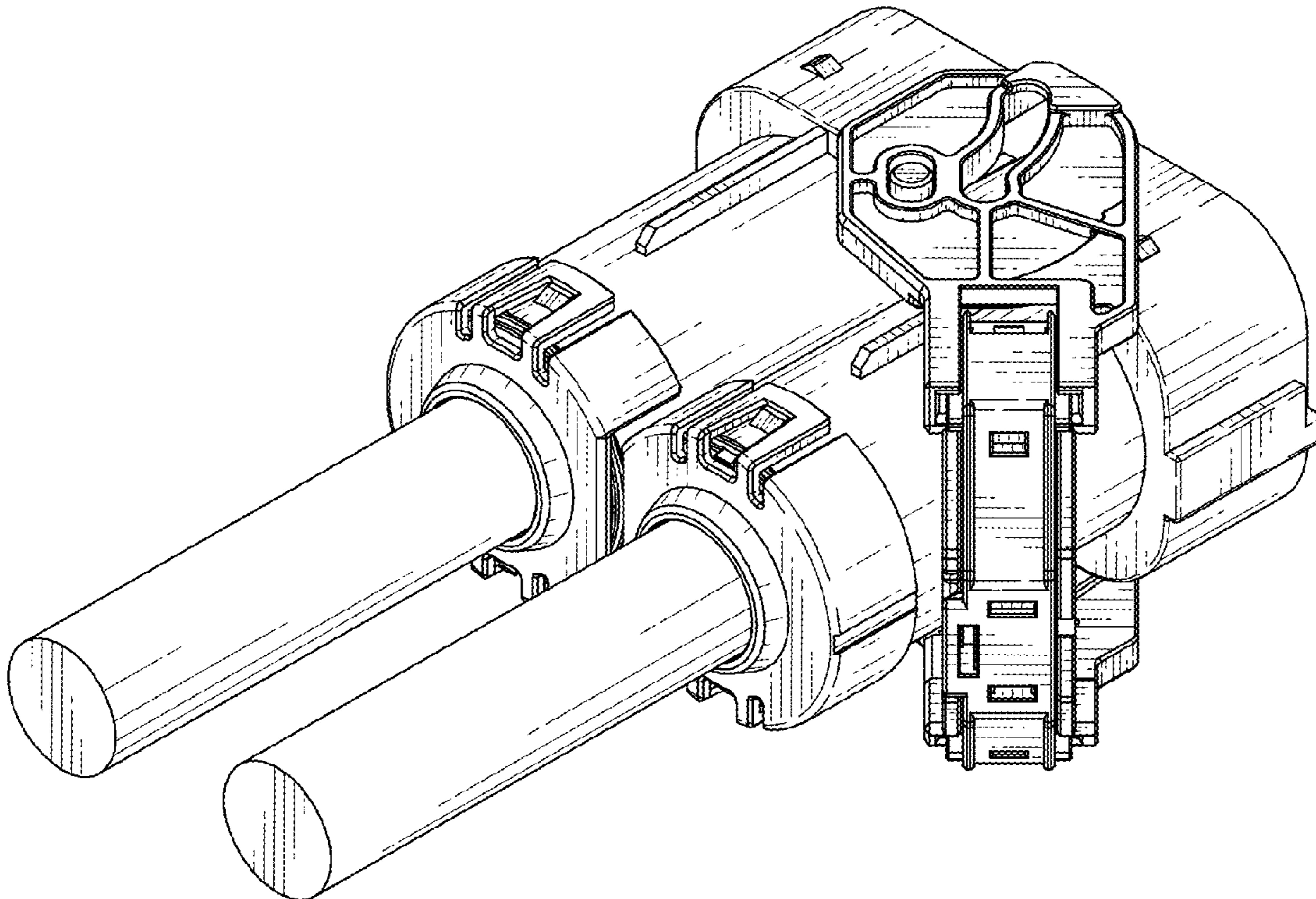


FIG. 10