



US00D877079S

(12) **United States Design Patent** (10) **Patent No.:** **US D877,079 S**
Kozuka et al. (45) **Date of Patent:** **** Mar. 3, 2020**

(54) **ELECTRODE PLATE FOR PLASMA PROCESSING APPARATUS**

(71) Applicant: **TOKYO ELECTRON LIMITED**,
Minato-ku, Tokyo (JP)

(72) Inventors: **Shinichi Kozuka**, Miyagi (JP);
Ryosuke Niitsuma, Miyagi (JP);
Manabu Ishikawa, Miyagi (JP)

(73) Assignee: **TOKYO ELECTRON LIMITED**,
Minato-Ku, Tokyo (JP)

(**) Term: **15 Years**

(21) Appl. No.: **29/554,794**

(22) Filed: **Feb. 16, 2016**

(30) **Foreign Application Priority Data**

Aug. 26, 2015 (JP) 2015-018692

(51) **LOC (12) Cl.** **13-03**

(52) **U.S. Cl.**
USPC **D13/121**

(58) **Field of Classification Search**
USPC D13/101, 110, 121, 182, 199; 118/500,
118/728, 729; 156/345.51, 345.52,
156/345.53
CPC H01L 21/68707; H01L 21/68721; H01L
21/68728; H01L 21/68735; H01L
21/68785; H01L 21/67144; H01L
21/67309; C23C 16/45565; C23C
16/4557

See application file for complete search history.

(56) **References Cited**

U.S. PATENT DOCUMENTS

D411,516 S * 6/1999 Imafuku D13/182
D460,350 S * 7/2002 Davis D9/499
6,537,419 B1 * 3/2003 Kinnard C23C 16/45565
118/723 E

(Continued)

Primary Examiner — Derrick E Holland
Assistant Examiner — Jennifer O King
(74) *Attorney, Agent, or Firm* — Leydig Voit & Mayer,
Ltd.

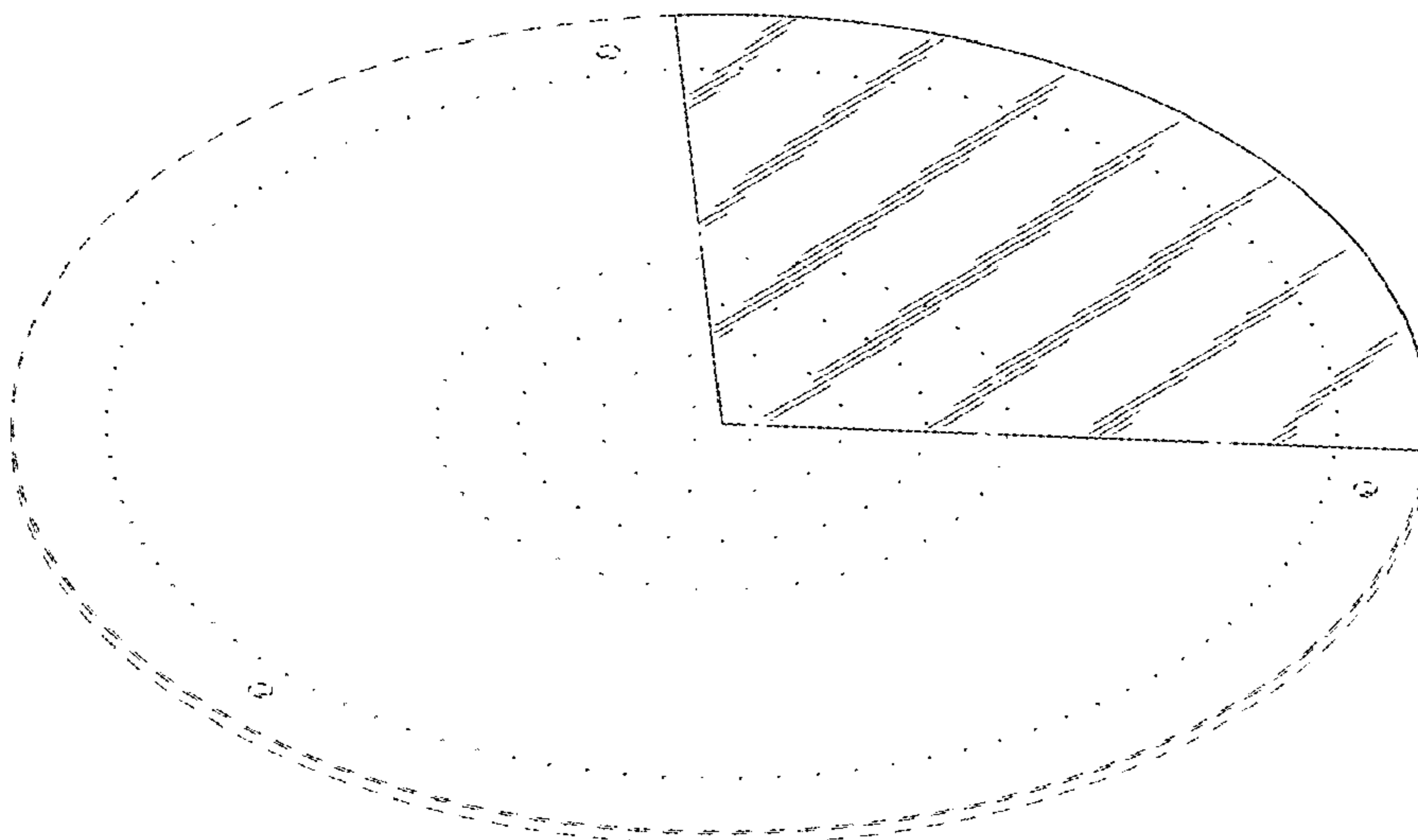
(57) **CLAIM**

The ornamental design for an electrode plate for plasma processing apparatus, as shown and described.

DESCRIPTION

FIG. 1 is a front view of an electrode plate for plasma processing apparatus of the present invention.
FIG. 2 is a rear view thereof.
FIG. 3 is a top plan view thereof.
FIG. 4 is a bottom view thereof.
FIG. 5 is a right side view thereof.
FIG. 6 is a left side view thereof.
FIG. 7 is a perspective view thereof.
FIG. 8 is an enlarged partial view thereof, taken at the area identified as FIG. 8 on FIG. 1.
FIG. 9 is an enlarged partial view thereof, taken at the area identified as FIG. 9 on FIG. 1.
FIG. 10 is an enlarged partial view thereof, taken at the area identified as FIG. 9 on FIG. 2;
FIG. 11 is an enlarged partial view thereof, taken at the area identified as FIG. 9 on FIG. 2;
FIG. 12 is a sectional view thereof, taken along line 12-12 of FIG. 2; and,
FIG. 13 is an enlarged partial sectional view thereof, taken at the area identified as FIG. 13 on FIG. 12.
The broken lines shown represent portions of the electrode plate for plasma processing apparatus that form no part of the claimed design. Where the dot-dash broken lines abut the shaded surface it is understood that those broken lines represent an unclaimed boundary between claimed and unclaimed surfaces. None of the broken lines form any part of the claimed design.

1 Claim, 13 Drawing Sheets



(56)

References Cited

U.S. PATENT DOCUMENTS

6,793,733 B2 * 9/2004 Janakiraman C23C 16/455
118/715
6,872,258 B2 * 3/2005 Park C23C 16/45565
118/715
D570,310 S * 6/2008 Sasaki D13/182
D609,652 S * 2/2010 Nagasaka D13/182
8,221,582 B2 * 7/2012 Patrick C23C 16/4557
156/345.34
8,702,866 B2 * 4/2014 Augustino C23C 16/45565
118/715
9,484,190 B2 * 11/2016 Glukhoy H01J 37/3244
D787,458 S * 5/2017 Kim D13/182
D789,888 S * 6/2017 Jang D13/121
D790,041 S * 6/2017 Jang D23/259
D793,572 S * 8/2017 Kozuka D24/224

* cited by examiner

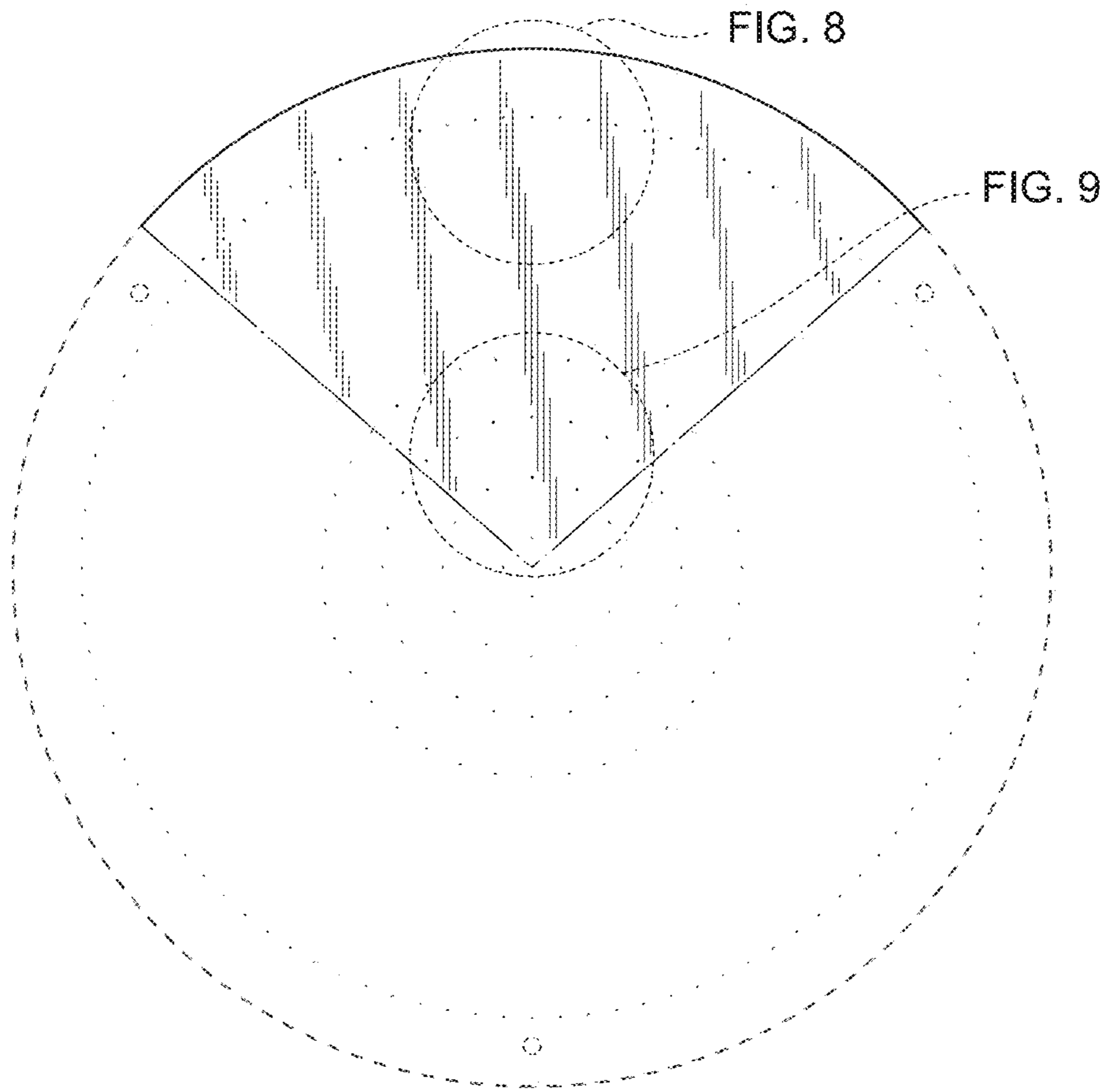


FIG. 1

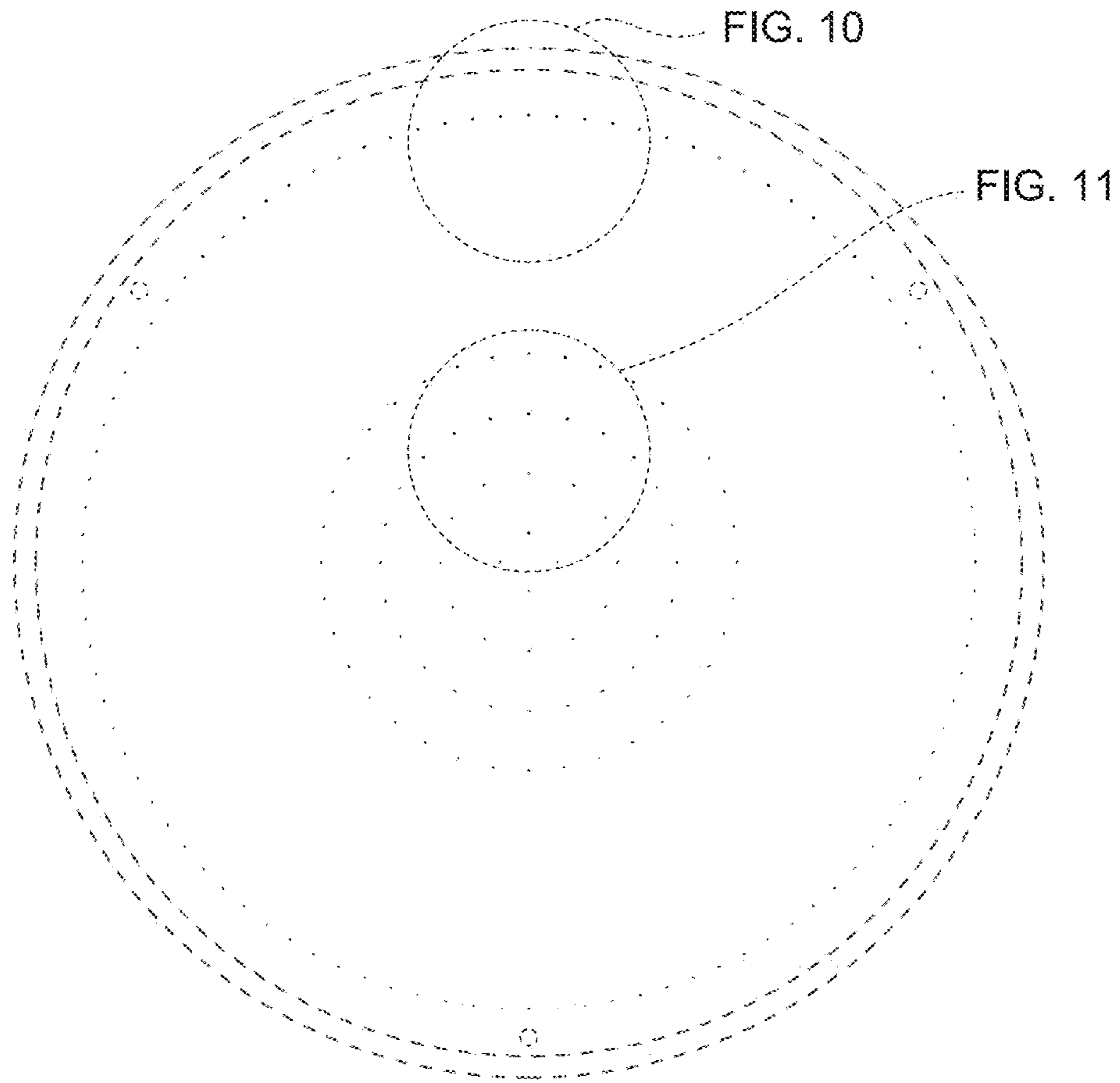


FIG. 2

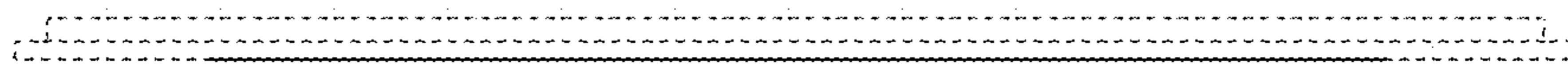
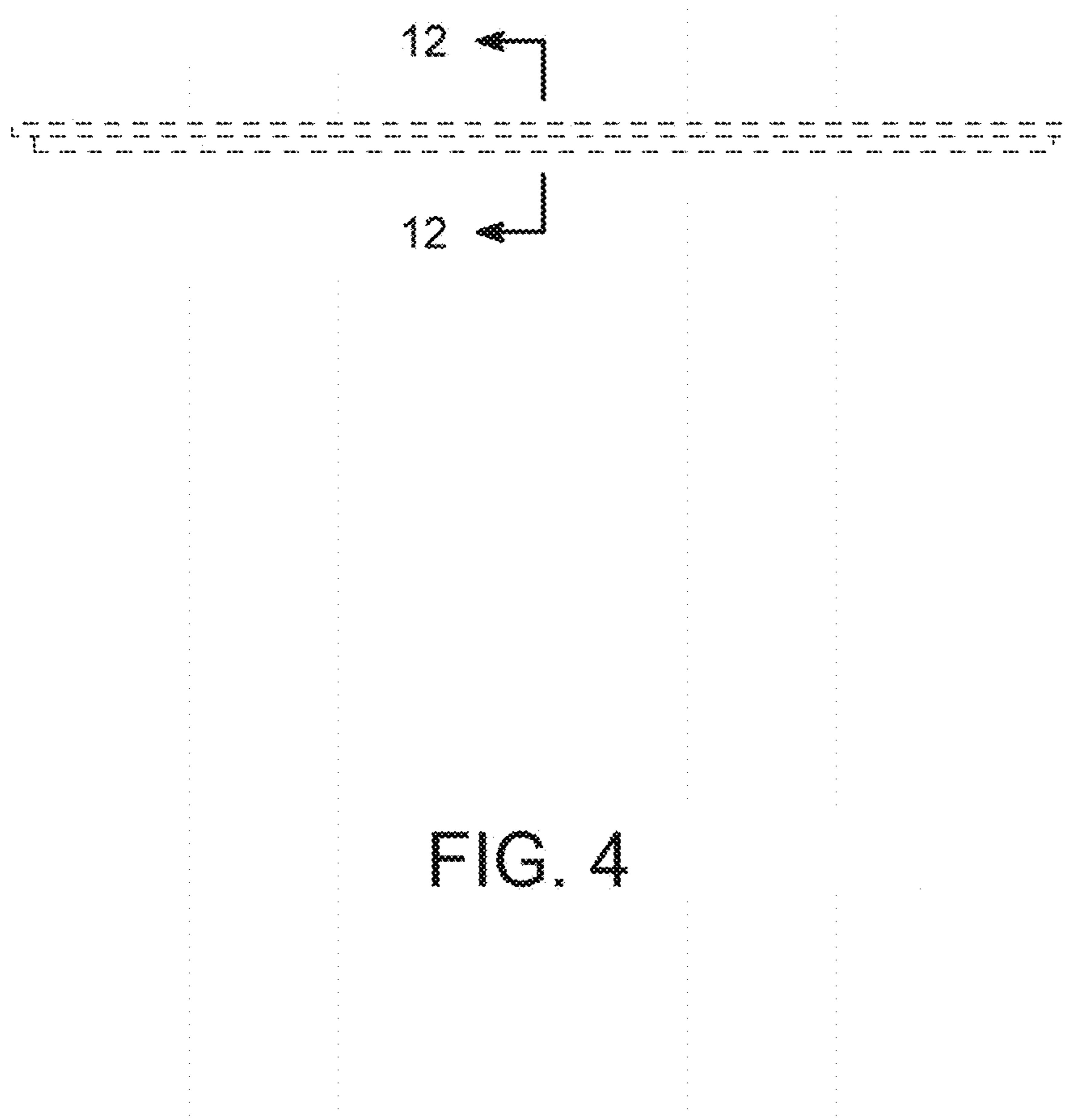


FIG. 3



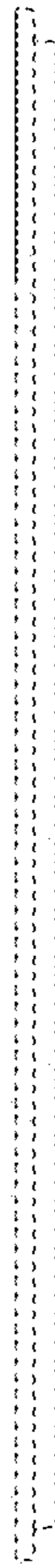


FIG. 5

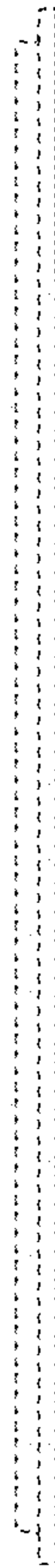


FIG. 6

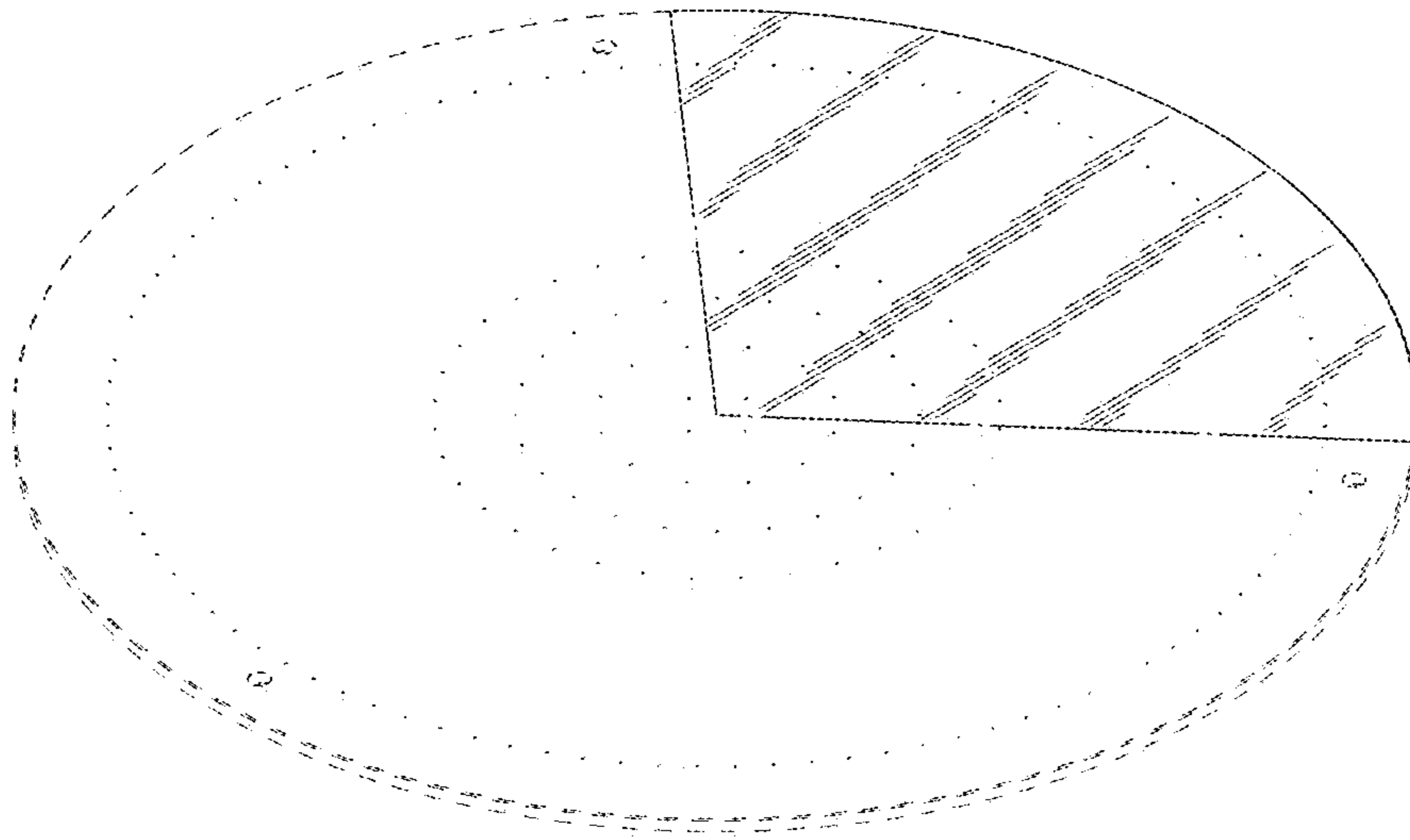


FIG. 7

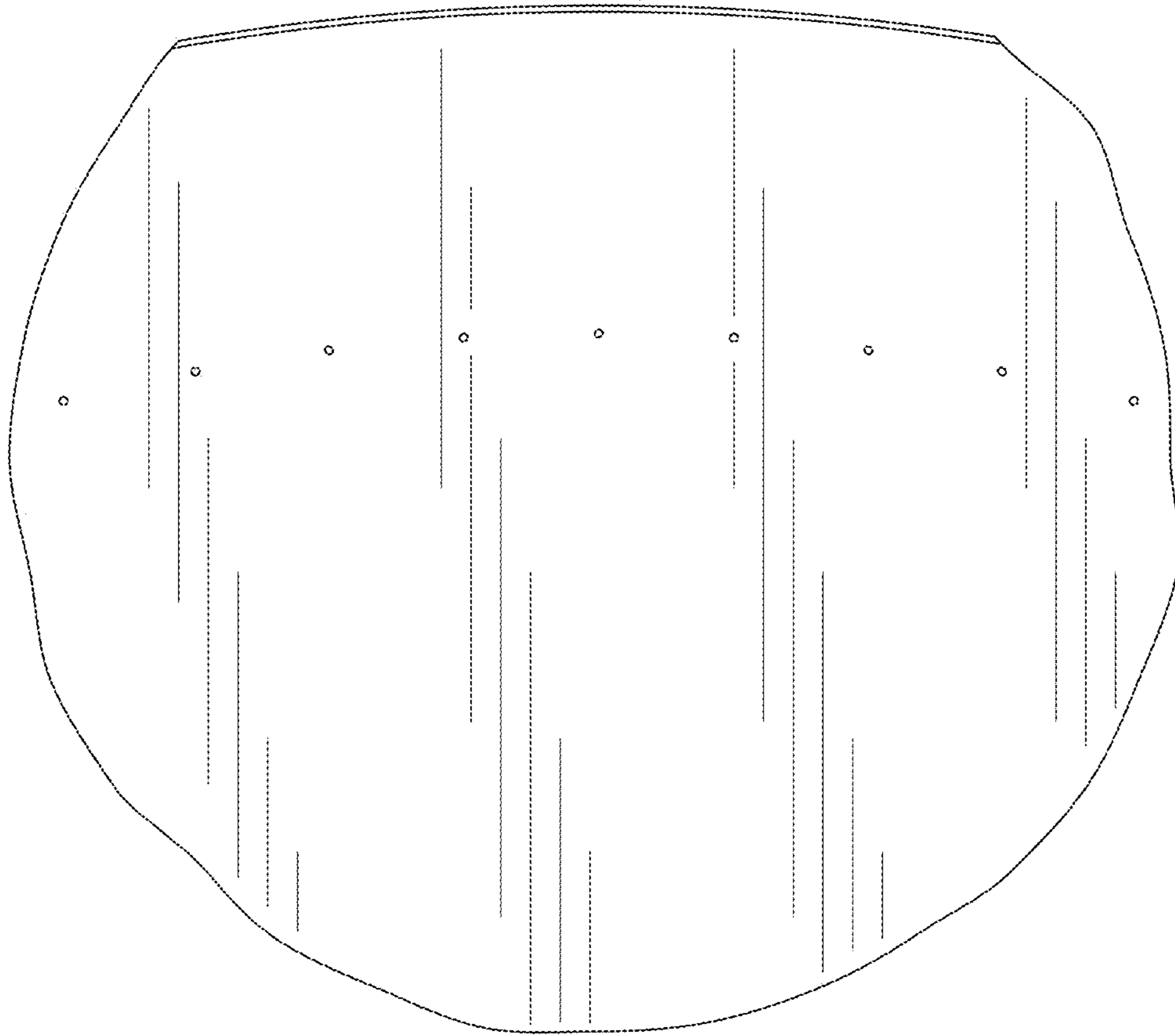


FIG. 8

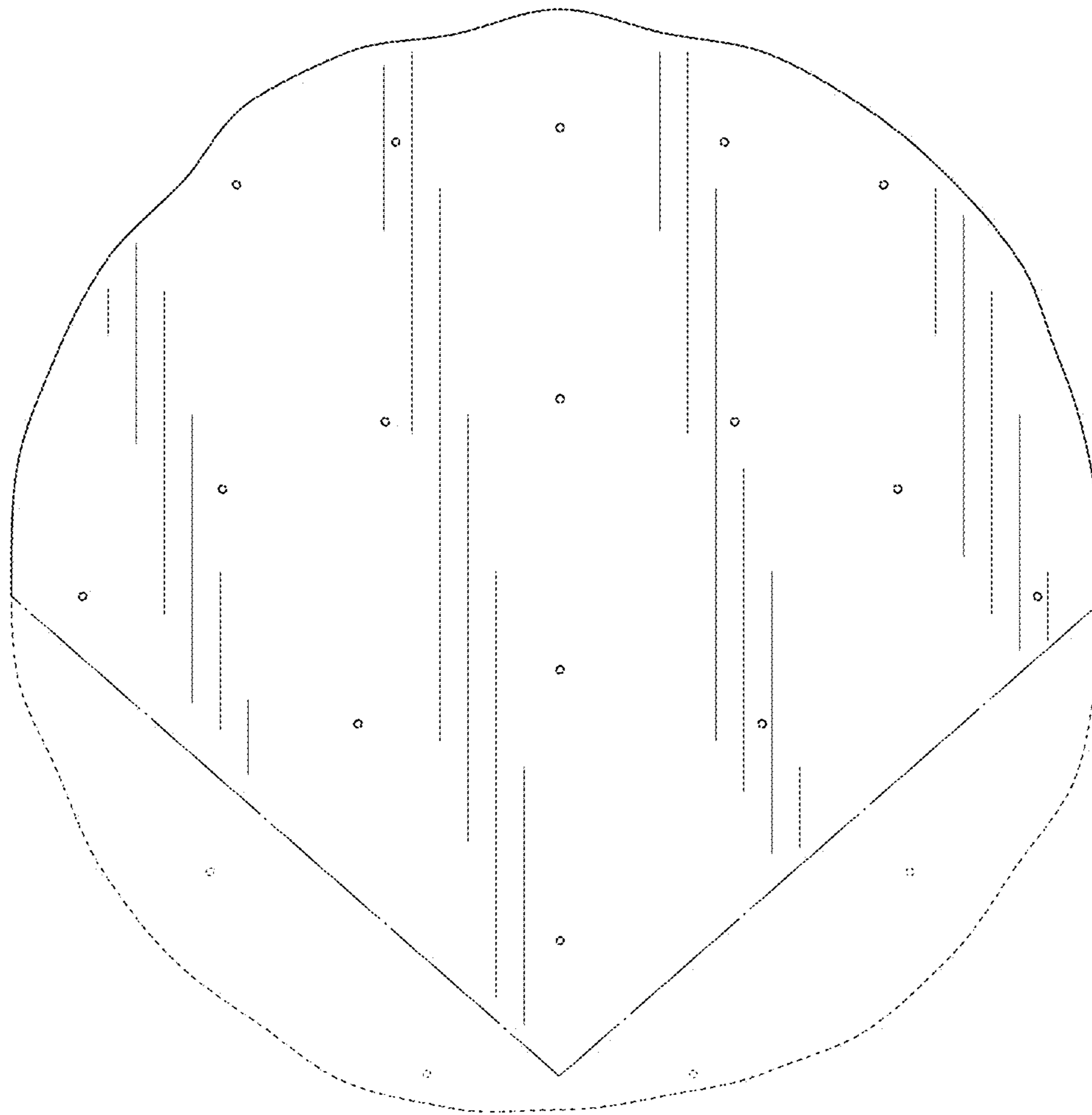


FIG. 9

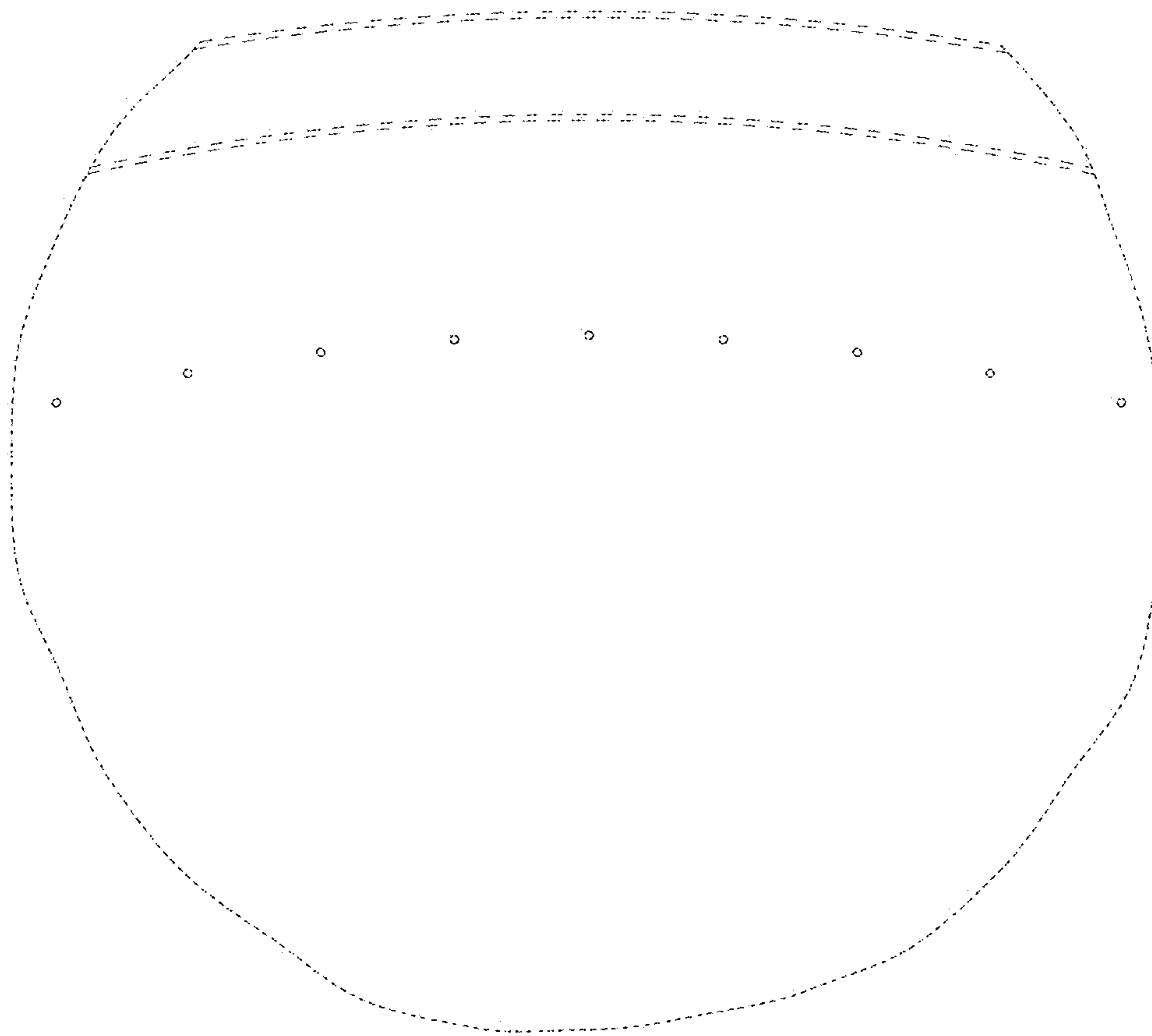


FIG. 10

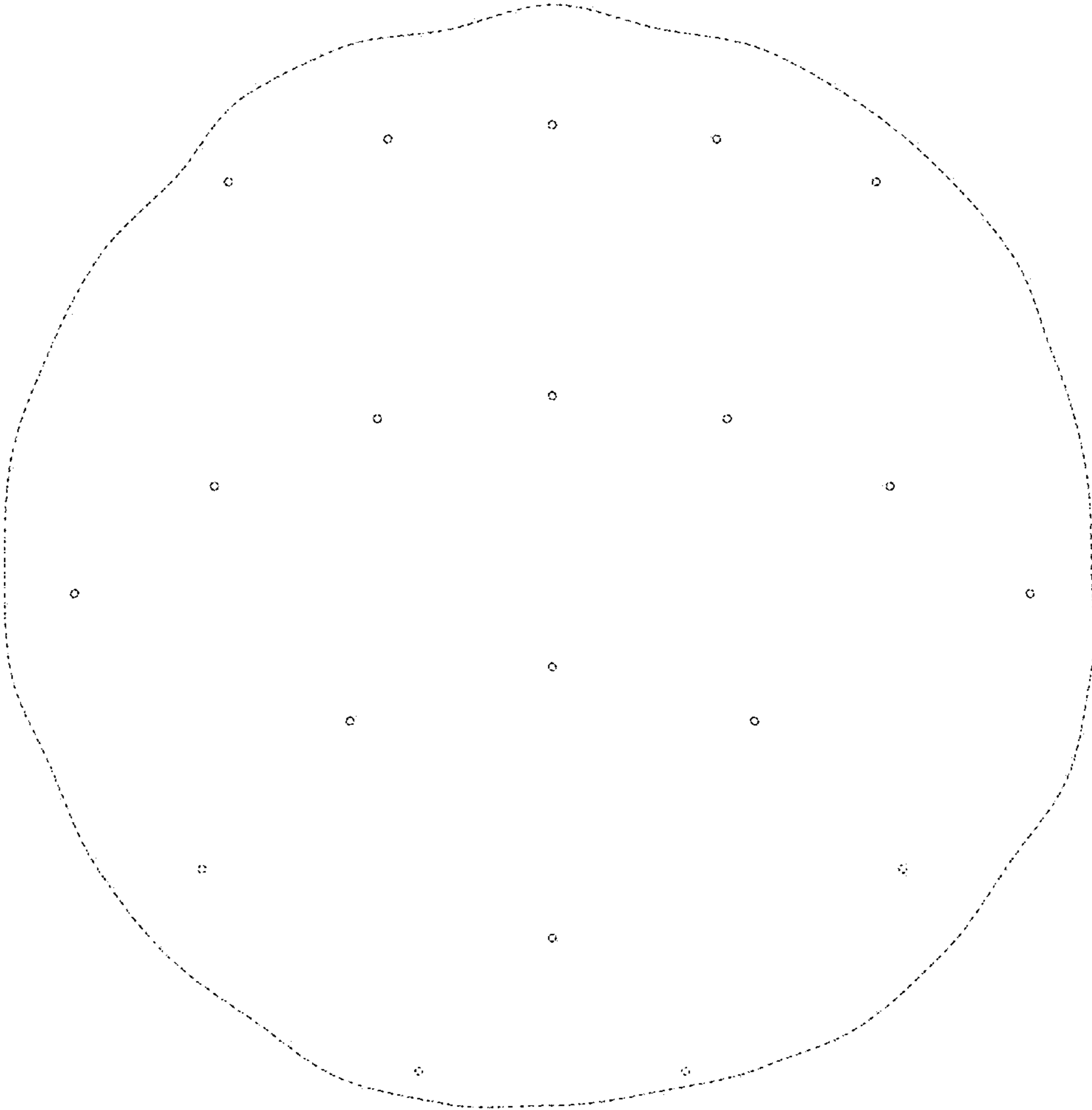


FIG. 11

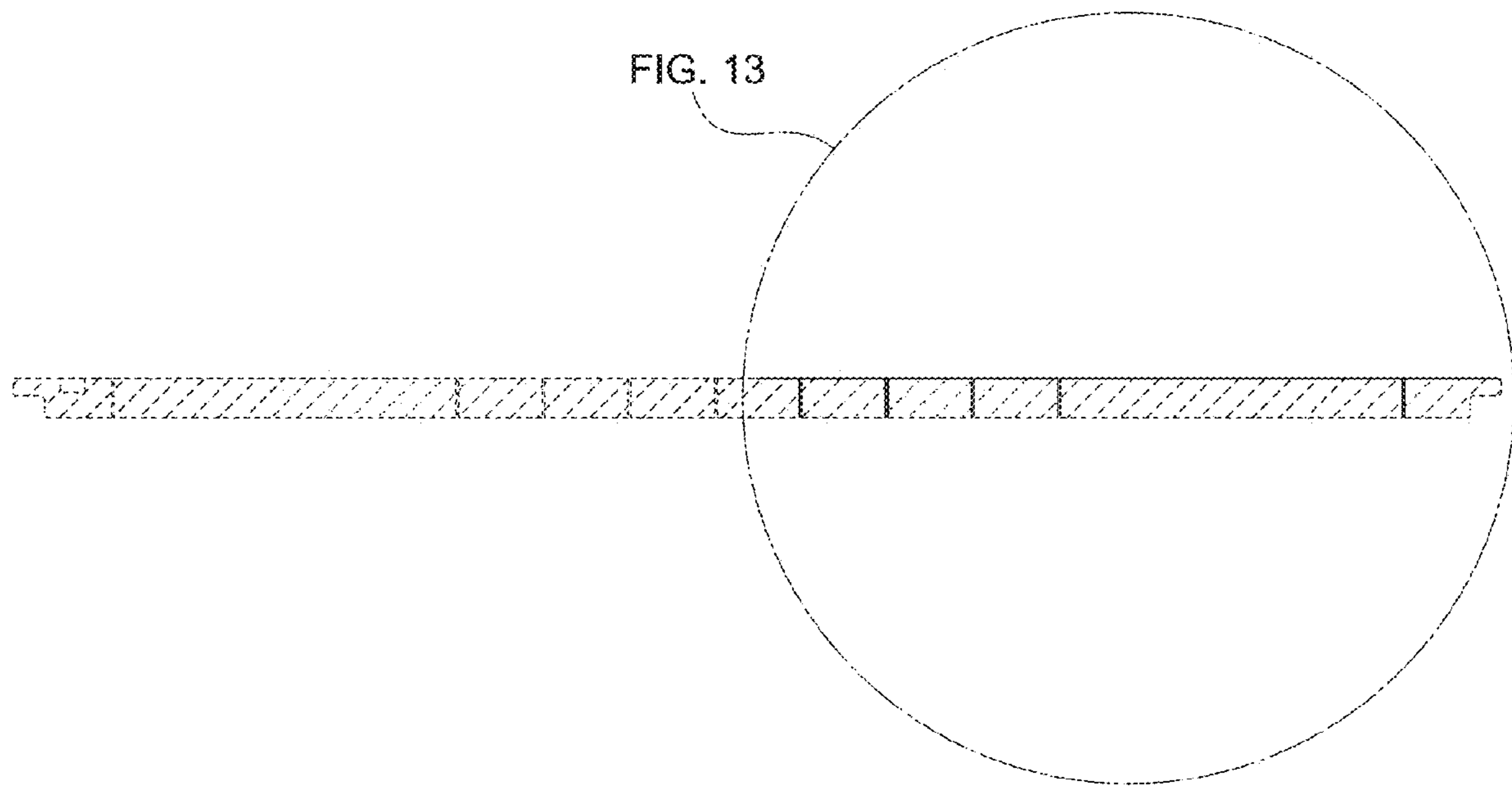


FIG. 12

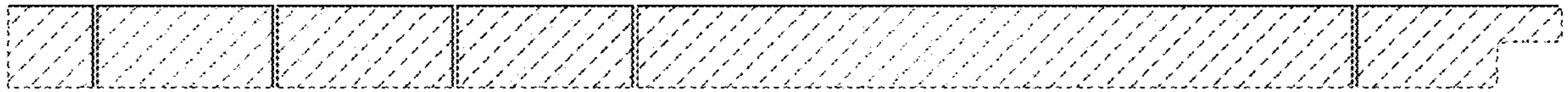


FIG. 13

UNITED STATES PATENT AND TRADEMARK OFFICE
CERTIFICATE OF CORRECTION

PATENT NO. : D877,079 S
APPLICATION NO. : 29/554794
DATED : March 3, 2020
INVENTOR(S) : Kozuka et al.

Page 1 of 1

It is certified that error appears in the above-identified patent and that said Letters Patent is hereby corrected as shown below:

On the Title Page

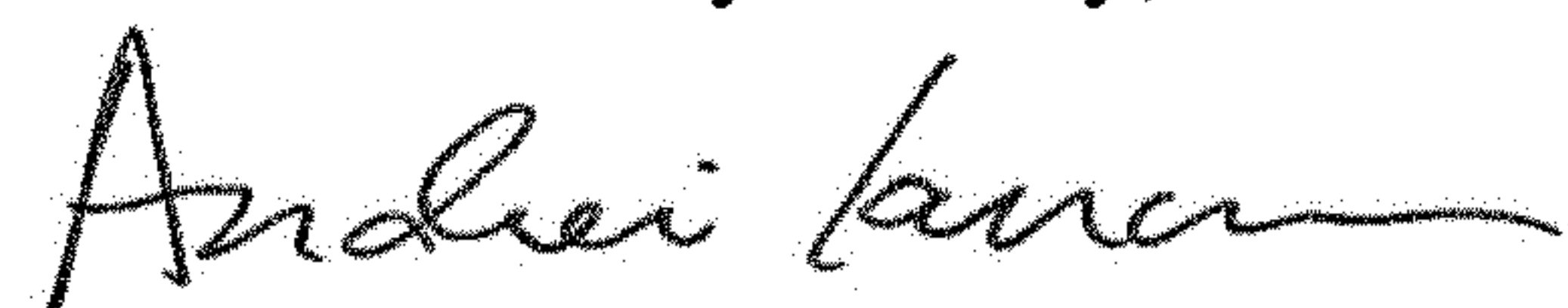
In the Description

In Line 14, please delete "FIG. 9" and replace it with --FIG. 10--

In Line 16, please delete "FIG. 9" and replace it with --FIG. 11--

In Line 18, please delete "FIG. 2" and replace it with --FIG. 4--

Signed and Sealed this
Twelfth Day of May, 2020



Andrei Iancu
Director of the United States Patent and Trademark Office