



US00D877076S

(12) **United States Design Patent** (10) **Patent No.:** **US D877,076 S**
Yonishi et al. (45) **Date of Patent:** **** Mar. 3, 2020**

(54) **RECHARGEABLE BATTERY** Jun. 5, 2012 (JP) D2012-013300
(Continued)
(71) Applicant: **SONY CORPORATION**, Tokyo (JP) (51) **LOC (12) Cl.** **13-02**
(72) Inventors: **Kiyoshi Yonishi**, Fukushima (JP); (52) **U.S. Cl.**
Atsuhiro Kumagai, Kanagawa (JP) USPC **D13/119**
(73) Assignee: **SONY CORPORATION**, Tokyo (JP) (58) **Field of Classification Search**
USPC D13/102-106, 110, 118-121, 184, 199
(**) Term: **15 Years** (Continued)
(21) Appl. No.: **29/605,248** (56) **References Cited**
(22) Filed: **May 24, 2017** U.S. PATENT DOCUMENTS
D277,747 S 2/1985 Toth
D335,277 S 5/1993 Hattori
(Continued)

Related U.S. Application Data

(63) Continuation of application No. 29/497,846, filed on Jul. 29, 2014, now Pat. No. Des. 788,696, which is a (Continued)

Foreign Application Priority Data

(30) May 24, 2012 (CN) 2012 3 0195617
May 24, 2012 (CN) 2012 3 0195623
Jun. 5, 2012 (JP) D2012-013285
Jun. 5, 2012 (JP) D2012-013286
Jun. 5, 2012 (JP) D2012-013287
Jun. 5, 2012 (JP) D2012-013288
Jun. 5, 2012 (JP) D2012-013289
Jun. 5, 2012 (JP) D2012-013290
Jun. 5, 2012 (JP) D2012-013291
Jun. 5, 2012 (JP) D2012-013292
Jun. 5, 2012 (JP) D2012-013293
Jun. 5, 2012 (JP) D2012-013294
Jun. 5, 2012 (JP) D2012-013295
Jun. 5, 2012 (JP) D2012-013296
Jun. 5, 2012 (JP) D2012-013297
Jun. 5, 2012 (JP) D2012-013298
Jun. 5, 2012 (JP) D2012-013299

FOREIGN PATENT DOCUMENTS

JP D1355276 S 4/2009
JP D1405669 S 1/2011
(Continued)

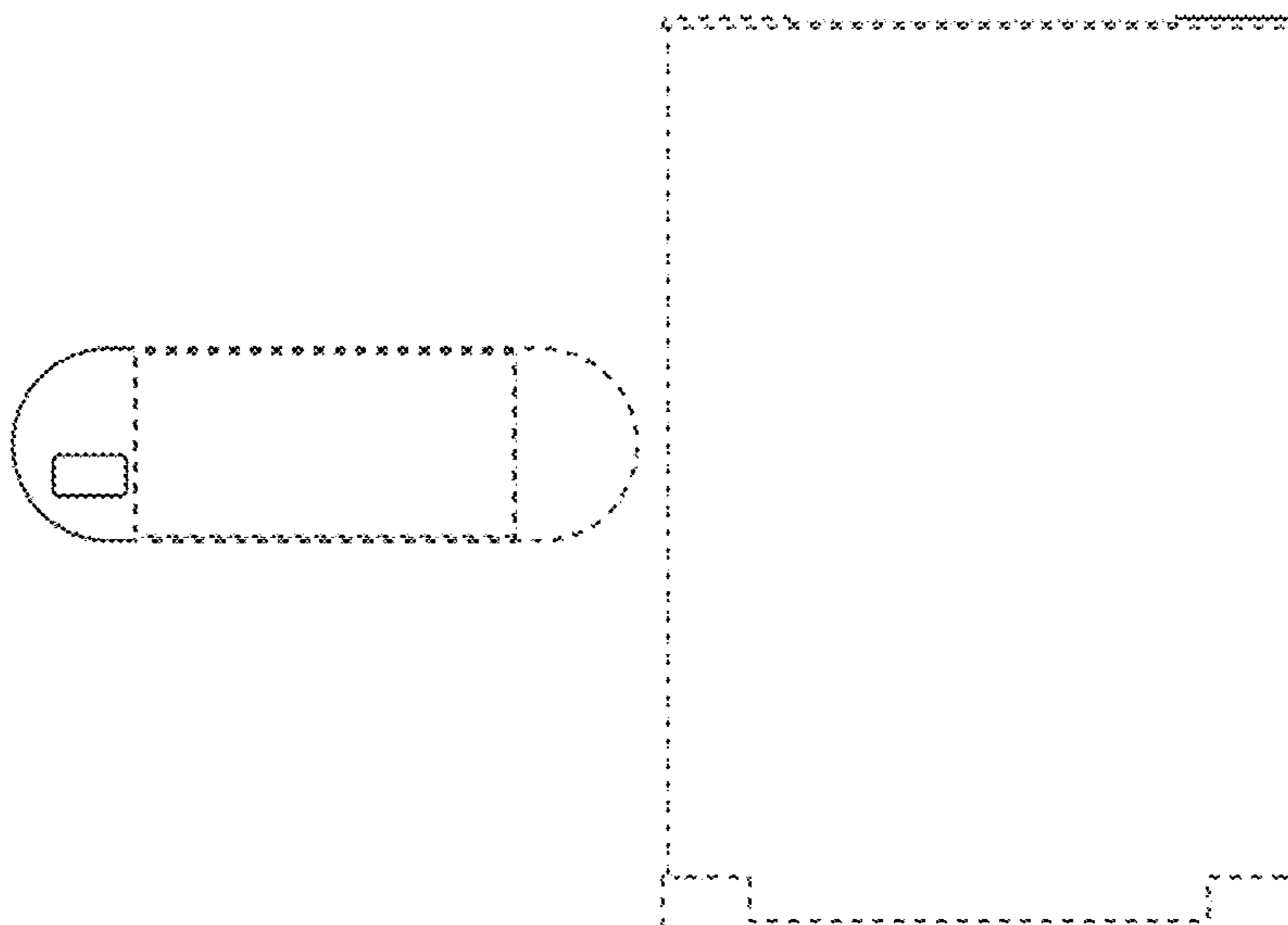
Primary Examiner — Rosemary K Tarcza
(74) *Attorney, Agent, or Firm* — Michael Best and Friedrich LLP

(57) **CLAIM**
The ornamental design for a rechargeable battery, as shown and described.

DESCRIPTION

FIG. 1 is a front, top, right perspective view of a rechargeable battery showing our new design; FIG. 2 is a front, bottom, left perspective view thereof; FIG. 3 is a rear elevational view thereof; FIG. 4 is a right side elevational view thereof; FIG. 5 is a top plan view thereof; and, FIG. 6 is a bottom plan view thereof. The broken lines shown in the drawings are for the purpose of illustrating portions of the rechargeable battery that form no part of the claimed design.

1 Claim, 3 Drawing Sheets



Related U.S. Application Data

continuation of application No. 29/462,492, filed on Aug. 5, 2013, now Pat. No. Des. 711,826, which is a continuation of application No. 29/442,045, filed on Nov. 21, 2012, now Pat. No. Des. 687,777.

(30) Foreign Application Priority Data

- Jun. 5, 2012 (JP) D2012-013301
Jun. 5, 2012 (JP) D2012-013302
Jun. 5, 2012 (JP) D2012-013303
Jun. 5, 2012 (JP) D2012-013304
Jun. 5, 2012 (JP) D2012-013305
Jun. 5, 2012 (JP) D2012-013306

(58) Field of Classification Search

CPC Y02E 60/12; Y02E 60/122; Y02E 60/124; Y02E 60/50; H01M 2/02; H01M 2/022; H01M 2/0202; H01M 2/0207; H01M 2/0212; H01M 2/1061; H01M 2/1022; H01M 2/1055; H01M 2/1066; H01M 2/105; H01M 2/204; H01M 10/4257; H01M 10/0436; H01M 10/48

See application file for complete search history.

(56) References Cited

U.S. PATENT DOCUMENTS

D356,291 S 3/1995 Kawamura
D362,839 S 10/1995 Tamaki
D363,055 S * 10/1995 Kobayashi D13/103
D400,848 S 11/1998 Clark et al.
D417,860 S 12/1999 Lau
D426,513 S 6/2000 Toops et al.
D439,877 S 4/2001 Vacheron et al.
6,376,122 B1 4/2002 Cheeseman
D473,186 S 4/2003 Grosfeld et al.
D478,086 S 8/2003 Chuang
D486,789 S 2/2004 Santiago
D490,370 S 5/2004 Picardo
D509,182 S 9/2005 Takeshita et al.
D515,499 S 2/2006 Matsuda et al.
D516,018 S 2/2006 Ohsako et al.
D516,019 S 2/2006 Ohsako et al.
D516,503 S 3/2006 Takeshita et al.
D548,181 S 8/2007 Krieger et al.
D582,845 S * 12/2008 O'Hern D13/110
7,462,417 B2 12/2008 Moon
D586,741 S * 2/2009 Song D13/103
D586,742 S 2/2009 Song
D590,334 S 4/2009 Tatehata et al.
D590,335 S 4/2009 Tatehata et al.
D590,336 S 4/2009 Tatehata et al.
D590,337 S 4/2009 Tatehata et al.
D590,341 S 4/2009 Tatehata et al.
D590,769 S 4/2009 Tatehata et al.
D592,130 S 5/2009 Tatehata et al.
D593,940 S * 6/2009 Nomi D13/103
D601,494 S 10/2009 Otani et al.
D604,696 S 11/2009 Tasai
D608,276 S 1/2010 Takeshita et al.
D618,171 S 6/2010 Tatehata et al.

D619,959 S 7/2010 Takeshita et al.
D622,213 S 8/2010 Nomi et al.
D623,590 S 9/2010 Otani et al.
D635,512 S 4/2011 Tatehata et al.
7,985,501 B2 7/2011 Kim et al.
D642,980 S 8/2011 Inaba
D643,814 S * 8/2011 Tanaka D13/120
7,989,105 B2 8/2011 Suzuki et al.
D644,988 S 9/2011 Finney et al.
D645,814 S 9/2011 Otani et al.
D646,222 S 10/2011 Tatehata et al.
D654,016 S * 2/2012 Neidhart D13/103
D662,473 S 6/2012 Andre et al.
D669,427 S 10/2012 Ignor et al.
D682,777 S * 5/2013 Gupta D13/103
D685,319 S 7/2013 Ignor et al.
D686,148 S 7/2013 Inaba
D686,981 S 7/2013 Koyabu et al.
D687,777 S 8/2013 Yonishi et al.
D688,198 S 8/2013 Takeshita et al.
D709,823 S * 7/2014 Corley D13/103
D711,821 S * 8/2014 Wang D13/103
D711,826 S 8/2014 Yonishi et al.
D733,050 S * 6/2015 Chiang D13/103
D733,051 S * 6/2015 Wang D13/103
D740,226 S * 10/2015 Kitsugi D13/119
D740,752 S * 10/2015 Kitsugi D13/119
D741,800 S * 10/2015 Yonishi D13/119
D747,264 S * 1/2016 Kitsugi D13/103
D763,185 S * 8/2016 Wen D13/103
D768,069 S * 10/2016 Hoshikawa D13/103
D788,696 S * 6/2017 Yonishi D13/103
D791,070 S * 7/2017 Son D13/103
D799,425 S * 10/2017 Kitsugi D13/119
D812,000 S * 3/2018 Li D13/108
D833,973 S * 11/2018 Kitsugi D13/119
D839,823 S * 2/2019 Lemelson D13/103
D842,237 S * 3/2019 Qiu D13/103
D845,377 S * 4/2019 Masano D16/242
2004/0053128 A1 3/2004 Smith et al.
2005/0008931 A1 1/2005 Axelrod
2005/0208345 A1 * 9/2005 Yoon H01M 2/0434
429/7
2006/0281002 A1 12/2006 Aoki et al.
2008/0152994 A1 6/2008 Yamagami et al.
2008/0254348 A1 * 10/2008 Hatta H01M 2/021
429/94
2008/0305367 A1 12/2008 Baek et al.
2011/0129697 A1 6/2011 Sim et al.
2011/0151284 A1 6/2011 Baek et al.
2011/0177362 A1 7/2011 Kim et al.
2011/0250489 A1 10/2011 Baek et al.
2012/0070697 A1 * 3/2012 Baek H01M 2/0473
429/7
2012/0106015 A1 5/2012 Kwak et al.
2012/0121945 A1 5/2012 Kim
2013/0224530 A1 8/2013 Baek et al.
2013/0230746 A1 9/2013 Byun

FOREIGN PATENT DOCUMENTS

WO WO-DM/063870 S 7/2003
WO WO-DM/065508 S 7/2003
WO WO-DM/069177 S 9/2007

* cited by examiner

FIG.1

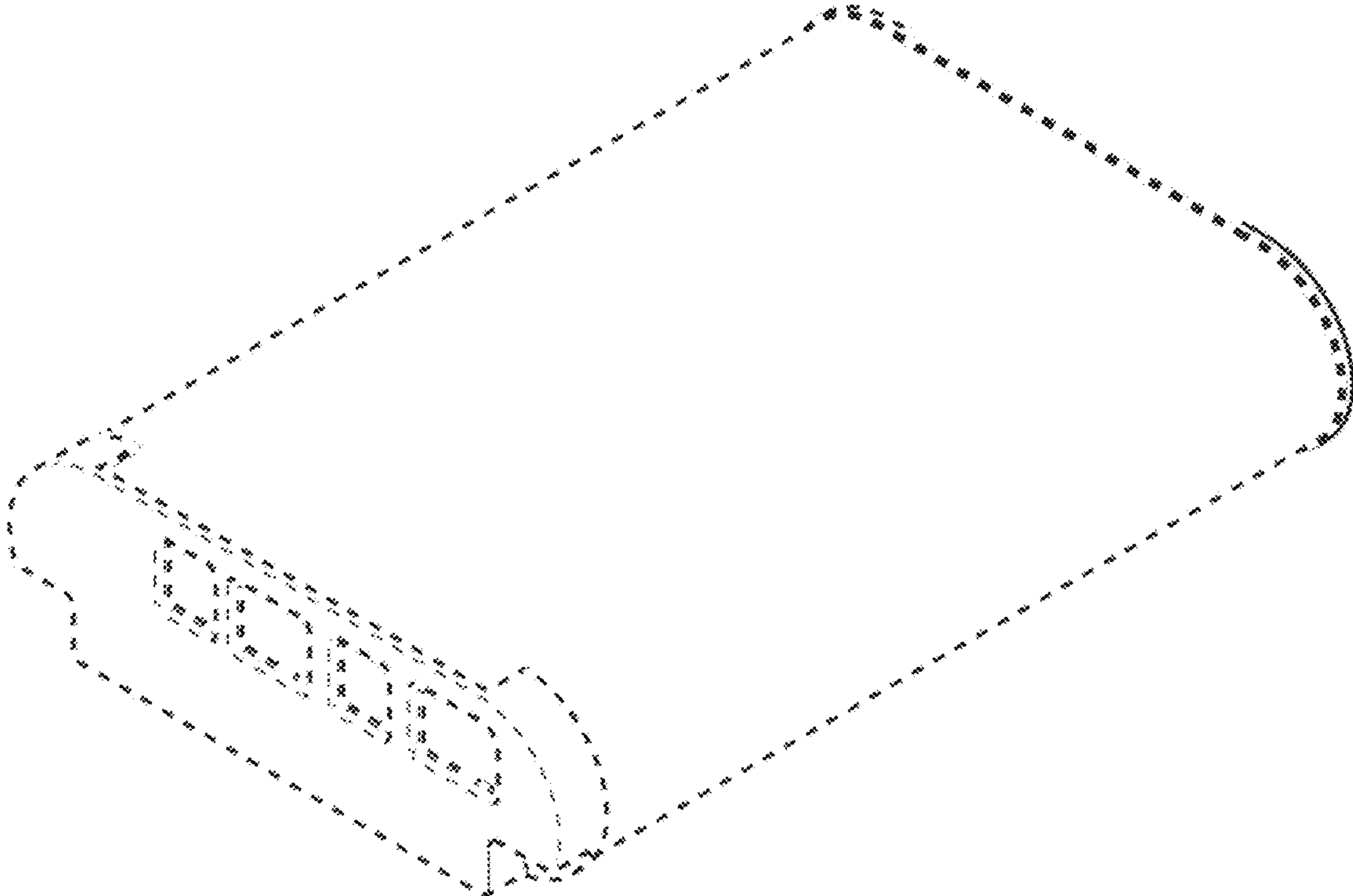


FIG.2

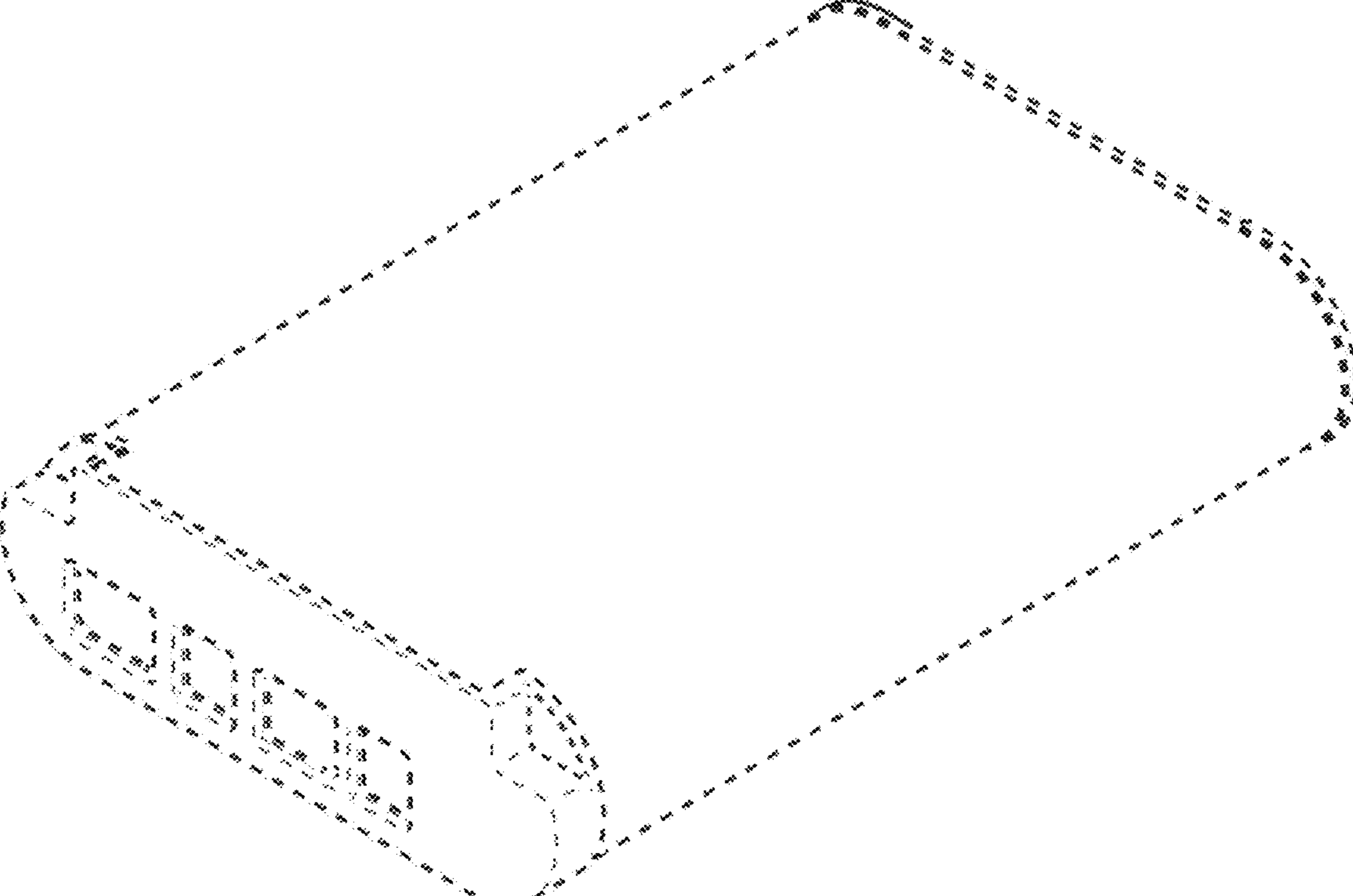


FIG.3



FIG.4

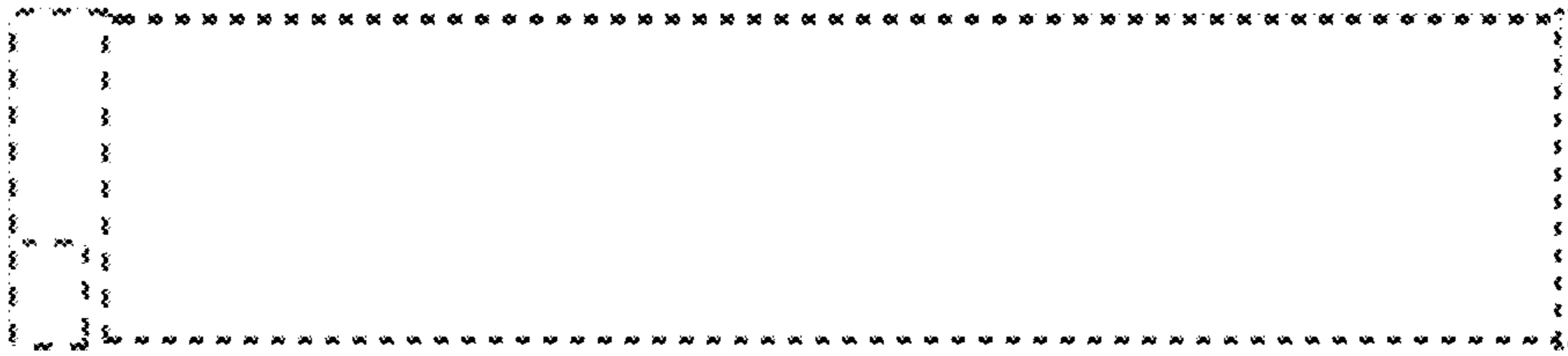


FIG.6



FIG.5

