



US00D877073S

(12) **United States Design Patent**
Zheng et al.

(10) **Patent No.:** **US D877,073 S**
(45) **Date of Patent:** **** Mar. 3, 2020**

(54) **WIRELESS CHARGING BASE**

(71) Applicant: **Shenzhen Lingyi Innovation Tech Co., Ltd.**, Shenzhen (CN)

(72) Inventors: **Yanghui Zheng**, Shenzhen (CN); **Zhiteng Gan**, Shenzhen (CN); **Sen Chou**, Shenzhen (CN); **Yanghong Zheng**, Shenzhen (CN); **Liang Shao**, Shenzhen (CN); **Jingyan Zheng**, Shenzhen (CN)

(73) Assignee: **SHENZHEN LINGYI INNOVATION TECH CO., LTD**, Baoan District, Shenzhen (CN)

(**) Term: **15 Years**

(21) Appl. No.: **29/674,631**

(22) Filed: **Dec. 21, 2018**

(51) **LOC (12) Cl.** **13-02**

(52) **U.S. Cl.**
USPC **D13/108**

(58) **Field of Classification Search**
USPC D13/103-110, 118, 119, 184, 199;
D14/251, 253, 432, 434
CPC Y02E 60/10; Y02E 60/12; Y02E 60/122;
Y02E 60/124; Y02E 60/50; H01M 2/02;
H01M 2/022; H01M 2/0202; H01M
2/0207; H01M 2/0212; H01M 2/1061;
H01M 2/1022; H01M 2/1055; H01M
2/1066; H01M 2/105; H01M 2/20; H01M
2/202; H01M 2/204; H01M 2/206; H01M
10/44; H01M 10/46; H01M 10/465;
H01M 10/482; H01M 2200/30; H01M
2250/30; H01M 2250/40; H02J 7/00;
H02J 7/0003; H02J 7/0011; H02J 7/0013;
H02J 7/0054; H02J 7/0055; H02J 7/0057;
H02J 2007/0062

See application file for complete search history.

(56) **References Cited**

U.S. PATENT DOCUMENTS

D620,884 S *	8/2010	Lee	D13/108
D697,027 S *	1/2014	Ho	D13/108
D701,831 S *	4/2014	Park	D13/108
D720,688 S *	1/2015	Popper	D13/103
D740,221 S *	10/2015	Popper	D13/103
D752,512 S *	3/2016	Dorn	D13/107
D758,304 S *	6/2016	Wright	D13/107
D768,604 S *	10/2016	Flowers	D13/108
D800,060 S *	10/2017	Solland	D13/108
D812,565 S *	3/2018	Lee	D13/110
D815,034 S *	4/2018	Zhao	D13/107
D851,035 S *	6/2019	Hong	D13/108
D851,038 S *	6/2019	Peng	D13/110
D853,960 S *	7/2019	Lei	D13/108
D859,415 S *	9/2019	Liao	D14/434

(Continued)

Primary Examiner — Rosemary K Tarcza

Assistant Examiner — Christy M Nemeth

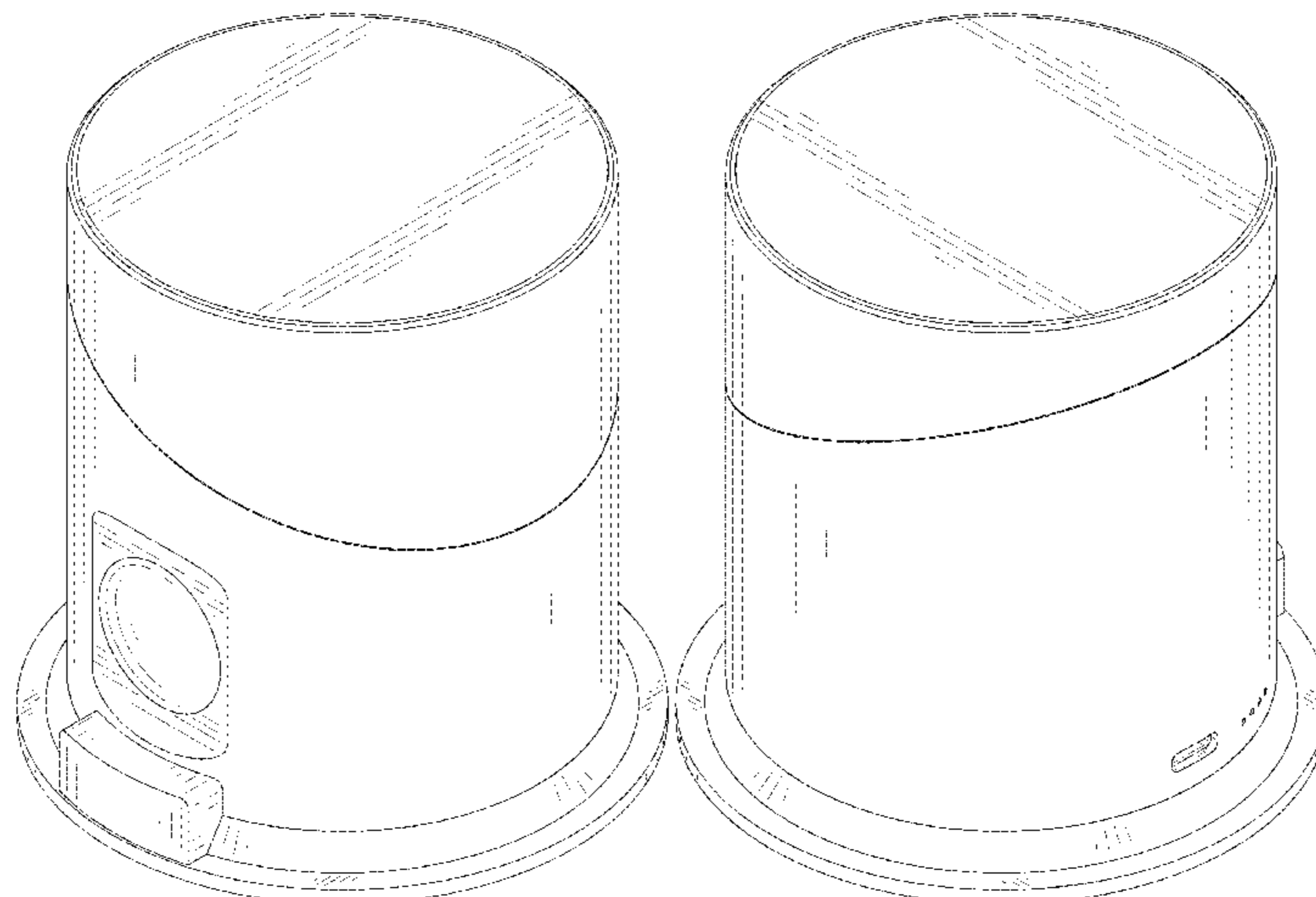
(57) **CLAIM**

The ornamental design for a wireless charging base, as shown and described.

DESCRIPTION

FIG. 1 is a top, front and right side perspective view of a wireless charging base showing our new design;
FIG. 2 is a top, rear and left side perspective view thereof;
FIG. 3 is a front elevational view thereof;
FIG. 4 is a rear elevational view thereof;
FIG. 5 is a left side elevational view thereof;
FIG. 6 is a right side elevational view thereof;
FIG. 7 is a top plan view thereof; and,
FIG. 8 is a bottom plan view thereof.

(Continued)



The broken lines in the drawings illustrate portions of the wireless charging base which form no part of the claimed design.

1 Claim, 8 Drawing Sheets

(56) **References Cited**

U.S. PATENT DOCUMENTS

D860,951 S * 9/2019 Hu D13/144
2017/0099873 A1* 4/2017 Benjamignan A24F 1/30

* cited by examiner

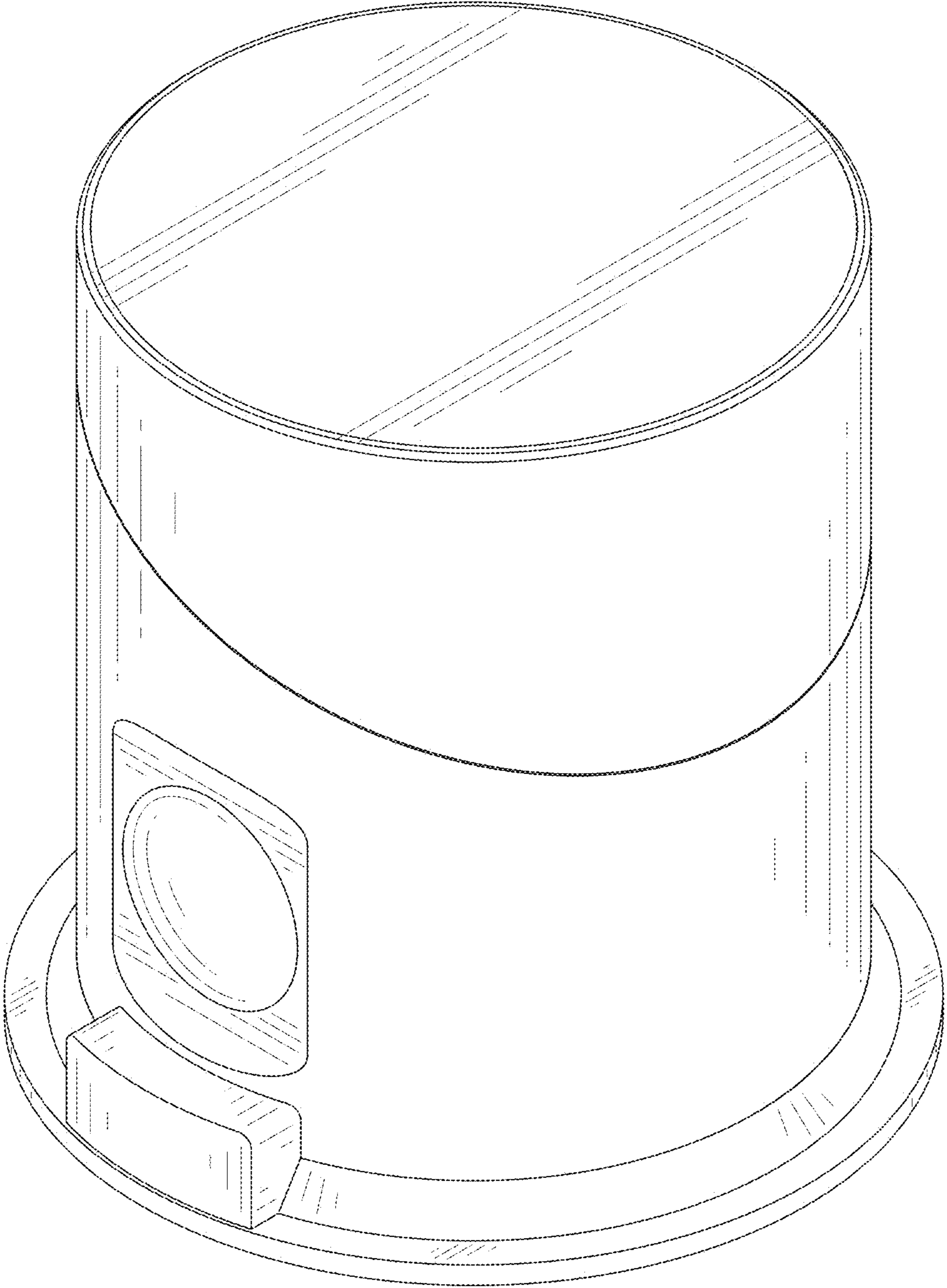


FIG. 1

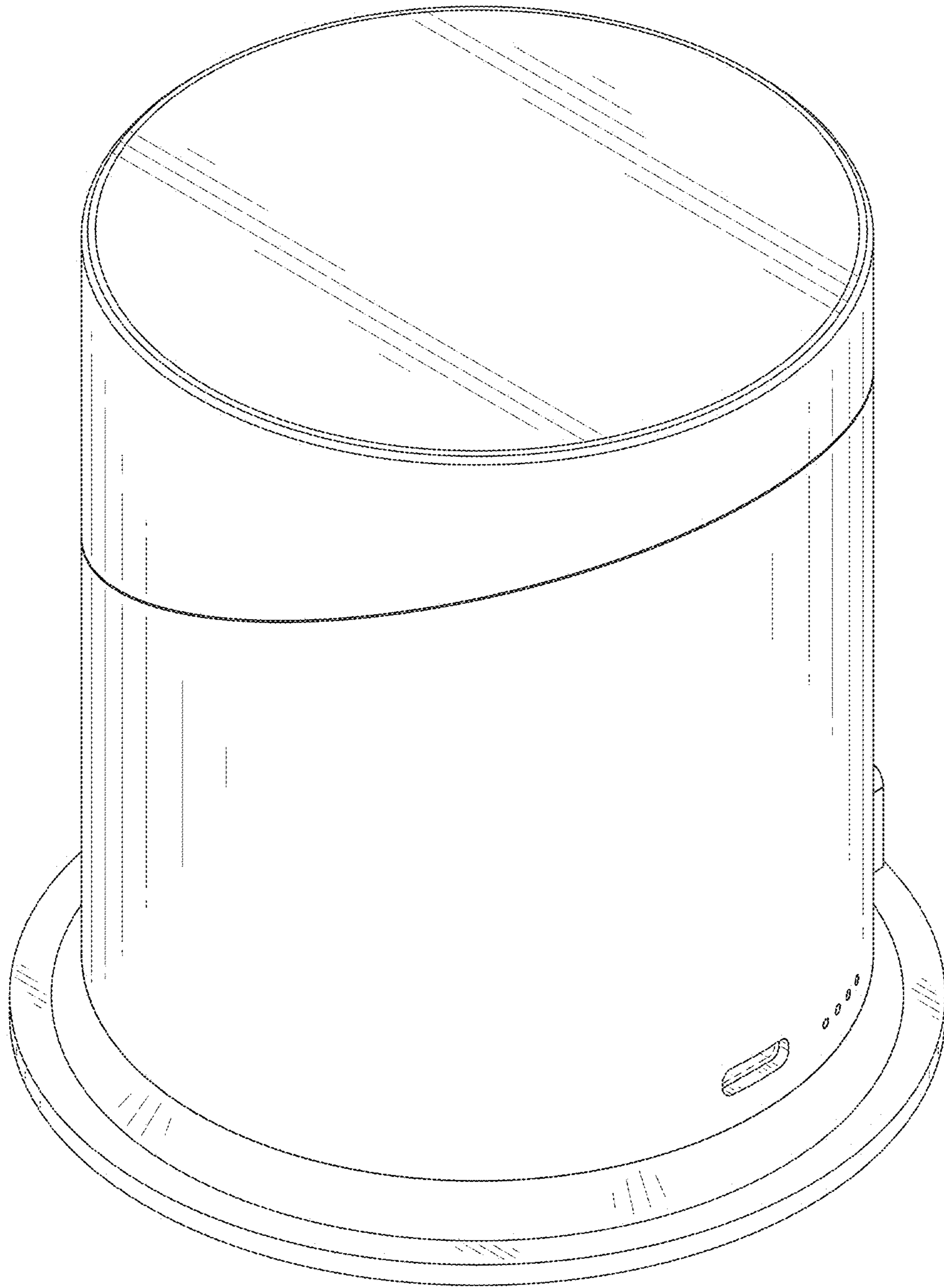


FIG. 2

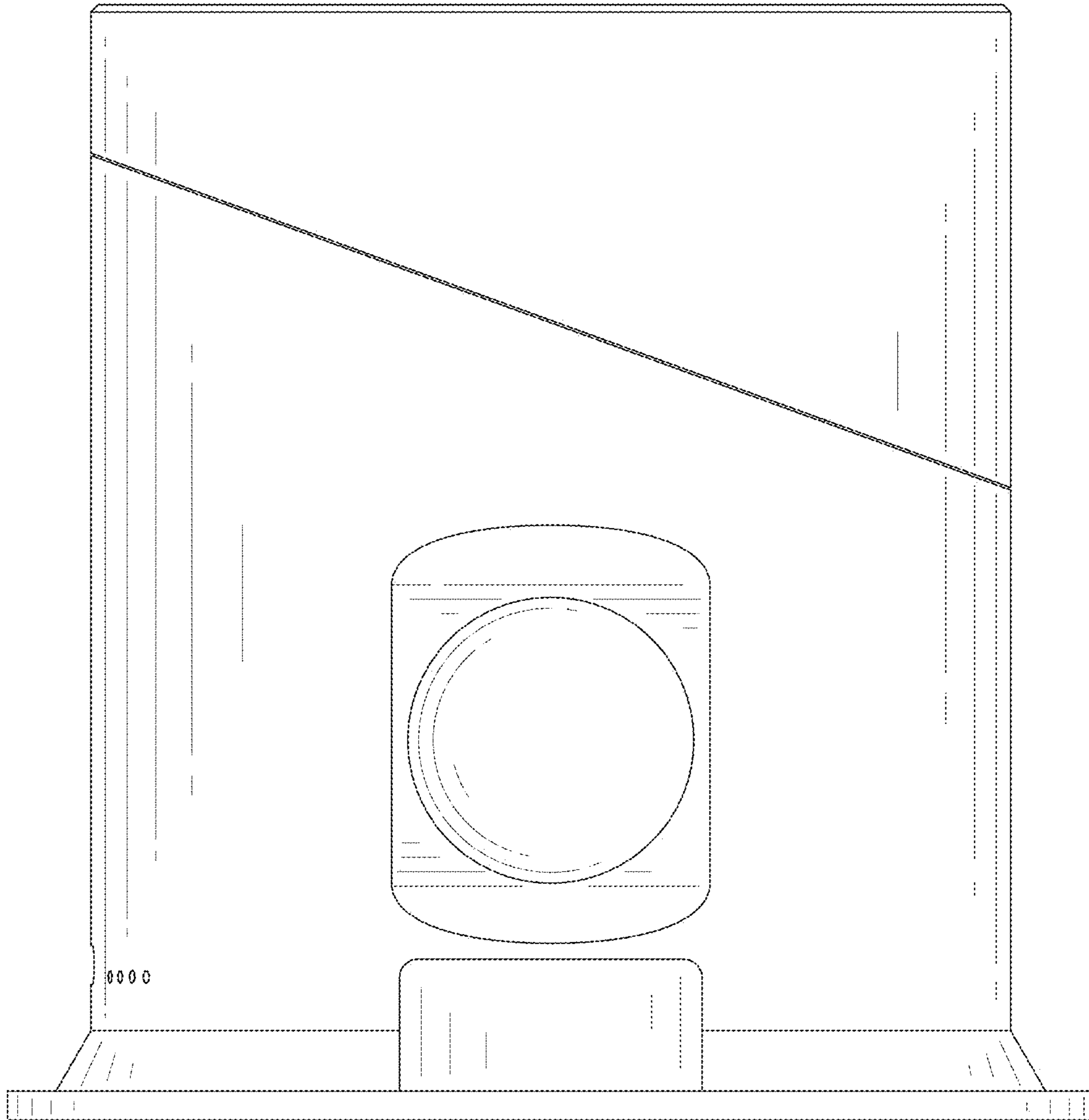


FIG. 3

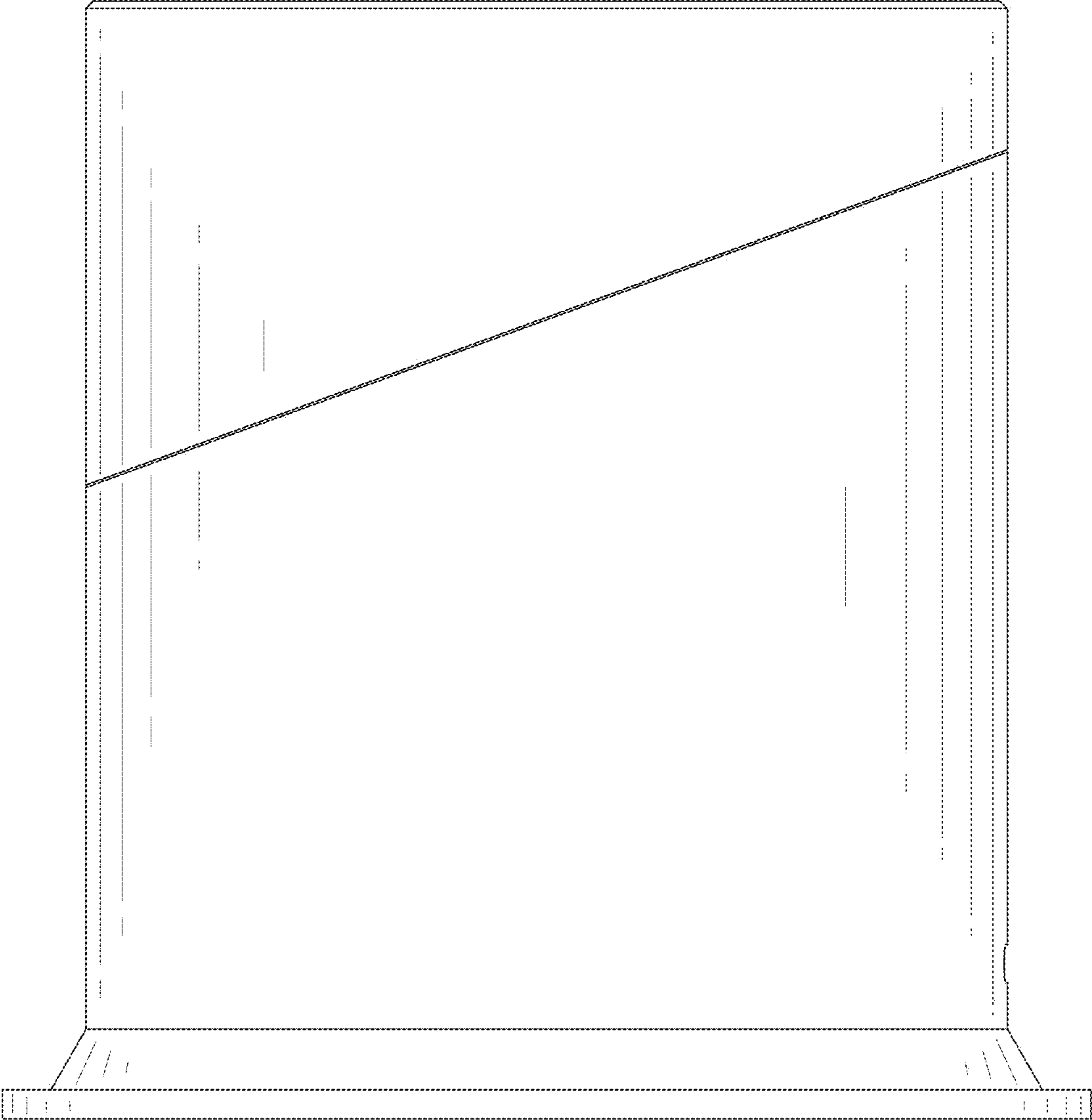


FIG. 4

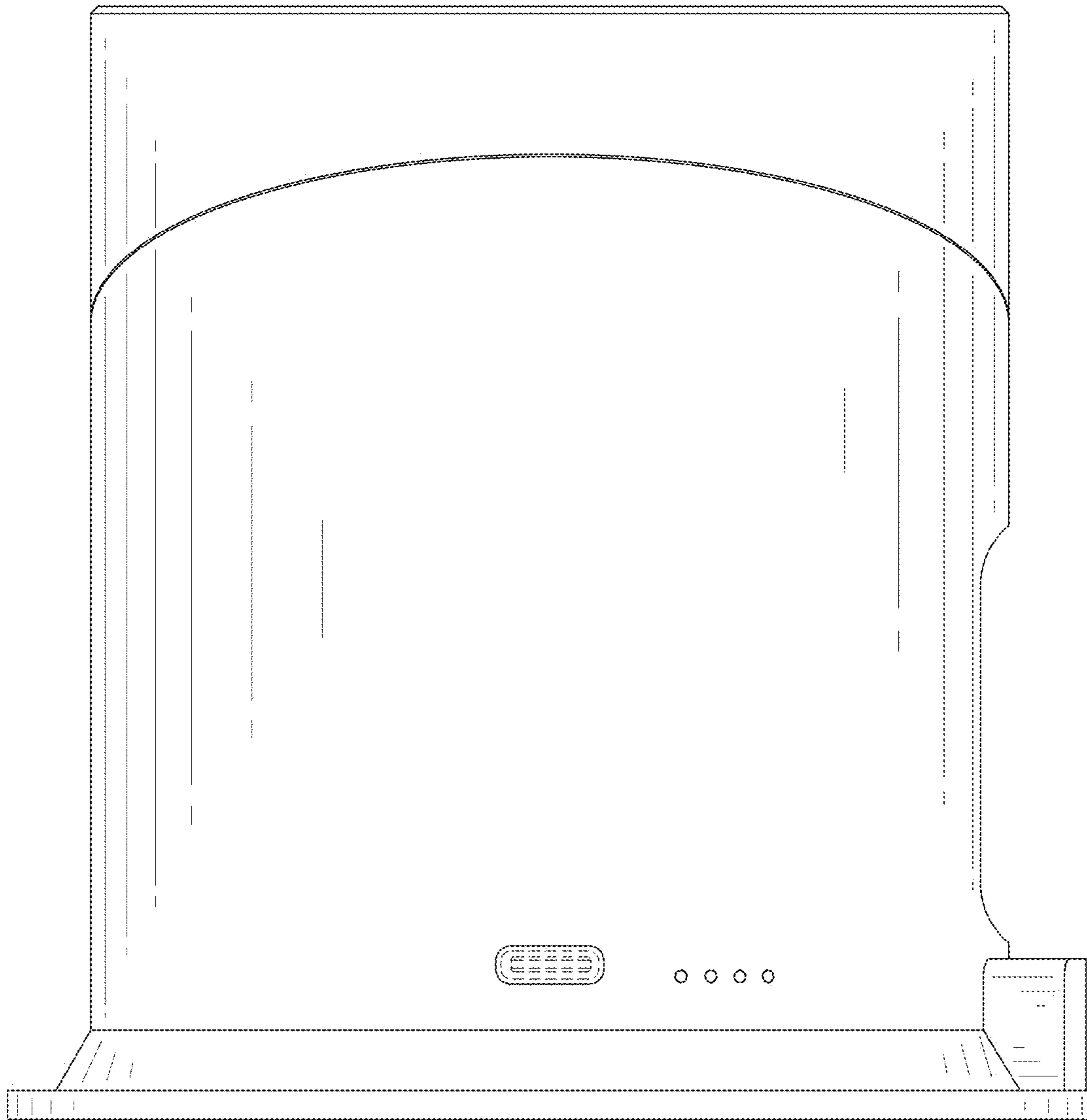


FIG. 5

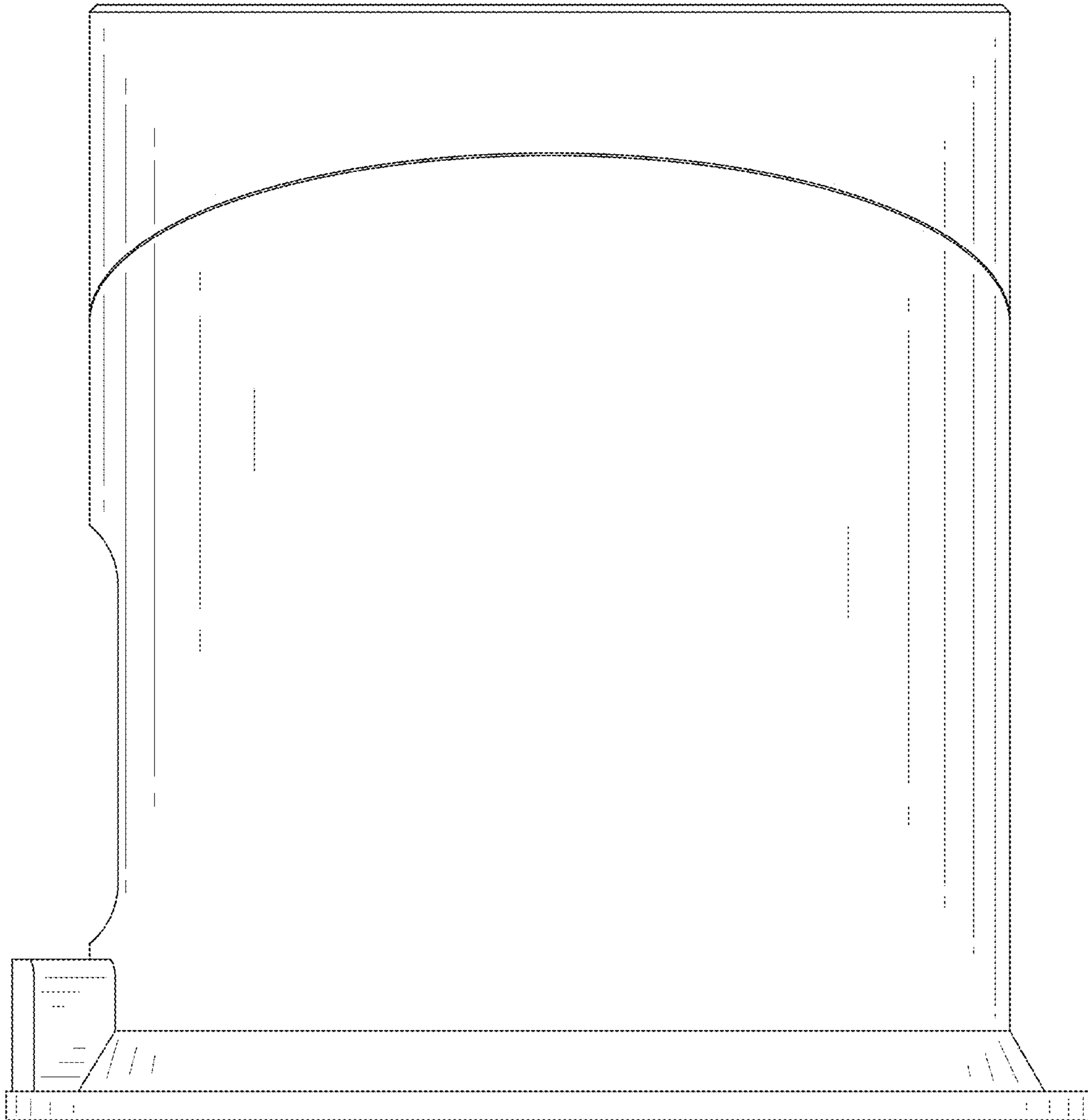


FIG. 6

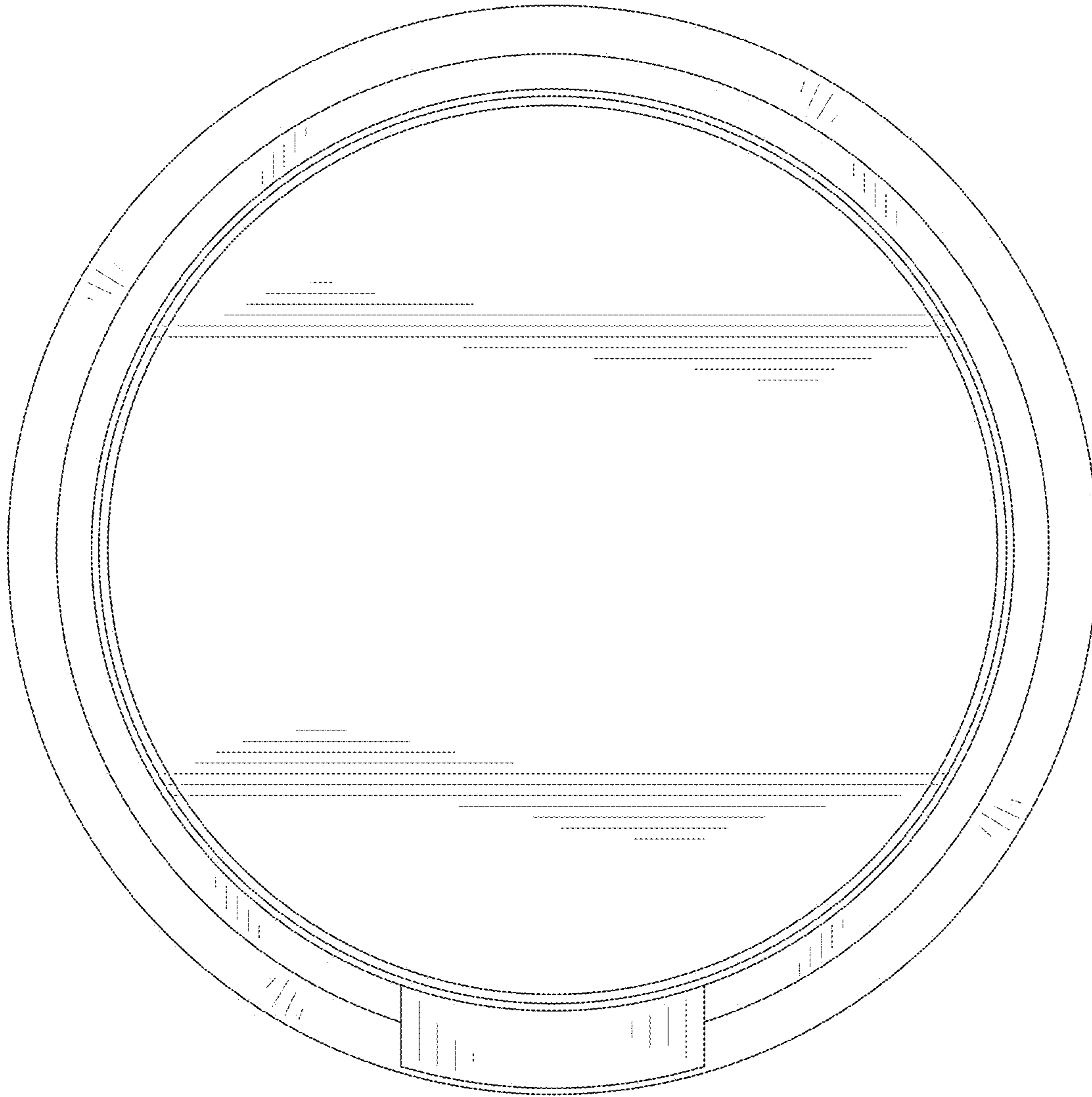


FIG. 7

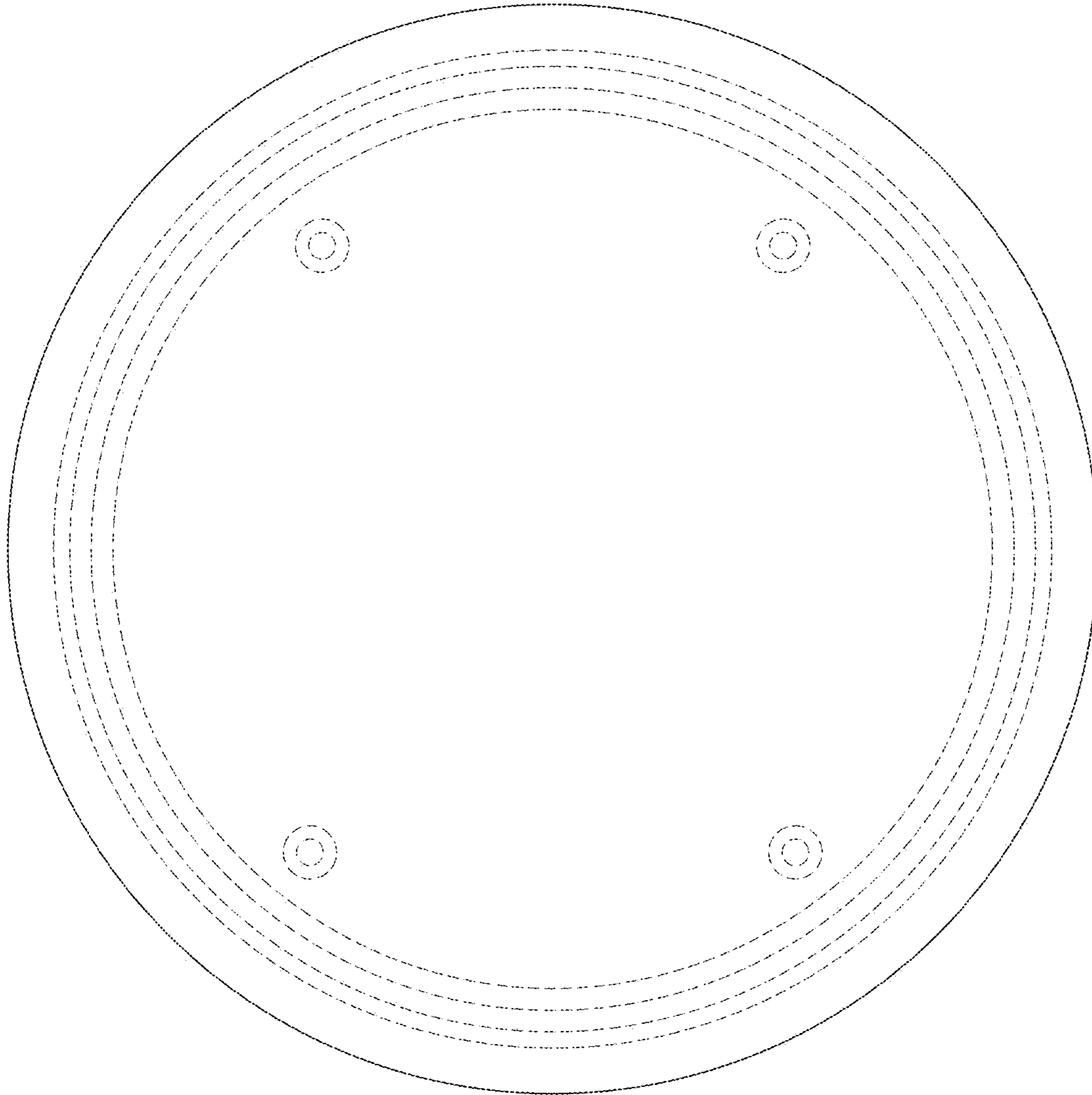


FIG. 8