



US00D877072S

(12) **United States Design Patent**  
**Yin**

(10) **Patent No.:** **US D877,072 S**  
(45) **Date of Patent:** **\*\* Mar. 3, 2020**

(54) **CHARGING STAND**

(71) Applicant: **Shenzhen Ou Le Bai Technology Co., Ltd**, Shenzhen, Guangdong (CN)

(72) Inventor: **Pei Yin**, Guangdong (CN)

(73) Assignee: **Shenzhen Ou Le Bai Technology Co., Ltd**, Shenzhen (CN)

(\*\*) Term: **15 Years**

(21) Appl. No.: **29/672,785**

(22) Filed: **Dec. 10, 2018**

(51) **LOC (12) Cl.** ..... **13-02**

(52) **U.S. Cl.**  
USPC ..... **D13/108**

(58) **Field of Classification Search**  
USPC ..... D13/103-110, 118, 119, 184, 199;  
D14/251, 253, 432, 434  
CPC ..... Y02E 60/10; Y02E 60/12; Y02E 60/122;  
Y02E 60/124; Y02E 60/50; H01M 2/02;  
H01M 2/022; H01M 2/0202; H01M  
2/0207; H01M 2/0212; H01M 2/1061;  
H01M 2/1022; H01M 2/1055; H01M  
2/1066; H01M 2/105; H01M 2/20; H01M  
2/202; H01M 2/204; H01M 2/206; H01M  
10/44; H01M 10/46; H01M 10/465;  
H01M 10/482; H01M 2200/30; H01M  
2250/30; H01M 2250/40; H02J 7/00;  
H02J 7/0003; H02J 7/0011; H02J 7/0013;  
H02J 7/0054; H02J 7/0055; H02J 7/0057;  
H02J 2007/0062

See application file for complete search history.

(56) **References Cited**

**U.S. PATENT DOCUMENTS**

D724,025 S \* 3/2015 Peek ..... D13/108  
D764,406 S \* 8/2016 Uchida ..... D13/108

D768,077 S \* 10/2016 Wahl ..... D13/108  
D776,053 S \* 1/2017 Barnard ..... D13/108  
D813,805 S \* 3/2018 Zhong ..... D13/108  
D814,413 S \* 4/2018 Zhong ..... D13/108  
D826,849 S \* 8/2018 Maibach ..... D13/108  
D826,851 S \* 8/2018 Wang ..... D13/108  
D827,568 S \* 9/2018 Turksu ..... D13/108  
D837,144 S \* 1/2019 Nam ..... D13/107  
D837,150 S \* 1/2019 Naslund ..... D13/108  
D839,190 S \* 1/2019 Xie ..... D13/108  
D851,036 S \* 6/2019 Saangloef ..... D13/108  
D851,587 S \* 6/2019 Schmidt ..... D13/108  
D852,134 S \* 6/2019 Mei ..... D13/108  
D852,135 S \* 6/2019 Mei ..... D13/108  
D855,566 S \* 8/2019 Chen ..... D13/108  
D857,625 S \* 8/2019 Cao ..... D13/108  
D857,626 S \* 8/2019 Zhang ..... D13/108  
D858,437 S \* 9/2019 Lu ..... D13/108  
D861,598 S \* 10/2019 Xiao ..... D13/108

(Continued)

*Primary Examiner* — Rosemary K Tarcza  
*Assistant Examiner* — Christy M Nemeth

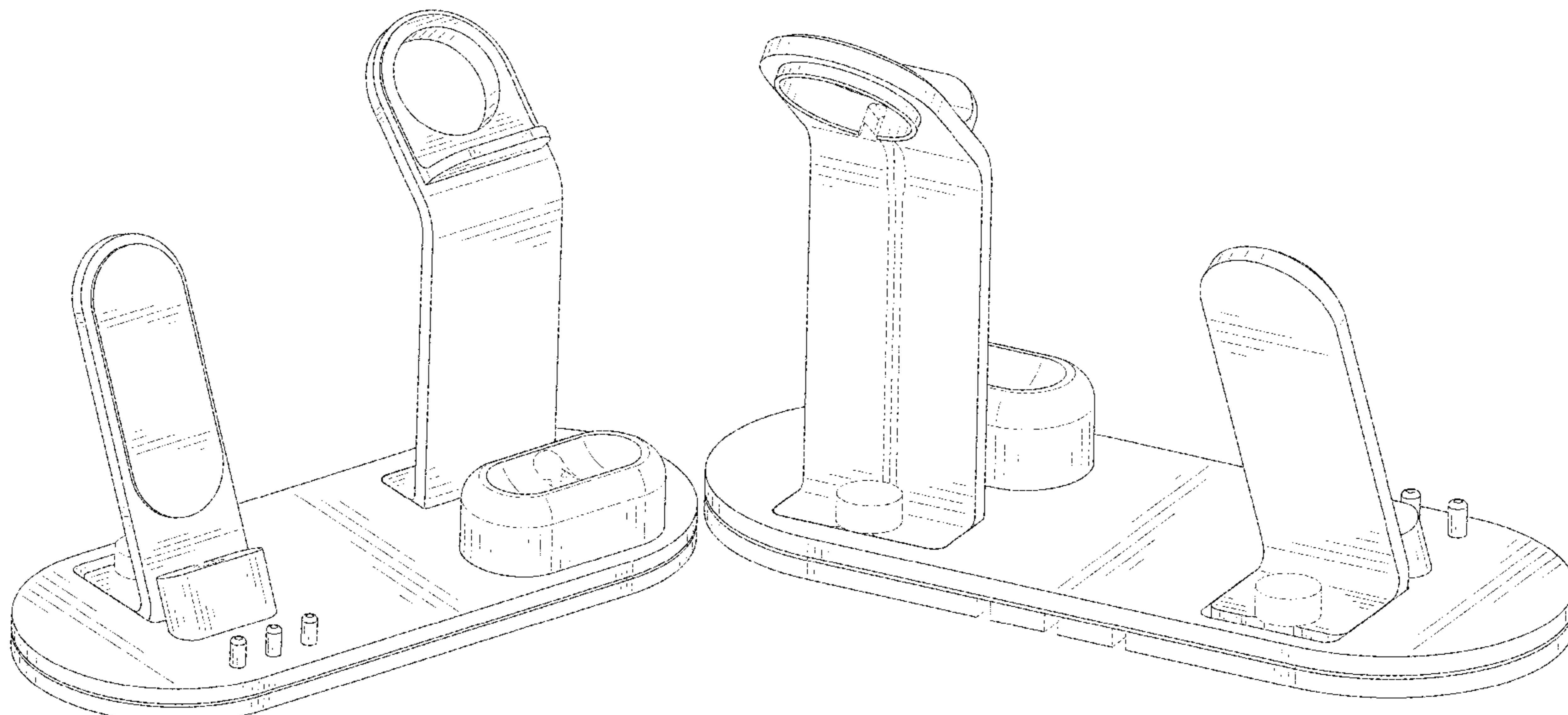
(57) **CLAIM**

The ornamental design for a charging stand, as shown and described.

**DESCRIPTION**

FIG. 1 is a top, front and left side perspective view of a charging stand showing my new design;  
FIG. 2 is a top, rear and left side perspective view thereof;  
FIG. 3 is a bottom, rear and left side perspective view thereof;  
FIG. 4 is a front elevational view thereof;  
FIG. 5 is a rear elevational view thereof;  
FIG. 6 is a left side view thereof;  
FIG. 7 is a right side view thereof;  
FIG. 8 is a top plan view thereof; and,  
FIG. 9 is a bottom plan view thereof.  
The broken lines in the drawings illustrate portions of the charging stand which form no part of the claimed design.

**1 Claim, 9 Drawing Sheets**



(56)

**References Cited**

U.S. PATENT DOCUMENTS

2015/0188352 A1\* 7/2015 Peek ..... H02J 7/0042  
320/108  
2018/0191113 A1\* 7/2018 Byrne ..... H02J 7/00

\* cited by examiner

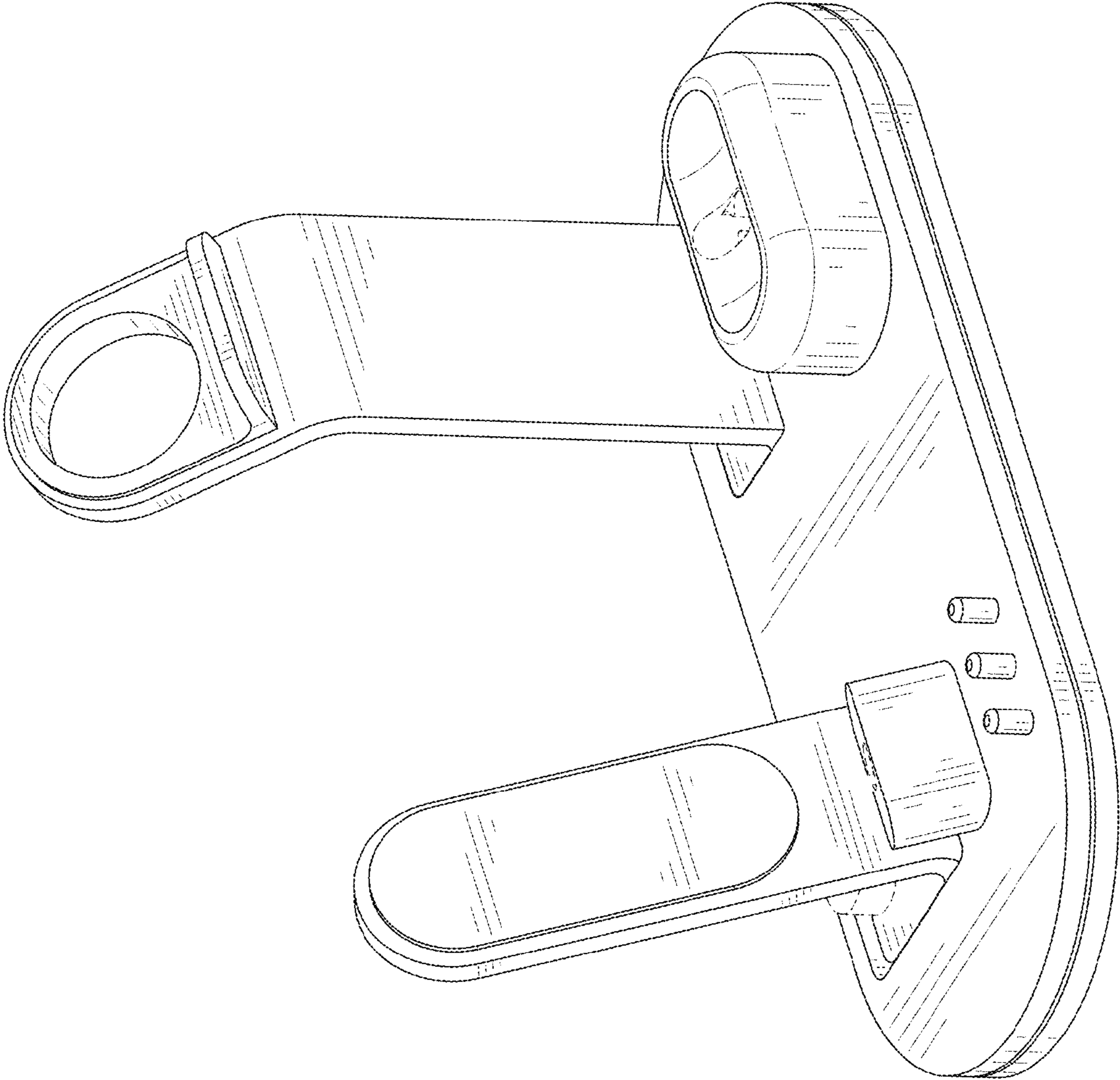


FIG. 1

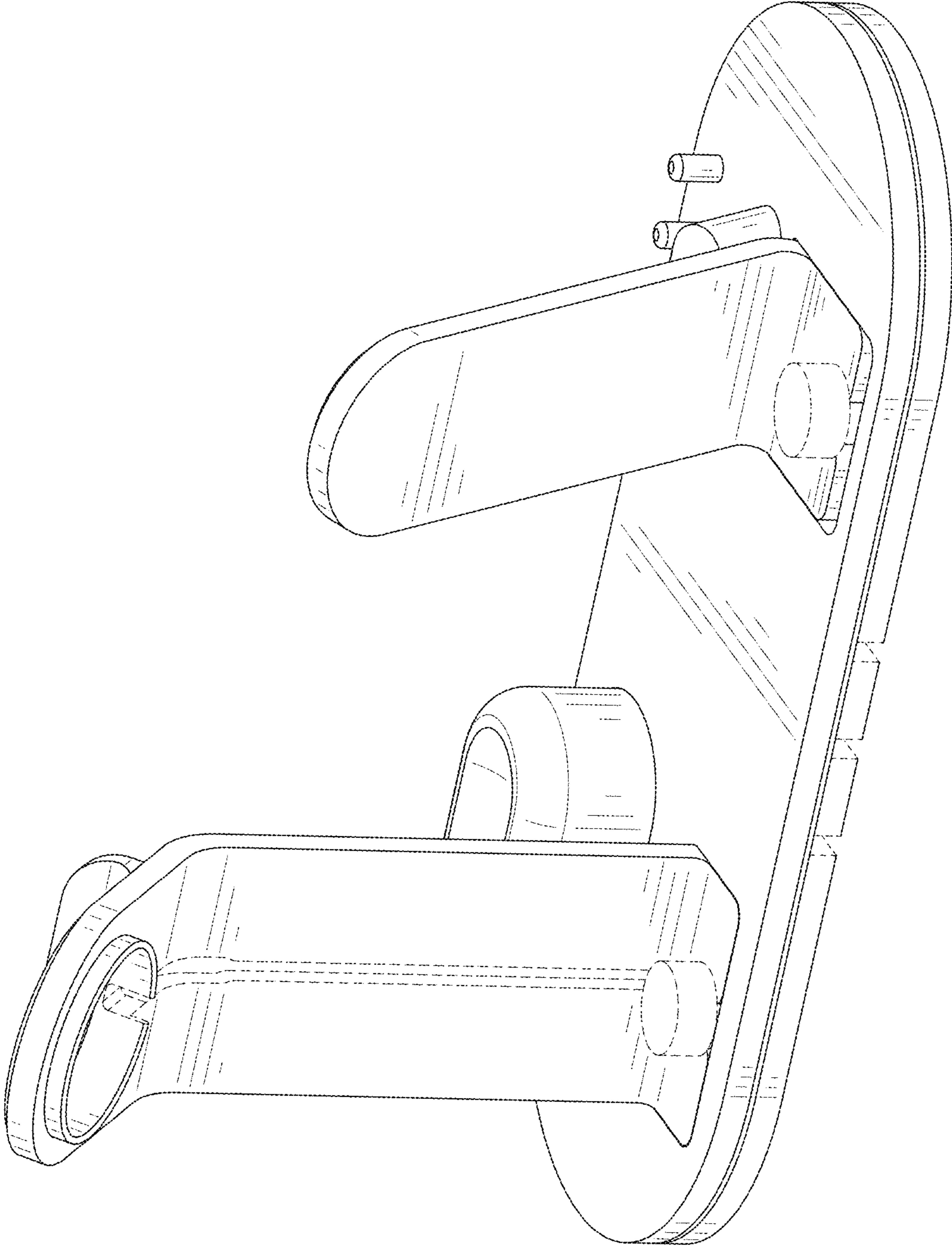


FIG. 2

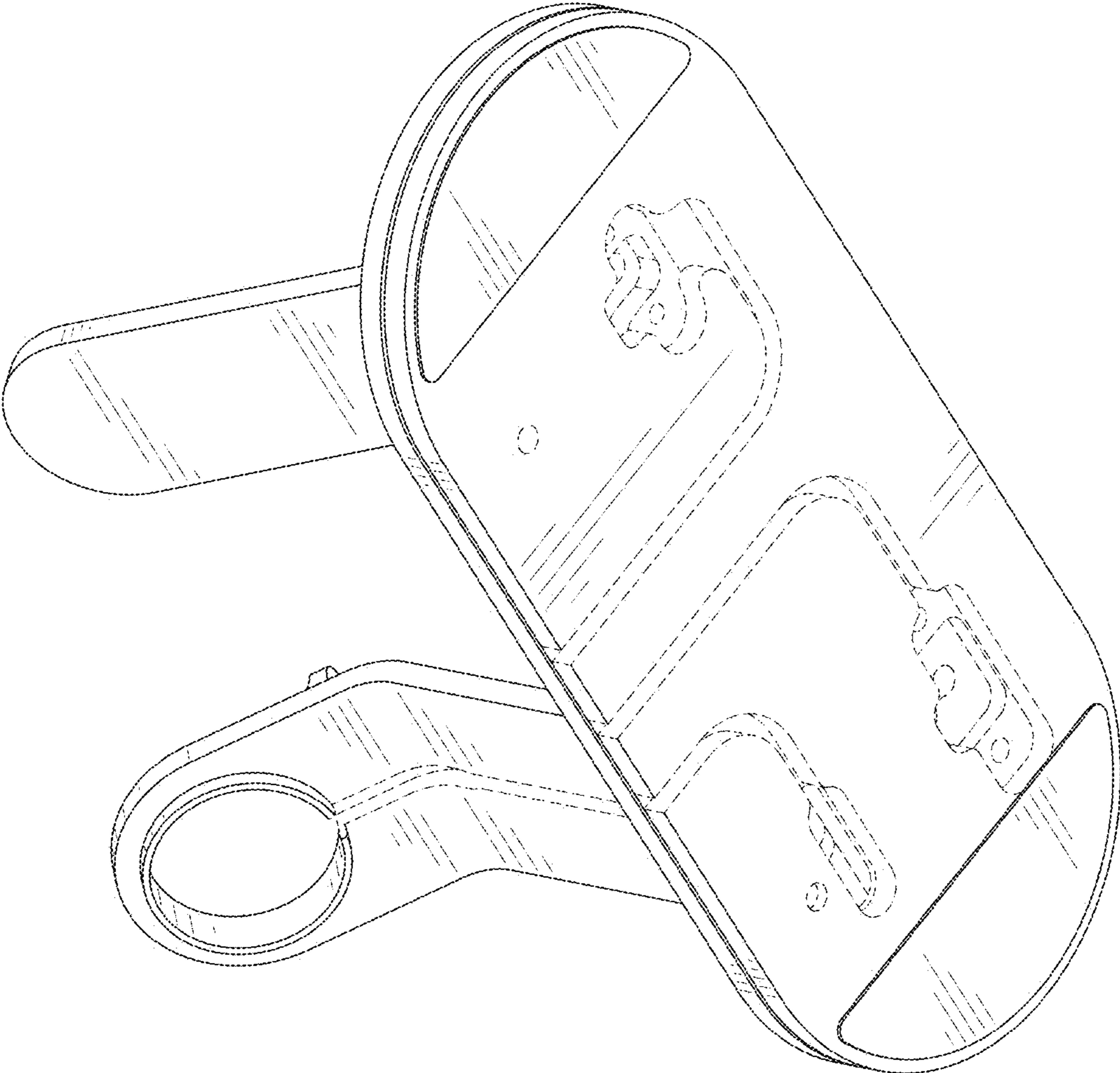


FIG. 3

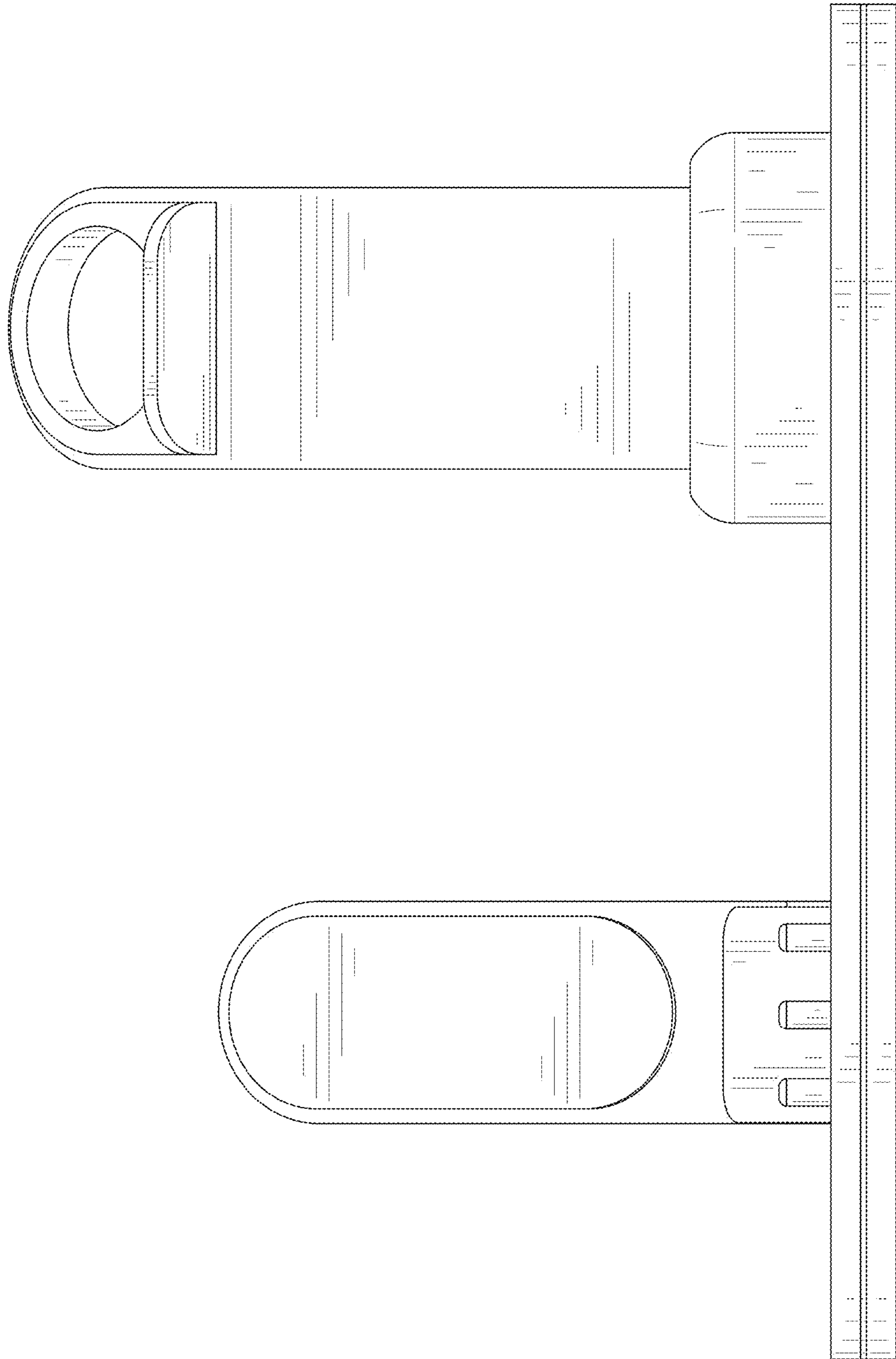


FIG. 4

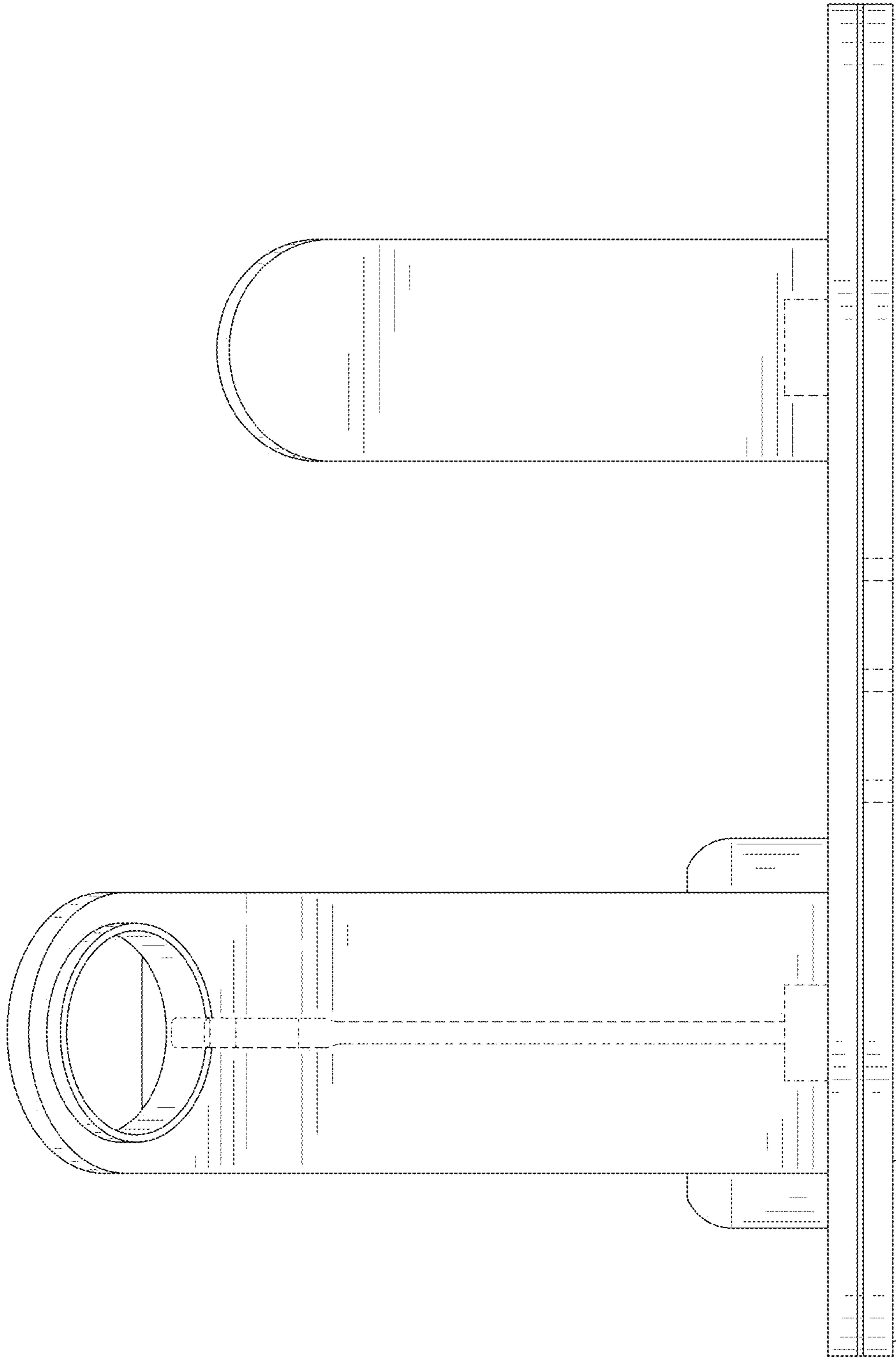


FIG. 5

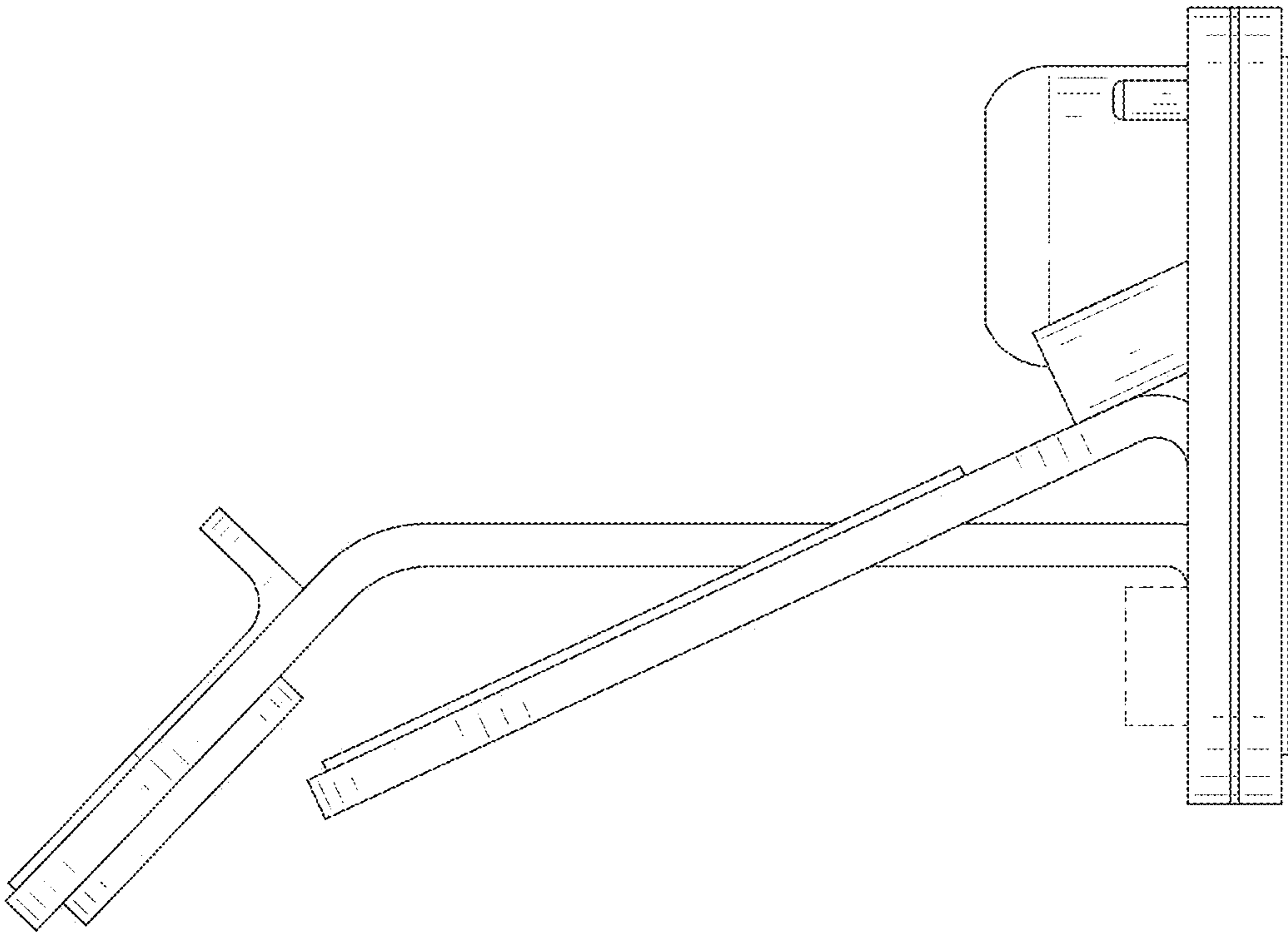


FIG. 6



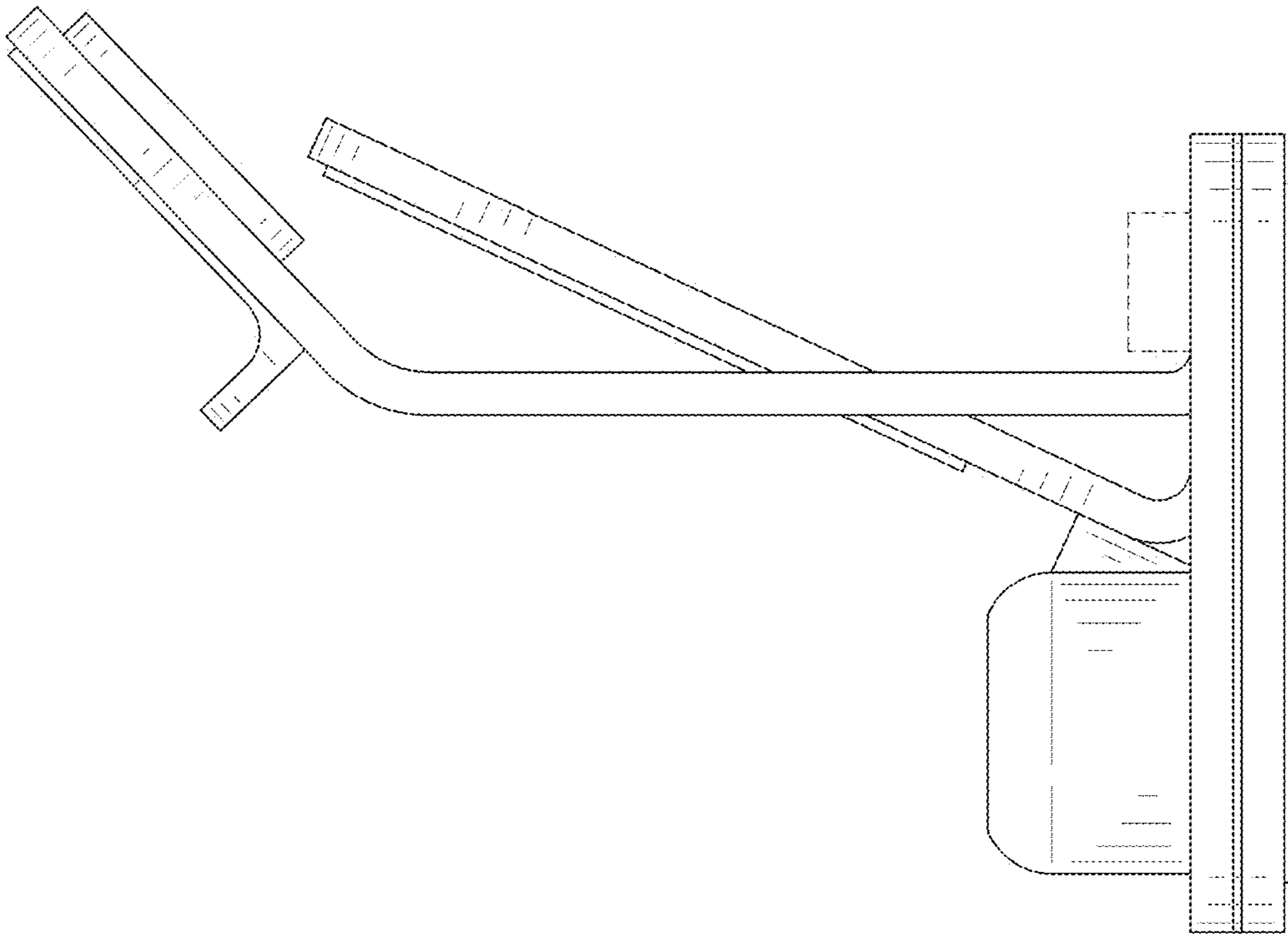


FIG. 7

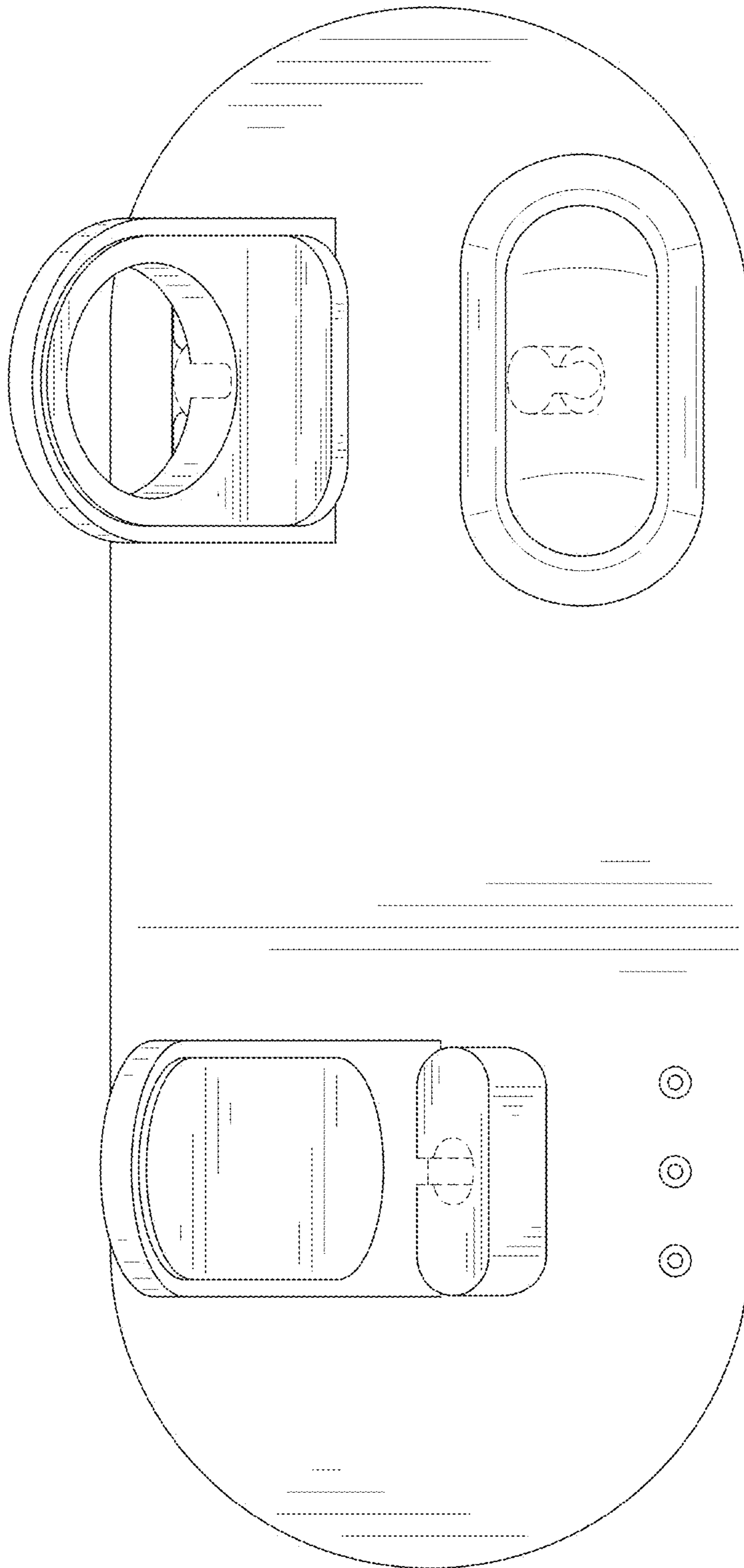


FIG. 8

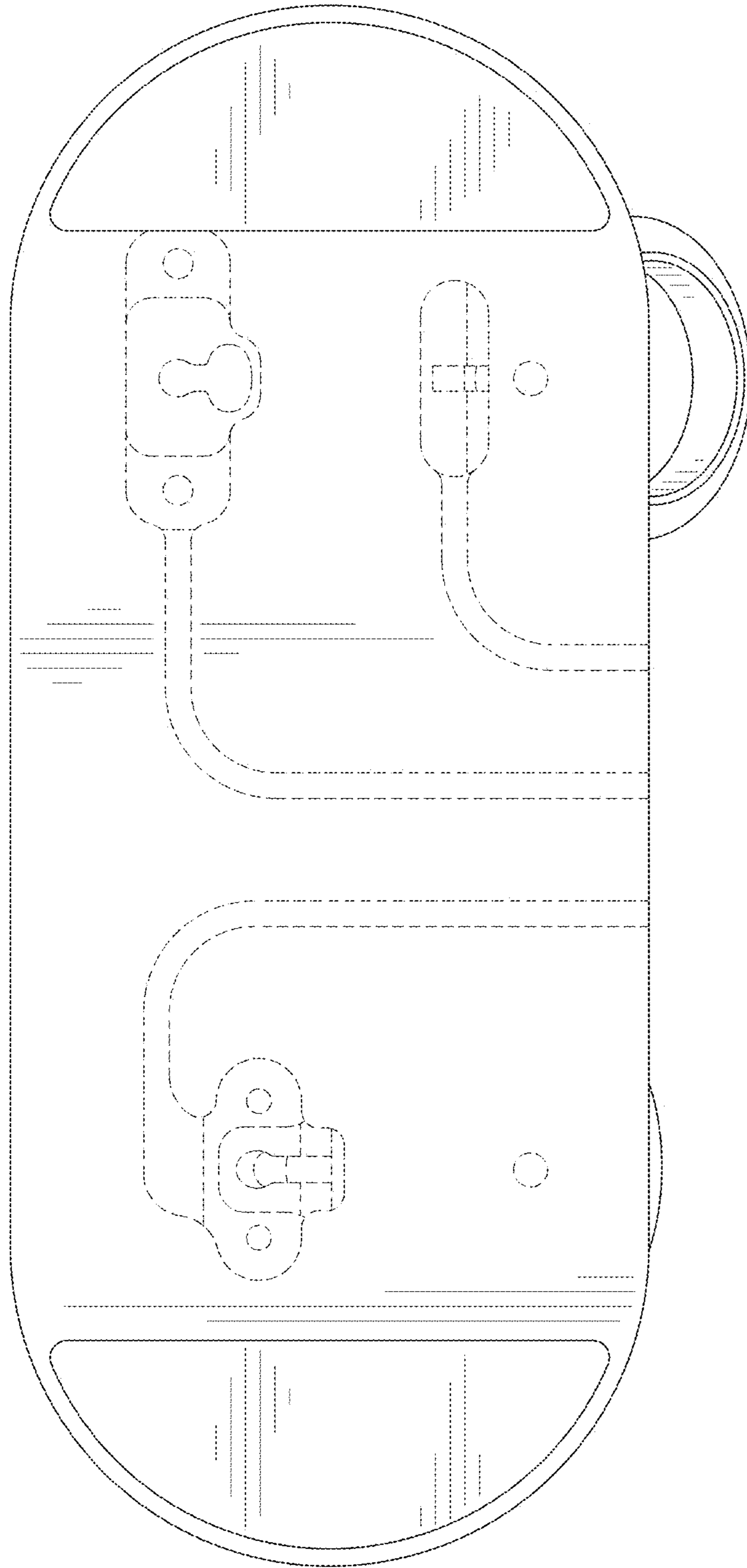


FIG. 9