



US00D877067S

(12) **United States Design Patent** (10) **Patent No.:** **US D877,067 S**  
**Gill** (45) **Date of Patent:** **\*\* Mar. 3, 2020**

(54) **BATTERY CHARGING DEVICE**  
(71) Applicant: **T-Mobile USA, Inc.**, Bellevue, WA (US)  
(72) Inventor: **Dolores Gill**, Bellevue, WA (US)  
(73) Assignee: **T-Mobile USA, Inc.**, Bellevue, WA (US)  
(\*\*) Term: **15 Years**

*Primary Examiner* — Brett Miller  
(74) *Attorney, Agent, or Firm* — Han Santos, PLLC

(21) Appl. No.: **29/641,072**  
(22) Filed: **Mar. 19, 2018**  
(51) **LOC (12) Cl.** ..... **13-02**  
(52) **U.S. Cl.**  
USPC ..... **D13/108**  
(58) **Field of Classification Search**  
USPC ..... D13/107–108, 105, 110, 119, 137.2,  
D13/137.1, 138.1; D14/434, 447, 253,  
D14/224, 217, 238.1, 251, 240, 149, 358,  
D14/348, 356  
CPC ..... H02J 7/0042; H02J 7/044; H02J 7/045;  
H02J 2007/0062; H02J 7/0054; H02J  
7/0055; B60R 11/0241  
See application file for complete search history.

(57) **CLAIM**  
The ornamental design for a battery charging device, as shown and described.

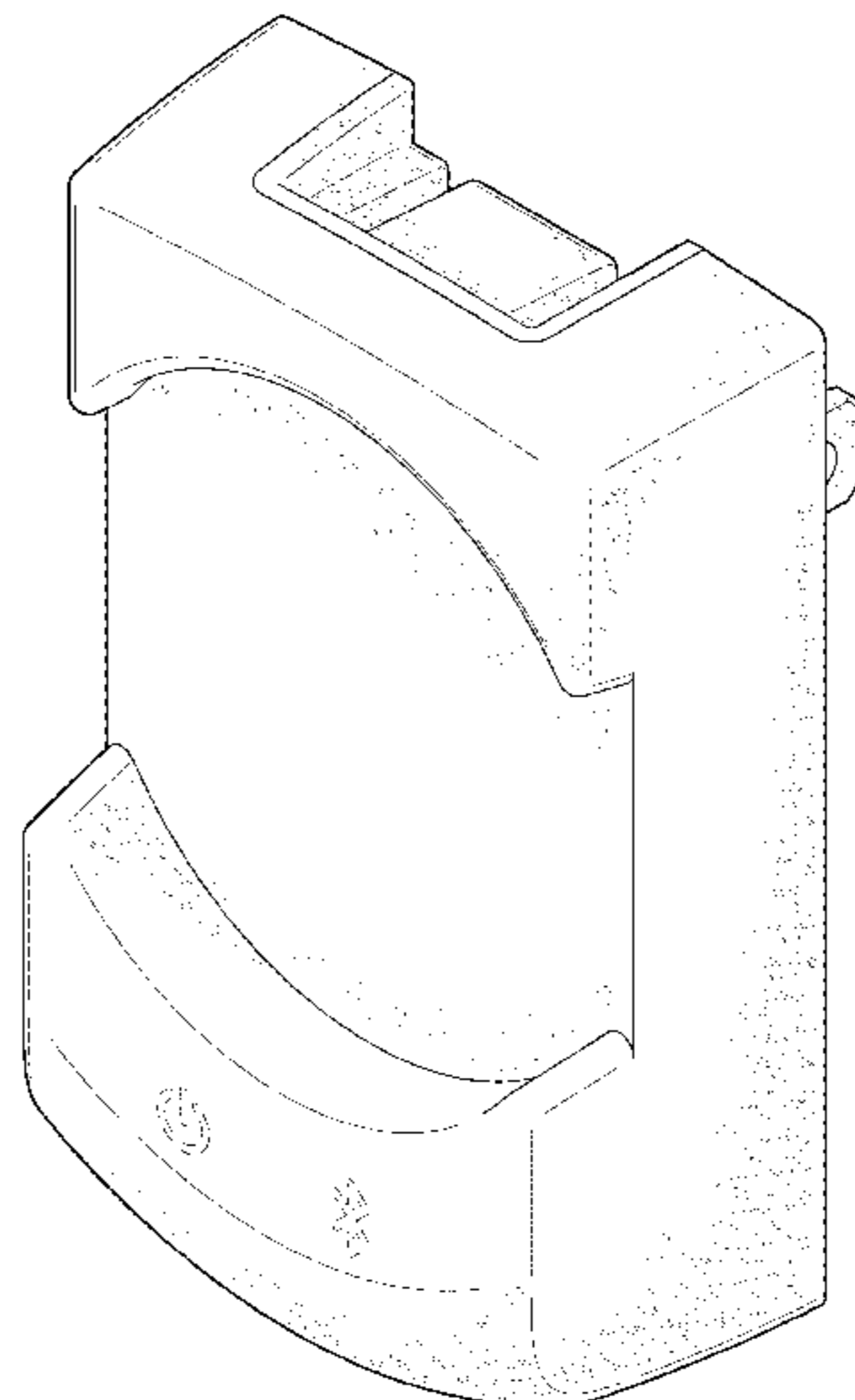
**DESCRIPTION**

FIG. 1 is a perspective view of battery charging device taken from the top, right, and front;  
FIG. 2 is another perspective view of the battery charging device taken from the bottom, right, and back;  
FIG. 3 is another perspective view of the battery charging device taken from the top, right, and front, and showing the battery charging device as it appears with the electrical contact prongs of the battery charging device folded into the body of the device;  
FIG. 4 is another perspective view of the battery charging device taken from the bottom, right, and back, and showing the battery charging device as it appears with the electrical contact prongs of the battery charging device folded into the body of the device;  
FIG. 5 is a front elevation view of the battery charging device of FIG. 1;  
FIG. 6 is a back elevation view of the battery charging device of FIG. 1;  
FIG. 7 is a right side elevation view of the battery charging device of FIG. 1;  
FIG. 8 is a left side elevation view of the battery charging device of FIG. 1;  
FIG. 9 is a top plan view of the battery charging device of FIG. 1; and,  
FIG. 10 is a bottom plan view of the battery charging device of FIG. 1.  
The broken lines shown in the drawings illustrate portions of the battery charging device that form no part of the claimed design.

(56) **References Cited**  
U.S. PATENT DOCUMENTS  
D306,594 S \* 3/1990 Taylor ..... D14/251  
D408,418 S \* 4/1999 Pescetto ..... D14/253  
D411,823 S \* 7/1999 Jacobs ..... D13/107  
6,091,224 A \* 7/2000 Morita ..... H02J 7/0042  
320/113  
D434,142 S \* 11/2000 Cheney, II ..... D13/108  
D471,907 S \* 3/2003 Peiker ..... D14/253  
D532,370 S \* 11/2006 Shimizu ..... D13/108  
D605,645 S \* 12/2009 Kettula ..... D14/253  
D623,131 S \* 9/2010 Kawakami ..... D13/107  
D632,647 S \* 2/2011 Fitch ..... D13/107  
D638,355 S \* 5/2011 Chen ..... D13/110  
D638,356 S \* 5/2011 Chen ..... D13/110

(Continued)

**1 Claim, 9 Drawing Sheets**



(56)

**References Cited**

U.S. PATENT DOCUMENTS

D676,387 S *	2/2013	Kennedy .....	D13/137.2
D683,310 S *	5/2013	McSweyn .....	D13/108
D687,771 S *	8/2013	Rabalais .....	D13/107
D694,178 S *	11/2013	Bennett .....	D13/107
D735,128 S *	7/2015	Rabalais .....	D13/107
2012/0249071 A1 *	10/2012	Yang .....	H02J 7/0055 320/110

\* cited by examiner

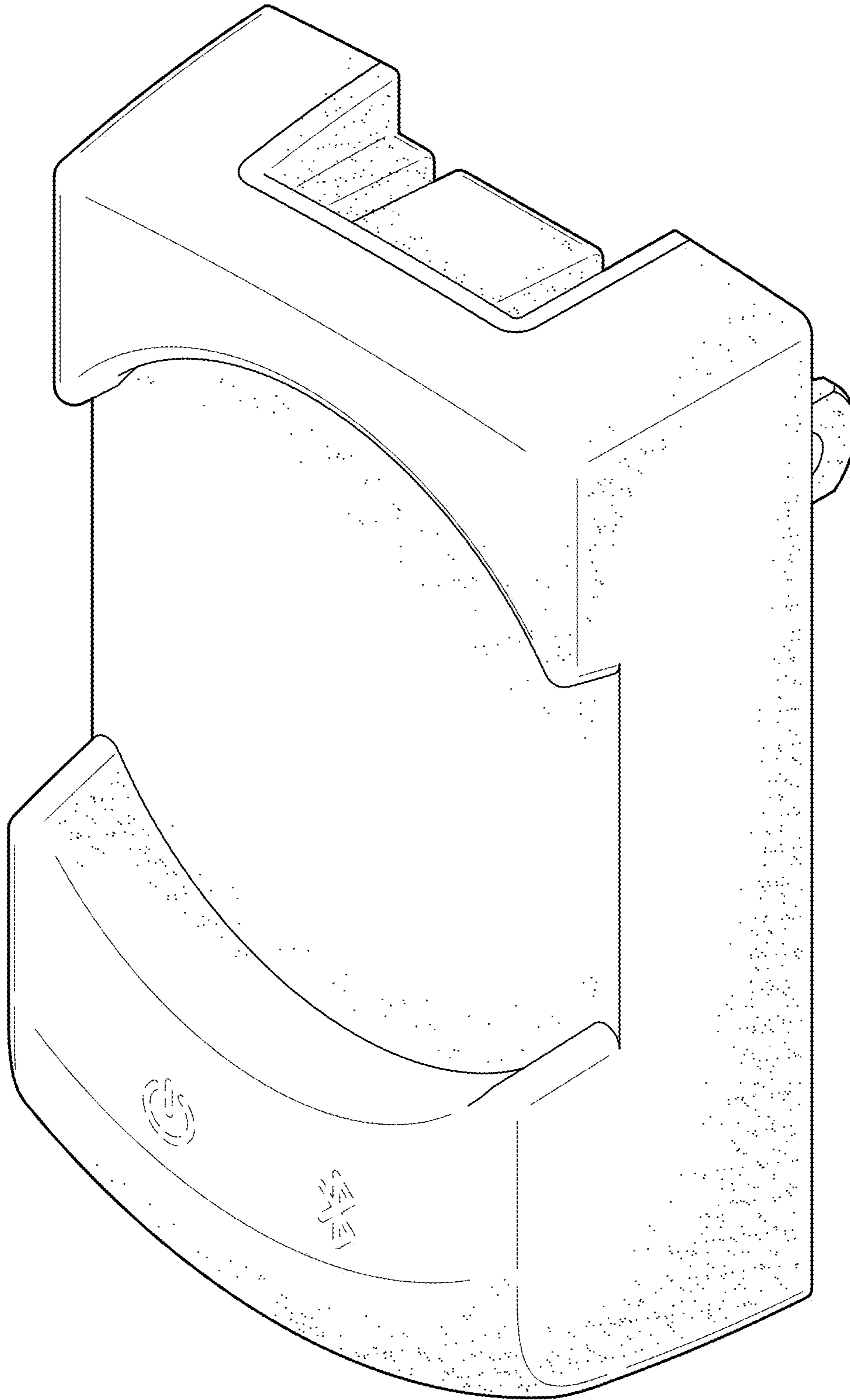


FIG. 1

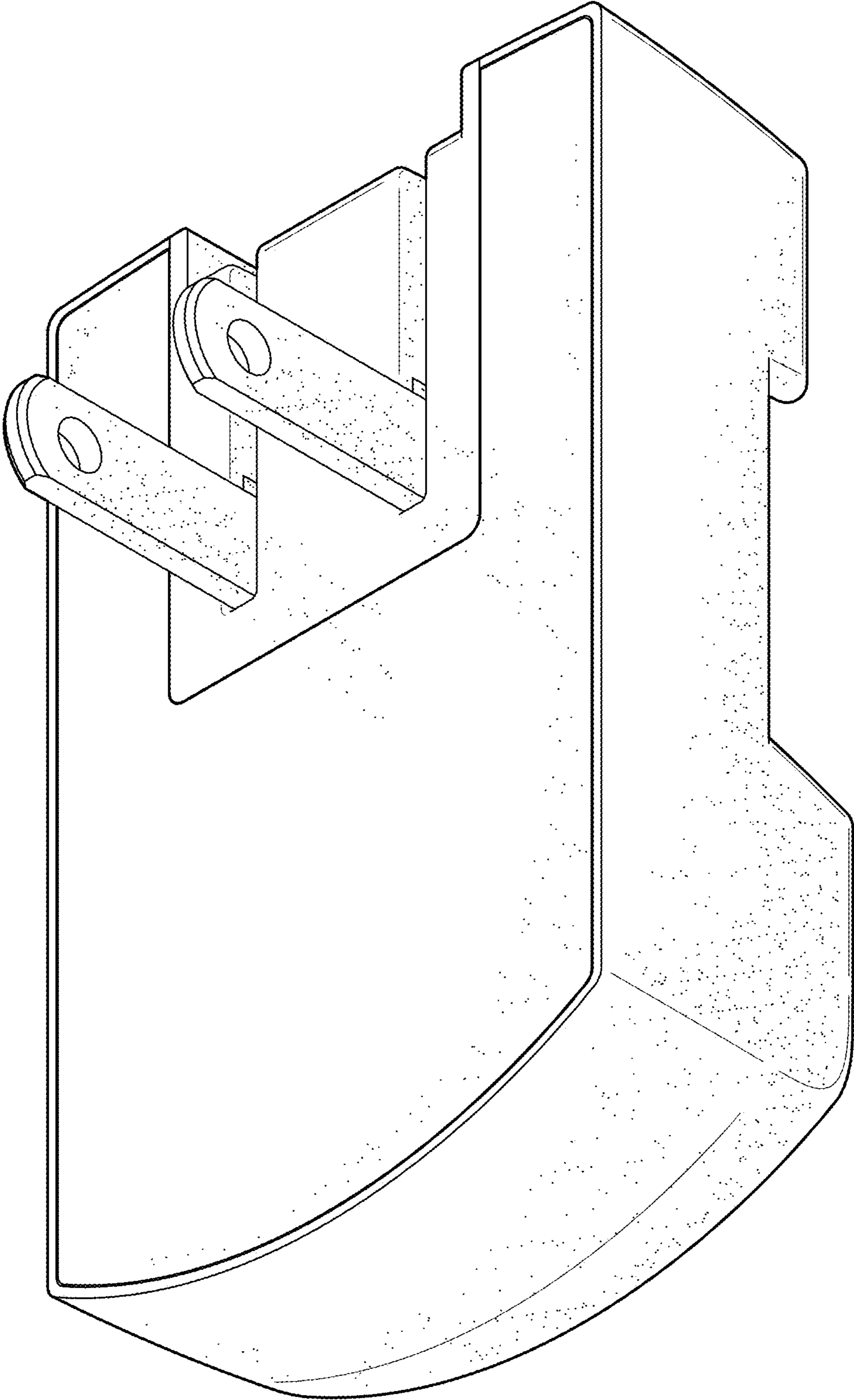


FIG. 2

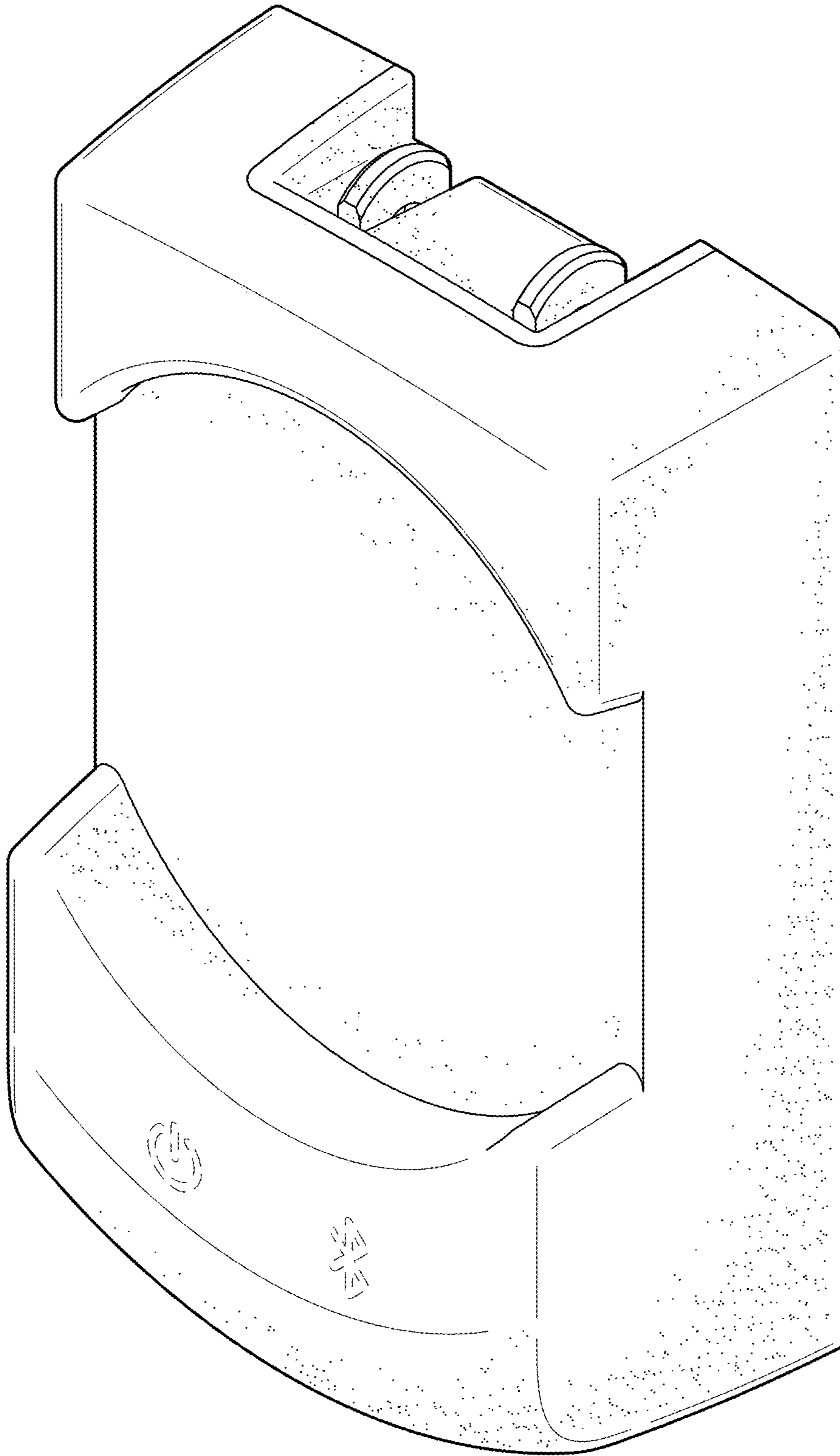


FIG. 3

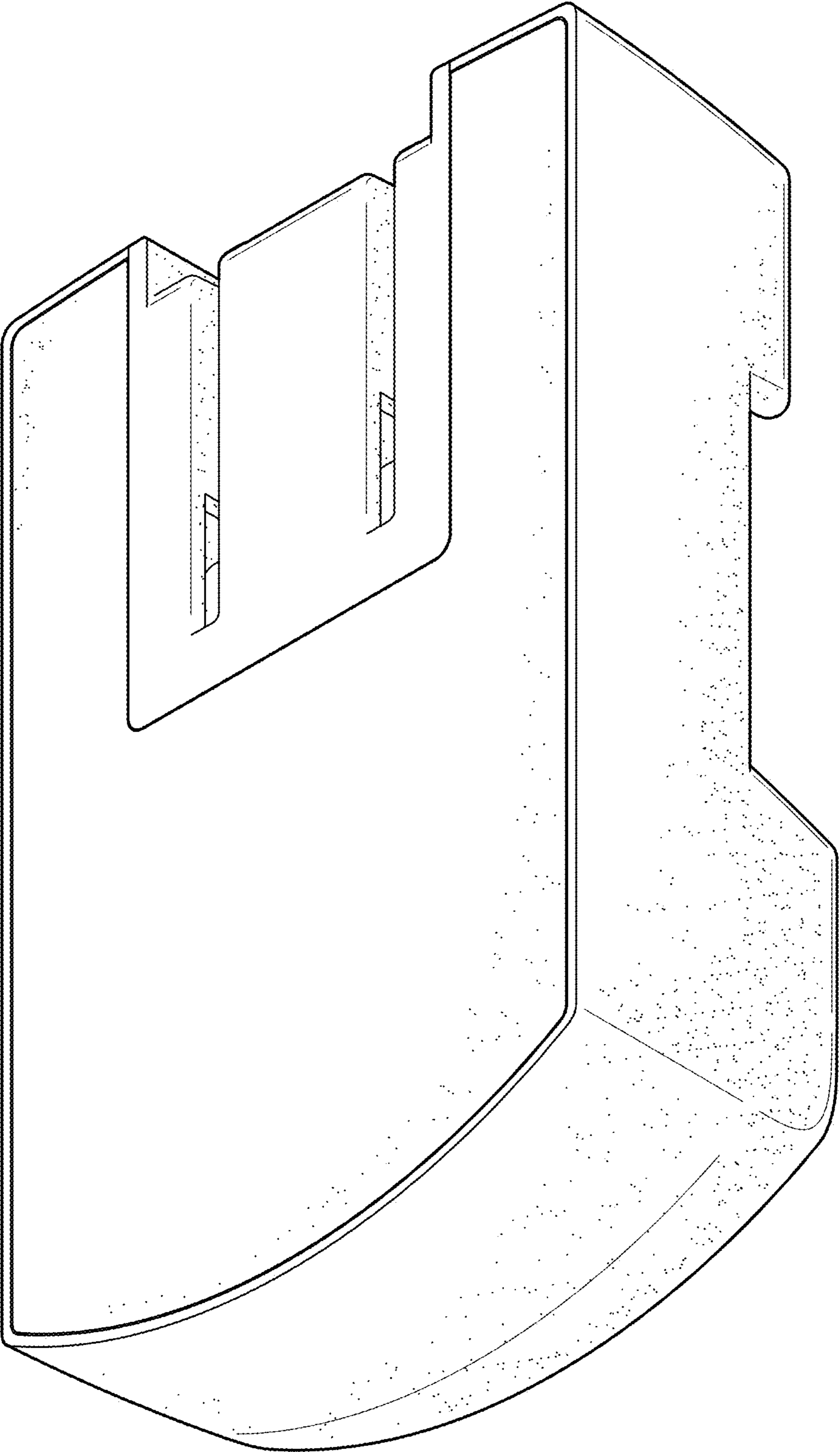


FIG. 4

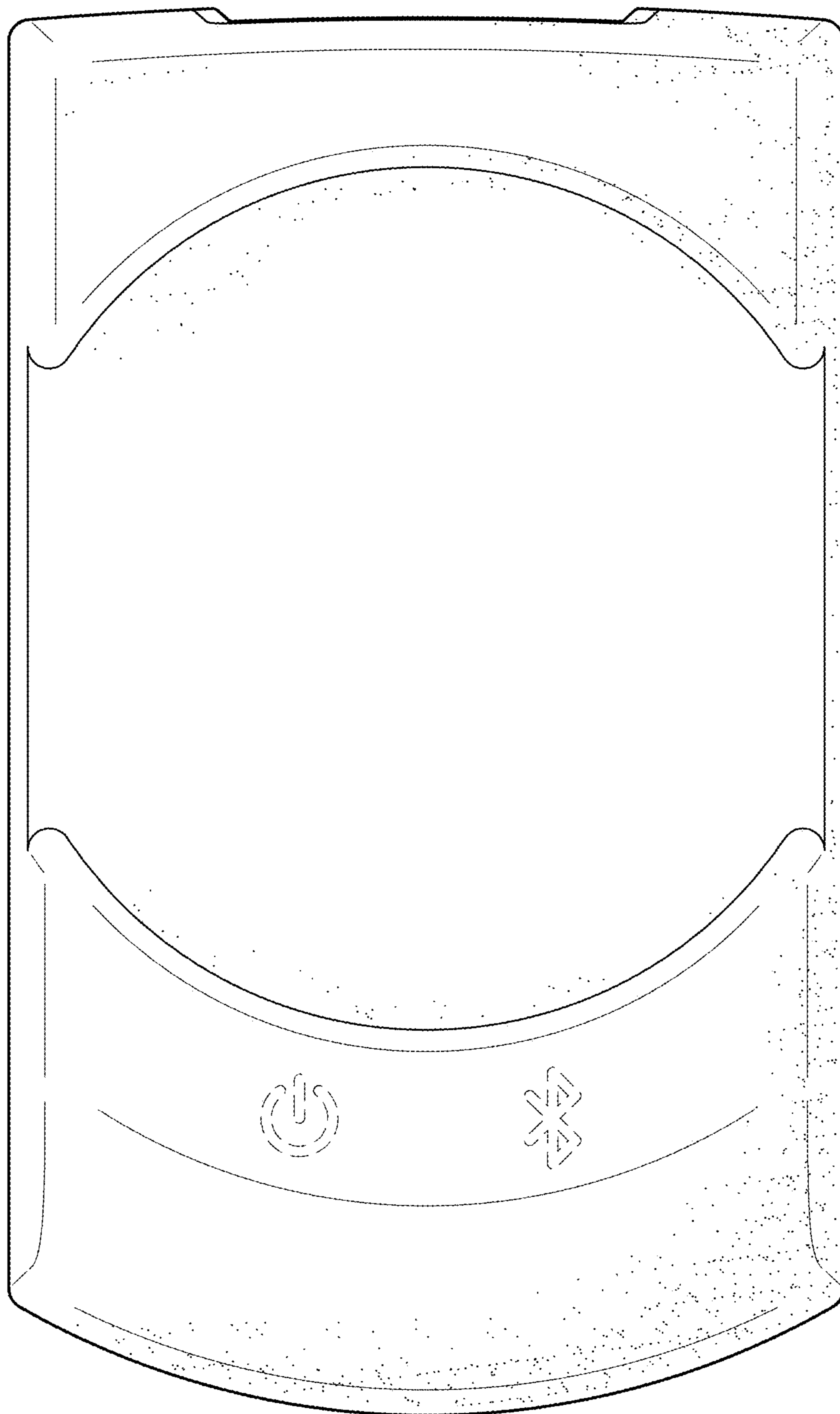


FIG. 5

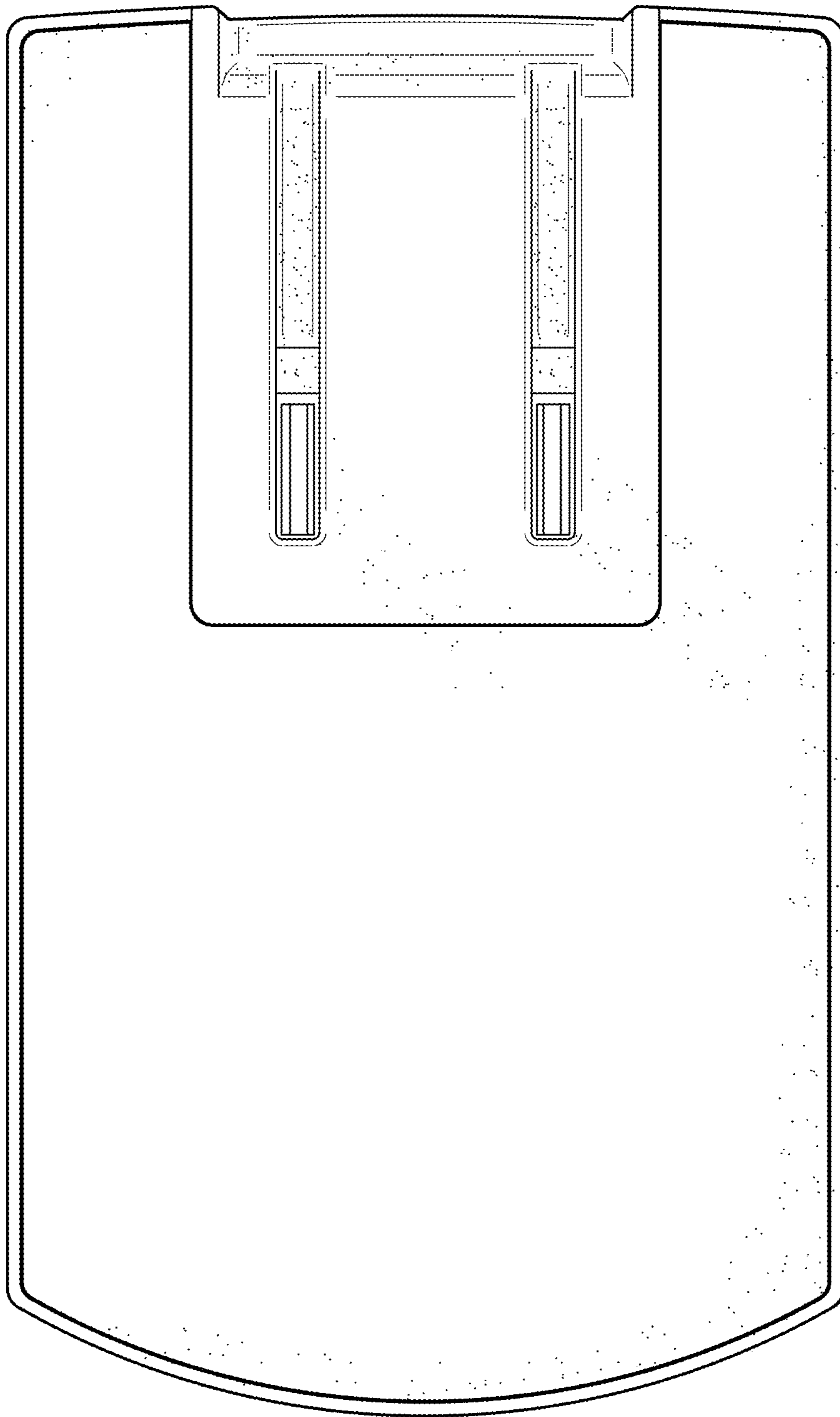


FIG. 6



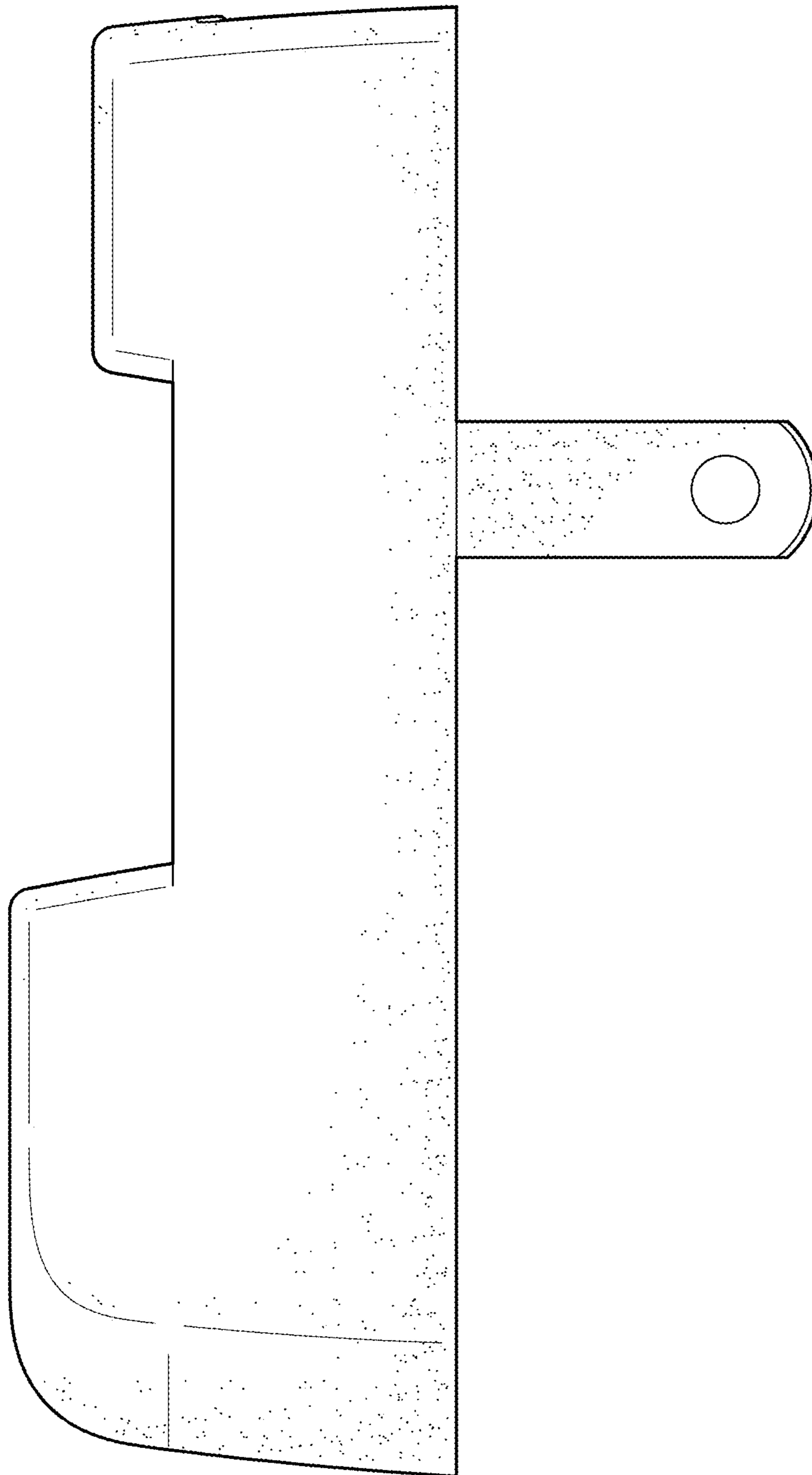


FIG. 7

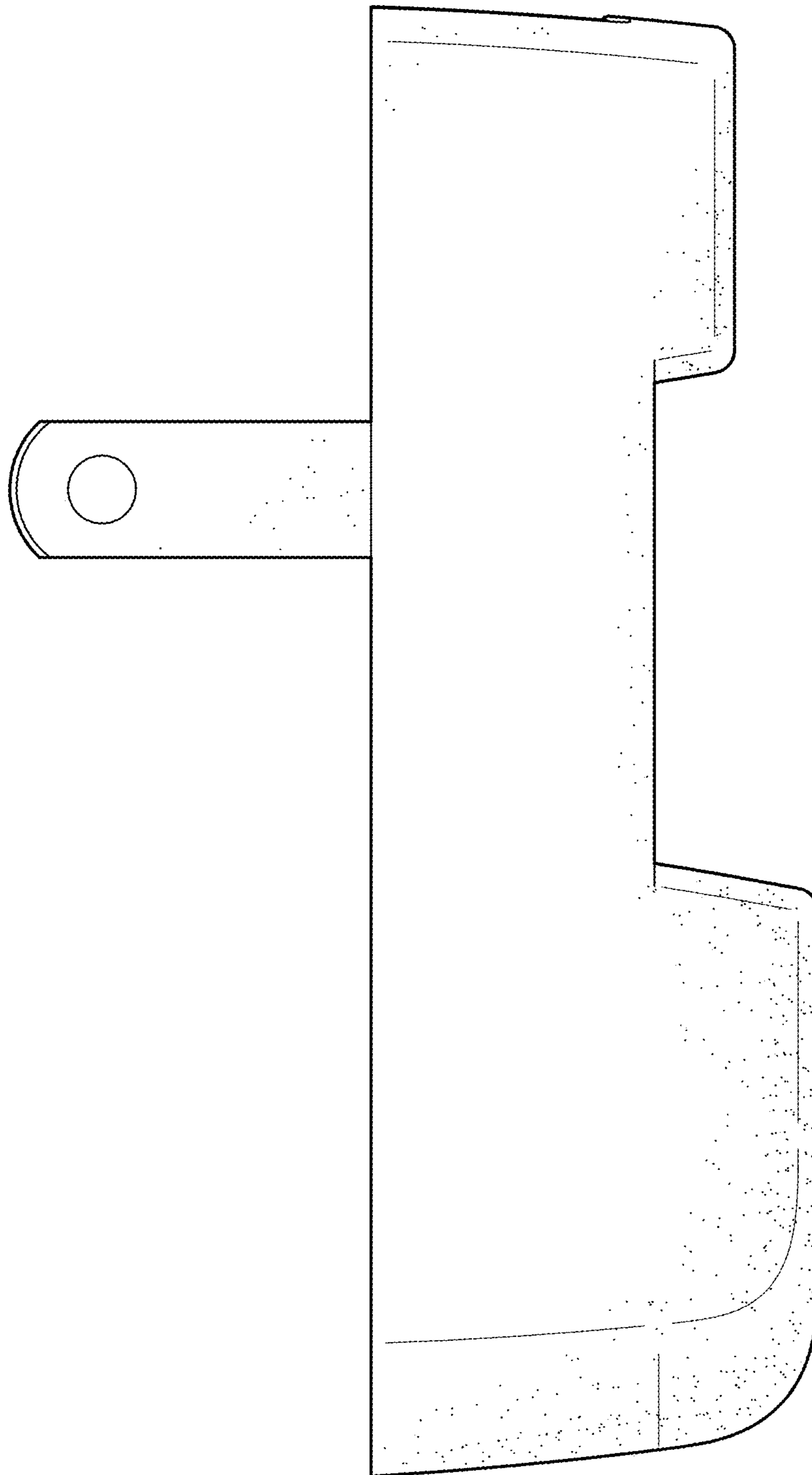


FIG. 8

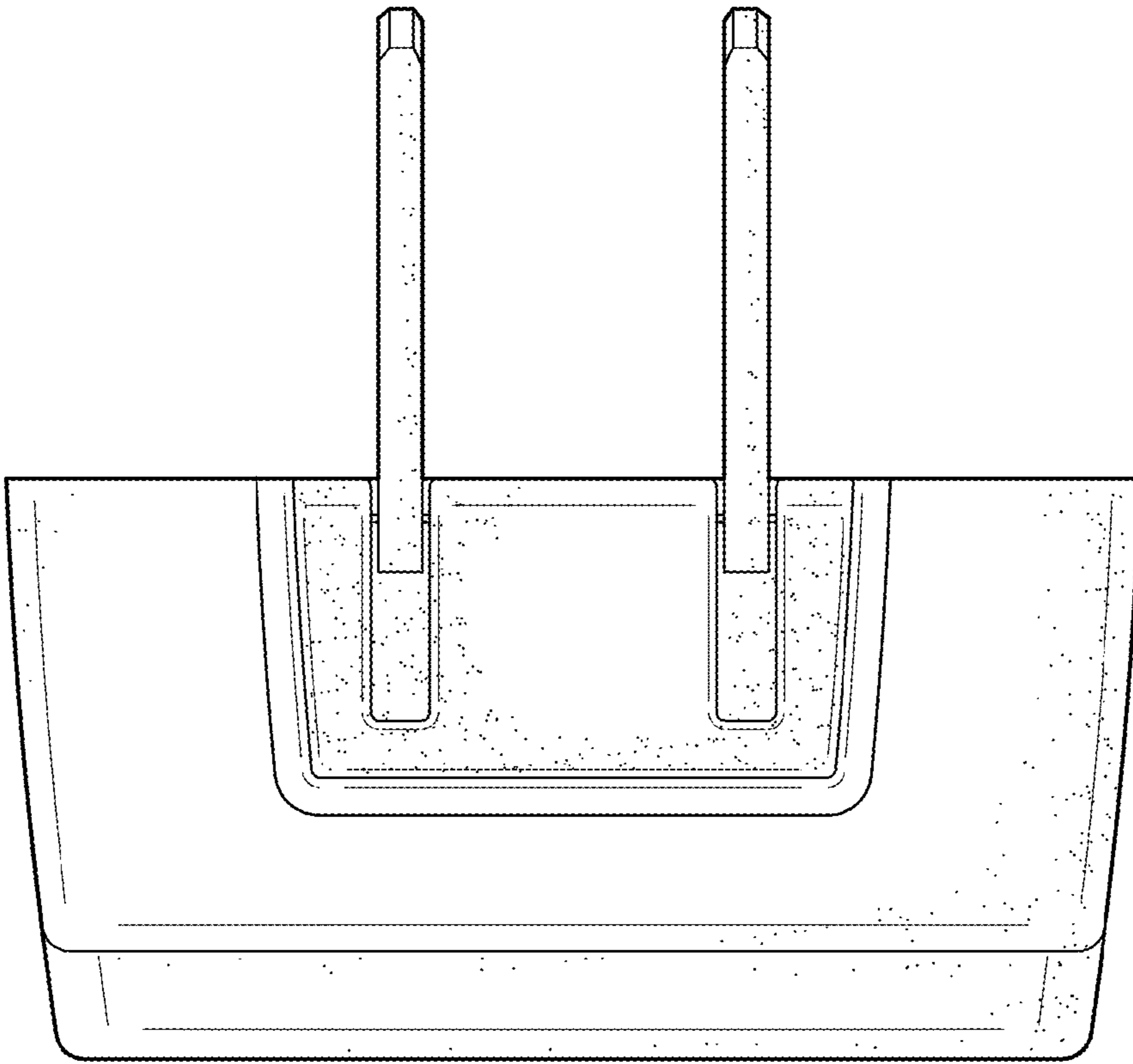


FIG. 9

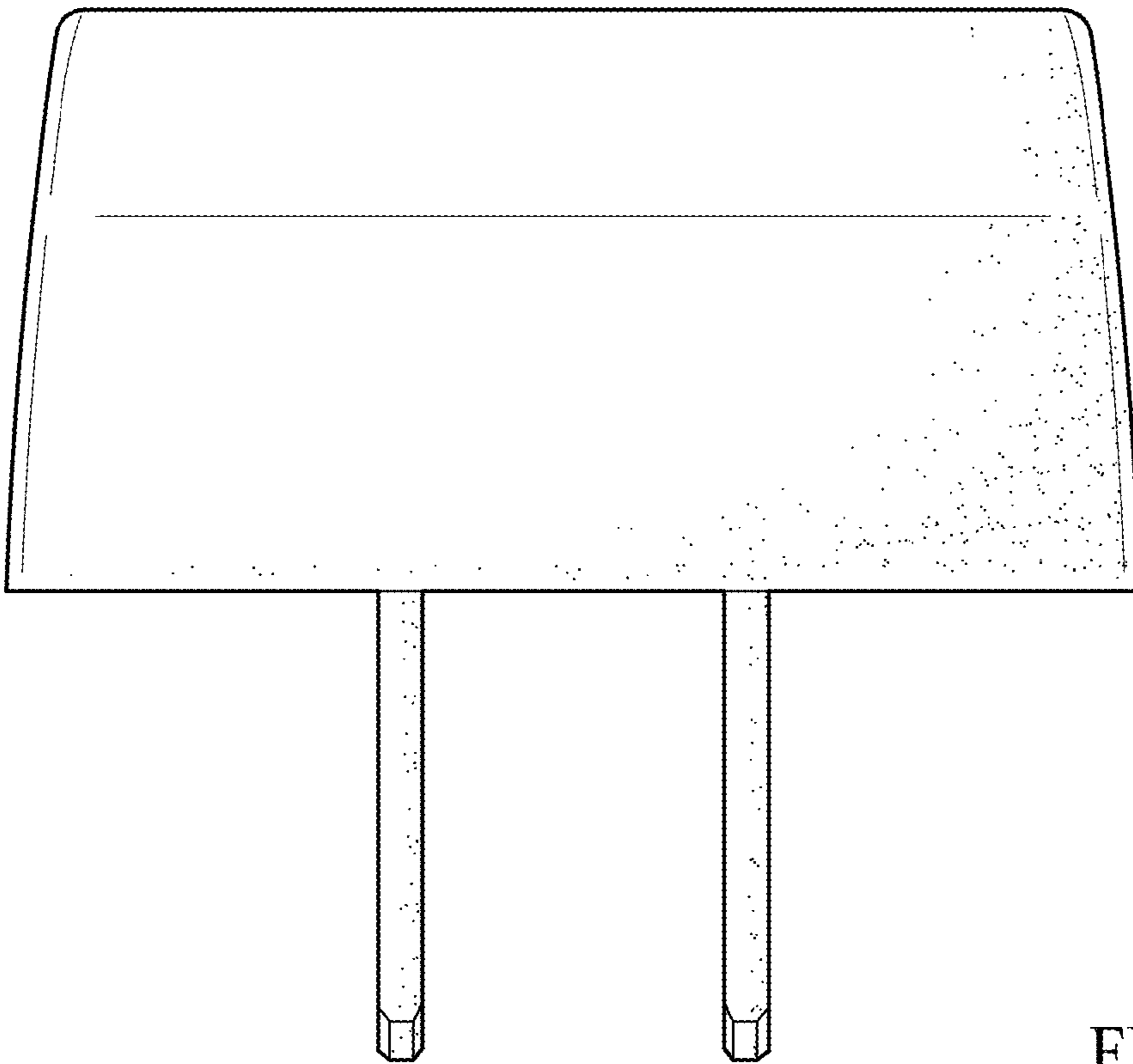


FIG. 10