



US00D877066S

(12) **United States Design Patent**
Zhang

(10) **Patent No.:** **US D877,066 S**
(45) **Date of Patent:** **** Mar. 3, 2020**

(54) **WIRELESS CHARGER**

(71) Applicant: **SHENZHEN BWAY TECH CO., LTD.**, Baoan Area, Shenzhen, Guangdong (CN)

(72) Inventor: **Xiu Zhu Zhang**, Shenzhen (CN)

(73) Assignee: **SHENZHEN BWAY TECH CO., LTD.**, Shenzhen, Guangdong (CN)

(**) Term: **15 Years**

(21) Appl. No.: **29/635,670**

(22) Filed: **Feb. 1, 2018**

(51) **LOC (12) Cl.** **13-02**

(52) **U.S. Cl.**
USPC **D13/108; D14/253; D12/415**

(58) **Field of Classification Search**
USPC D13/107-108, 105, 110, 119, 137.2;
D14/434, 447, 253, 224, 217, 238.1, 251,
D14/240, 149, 358, 348, 356; D12/415
CPC H02J 7/0042; H02J 7/044; H02J 7/045;
H02J 2007/0062; H02J 7/0054; H02J
7/0055; B60R 11/0241
See application file for complete search history.

(56) **References Cited**

U.S. PATENT DOCUMENTS

D361,334 S * 8/1995 Chan D14/251
D456,024 S * 4/2002 Richter D14/434
D705,211 S * 5/2014 Huang D14/253
D750,612 S * 3/2016 Chen D14/253
D784,923 S * 4/2017 Song D13/108

D792,415 S * 7/2017 Tsai D14/447
D832,248 S * 10/2018 Sukphist D14/253
D833,369 S * 11/2018 Lan D12/415
2002/0190176 A1 * 12/2002 Louh B60R 11/0241
248/316.4
2014/0353447 A1 * 12/2014 Chuang H04M 1/04
248/274.1

FOREIGN PATENT DOCUMENTS

CN 304541638 * 3/2018

* cited by examiner

Primary Examiner — Brett Miller

(74) *Attorney, Agent, or Firm* — Juan Carlos A. Marquez;
Maruez IP Law Office, PLLC

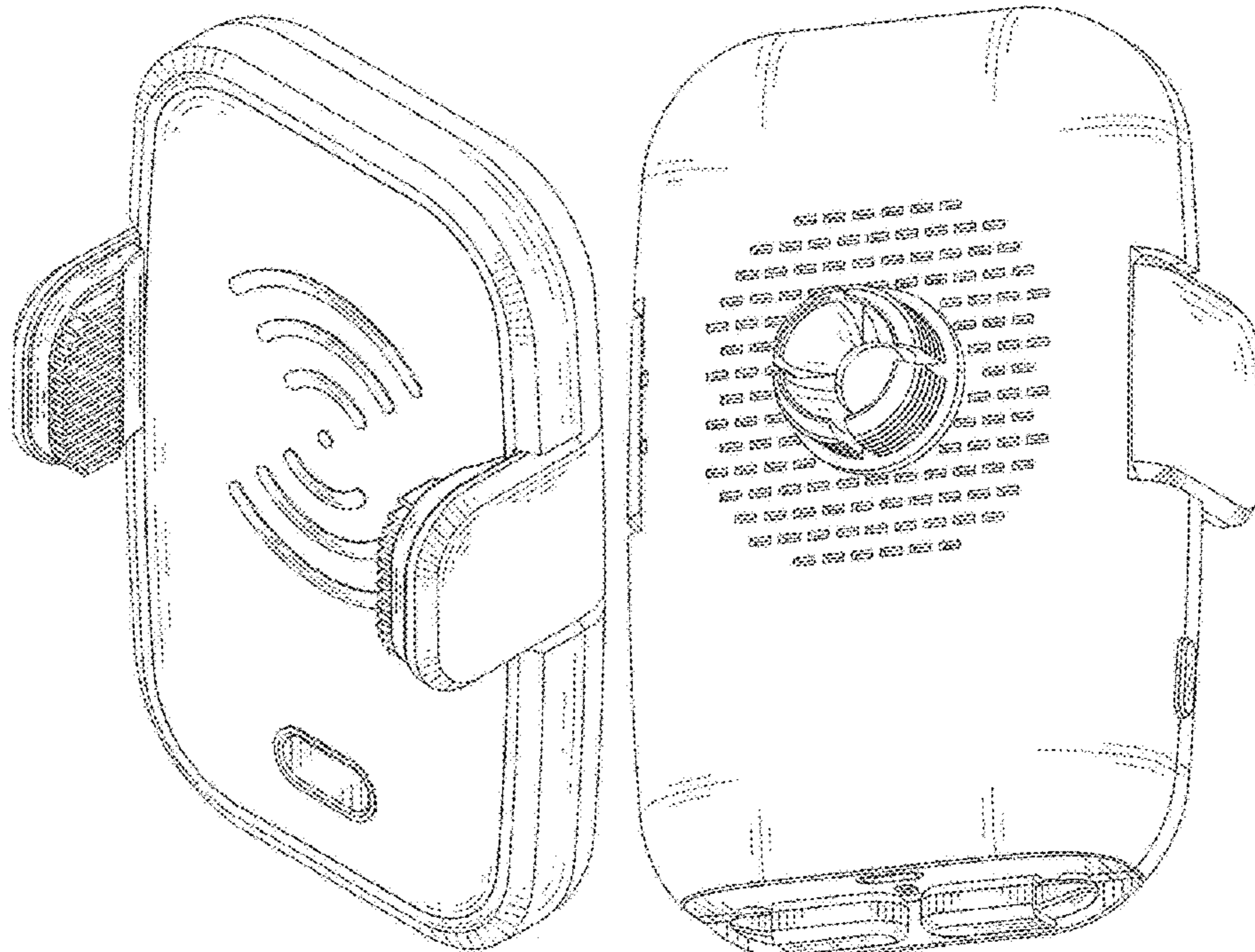
(57) **CLAIM**

The ornamental design for a wireless charger, as shown and described.

DESCRIPTION

FIG. 1 is a perspective view of a wireless charger, showing the new design;
FIG. 2 is another perspective view thereof;
FIG. 3 is a front elevation view thereof;
FIG. 4 is a rear elevation view thereof;
FIG. 5 is a right-side elevation view thereof;
FIG. 6 is a left-side elevation view thereof;
FIG. 7 is a top elevation view thereof; and,
FIG. 8 is a bottom elevation view thereof.

1 Claim, 7 Drawing Sheets



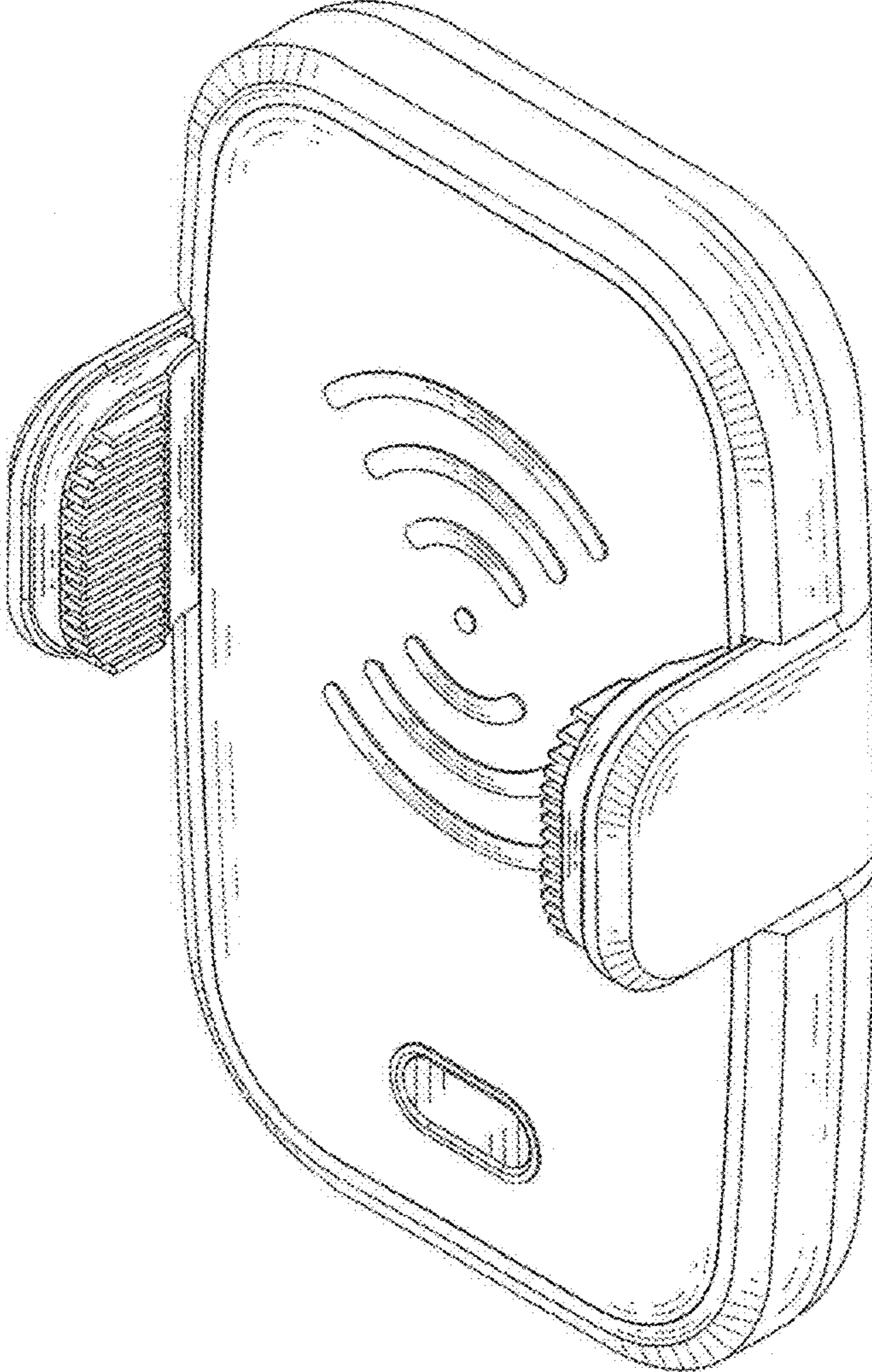


FIG. 1

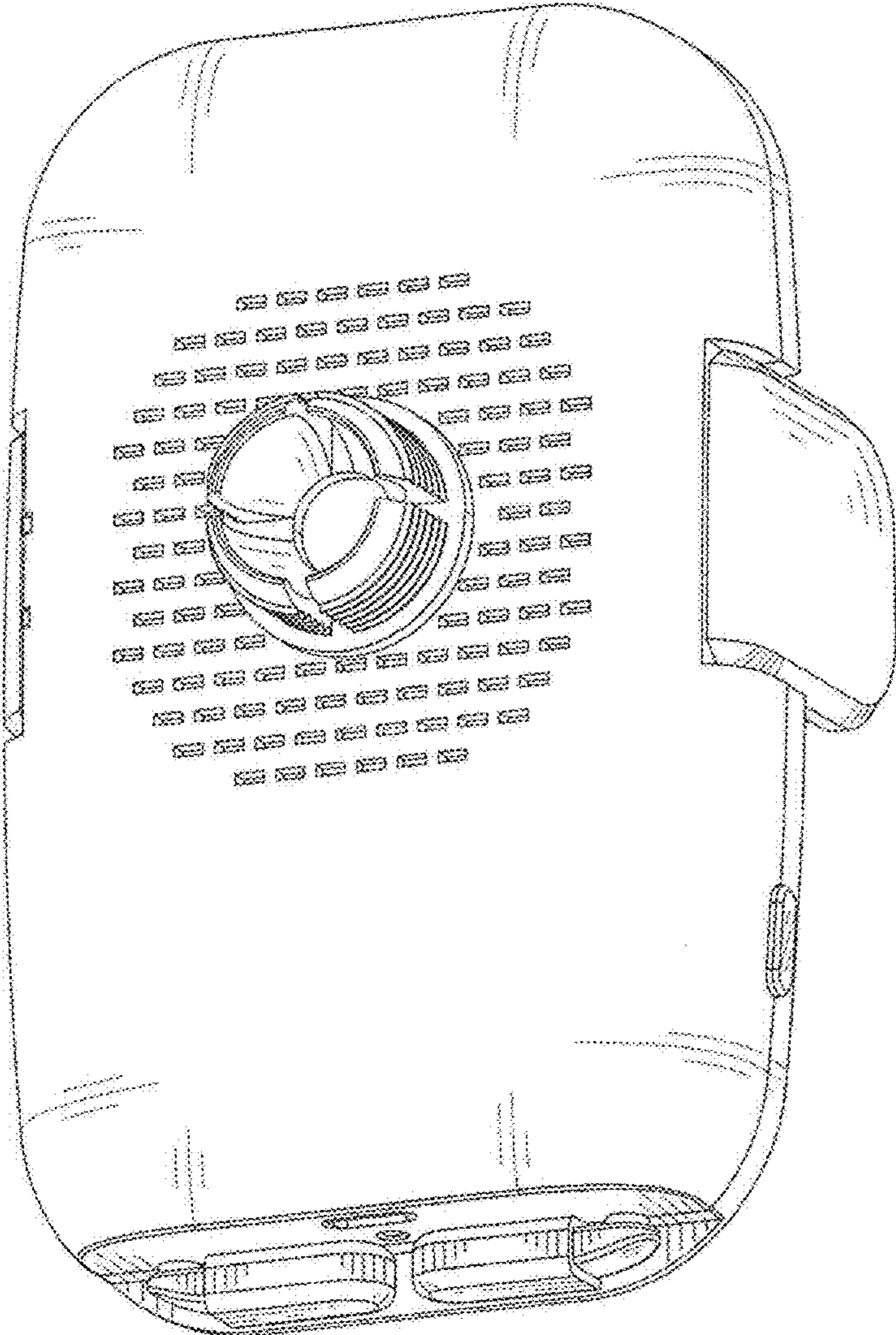


FIG. 2

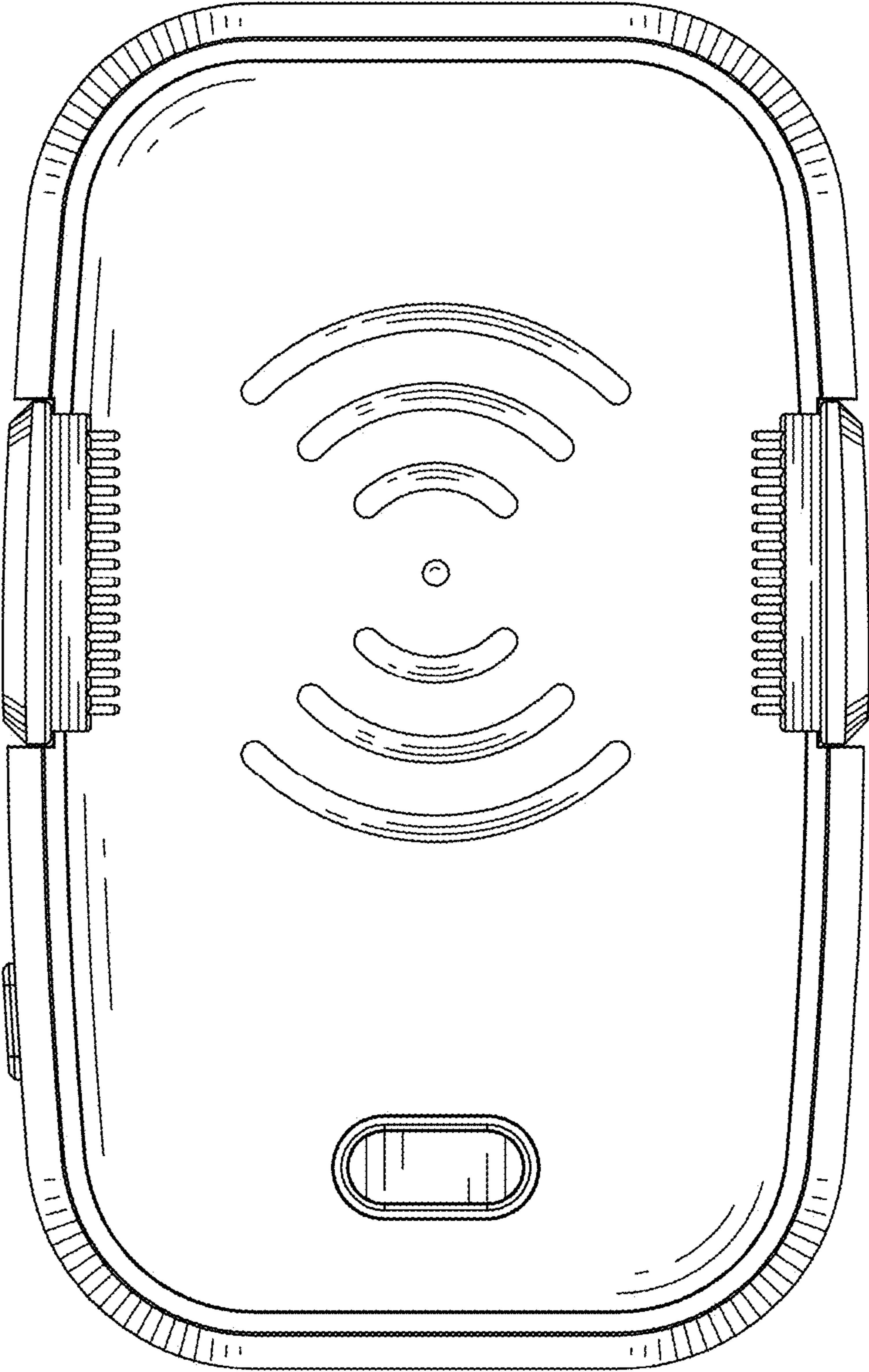


FIG. 3

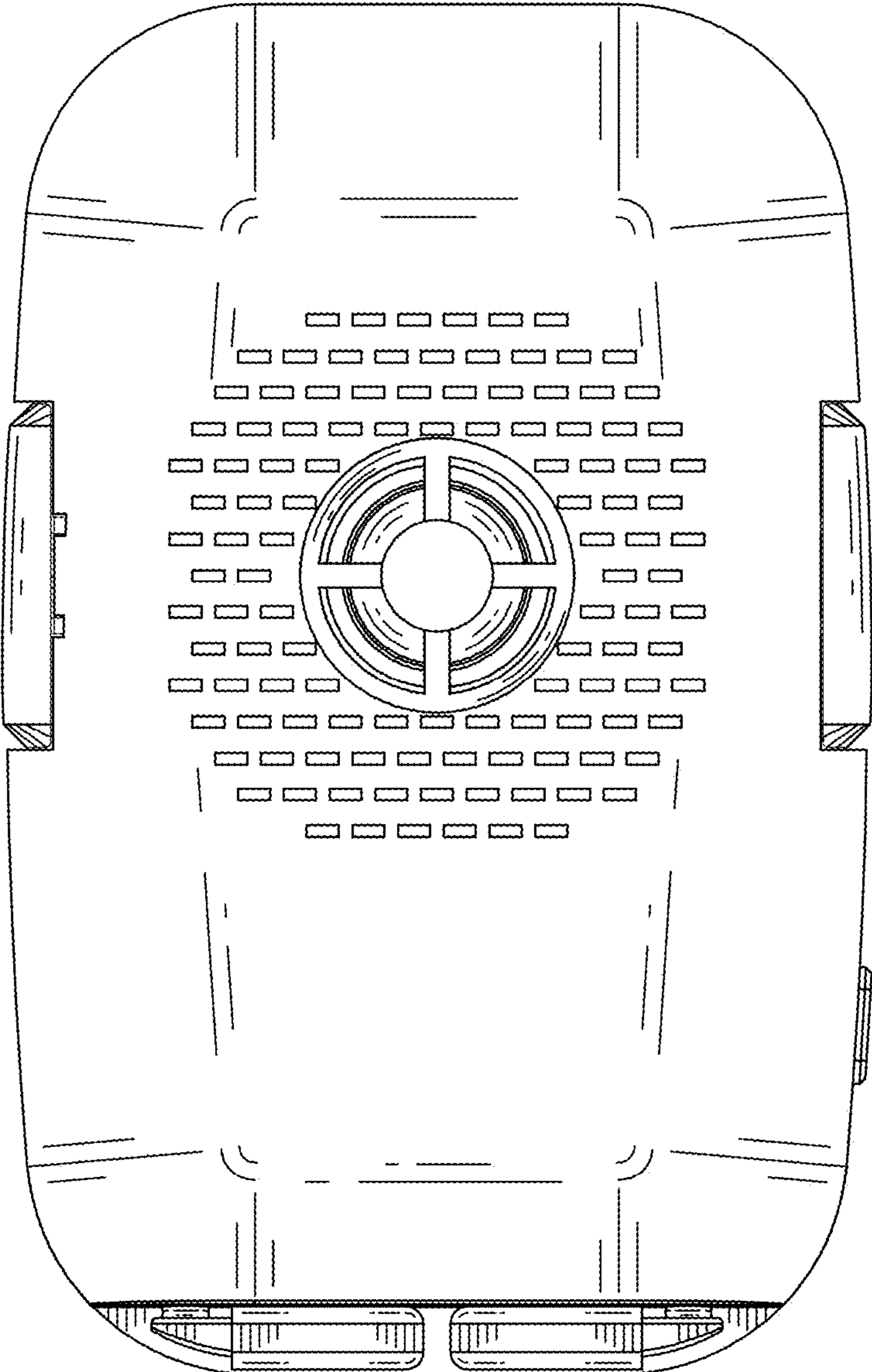


FIG. 4

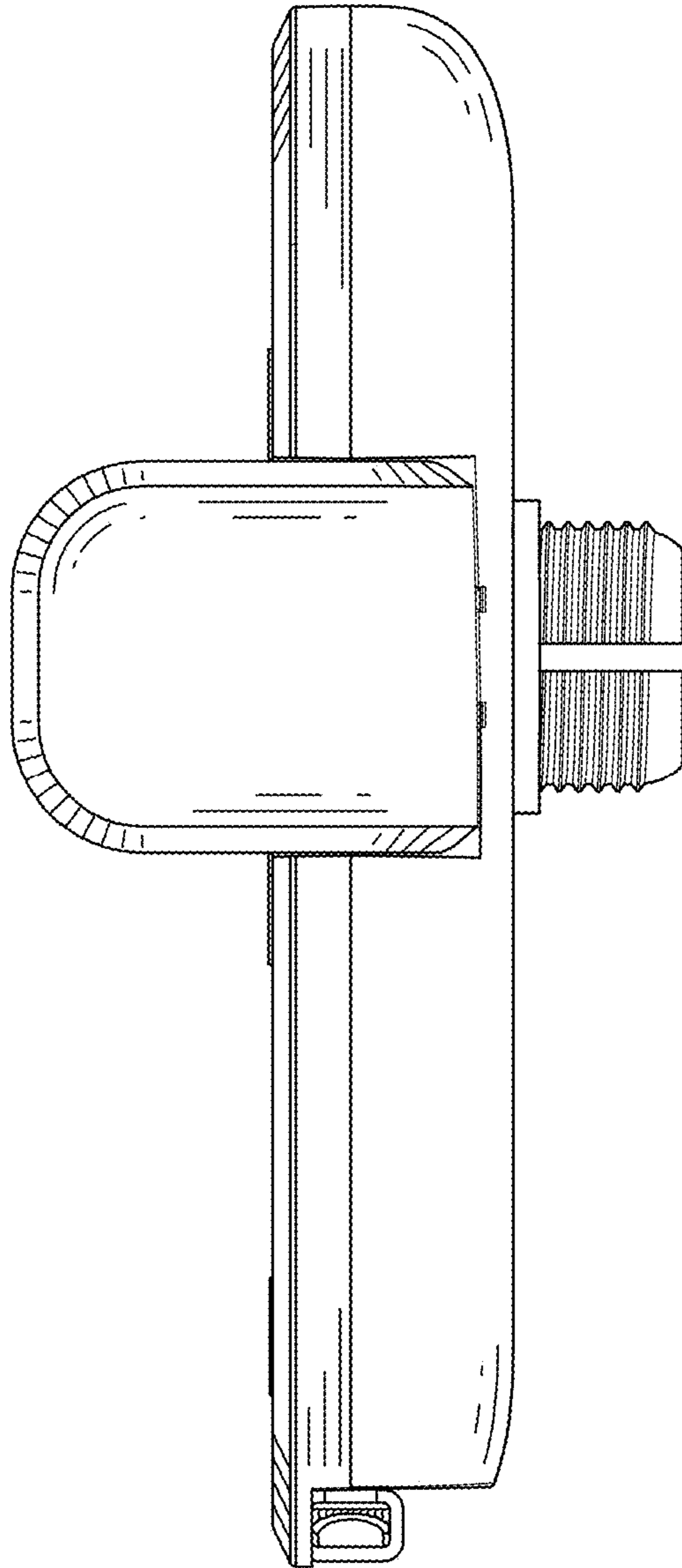


FIG. 5

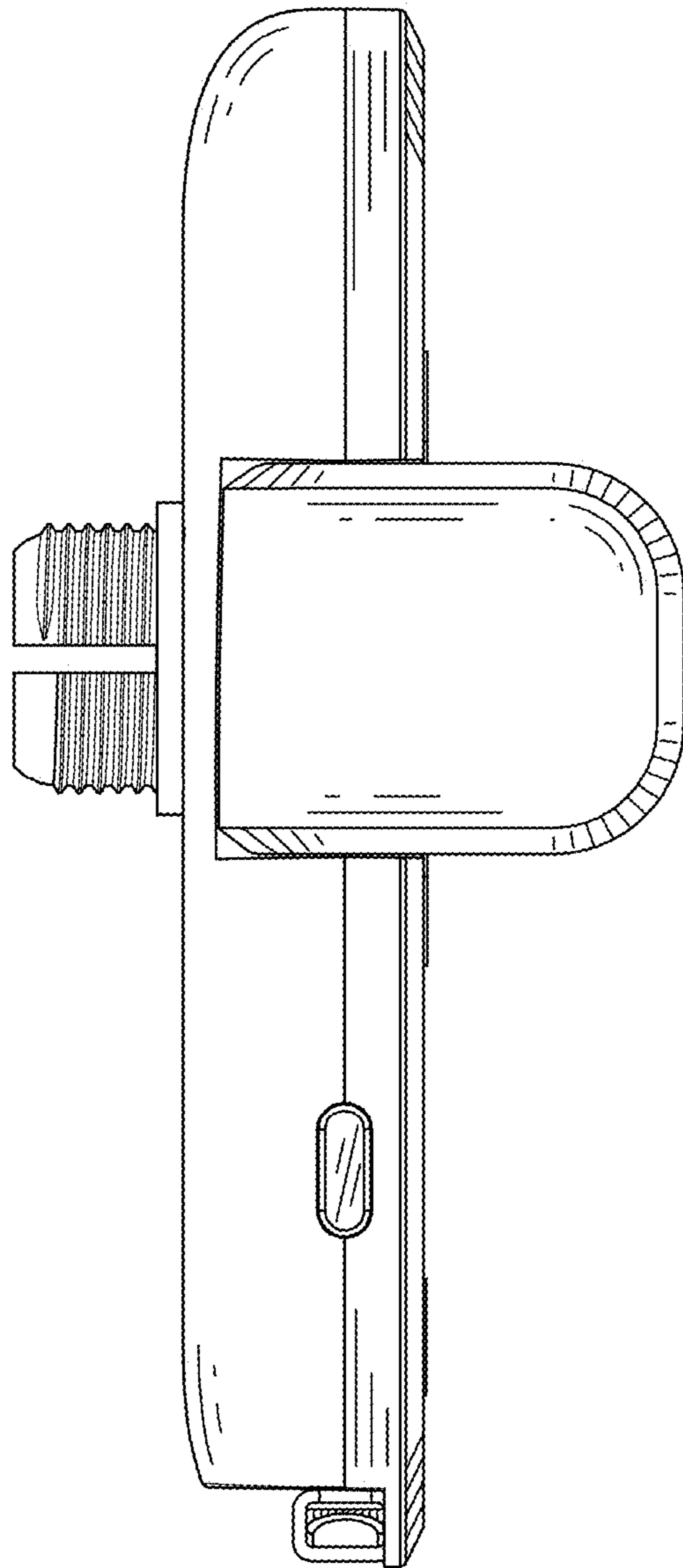


FIG. 6

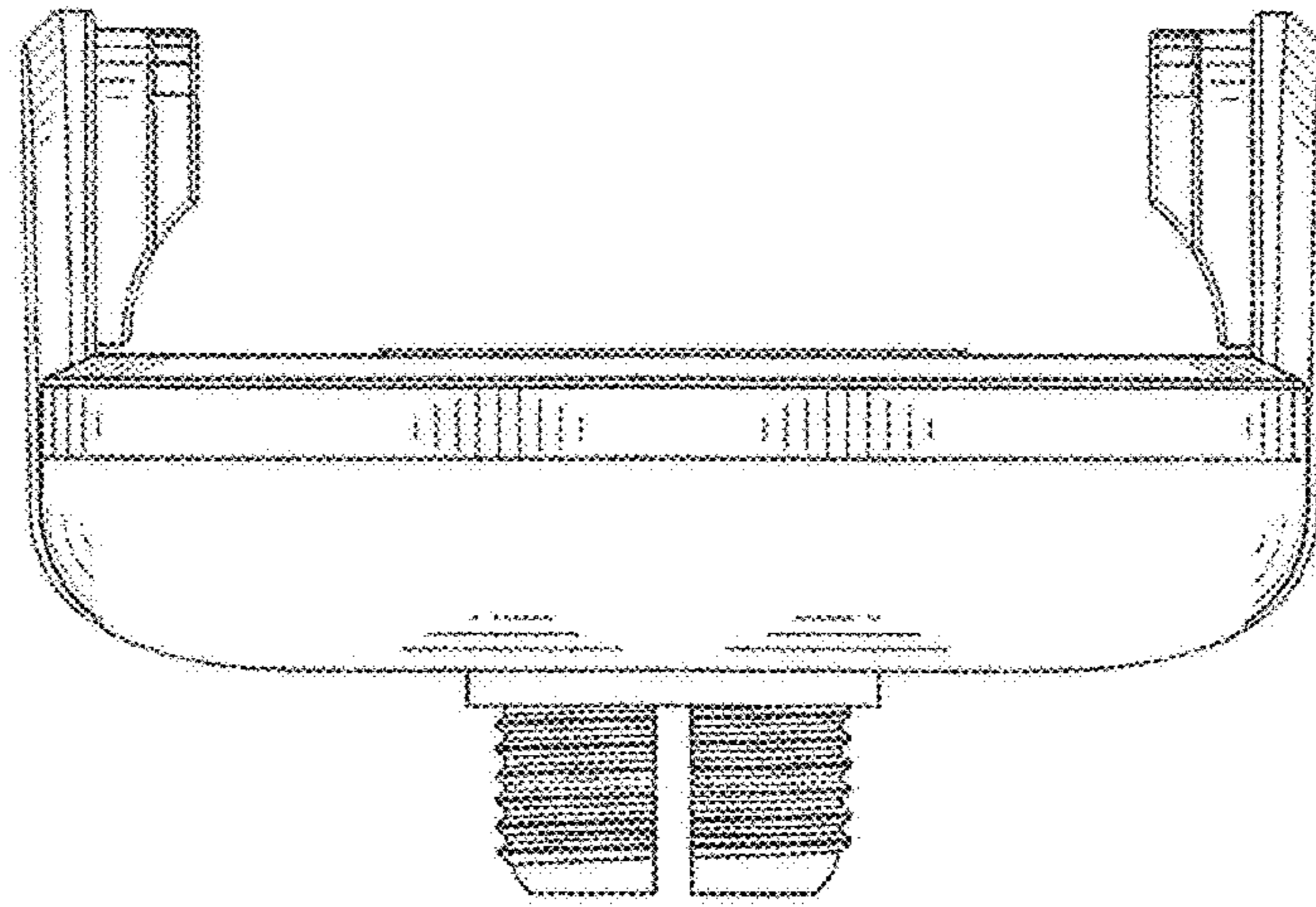


FIG. 7

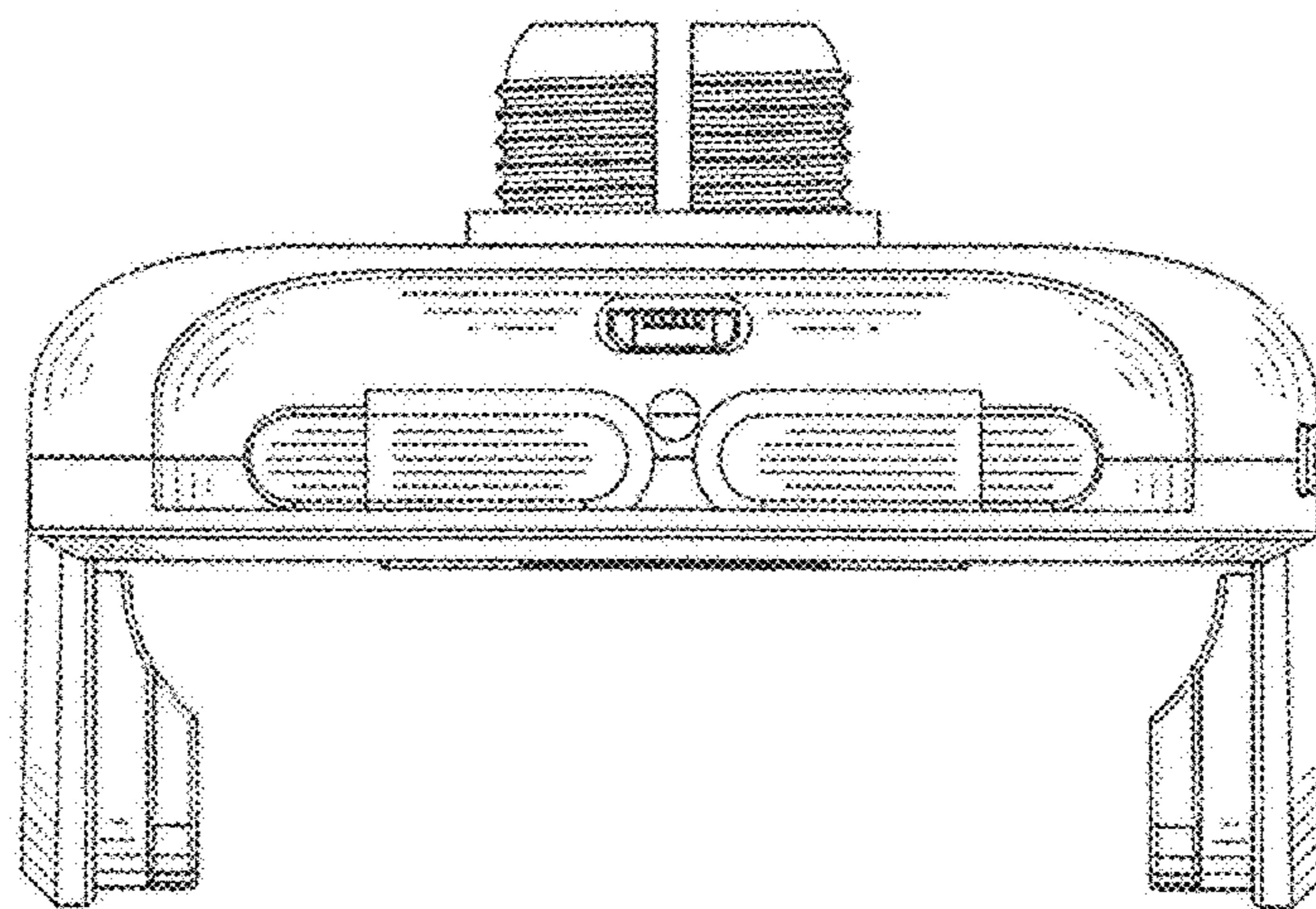


FIG. 8