



US00D877065S

(12) **United States Design Patent**
Li et al.

(10) **Patent No.:** **US D877,065 S**
(45) **Date of Patent:** **** Mar. 3, 2020**

- (54) **PORTABLE SMART CHARGER**
- (71) Applicant: **ZHUHAI LCOLA TECHNOLOGY CO., LTD.**, Zhuhai (CN)
- (72) Inventors: **Xiang Li**, Zhuhai (CN); **Yiping Wu**, Zhuhai (CN); **Lei Feng**, Zhuhai (CN)
- (73) Assignee: **ZHUHAI LCOLA TECHNOLOGY CO., LTD.**, Zhuhai (CN)
- (**) Term: **15 Years**
- (21) Appl. No.: **29/632,736**
- (22) Filed: **Jan. 9, 2018**
- (30) **Foreign Application Priority Data**

D449,513 S *	10/2001	Stekelenburg	D8/358
D449,974 S *	11/2001	Stekelenburg	D8/358
D456,242 S *	4/2002	Stekelenburg	D8/358
D457,806 S *	5/2002	Stekelenburg	D8/358
D468,189 S *	1/2003	Kovacik	D8/358
D496,253 S *	9/2004	Kovacik	D8/358
D546,283 S *	7/2007	Cho	D13/110
D626,063 S *	10/2010	Cutter	D13/107
D632,645 S *	2/2011	Blain	D13/107
D651,561 S *	1/2012	Petrie	D13/107
D652,791 S *	1/2012	Petrie	D13/107
D655,242 S *	3/2012	Holthusen	D13/107
D660,791 S *	5/2012	Murata	D13/107
D664,085 S *	7/2012	Callender	D13/107
D665,344 S *	8/2012	Petrie	D13/107
D665,733 S *	8/2012	Petrie	D13/107
D675,563 S *	2/2013	Hoehn	D13/110
D706,213 S *	6/2014	Titus	D13/107
D777,101 S *	1/2017	Shimada	D13/107
D795,193 S *	8/2017	Huang	D13/133

(Continued)

- Aug. 3, 2017 (CN) 2017 3 0350915
- (51) **LOC (12) Cl.** **13-02**
- (52) **U.S. Cl.**
USPC **D13/107**
- (58) **Field of Classification Search**
USPC D13/107–110, 118–119, 184; D14/251, D14/253, 432, 434; D8/356, 358
CPC Y02E 60/12; Y02E 60/721; Y02T 90/14; Y02T 90/122; Y02T 90/128; Y02T 90/163; H02J 7/025; H02J 7/0042; H02J 7/0044; H02J 7/0045; H02J 7/0003; H01F 38/14; H01R 13/6675; H01M 2/1022; H01M 2/1055; H01M 10/44; H01M 10/46; H01M 10/425; B60L 11/182
See application file for complete search history.

Primary Examiner — Rosemary K Tarcza
(74) *Attorney, Agent, or Firm* — Bayramoglu Law Offices LLC

(57) **CLAIM**

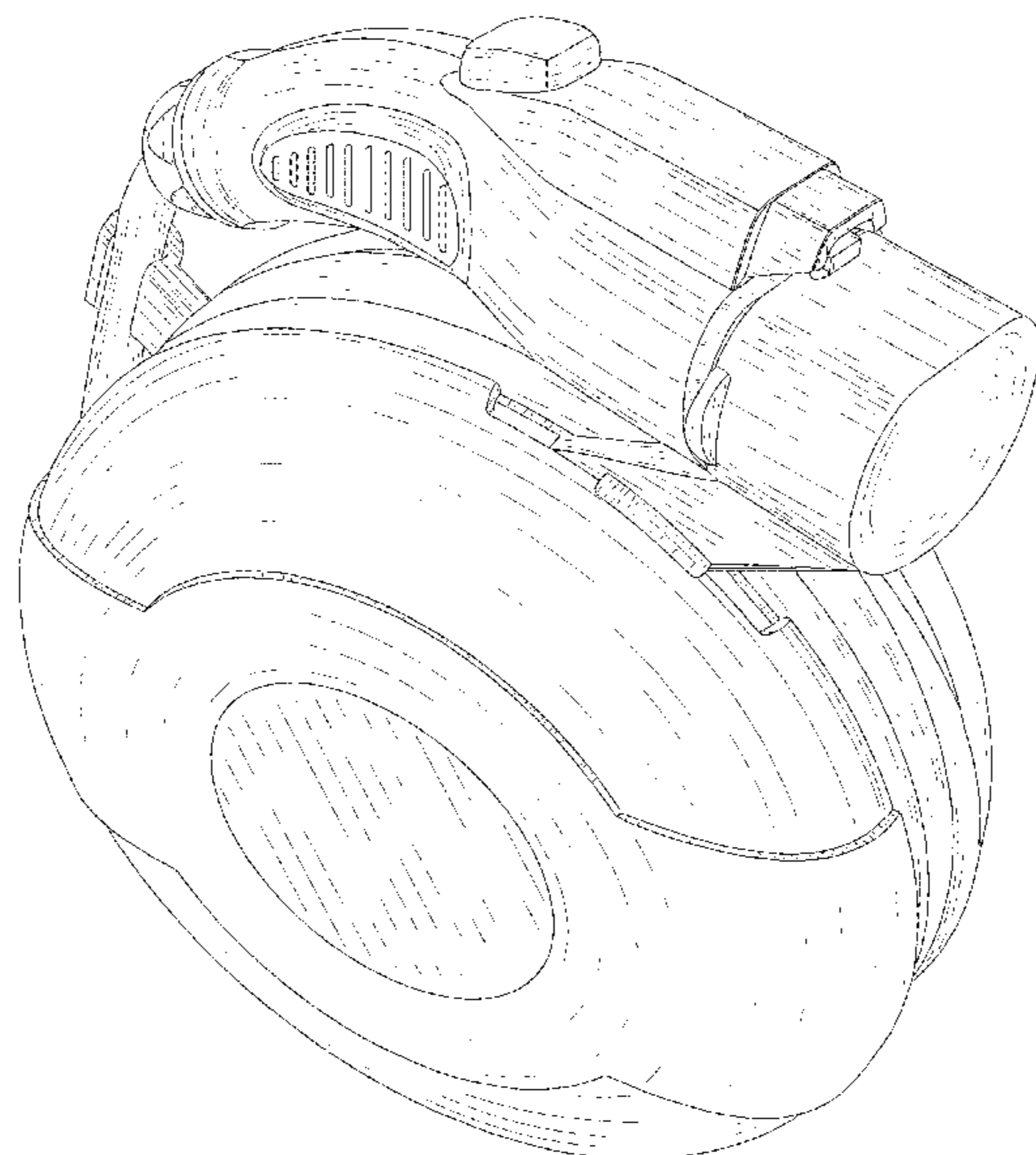
The ornamental design for a portable smart charger, as shown and described.

DESCRIPTION

FIG. 1 is a front view of a portable smart charger showing our new design;
FIG. 2 is a rear view thereof;
FIG. 3 is a top view thereof;
FIG. 4 is a bottom view thereof;
FIG. 5 is a right side view thereof;
FIG. 6 is a left side view thereof; and,
FIG. 7 is a perspective view thereof.
The broken lines depict portions of the portable smart charger in which the design is embodied that form no part of the claimed design.

- (56) **References Cited**
U.S. PATENT DOCUMENTS
D300,678 S * 4/1989 Barrault D13/108
D377,447 S * 1/1997 Blye D8/358
D387,062 S * 12/1997 Heine D10/72

1 Claim, 7 Drawing Sheets



(56)

References Cited

U.S. PATENT DOCUMENTS

D812,559 S * 3/2018 Xu D13/107
D855,567 S * 8/2019 Cai D13/108

* cited by examiner

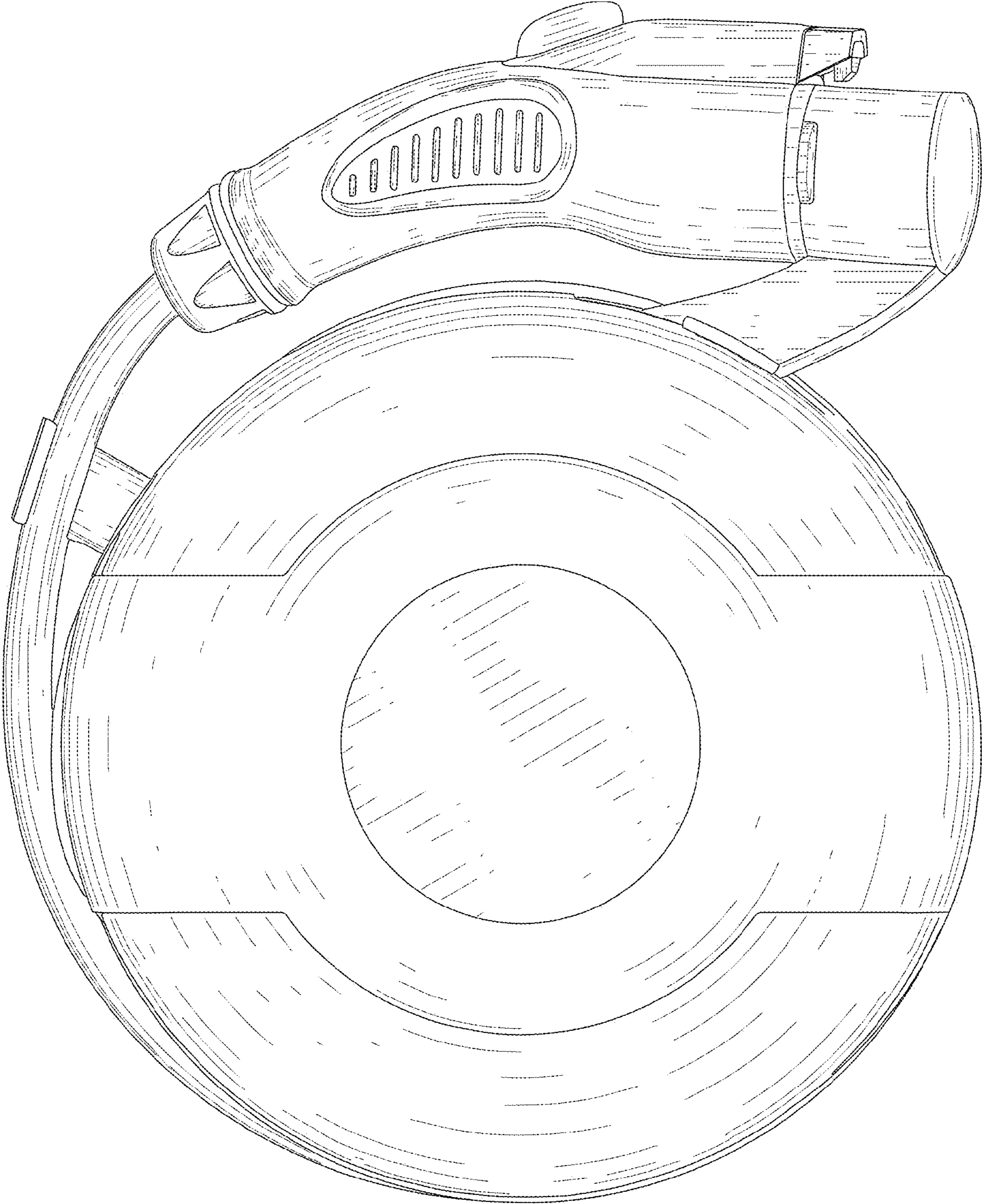


FIG. 1

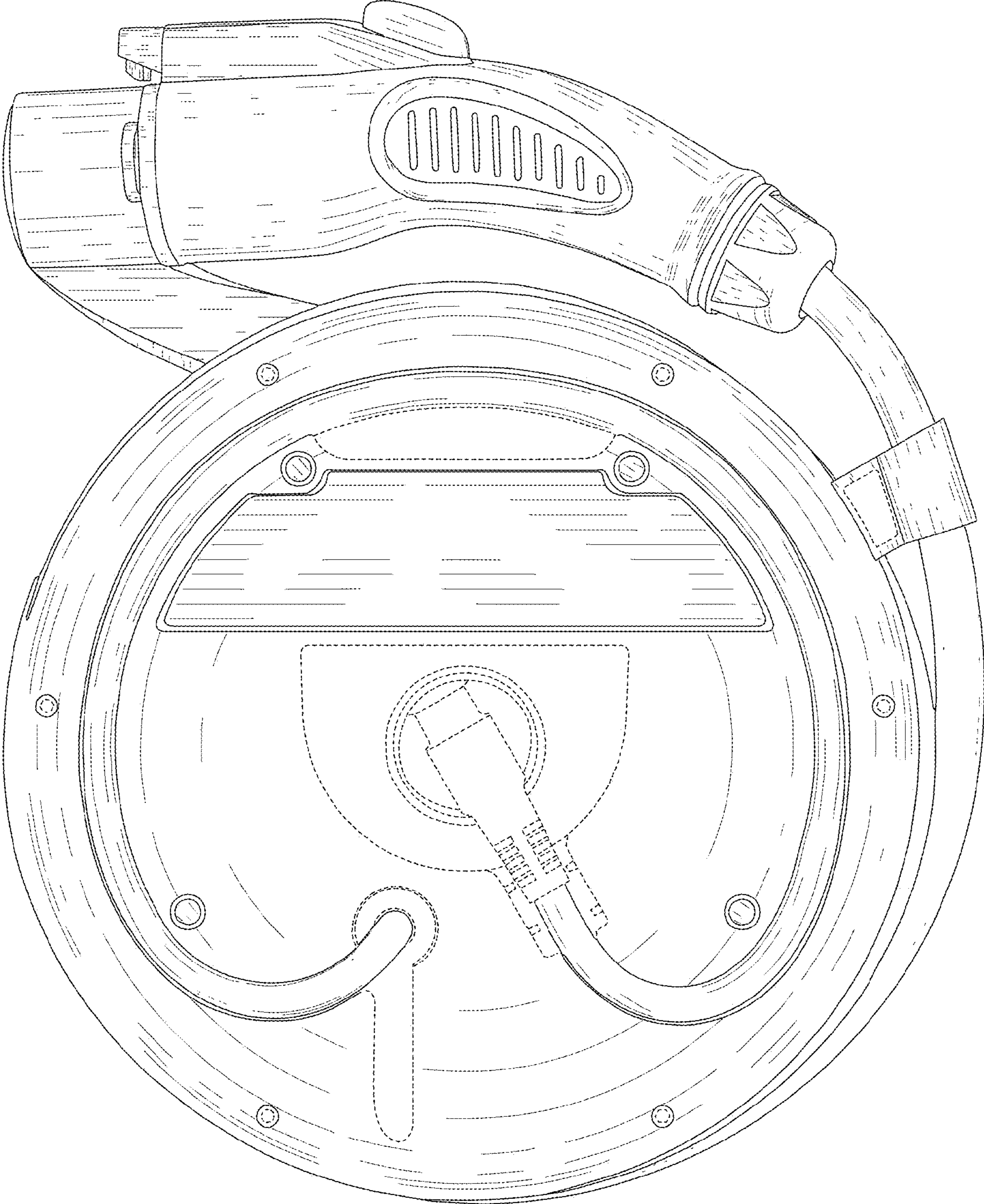


FIG. 2

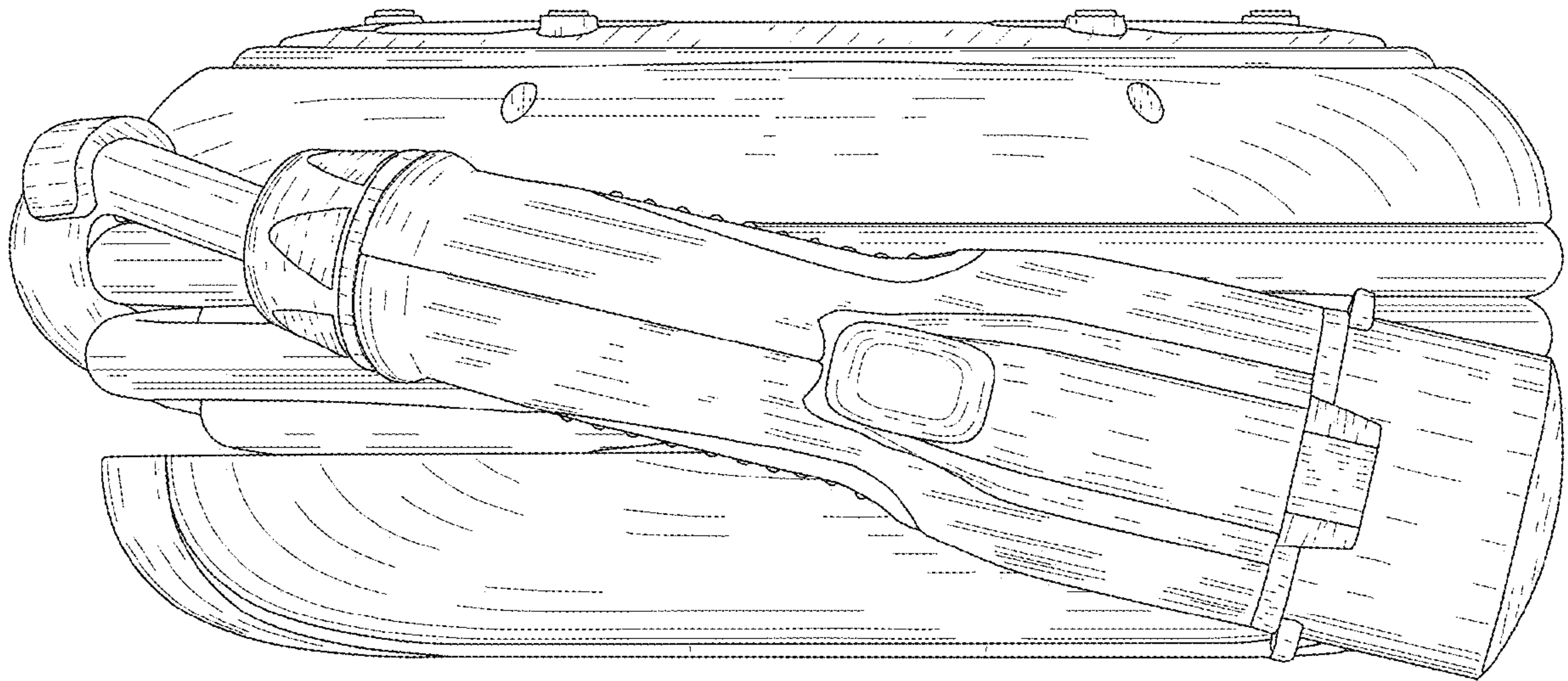


FIG. 3

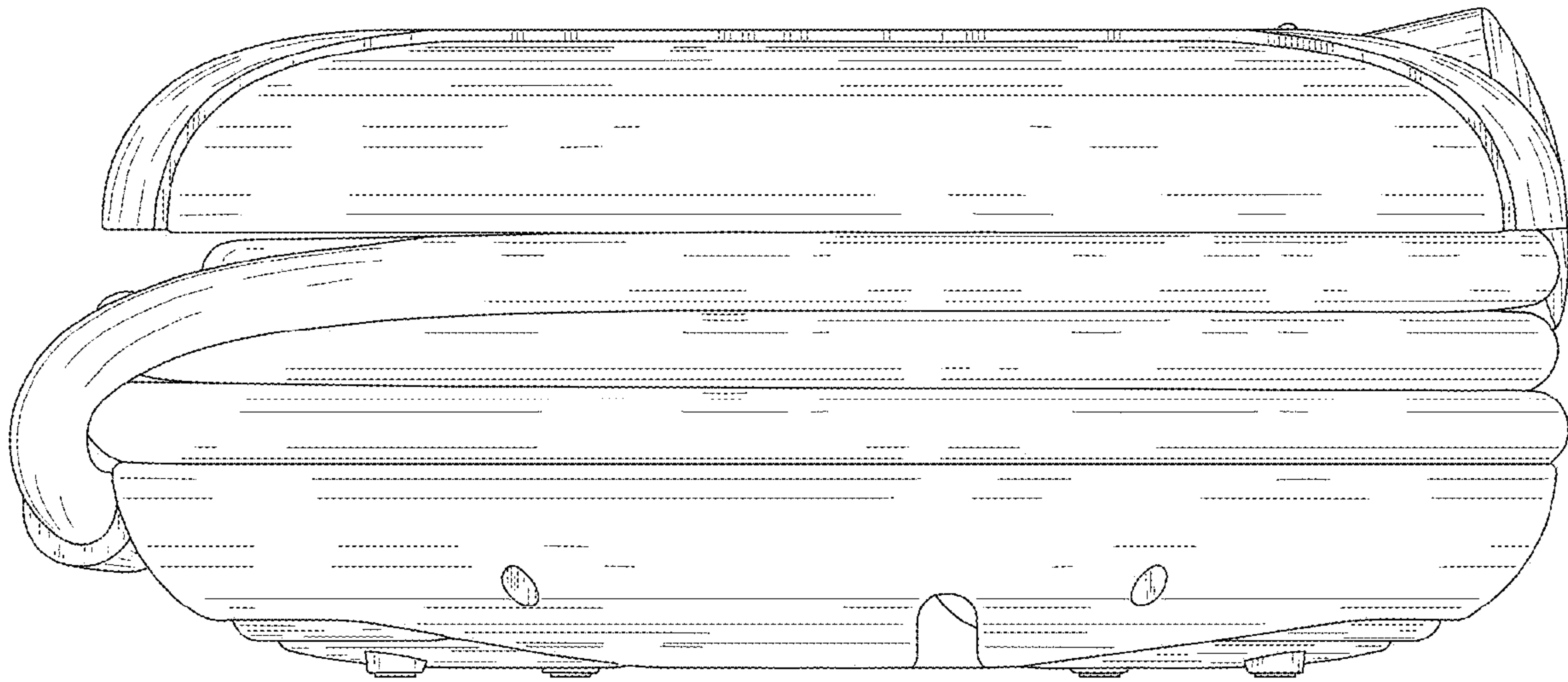


FIG. 4

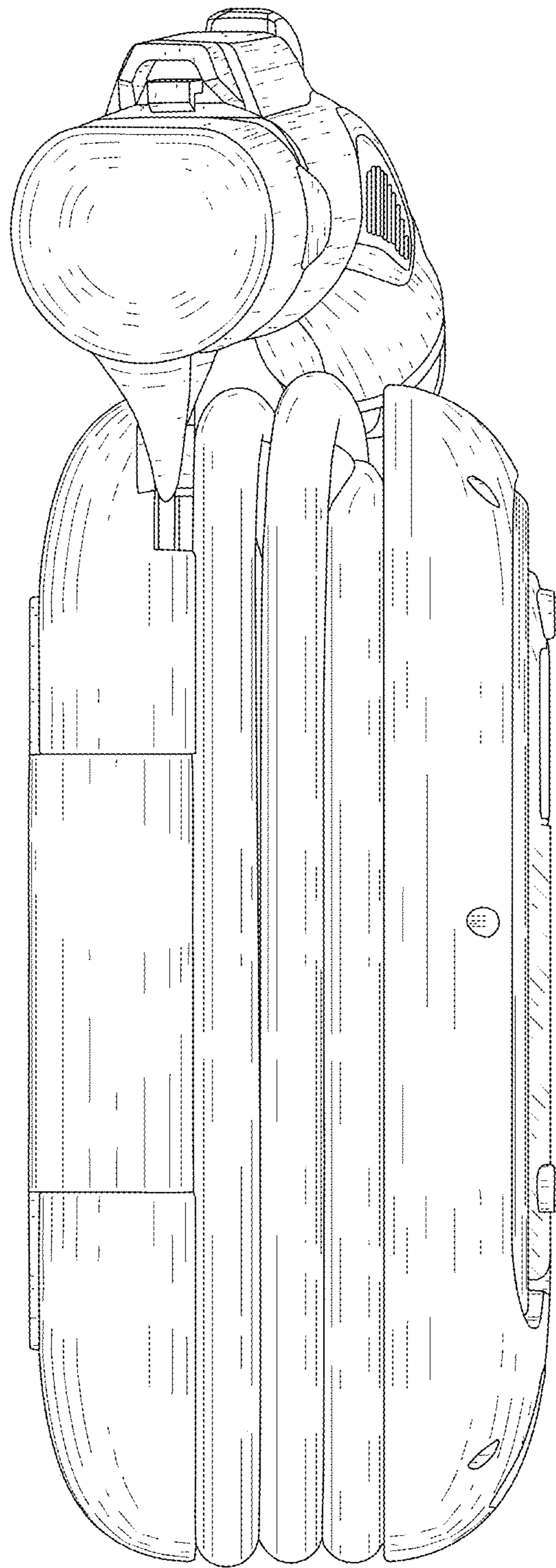


FIG. 5

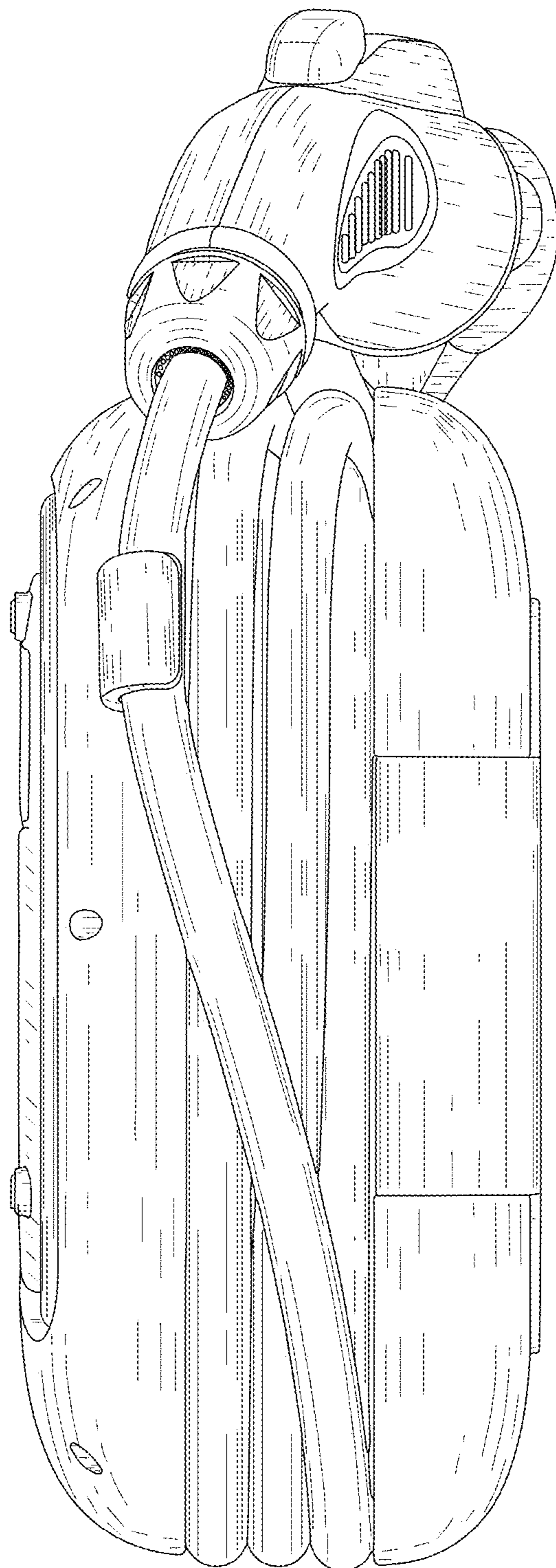


FIG. 6

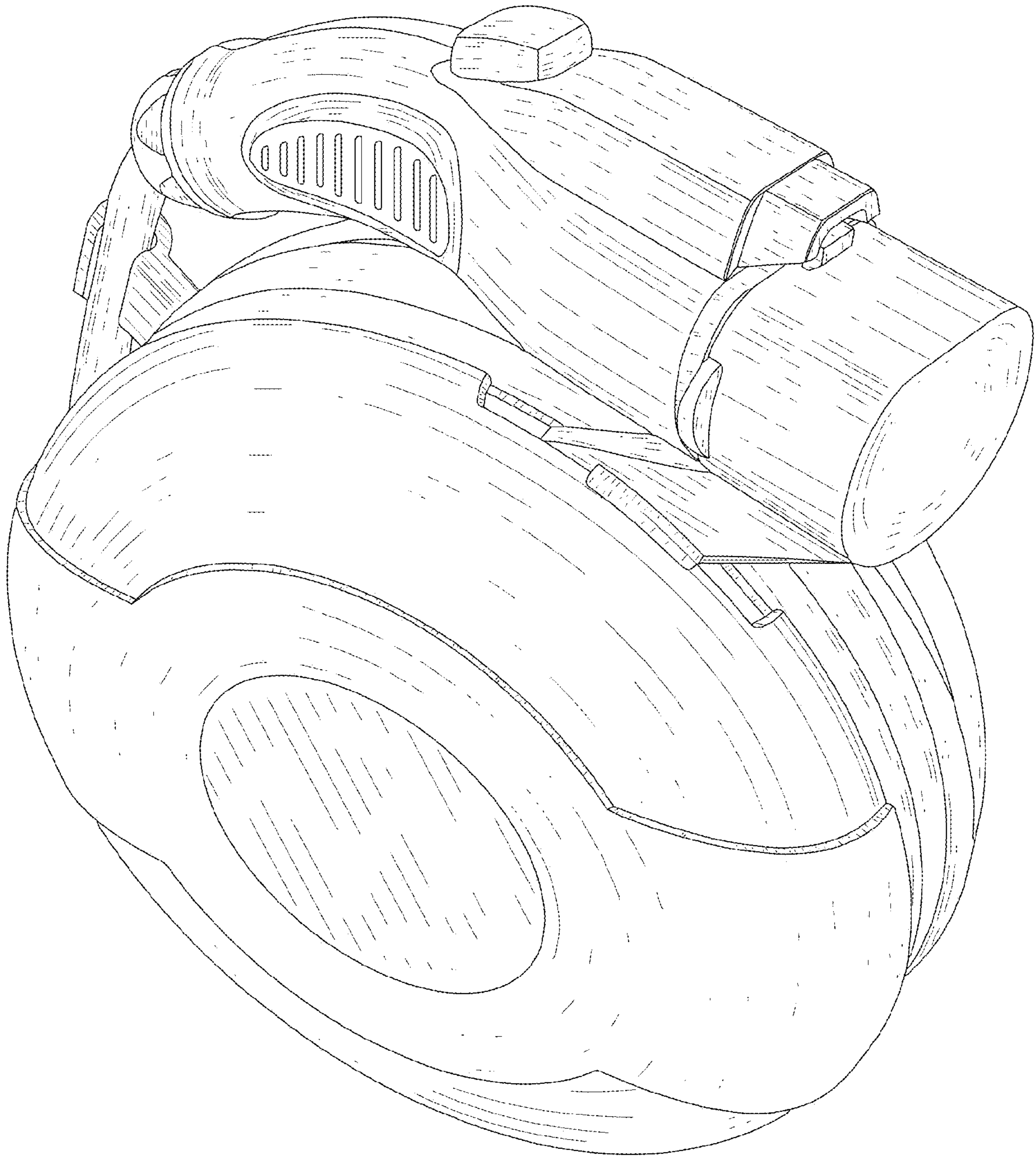


FIG. 7