



US00D877064S

(12) **United States Design Patent**  
**Jiang**

(10) **Patent No.:** **US D877,064 S**  
(45) **Date of Patent:** **\*\* Mar. 3, 2020**

(54) **RECHARGEABLE BATTERY FOR WIRELESS CONTROLLER**

(71) Applicant: **SHENZHENSHI MOBAI SHUMA KEJI YOUXIAN GONGSI**, Shenzhen (CN)

(72) Inventor: **Lianxiang Jiang**, Shenzhen (CN)

(73) Assignee: **SHENZHENSHI MOBAI SHUMA KEJI YOUXIAN GONGSI**, Shenzhen (CN)

(\*\*) Term: **15 Years**

(21) Appl. No.: **29/674,856**

(22) Filed: **Dec. 26, 2018**

(51) **LOC (12) Cl.** ..... **13-02**

(52) **U.S. Cl.**  
USPC ..... **D13/103**

(58) **Field of Classification Search**  
USPC ..... D13/103-110, 118, 119, 184, 199;  
D14/251, 253, 432, 434  
CPC ..... Y02E 60/10; Y02E 60/12; Y02E 60/122;  
Y02E 60/124; Y02E 60/50; H01M 2/02;  
H01M 2/022; H01M 2/0202; H01M  
2/0207; H01M 2/0212; H01M 2/1061;  
H01M 2/1022; H01M 2/1055; H01M  
2/1066; H01M 2/105; H01M 2/20; H01M  
2/202; H01M 2/204; H01M 2/206; H01M  
10/44; H01M 10/46; H01M 10/465;  
H01M 10/482; H01M 2200/30; H01M  
2250/30; H01M 2250/40; H02J 7/00;  
H02J 7/0003; H02J 7/0011; H02J 7/0013;  
H02J 7/0054; H02J 7/0055; H02J 7/0057;  
H02J 2007/0062

See application file for complete search history.

(56) **References Cited**

**U.S. PATENT DOCUMENTS**

D586,740 S \* 2/2009 Song ..... D13/103  
D586,741 S \* 2/2009 Song ..... D13/103

D586,742 S \* 2/2009 Song ..... D13/103  
D590,769 S \* 4/2009 Tatehata ..... D13/103  
D592,129 S \* 5/2009 Masuda ..... D13/103  
D592,130 S \* 5/2009 Tatehata ..... D13/103  
D642,978 S \* 8/2011 Sato ..... D13/103  
D644,988 S \* 9/2011 Finney ..... D13/103  
D645,814 S \* 9/2011 Otani ..... D13/103  
D651,564 S \* 1/2012 Workman ..... D13/108  
D665,734 S \* 8/2012 Fitch ..... D13/107  
D677,623 S \* 3/2013 Fitch ..... D13/108  
D678,185 S \* 3/2013 Horiuchi ..... D13/103  
D678,186 S \* 3/2013 Horiuchi ..... D13/103  
D684,114 S \* 6/2013 Otani ..... D13/103

(Continued)

**OTHER PUBLICATIONS**

Amazon.com: Smatree 2000 mAh Rechargeable Battery. Main Page. Date reviewed of Oct. 18, 2018. Retrieved from the internet at <<https://www.amazon.com/Smatree-Rechargeable-Charging-Compatible-Controller/product-reviews/B07F319F3R/>>, Oct. 28, 2019. 1 page. (Year: 2018).\*

(Continued)

*Primary Examiner* — Rosemary K Tarcza  
*Assistant Examiner* — Christy M Nemeth

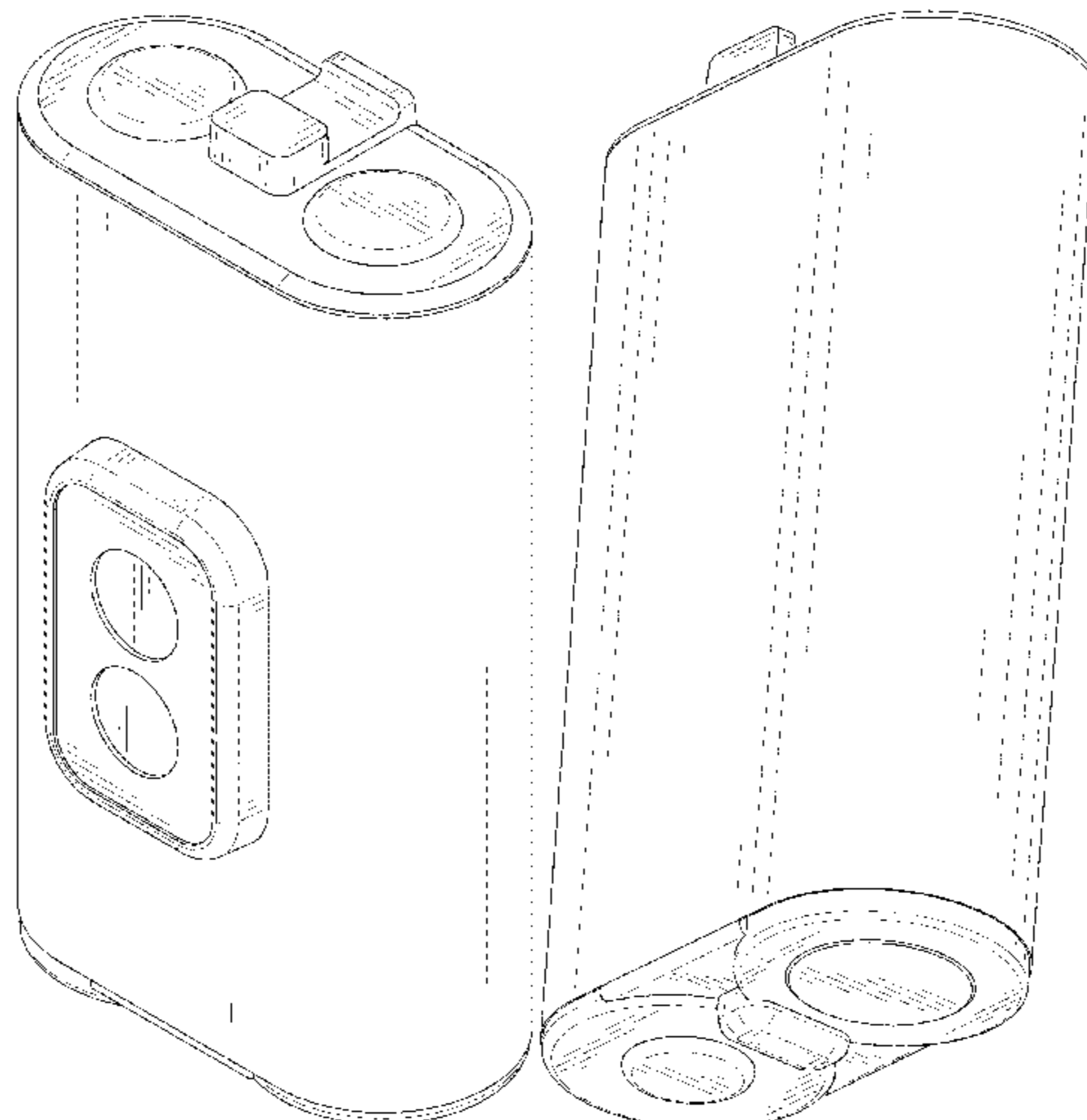
(57) **CLAIM**

The ornamental design for a rechargeable battery for wireless controller, as shown and described.

**DESCRIPTION**

FIG. 1 is a perspective view of a rechargeable battery for wireless controller showing my new design; FIG. 2 is another perspective view thereof; FIG. 3 is a front elevational view thereof; FIG. 4 is a rear elevational view thereof; FIG. 5 is a left side elevational view thereof; FIG. 6 is a right side elevational view thereof; FIG. 7 is a top plan view thereof; and, FIG. 8 is a bottom plan view thereof.

**1 Claim, 8 Drawing Sheets**



(56)

**References Cited**

## U.S. PATENT DOCUMENTS

D740,752 S \* 10/2015 Kitsugi ..... D13/119  
D743,889 S \* 11/2015 Lyles ..... D13/110  
D747,264 S \* 1/2016 Kitsugi ..... D13/103  
D763,188 S \* 8/2016 Park ..... D13/108  
D772,807 S \* 11/2016 Chen ..... D13/103  
D773,390 S \* 12/2016 Dittel ..... D13/103  
D782,409 S \* 3/2017 Tyler ..... D13/103  
D782,410 S \* 3/2017 Li ..... D13/103  
D787,443 S \* 5/2017 Chiang ..... D13/110  
D815,036 S \* 4/2018 Martorell ..... D13/108  
D828,295 S \* 9/2018 Li ..... D13/108  
D839,823 S \* 2/2019 Lemelson ..... D13/103  
D853,958 S \* 7/2019 Lei ..... D13/108  
D856,278 S \* 8/2019 Turksu ..... D13/108  
D862,384 S \* 10/2019 Jen ..... D13/108  
D862,385 S \* 10/2019 Turksu ..... D13/108  
2015/0303411 A1 \* 10/2015 Seong ..... H01M 2/0202  
429/163  
2018/0102537 A1 \* 4/2018 Kim ..... H01M 4/131  
2018/0233715 A1 \* 8/2018 Xing ..... H01M 2/0404  
2019/0229325 A1 \* 7/2019 Ahn ..... H01M 4/133

## OTHER PUBLICATIONS

Amazon.com: Smatree 2000 mAh Rechargeable Battery. Review Page. Date reviewed of Oct. 18, 2018. Retrieved from the internet at <<https://www.amazon.com/Smatree-Rechargeable-Charging-Compatible-Controller/dp/B07F319F3R/>>, Oct. 28, 2019 . 1 page. (Year: 2018).\*

\* cited by examiner

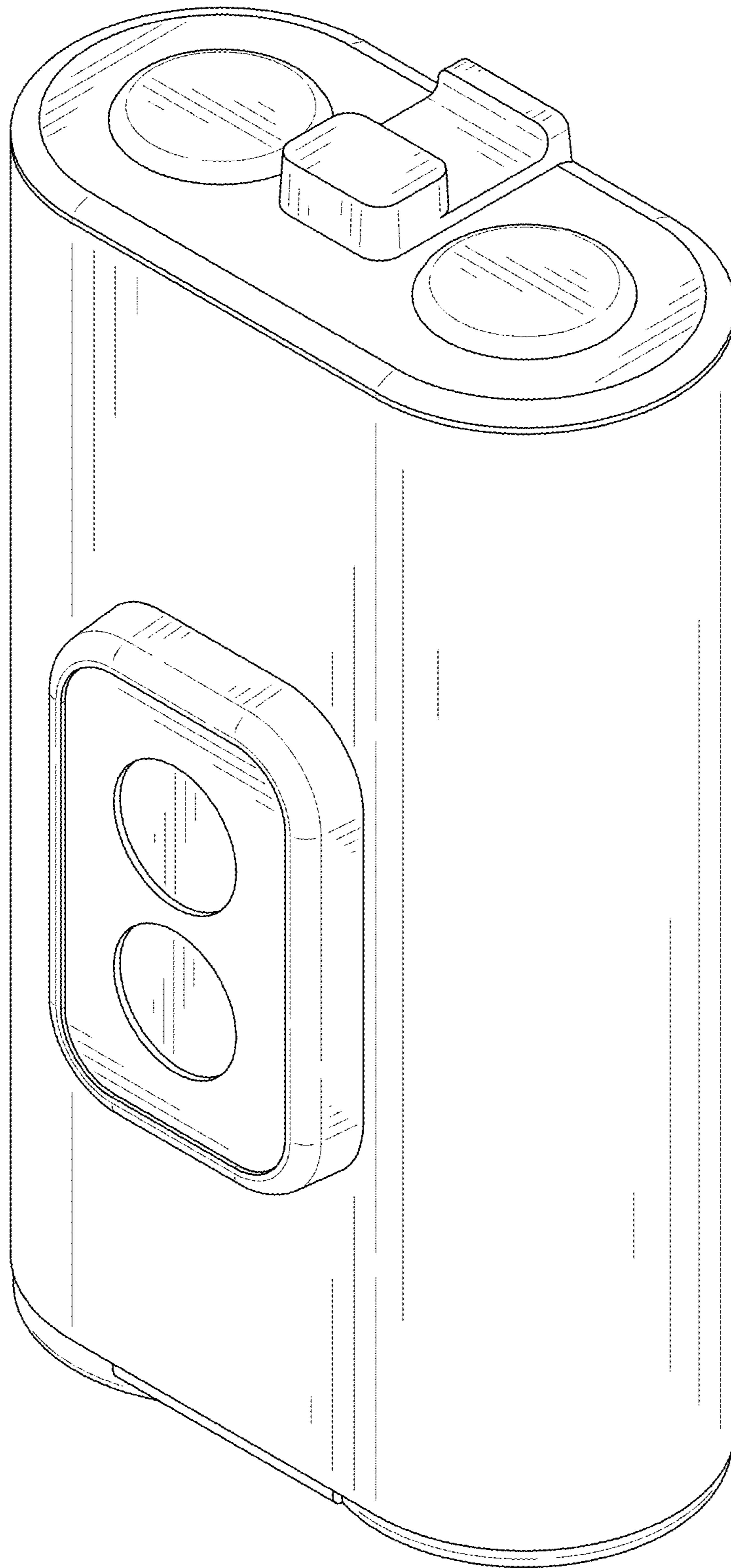


FIG. 1

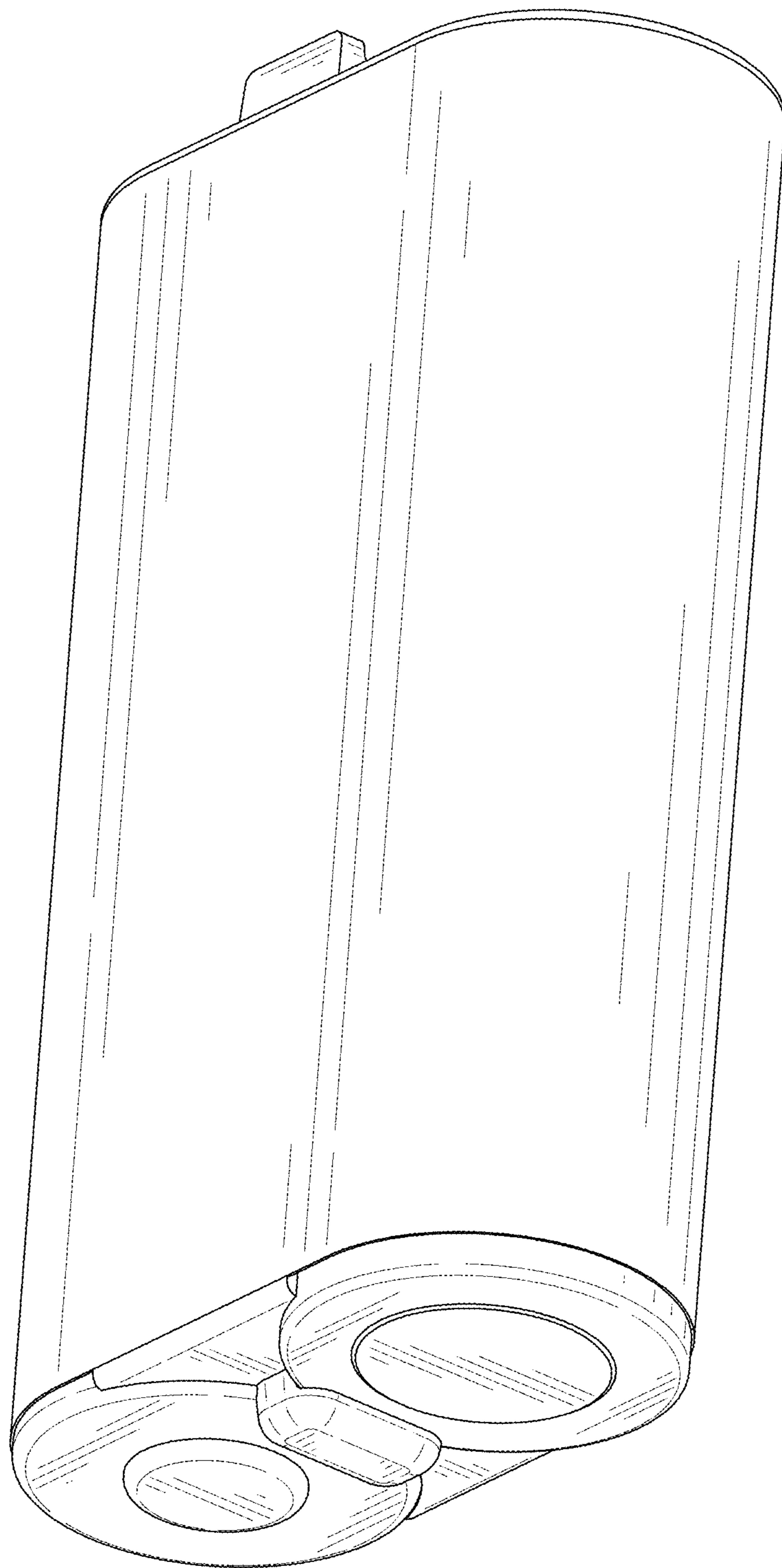


FIG. 2

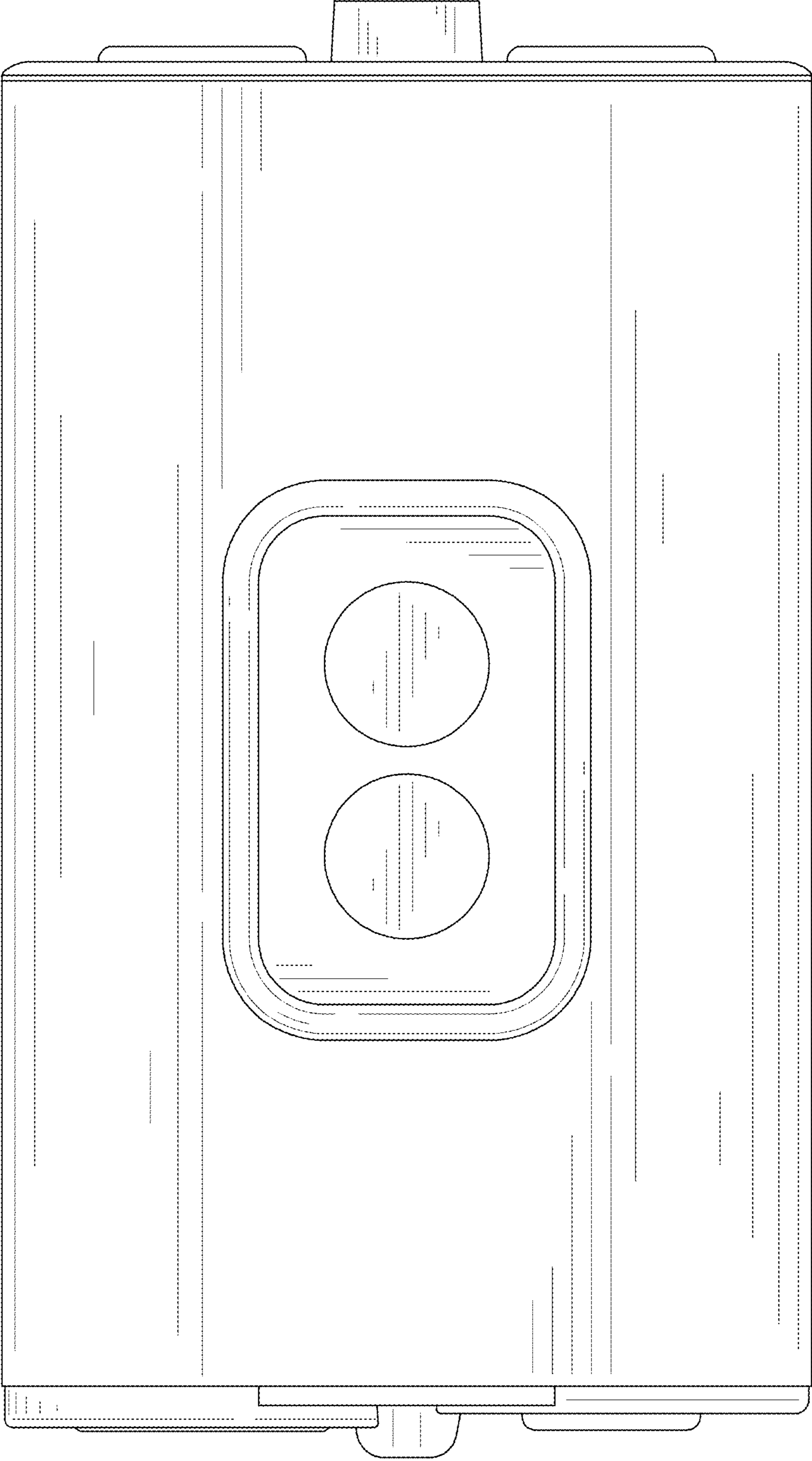


FIG. 3

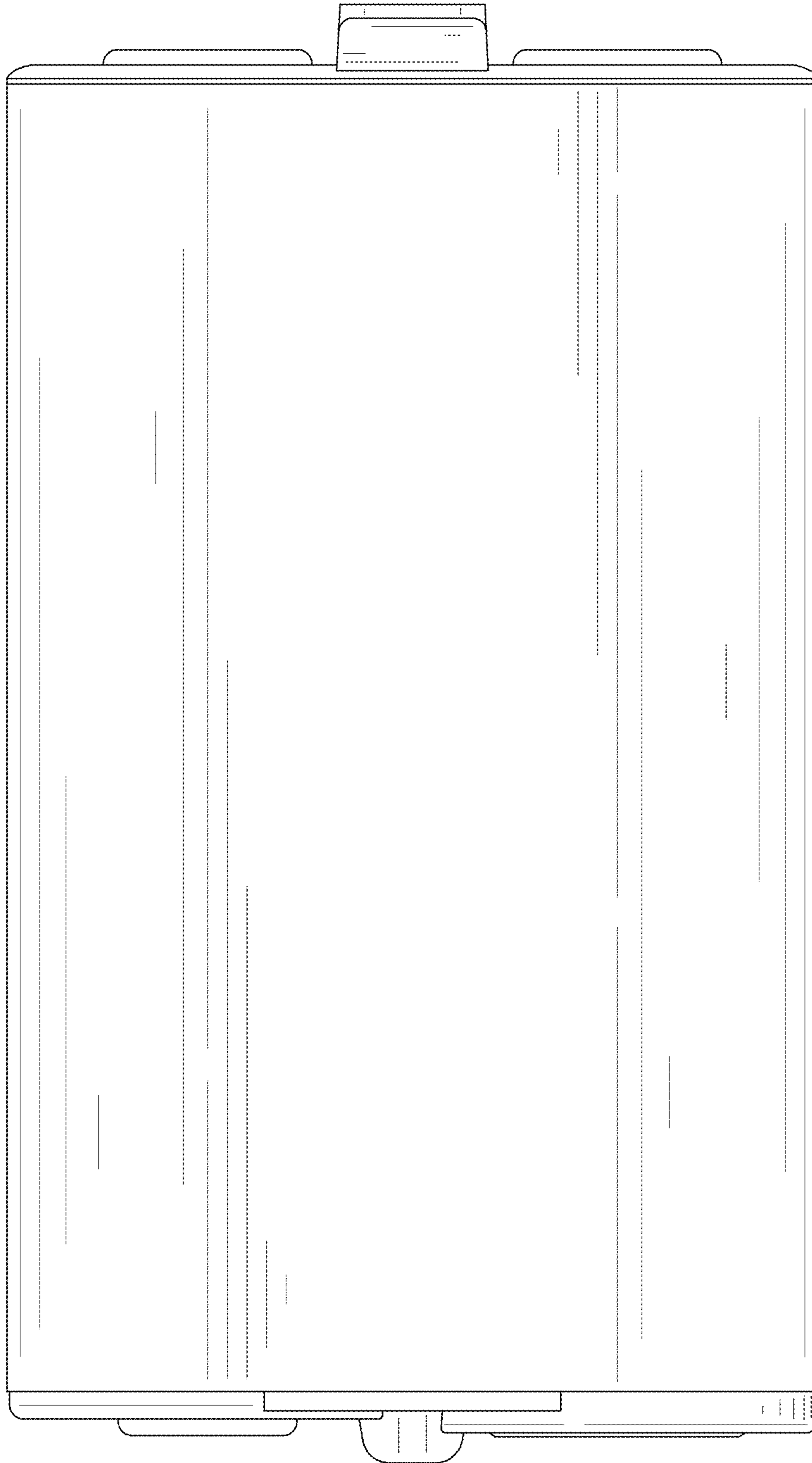


FIG. 4

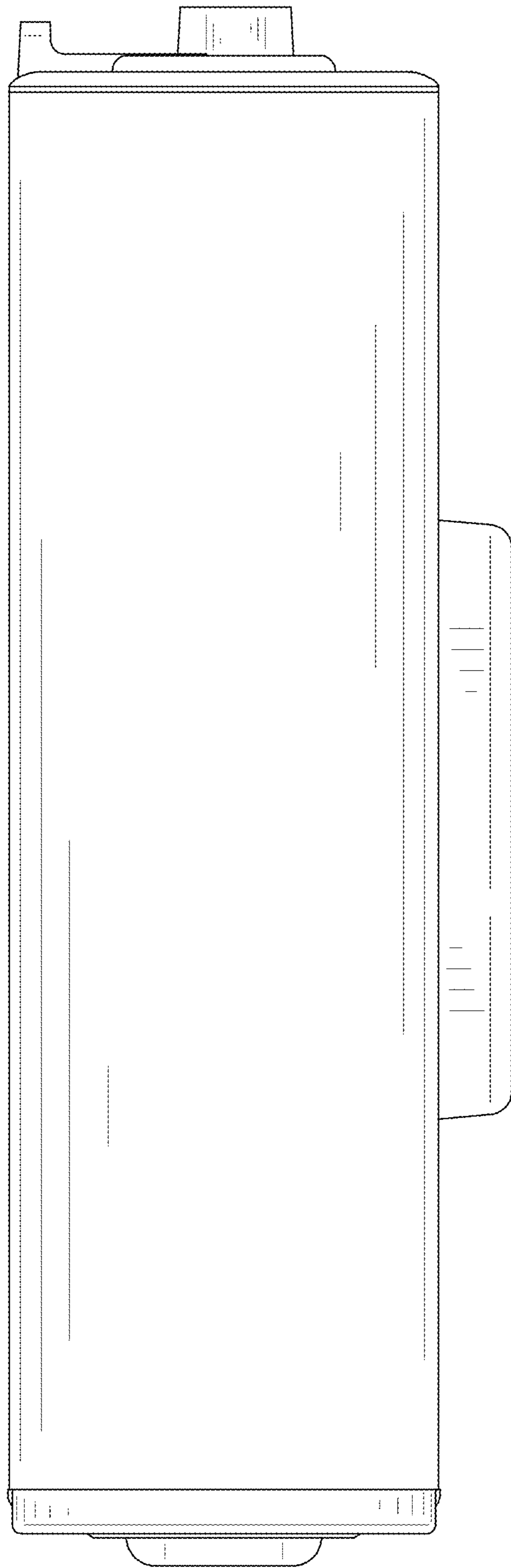


FIG. 5

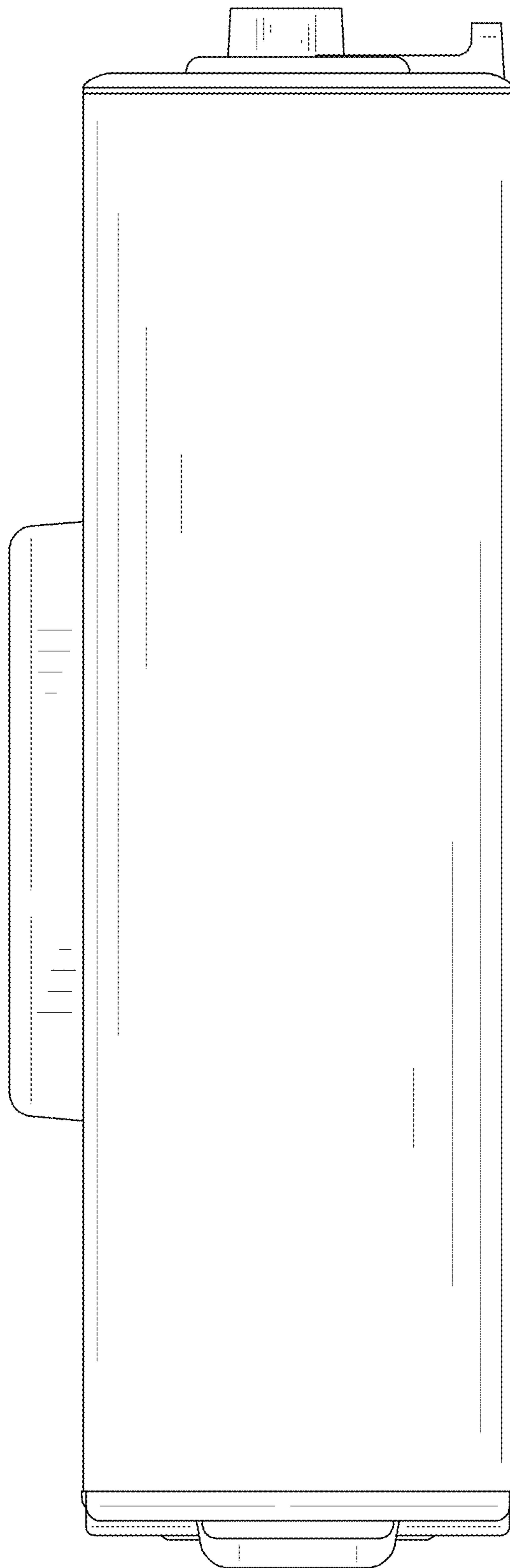


FIG. 6



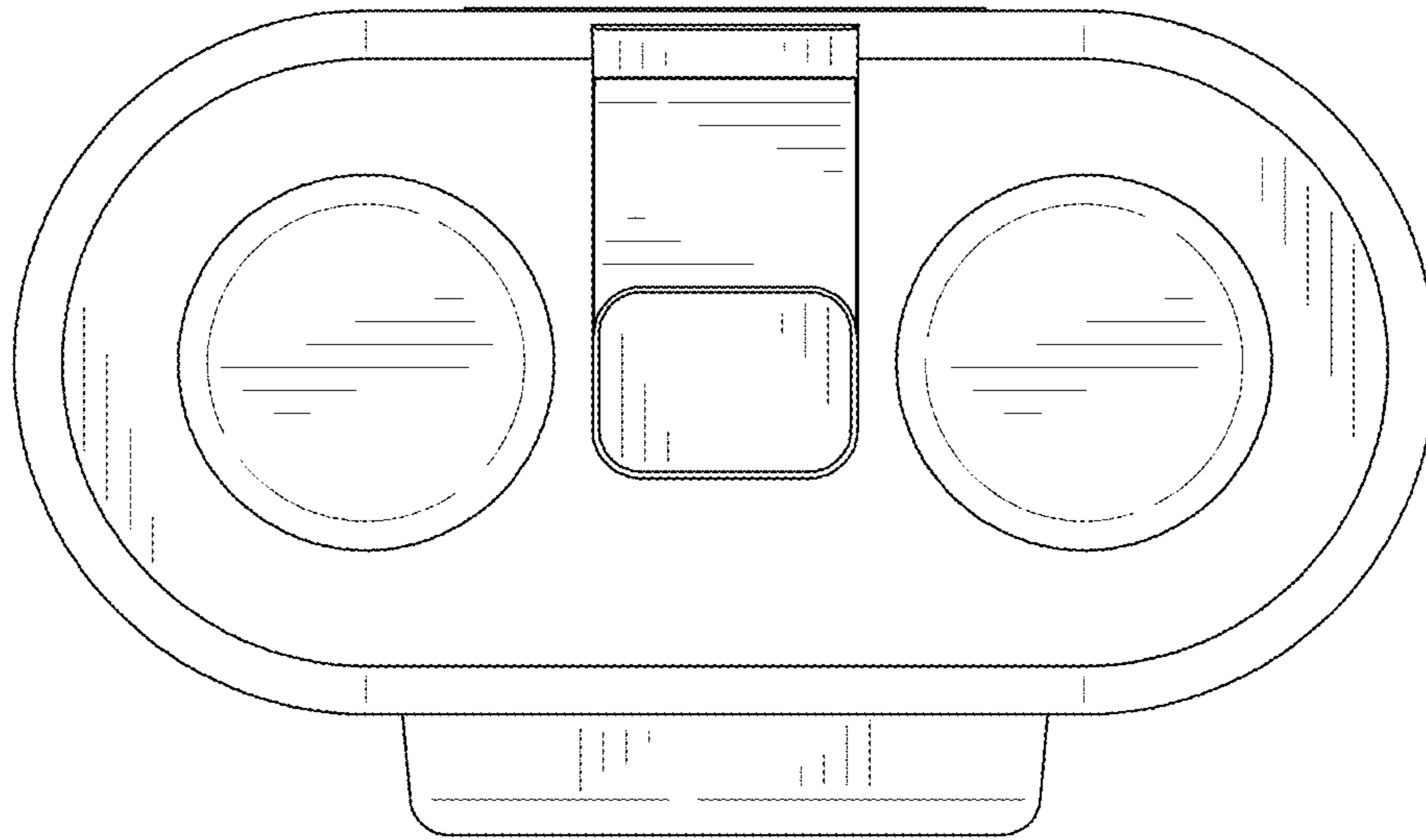


FIG. 7

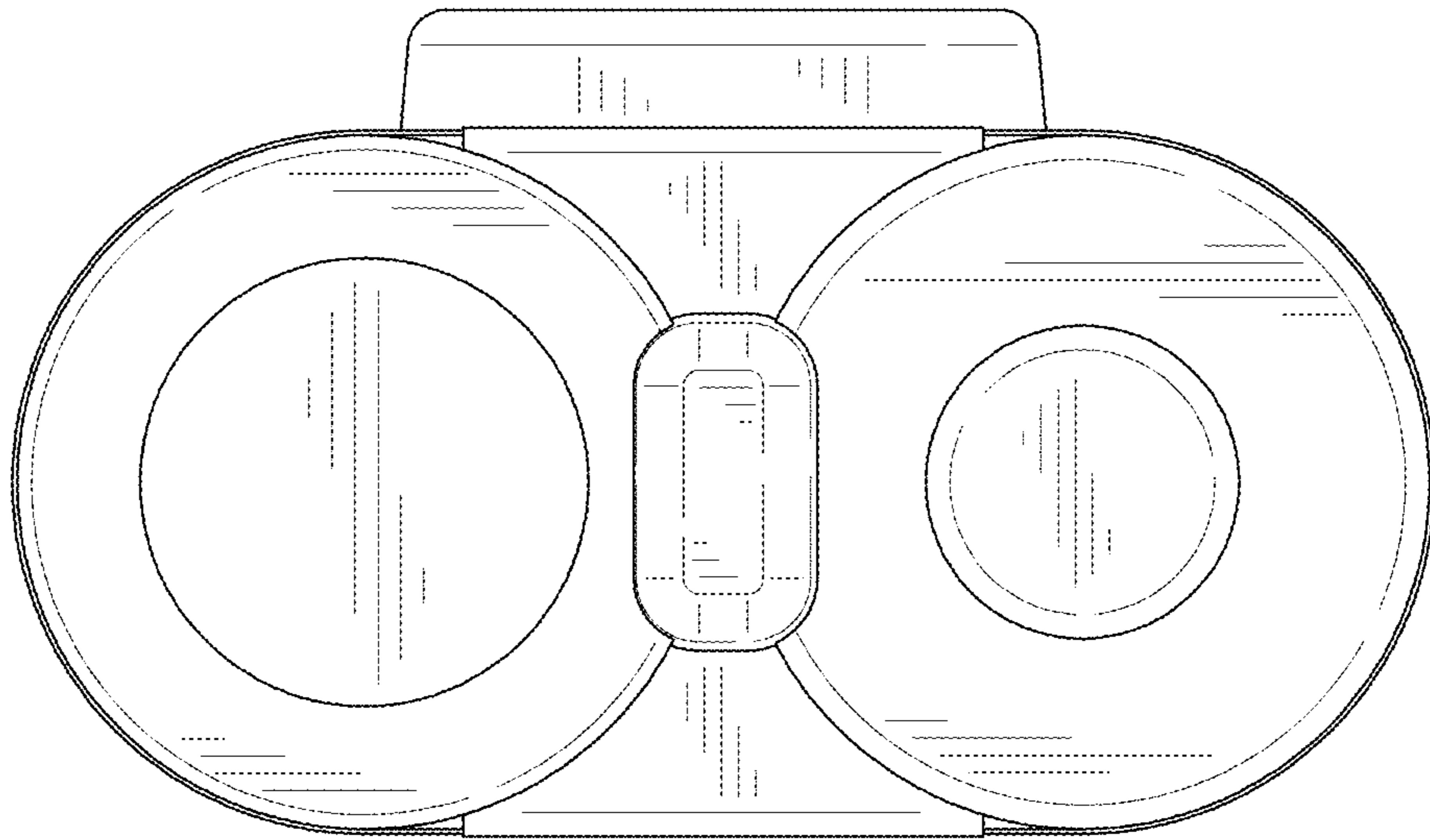


FIG. 8