



US00D877063S

(12) **United States Design Patent**  
**Hung et al.**

(10) **Patent No.:** **US D877,063 S**  
(45) **Date of Patent:** **\*\* Mar. 3, 2020**

(54) **POWER EXPANSION ACCESSORY**

(71) Applicant: **Merry Electronics (Shenzhen) Co., Ltd.**, Shenzhen (CN)

(72) Inventors: **Yu-Ting Hung**, Taichung (TW);  
**Chung-Yi Huang**, Taichung (TW)

(73) Assignee: **Merry Electronics (Shenzhen) Co., Ltd.**, ShenZhen (CN)

(\*\*) Term: **15 Years**

(21) Appl. No.: **29/631,763**

(22) Filed: **Jan. 3, 2018**

(51) **LOC (12) Cl.** ..... **13-02**

(52) **U.S. Cl.**  
USPC ..... **D13/103**

(58) **Field of Classification Search**  
USPC ..... D13/102–110, 118–119, 184, 199;  
D14/356, 432

CPC ..... Y02E 60/10; Y02E 60/12; Y02E 60/122;  
Y02E 60/124; Y02E 60/50; H01M 2/02;  
H01M 2/022; H01M 2/0202; H01M  
2/0207; H01M 2/0212; H01M 2/1061;  
H01M 2/1022; H01M 2/1055; H01M  
2/1066; H01M 2/105; H01M 2/20; H01M  
2/204; H01M 2/206; H01M 10/44; H01M  
10/46; H01M 10/465; H01M 10/482;  
H01M 2200/30; H01M 2250/30; H01M  
2250/40; H02J 7/00; H02J 7/0003; H02J  
7/0011; H02J 7/0013; H02J 7/0054; H02J  
7/0055; H02J 7/0057; H02J 2007/0062

See application file for complete search history.

(56) **References Cited**

**U.S. PATENT DOCUMENTS**

5,982,141 A \* 11/1999 Hinohara ..... G06F 1/1632  
320/113  
D438,508 S \* 3/2001 Stanford ..... D13/103

D622,659 S \* 8/2010 Soeda ..... D13/103  
D663,264 S \* 7/2012 London ..... D13/103  
D723,456 S \* 3/2015 Currah ..... D13/103  
D727,254 S \* 4/2015 Kinoshita ..... D13/103  
D795,184 S \* 8/2017 Jung ..... D13/103  
D832,245 S \* 10/2018 Jeon ..... D14/250

(Continued)

*Primary Examiner* — Nathaniel D. Buckner

(74) *Attorney, Agent, or Firm* — JCIPRNET

(57) **CLAIM**

The ornamental design for a power expansion accessory, as shown and described.

**DESCRIPTION**

FIG. 1 is a top right front perspective view of a power expansion accessory showing a first embodiment of our new design;

FIG. 2 is a front elevation view thereof;

FIG. 3 is a rear elevation view thereof;

FIG. 4 is a left side elevation view thereof;

FIG. 5 is a right side elevation view thereof;

FIG. 6 is a top plan view thereof;

FIG. 7 is a bottom plan view thereof;

FIG. 8 is a top right front perspective view thereof, shown in an environment of use;

FIG. 9 is a top right front perspective view of a power expansion accessory showing a second embodiment of our new design;

FIG. 10 is a front elevation view thereof;

FIG. 11 is a rear elevation view thereof;

FIG. 12 is a left side elevation view thereof;

FIG. 13 is a right side elevation view thereof;

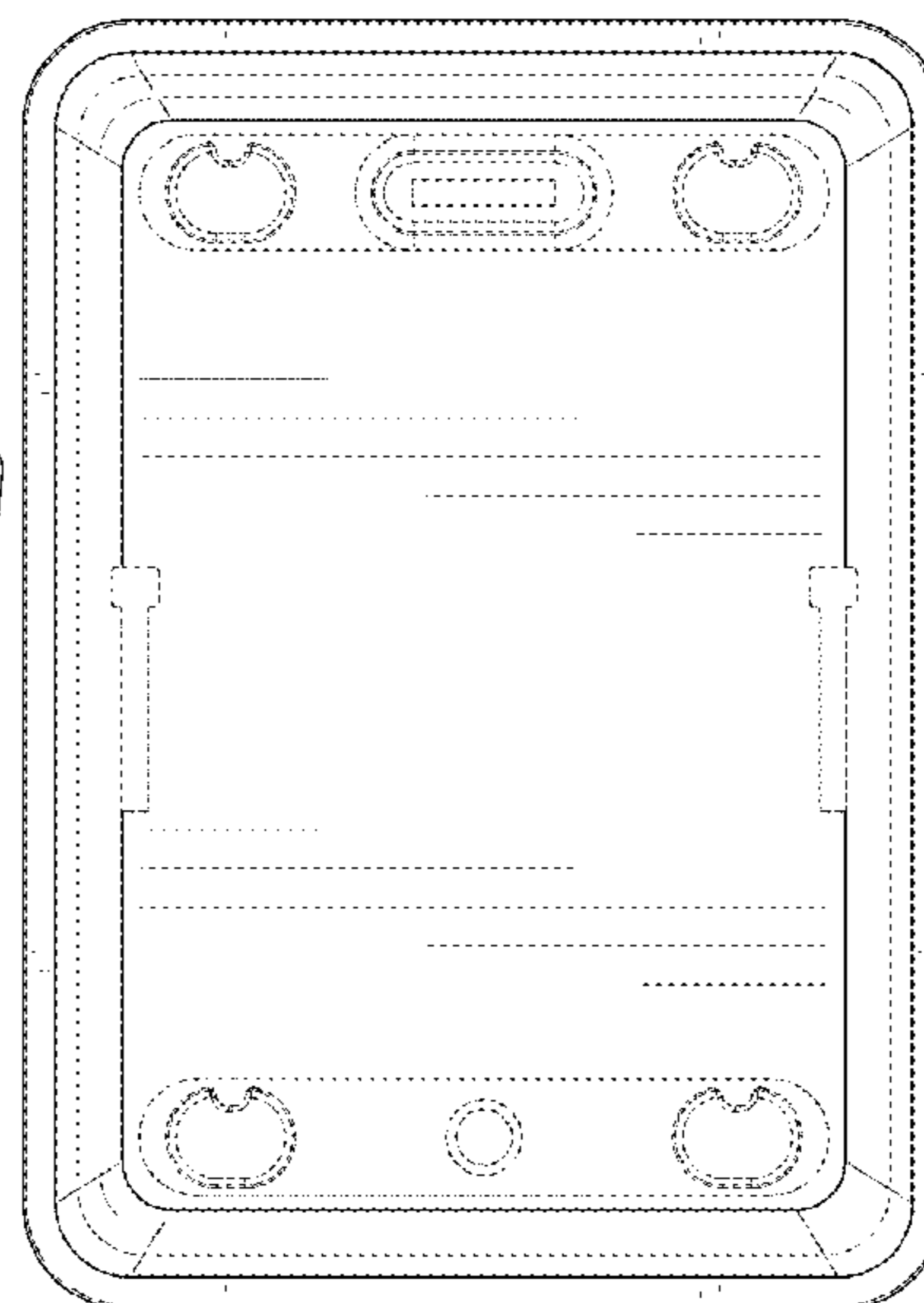
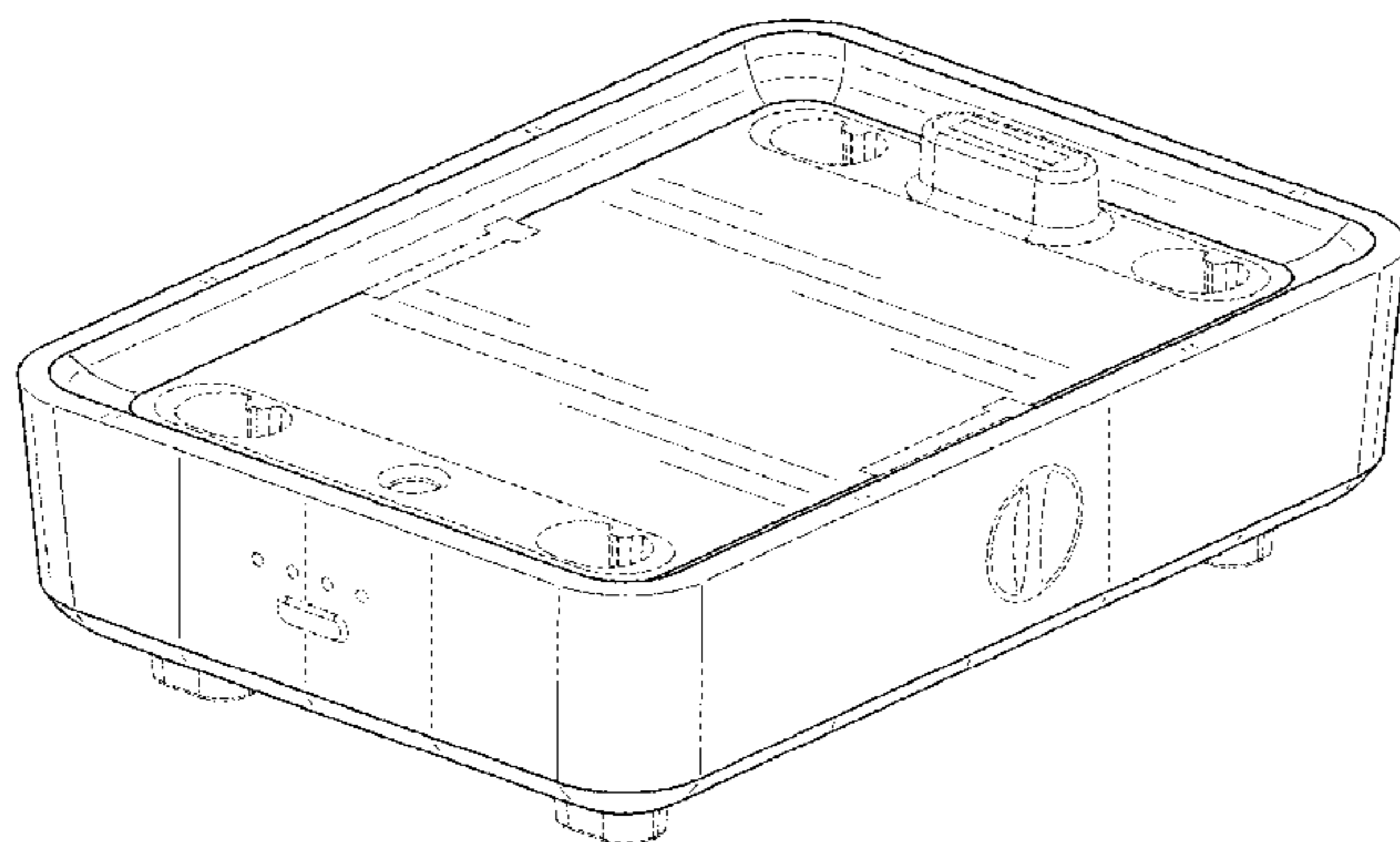
FIG. 14 is a top plan view thereof;

FIG. 15 is a bottom plan view thereof; and,

FIG. 16 is top right front perspective view thereof, shown in an environment use.

The broken lines shown in the figures depict portions of the power expansion accessory and environmental subject matter that form no part of the claimed design.

**1 Claim, 12 Drawing Sheets**



(56)

**References Cited**

U.S. PATENT DOCUMENTS

D840,333 S \* 2/2019 Cooper ..... D13/103  
2012/0177960 A1\* 7/2012 Tasai ..... B60H 1/00278  
429/72  
2013/0057212 A1\* 3/2013 Feuell ..... H02J 7/0031  
320/109  
2017/0170859 A1\* 6/2017 Noori ..... H04B 1/3883  
2017/0214263 A1\* 7/2017 Fathollahi ..... H02J 7/0044

\* cited by examiner

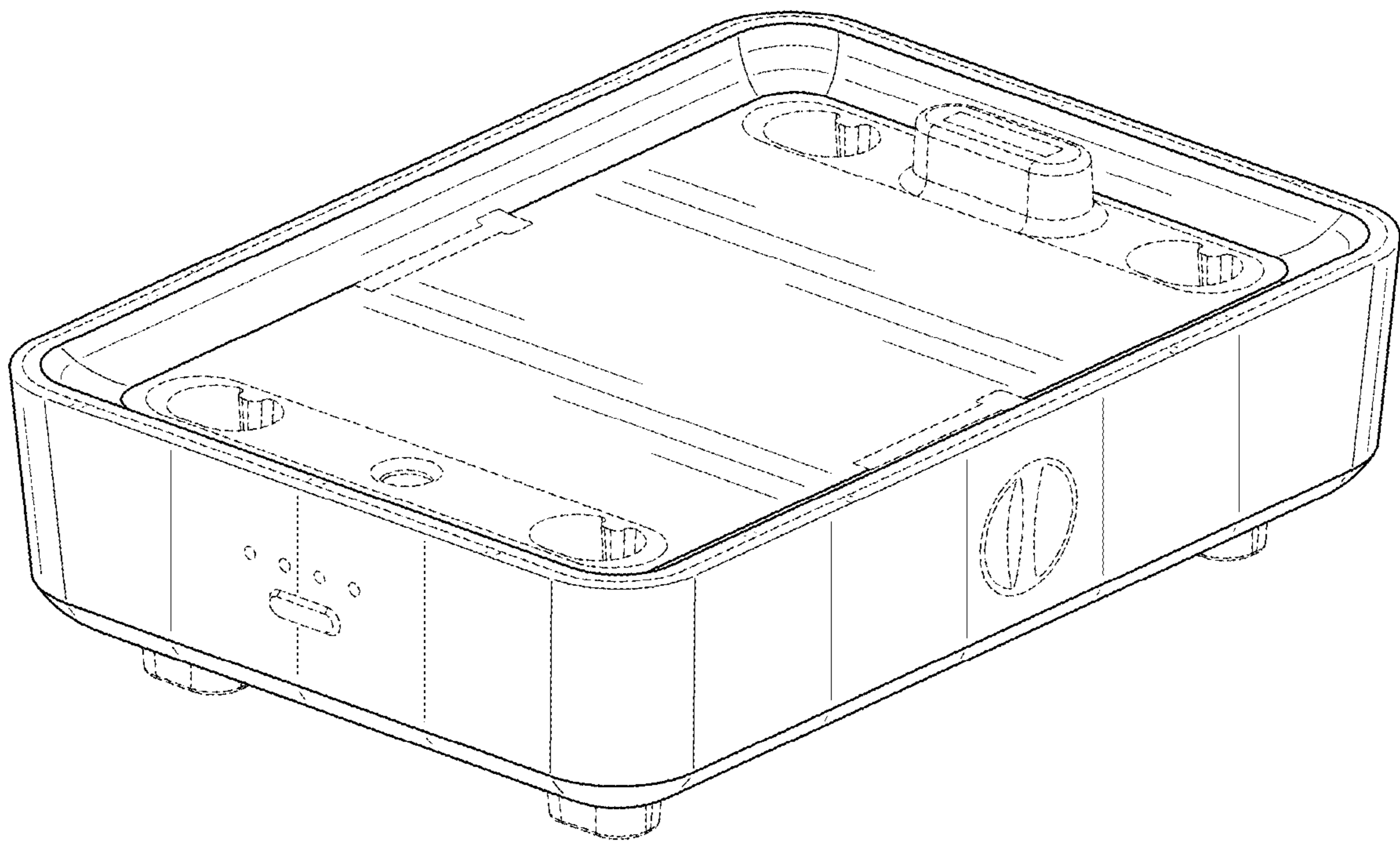


FIG. 1

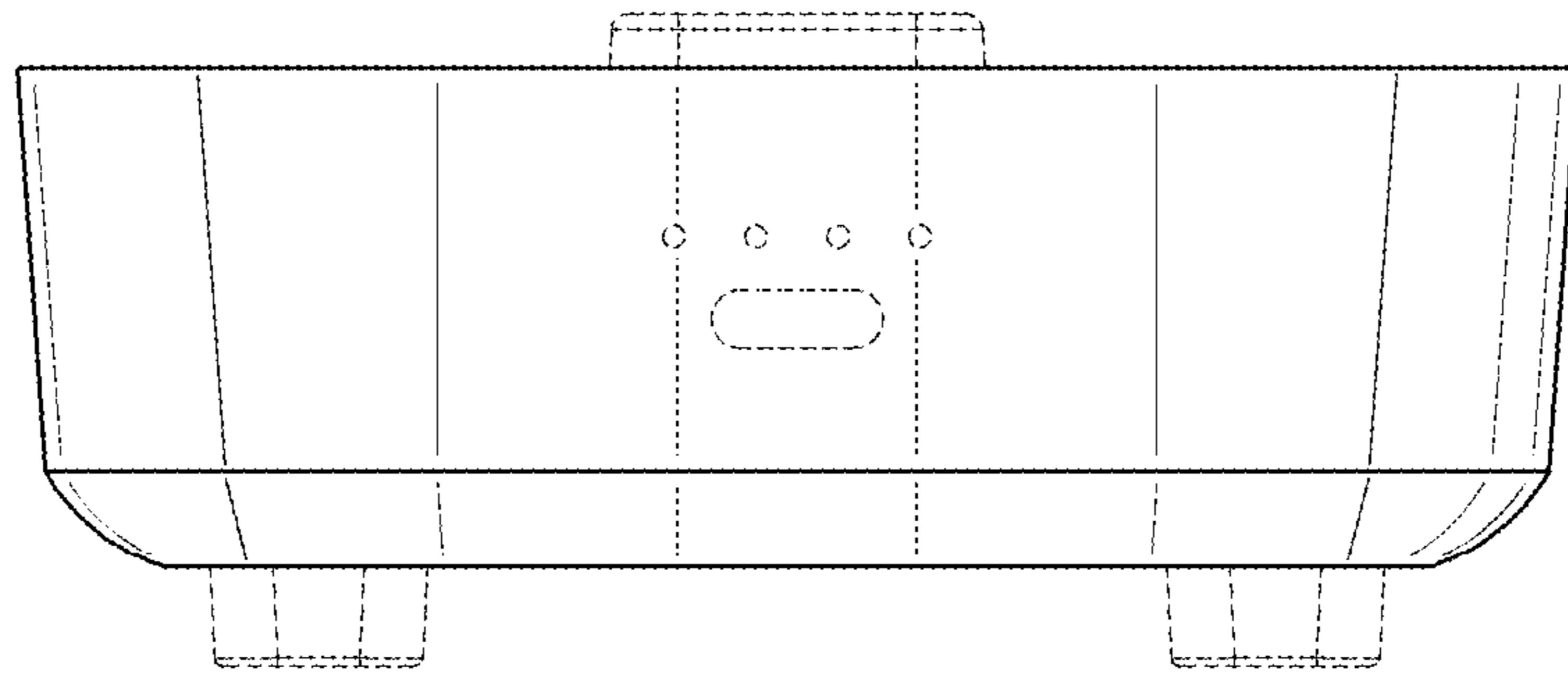


FIG. 2

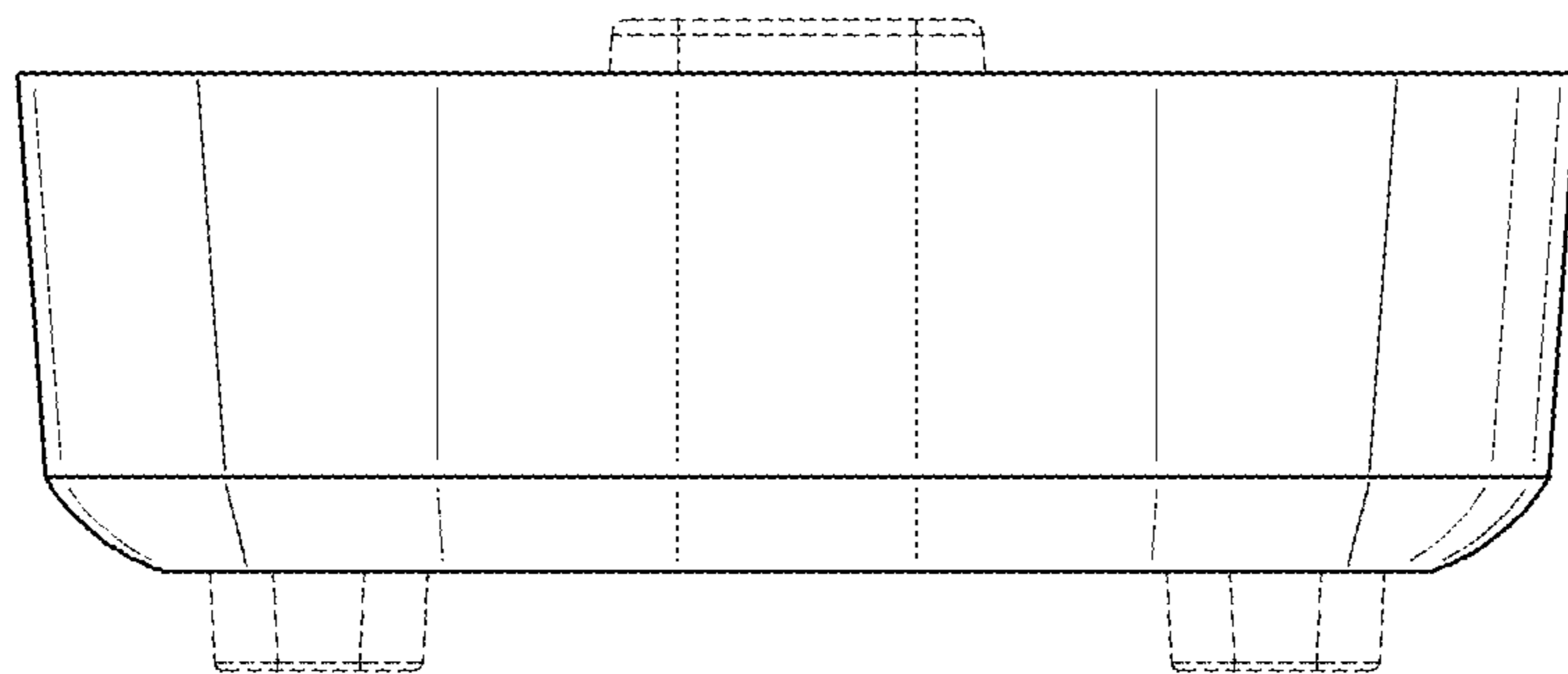


FIG. 3

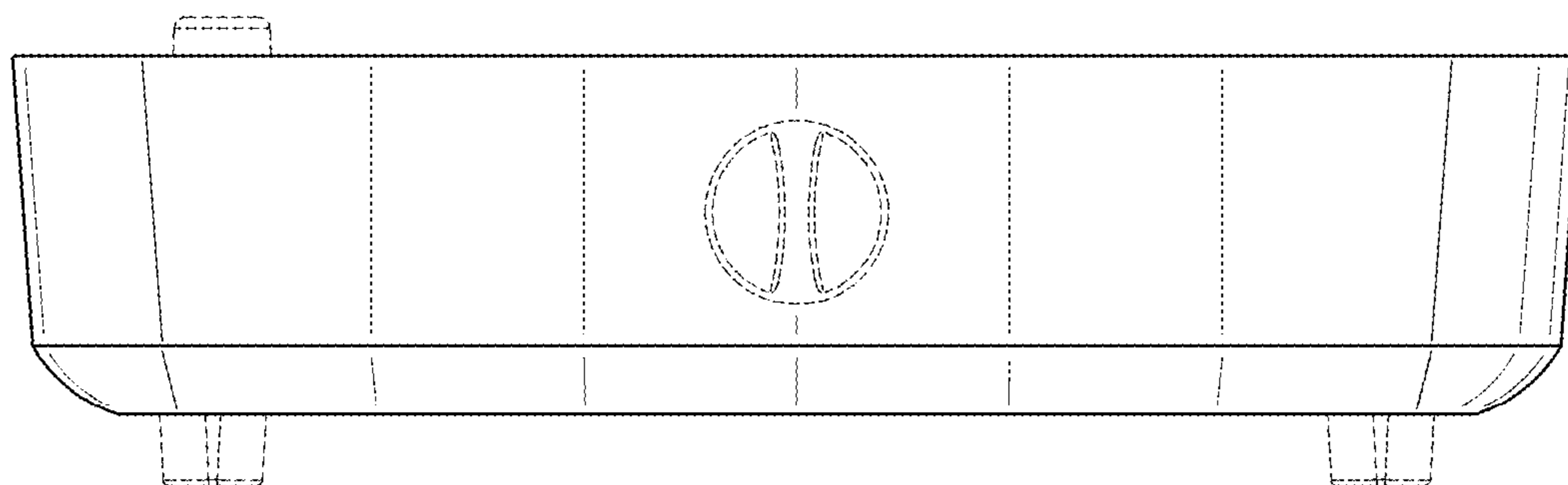


FIG. 4

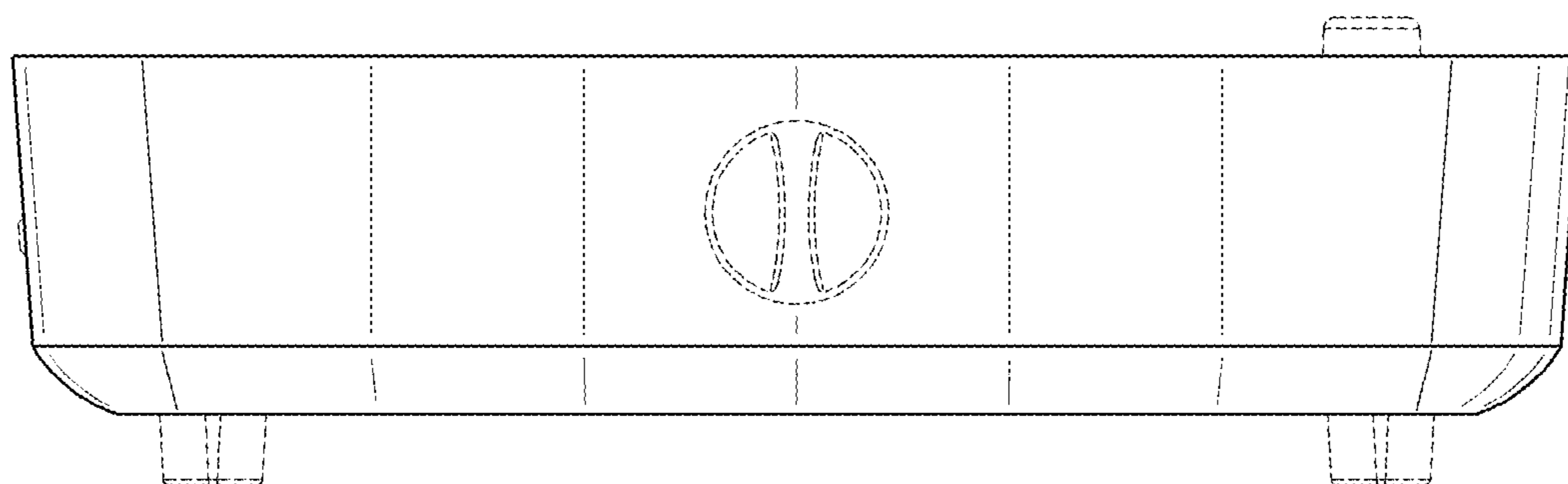


FIG. 5

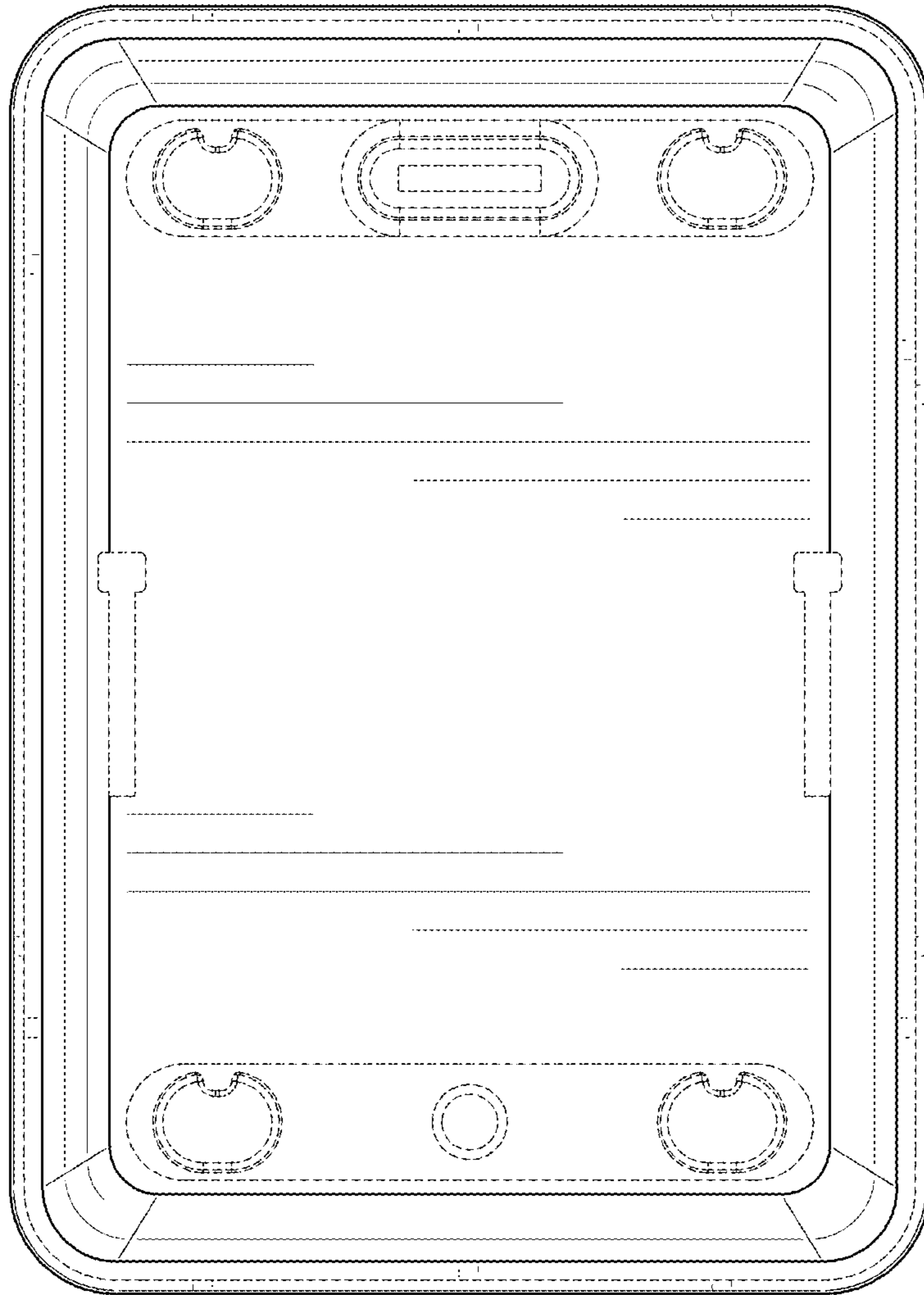


FIG. 6

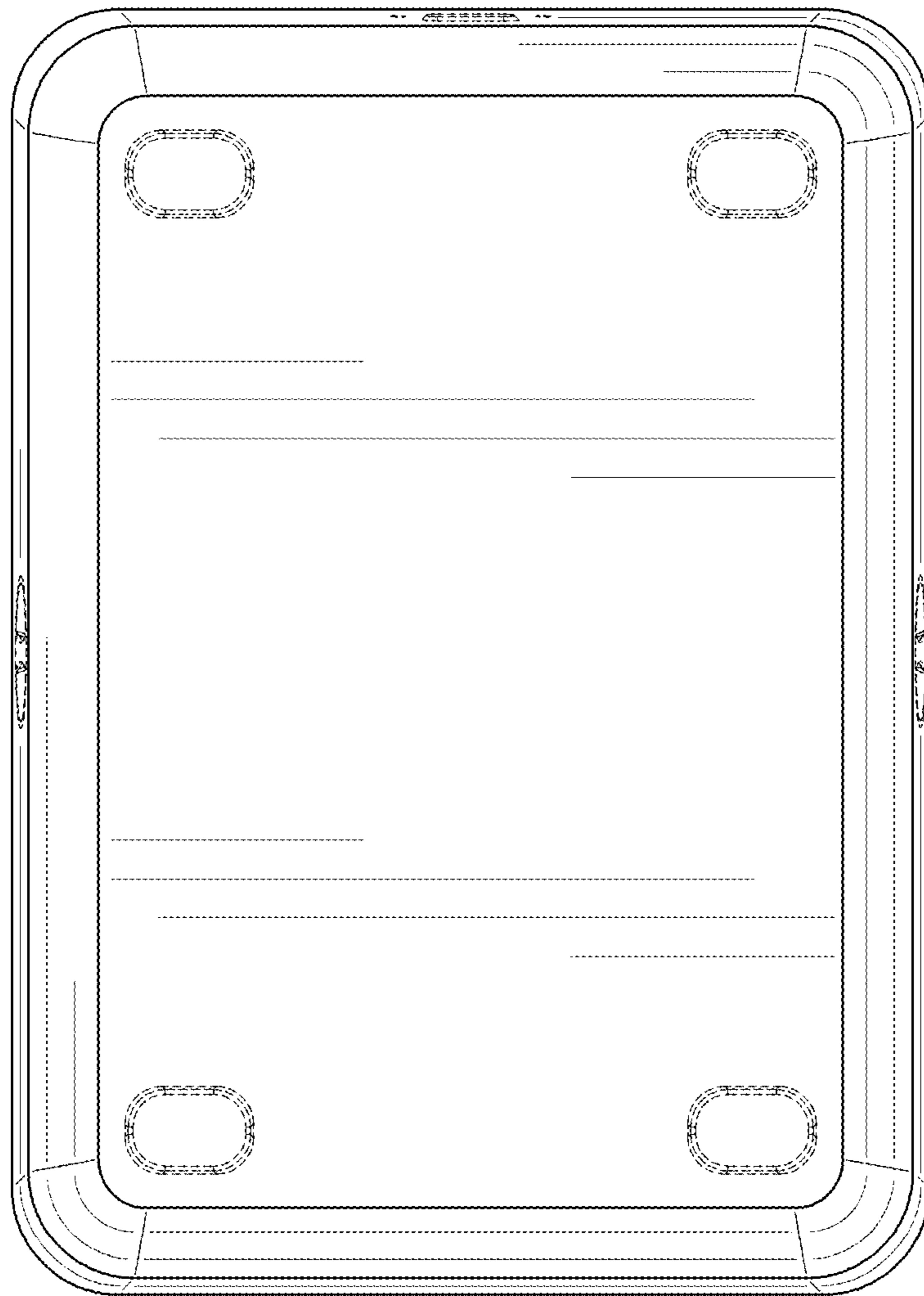


FIG. 7

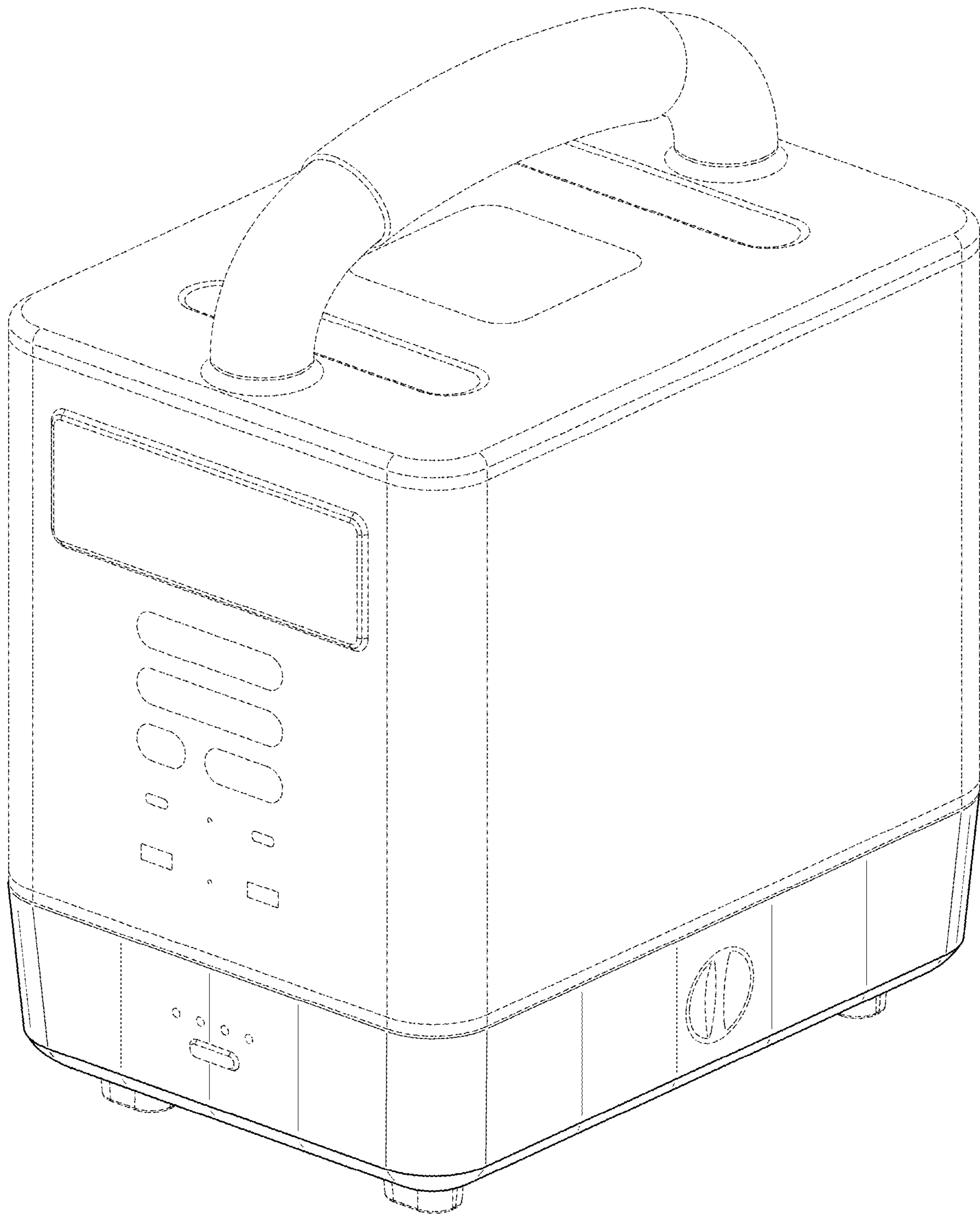


FIG. 8



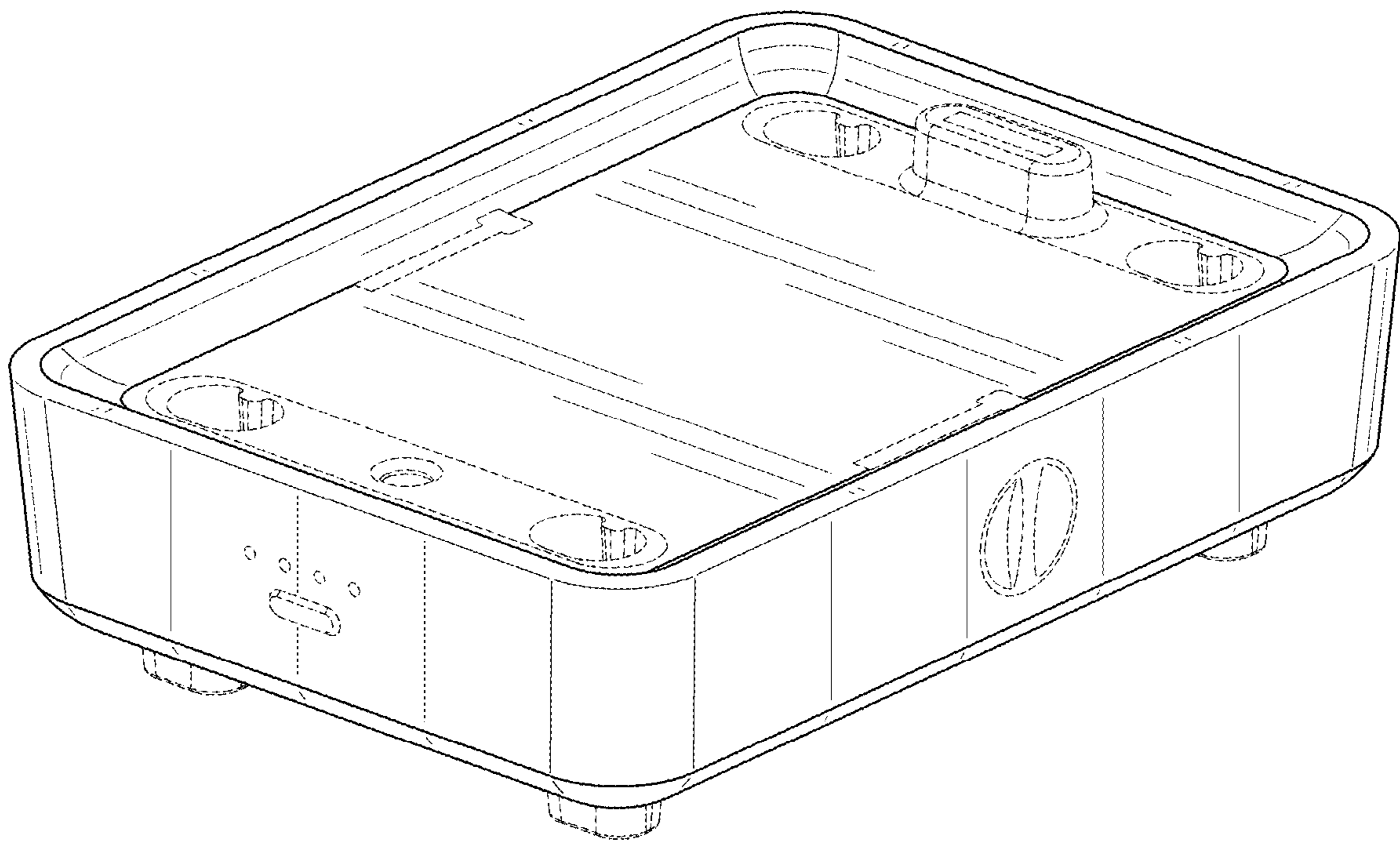


FIG. 9

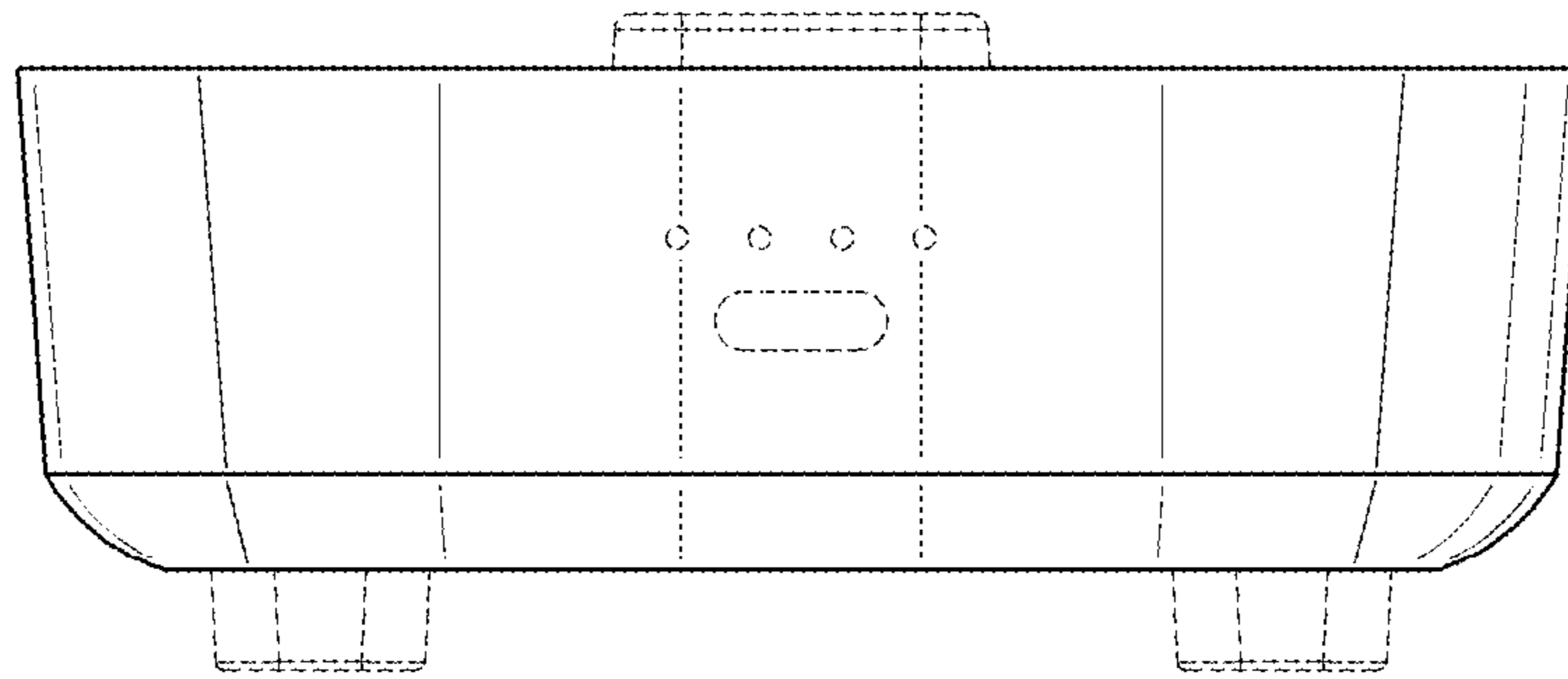


FIG. 10

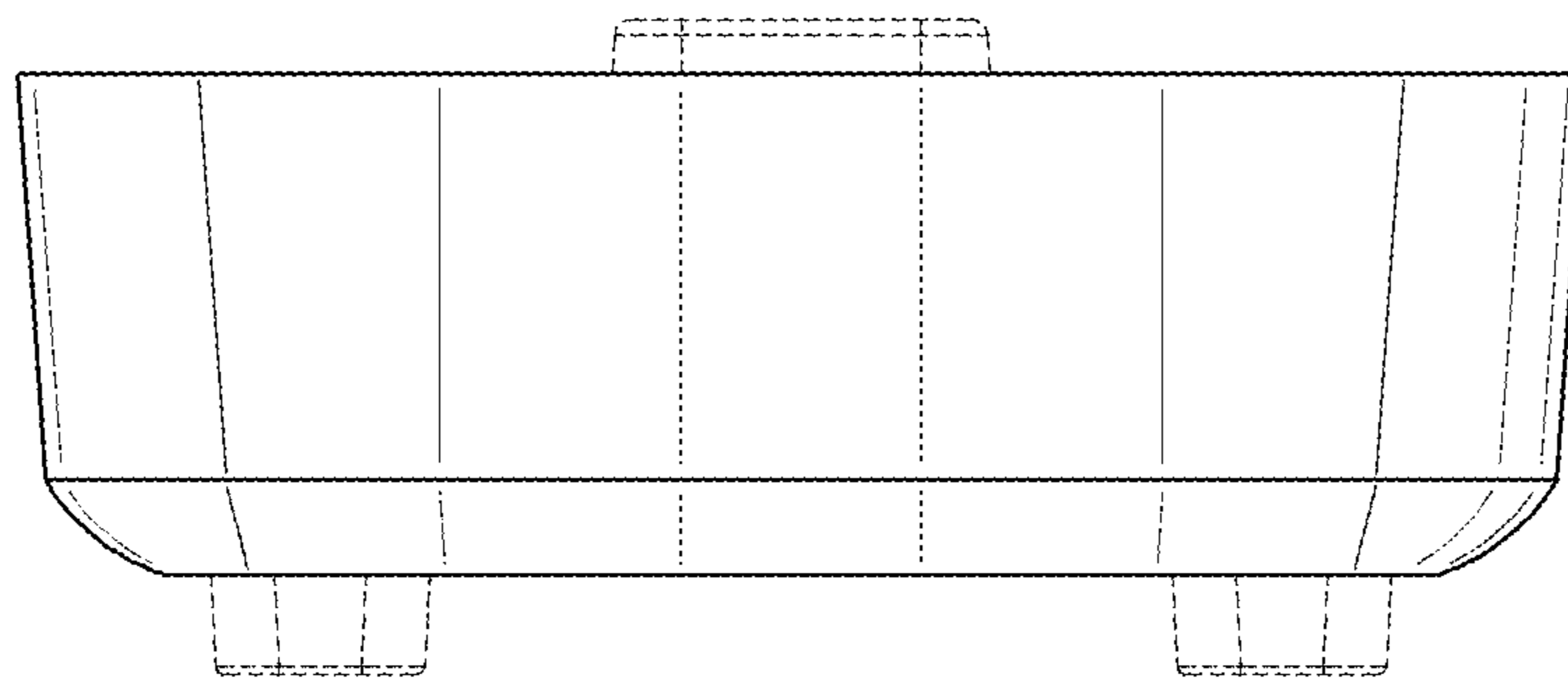


FIG. 11

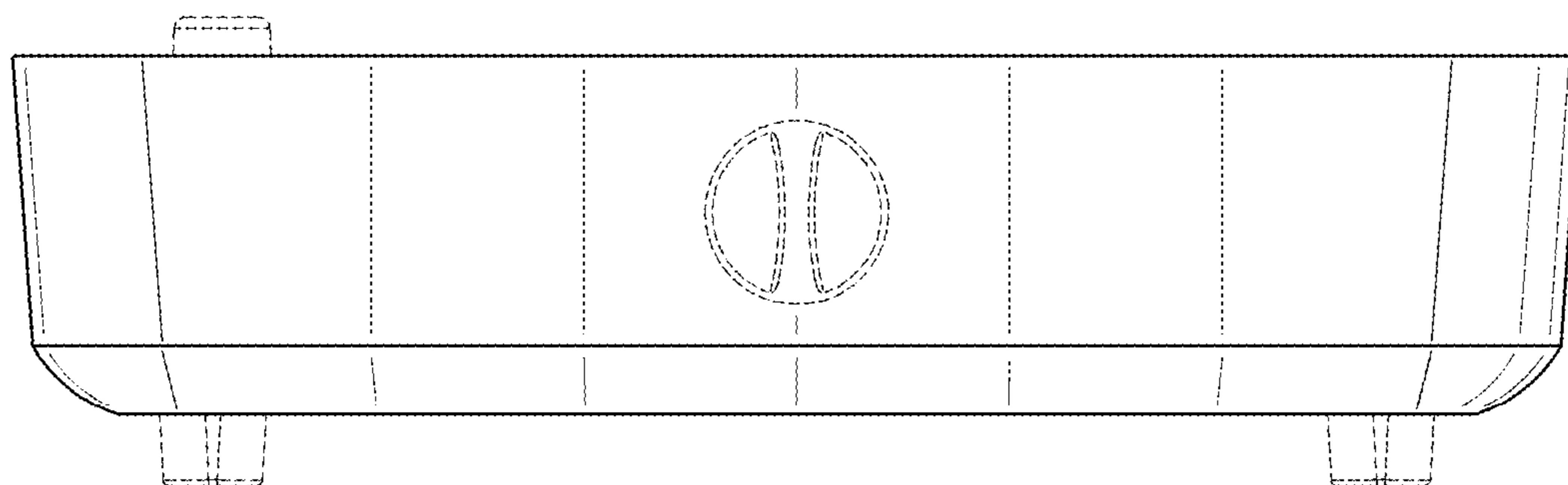


FIG. 12

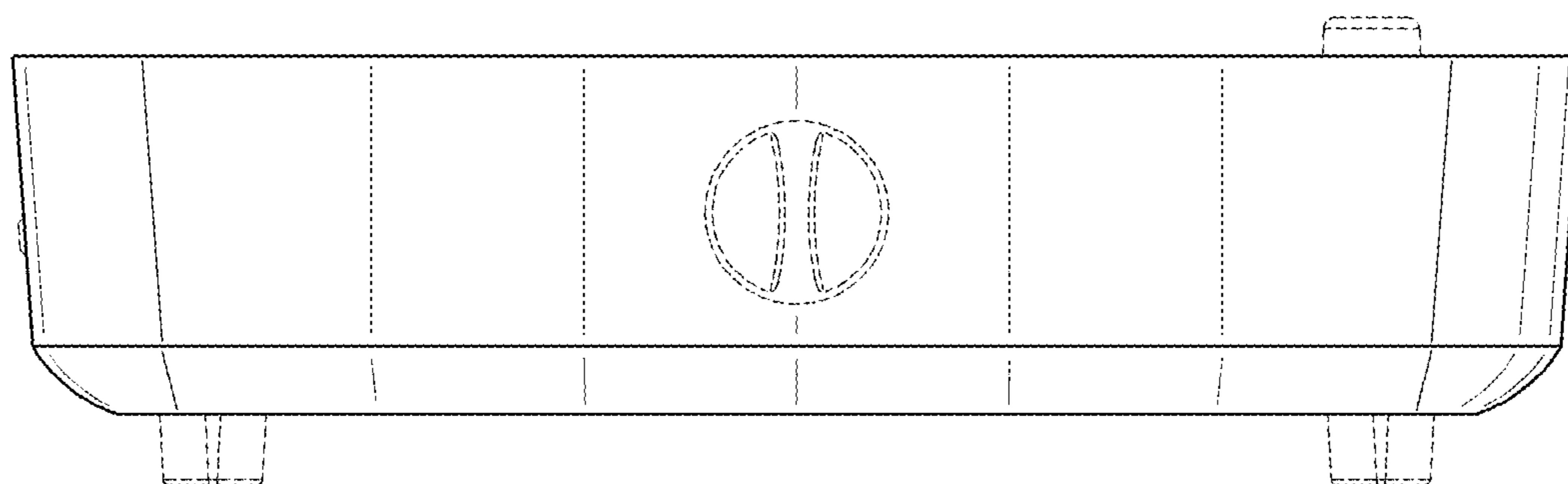


FIG. 13

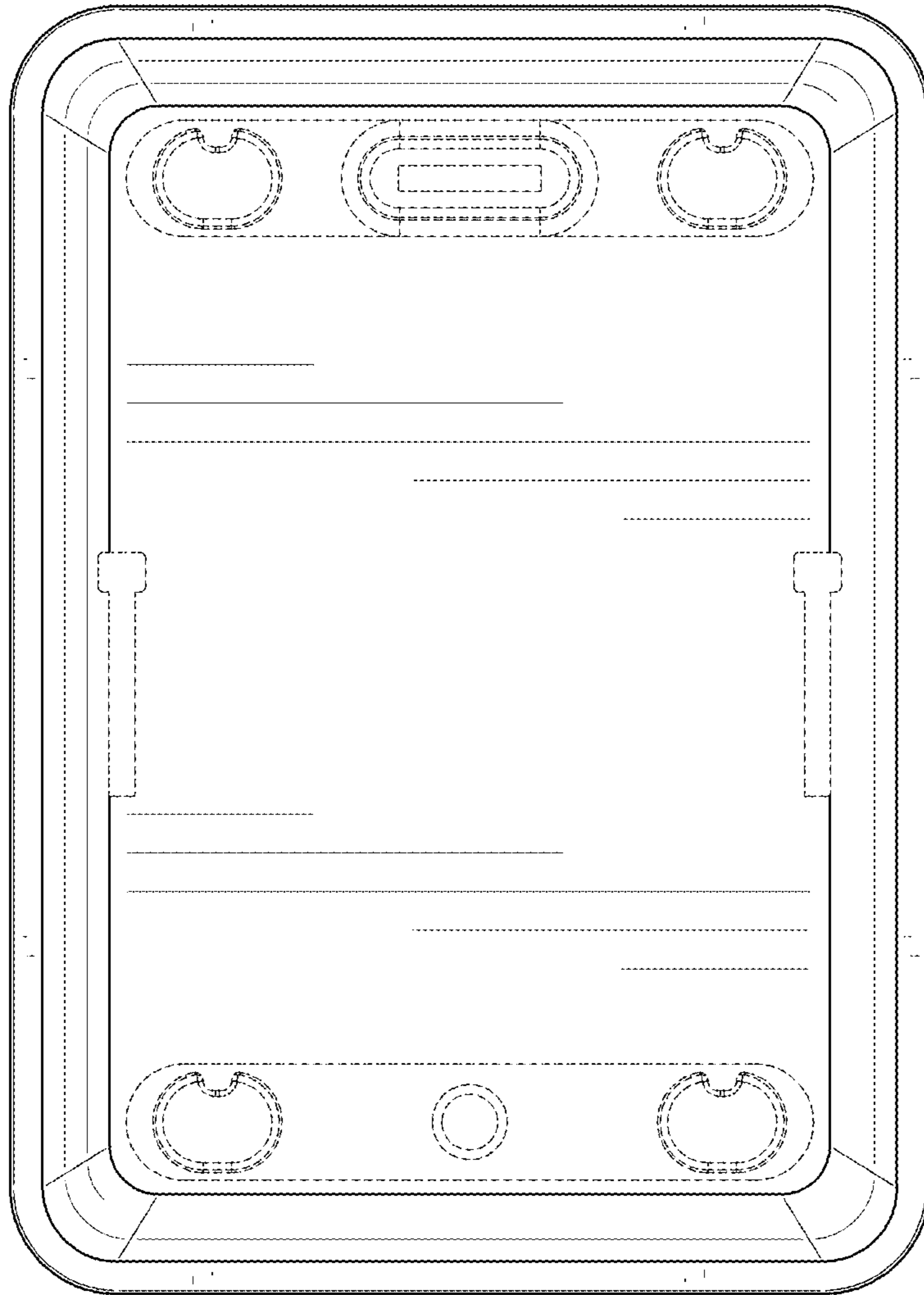


FIG. 14

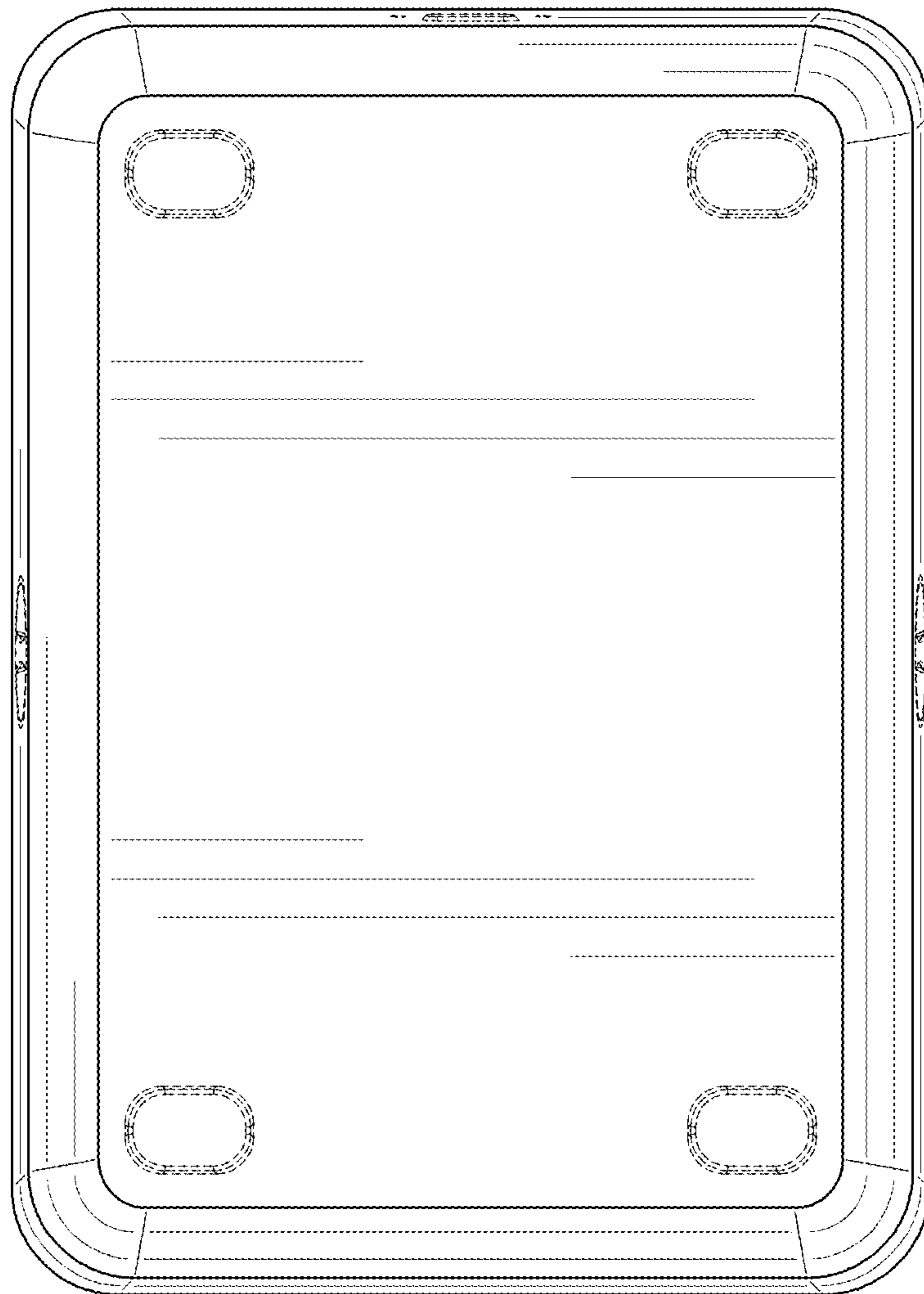


FIG. 15

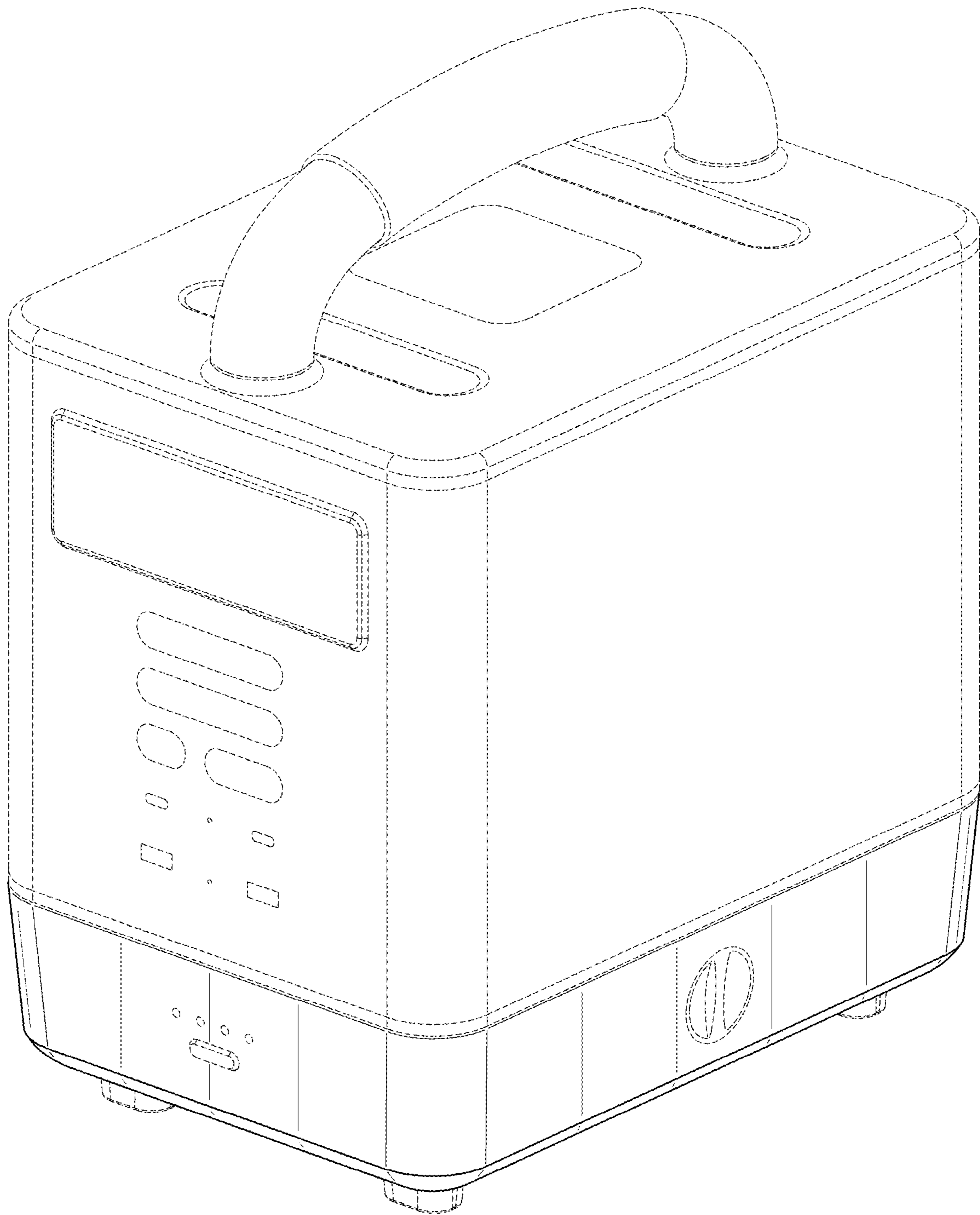


FIG. 16