



US00D877062S

(12) **United States Design Patent**
Yin et al.

(10) **Patent No.:** **US D877,062 S**
(45) **Date of Patent:** **** Mar. 3, 2020**

(54) **PORTABLE SOLAR POWER SUPPLY**

(71) Applicant: **SHENZHEN POWEROAK
NEWENER CO., LTD**, Shenzhen (CN)

(72) Inventors: **Xiangzhu Yin**, Shenzhen (CN);
Zhiliang Liu, Shenzhen (CN);
Huisheng Guo, Shenzhen (CN)

(73) Assignee: **SHENZHEN POWEROAK
NEWENER CO., LTD**, Shenzhen (CN)

(**) Term: **15 Years**

(21) Appl. No.: **29/646,265**

(22) Filed: **May 2, 2018**

(51) **LOC (12) Cl.** **13-02**

(52) **U.S. Cl.**
USPC **D13/102**

(58) **Field of Classification Search**
USPC D26/37, 38, 39, 40, 41, 42, 43, 44, 45,
D26/46, 47, 48, 49, 50; D24/170, 232,
D24/144, 138, 169; D14/137, 168, 188,
D14/189; D13/102, 110, 112, 116
CPC A61B 18/1206; A61B 18/1402; A61B
18/1815; H01R 13/641; G05B 15/02
See application file for complete search history.

(56) **References Cited**

U.S. PATENT DOCUMENTS

4,105,314 A *	8/1978	Hughes, Jr.	G03B 23/105 310/75 B
D321,262 S *	10/1991	Yuen	D26/38
D354,054 S *	1/1995	Shitama	D14/129
D371,356 S *	7/1996	Maruyama	D14/129
D425,063 S *	5/2000	Takatsuka	D14/168

(Continued)

Primary Examiner — Susan Bennett Hattan
Assistant Examiner — Suzanne E Tisdell

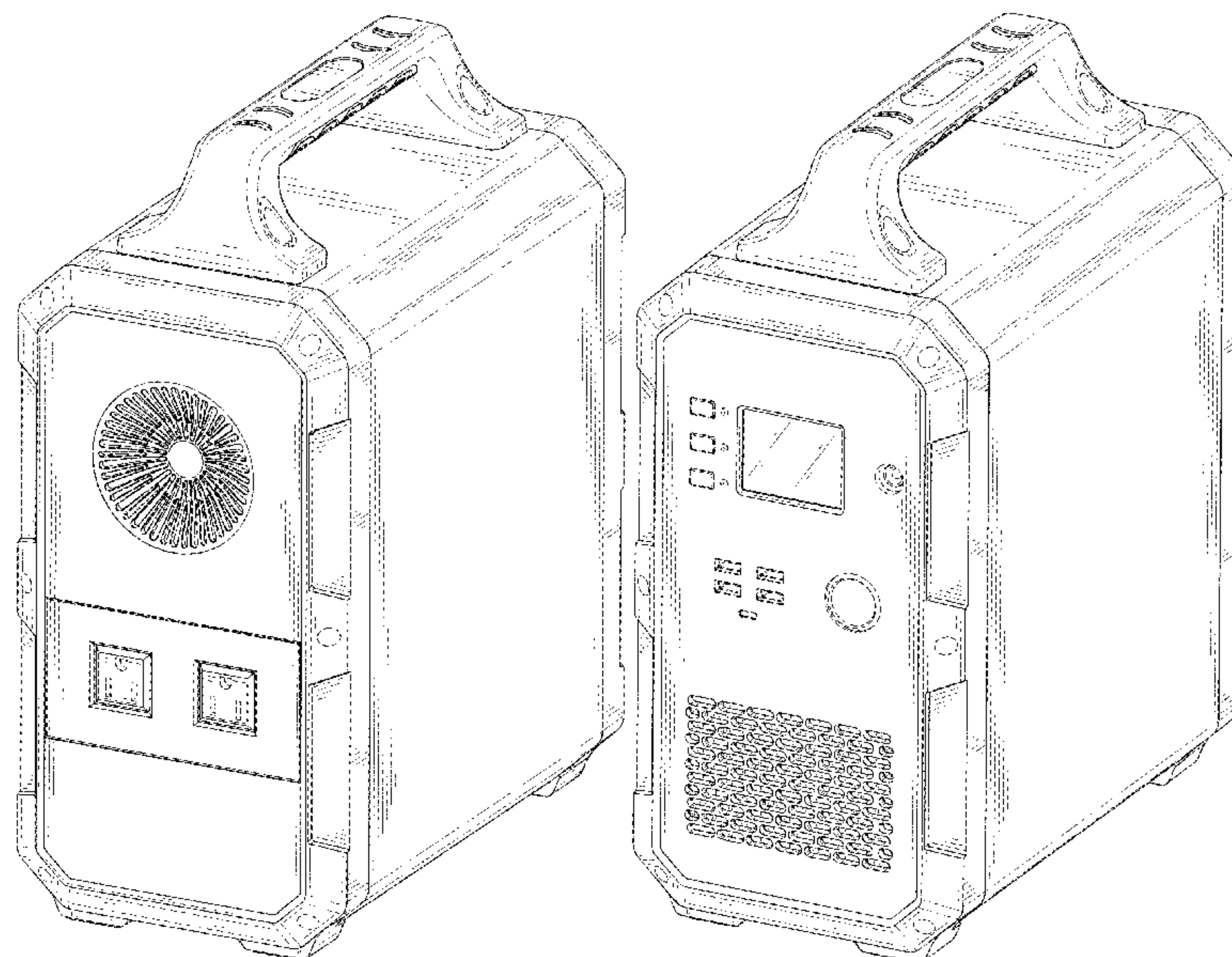
(57) **CLAIM**

The ornamental design for a portable solar power supply, as shown and described.

DESCRIPTION

FIG. 1 is a perspective view of a first embodiment of an ornamental design for a portable solar power supply showing our new design;
 FIG. 2 is a perspective view viewed from another angle thereof;
 FIG. 3 is a front view thereof;
 FIG. 4 is a rear view thereof;
 FIG. 5 is a left side view thereof;
 FIG. 6 is a right side view thereof;
 FIG. 7 is a top view thereof;
 FIG. 8 is a bottom view thereof;
 FIG. 9 is a perspective view of a second embodiment of an ornamental design for a portable solar power supply showing our new design;
 FIG. 10 is a front view thereof;
 FIG. 11 is a perspective view of a third embodiment of an ornamental design for a portable solar power supply showing our new design; and,
 FIG. 12 is a front view thereof.
 Perspective view viewed from another angle, rear view, left side view, right side view, top view and bottom view of the second embodiment have been omitted since they are identical to FIGS. 2, 4, 5, 6, 7 and 8, respectively.
 Perspective view viewed from another angle, rear view, left side view, right side view, top view and bottom view of the third embodiment have been omitted since they are identical to FIGS. 2, 4, 5, 6, 7 and 8, respectively.
 The diagonal lines in the figures indicate transparency.
 The broken lines in the figures are for environmental purposes only and form no part of the claimed design.
 Any shading and cross-hatching are not features of the design but are utilized to illustrate the surface contours of the portable solar power supply in the drawings.

1 Claim, 12 Drawing Sheets



(56)

References Cited

U.S. PATENT DOCUMENTS

D472,005	S	*	3/2003	Poon	D26/38
D474,552	S	*	5/2003	Poon	D26/38
D479,889	S	*	9/2003	Poon	D26/38
D484,626	S	*	12/2003	Hanselman	D26/38
D485,383	S	*	1/2004	Hanselman	D26/38
D521,929	S	*	5/2006	Xiao	D13/116
D567,417	S	*	4/2008	Wu	D26/37
D586,291	S	*	2/2009	Wei	D13/102
D593,236	S	*	5/2009	Ng	D26/37
D609,634	S	*	2/2010	Daniels	D13/107
D630,581	S	*	1/2011	Xu	D13/116
D654,469	S	*	2/2012	Kawase	D14/168
D662,881	S	*	7/2012	He	D13/116
D670,239	S	*	11/2012	Kannou	D13/102
D690,738	S	*	10/2013	York	D14/188
D699,874	S	*	2/2014	Chilton	D26/37
D710,301	S	*	8/2014	Ferro	D13/116
D729,728	S	*	5/2015	Inskeep	D13/107
D736,442	S	*	8/2015	Kovacik	D26/37
D773,992	S	*	12/2016	Krantz	D13/110
D774,674	S	*	12/2016	Hanwell	D26/50
D815,039	S	*	4/2018	Wen	D13/110
D818,619	S	*	5/2018	Hanwell	D26/37
D821,313	S	*	6/2018	Yang	D13/110
D821,314	S	*	6/2018	Yang	D13/110
D840,334	S	*	2/2019	Concari	D13/110
D851,255	S	*	6/2019	Fluxman	D24/169
D856,930	S	*	8/2019	Huang	D13/116

* cited by examiner

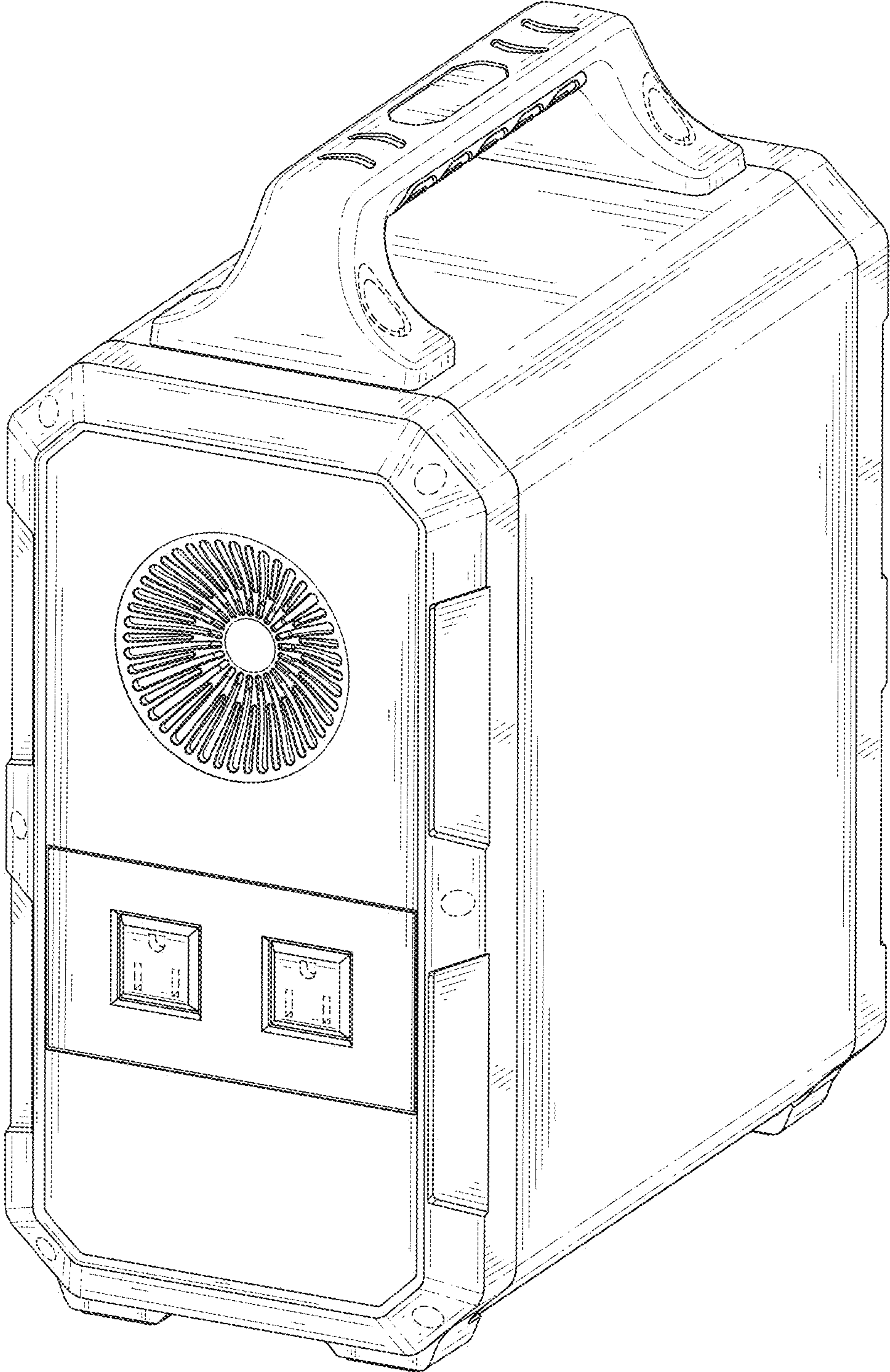


FIG. 1

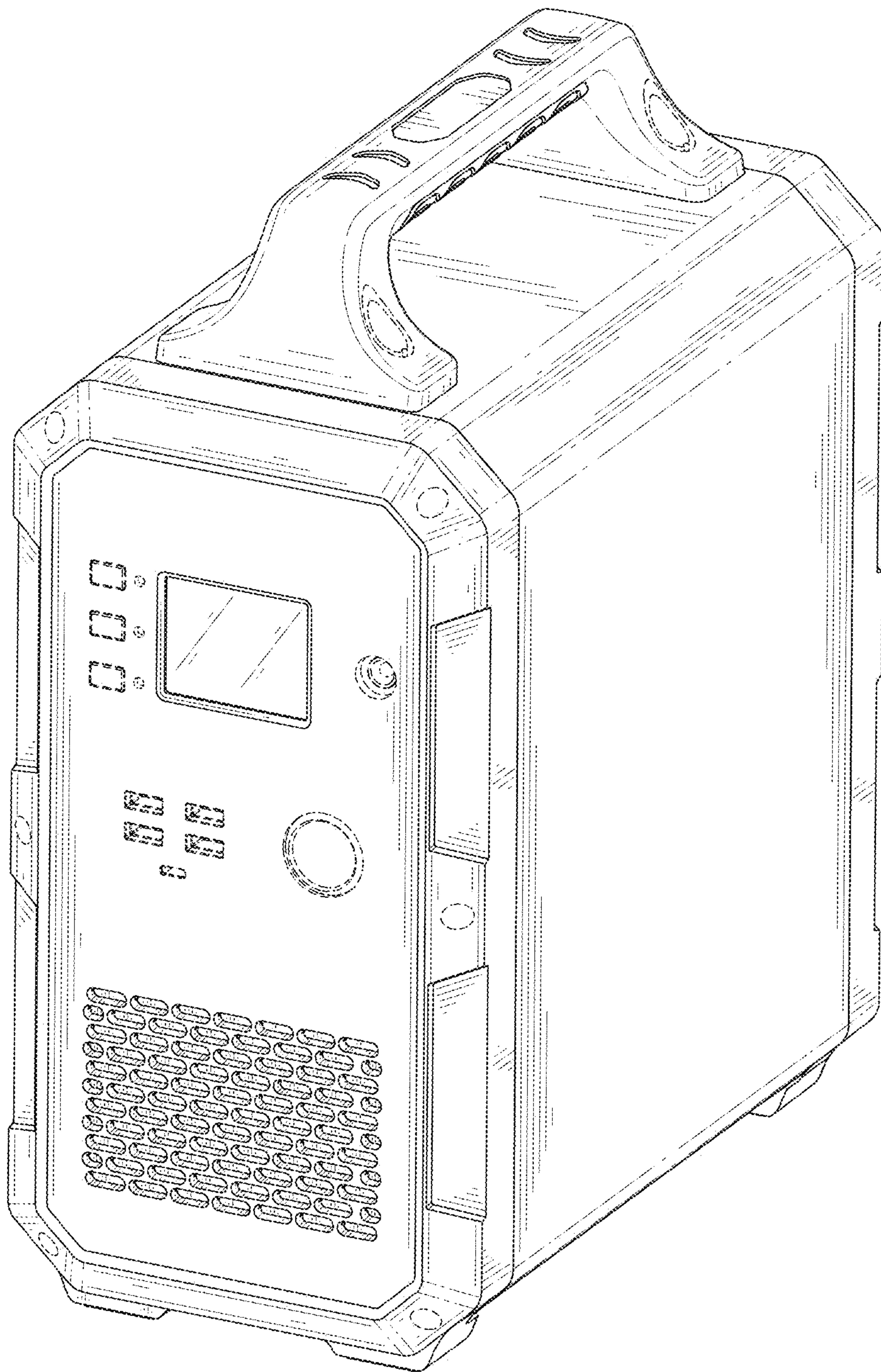


FIG. 2

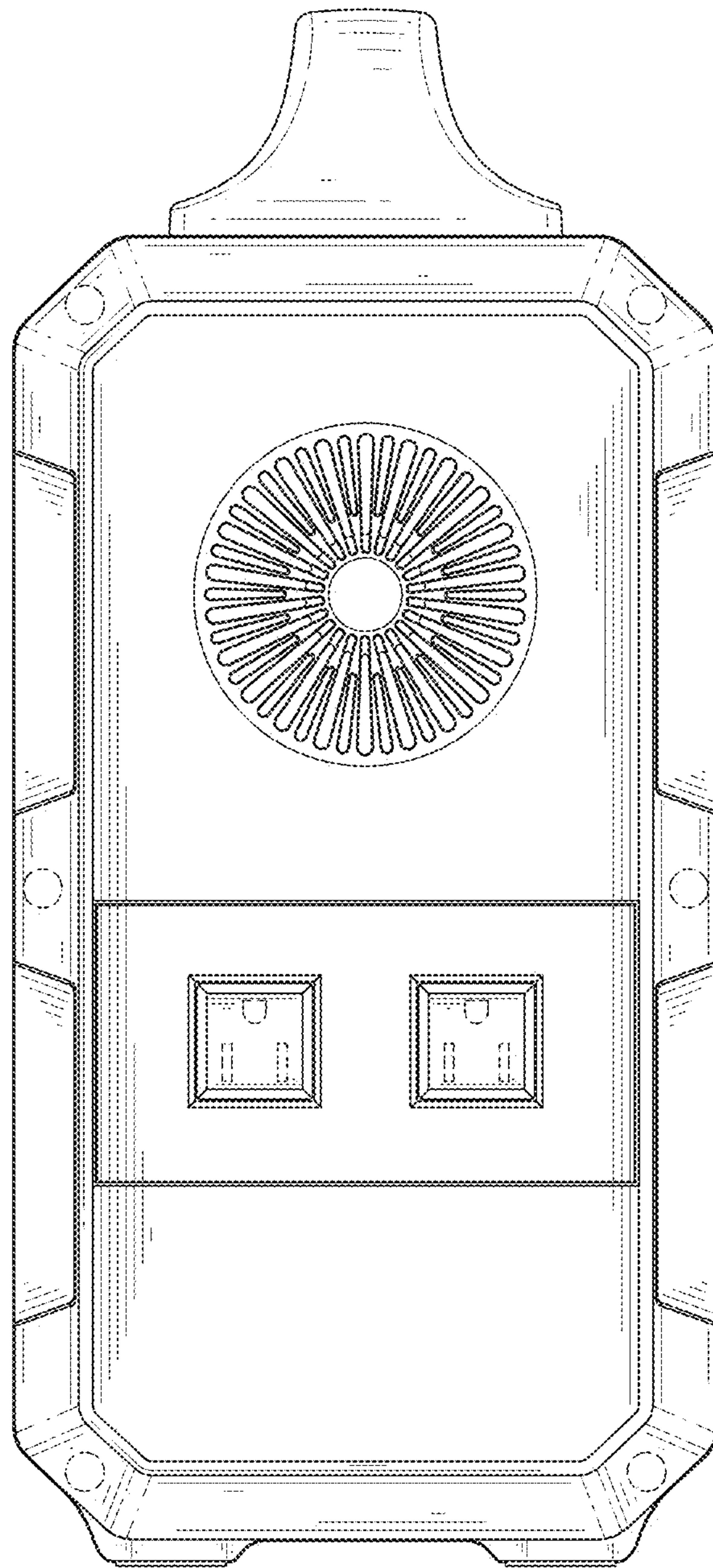


FIG. 3

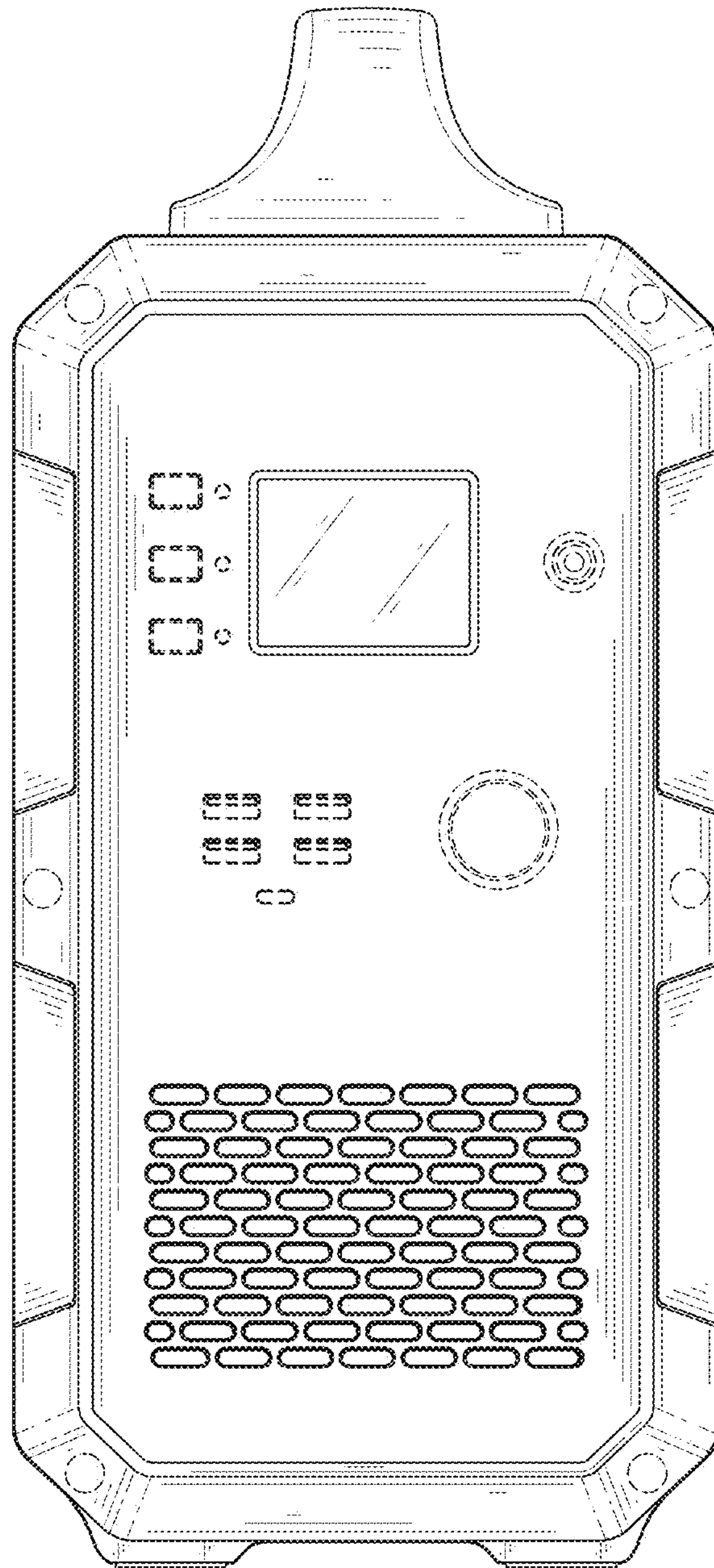


FIG. 4

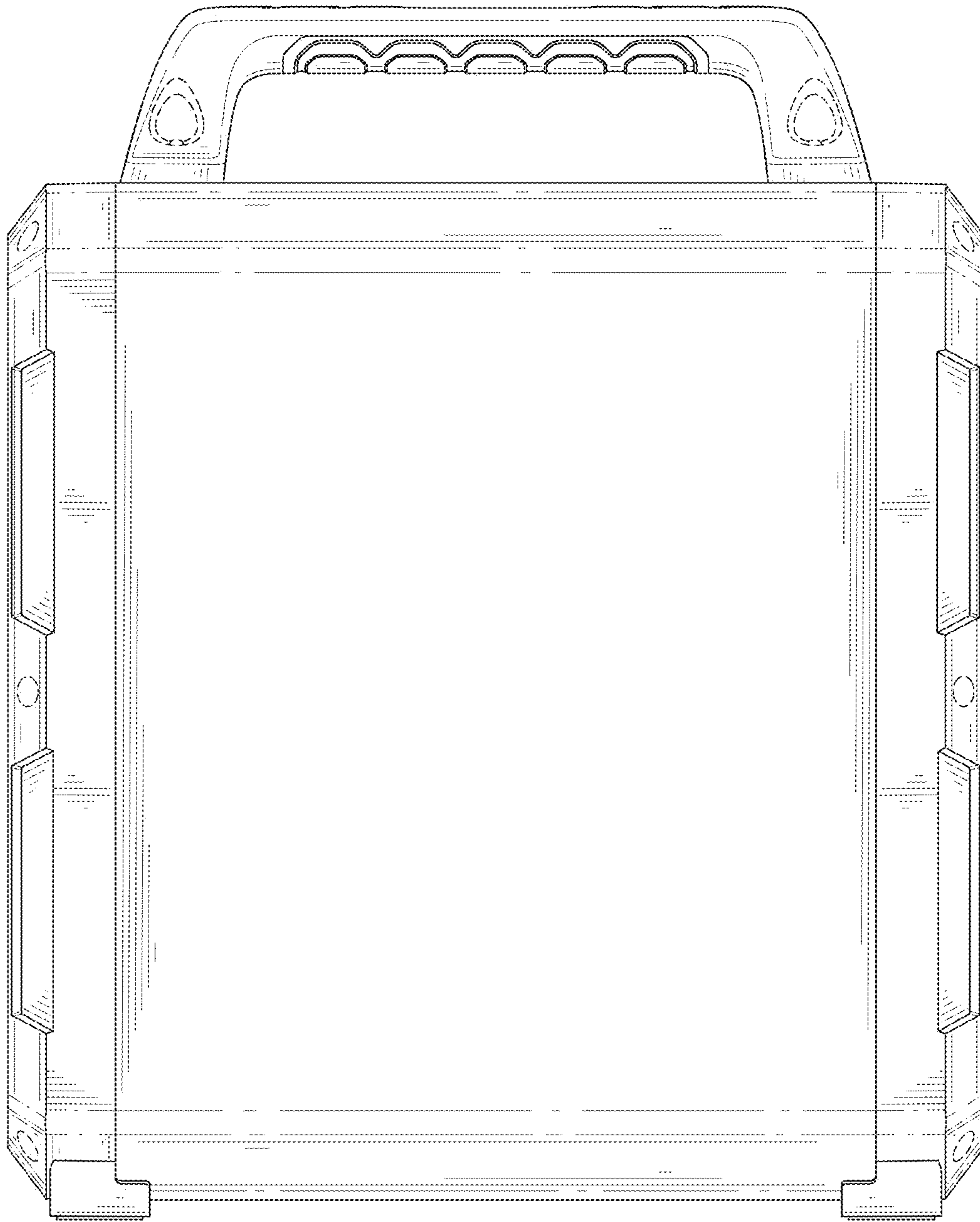


FIG. 5

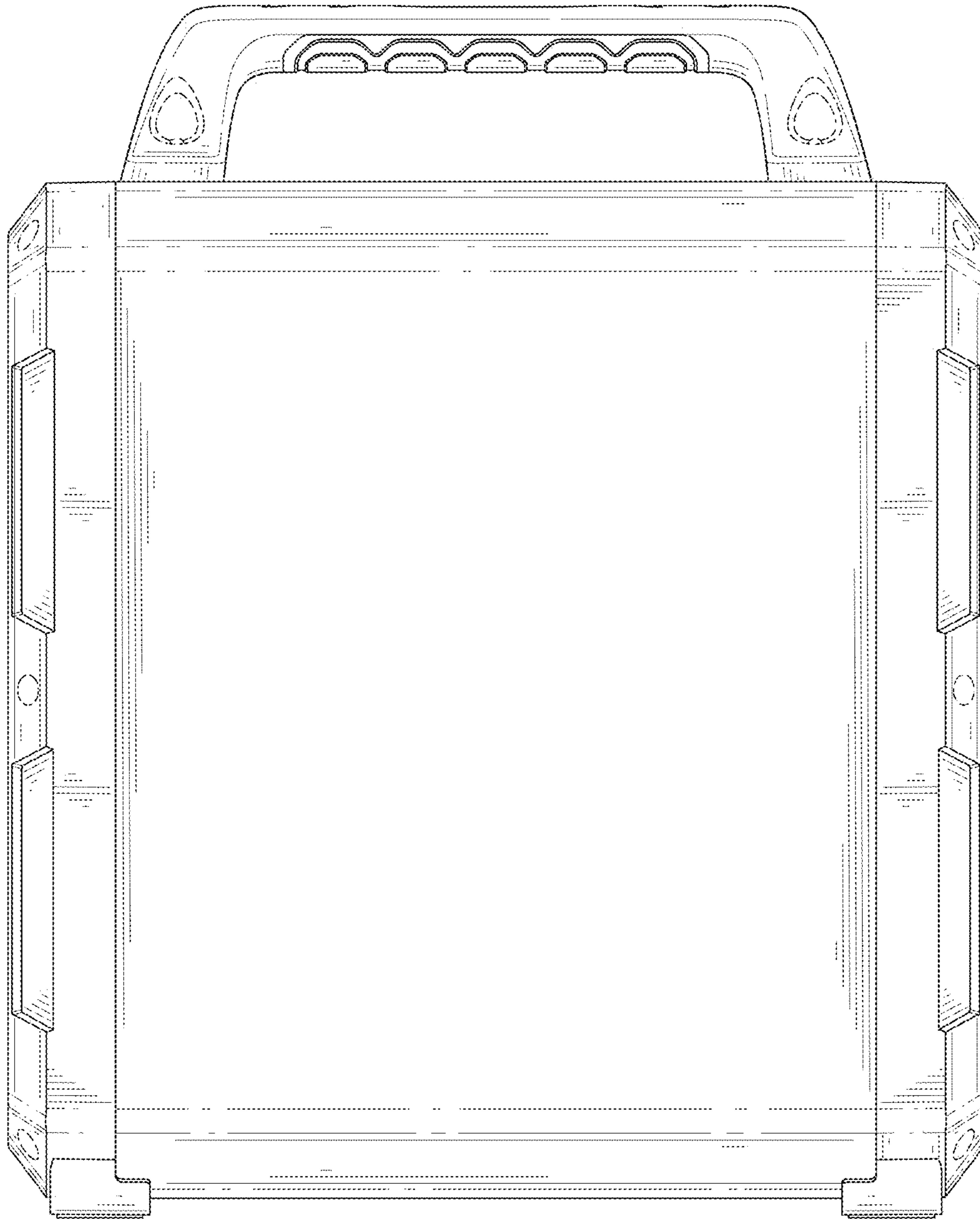


FIG. 6

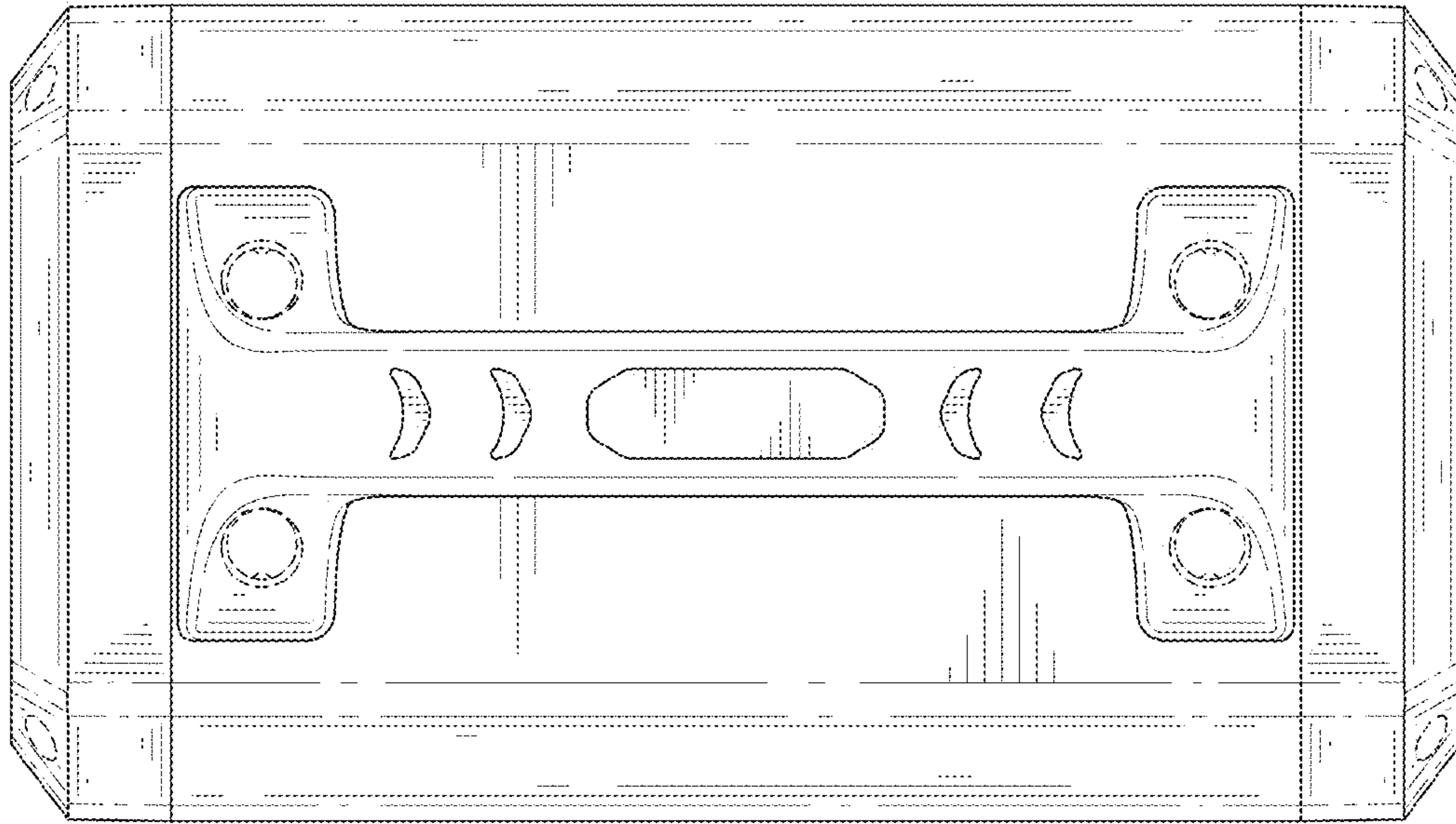


FIG. 7

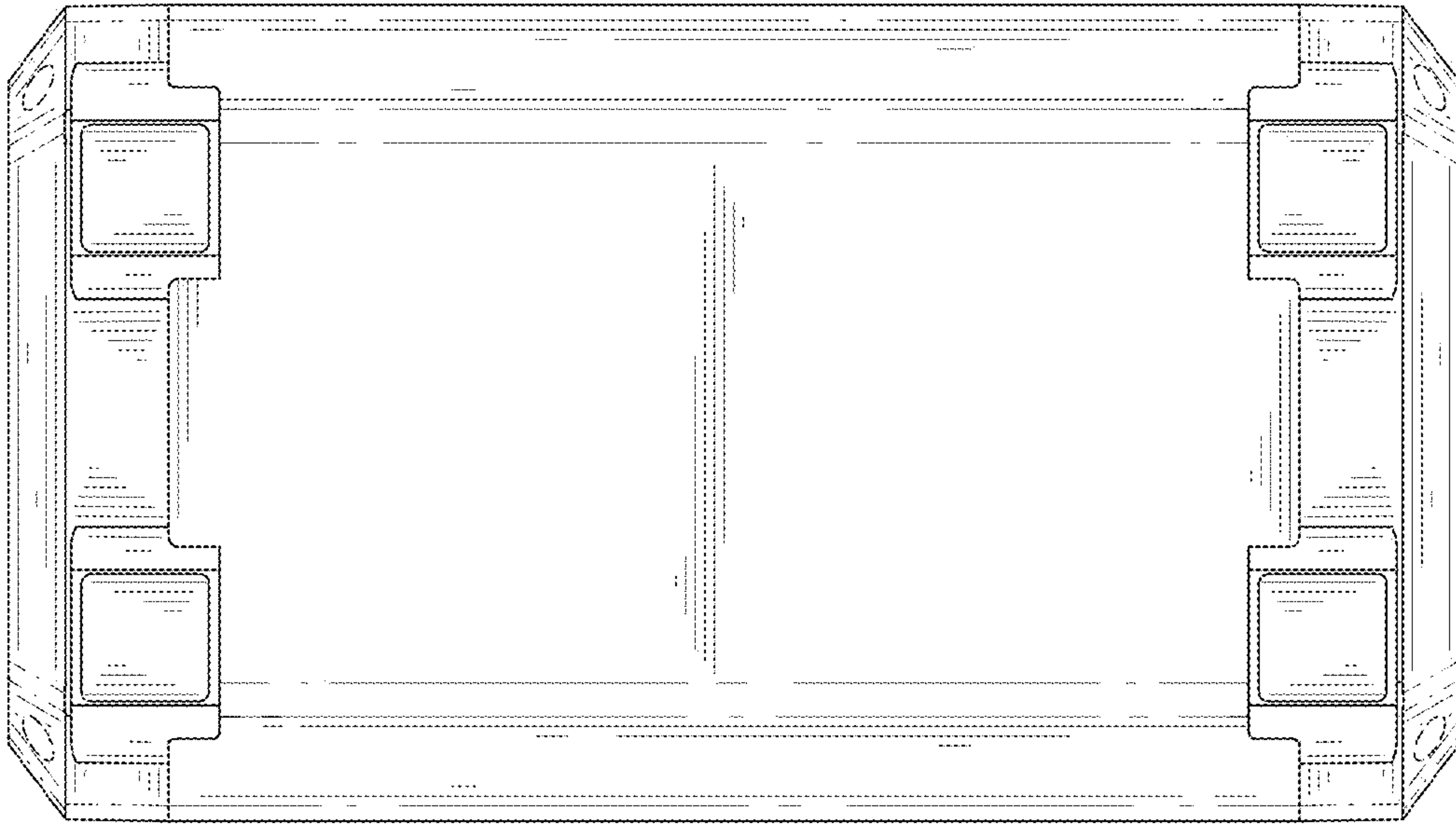


FIG. 8

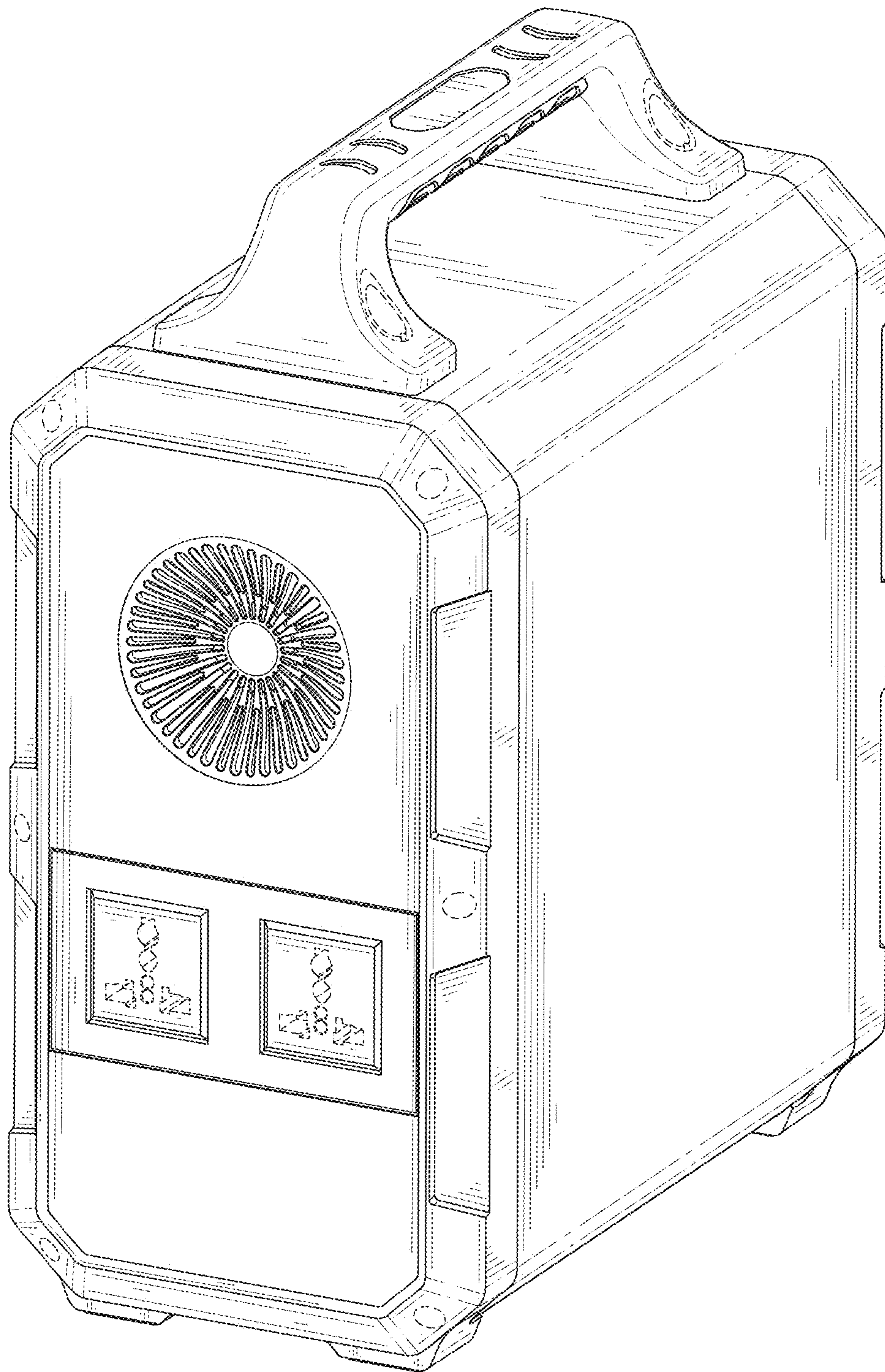


FIG. 9

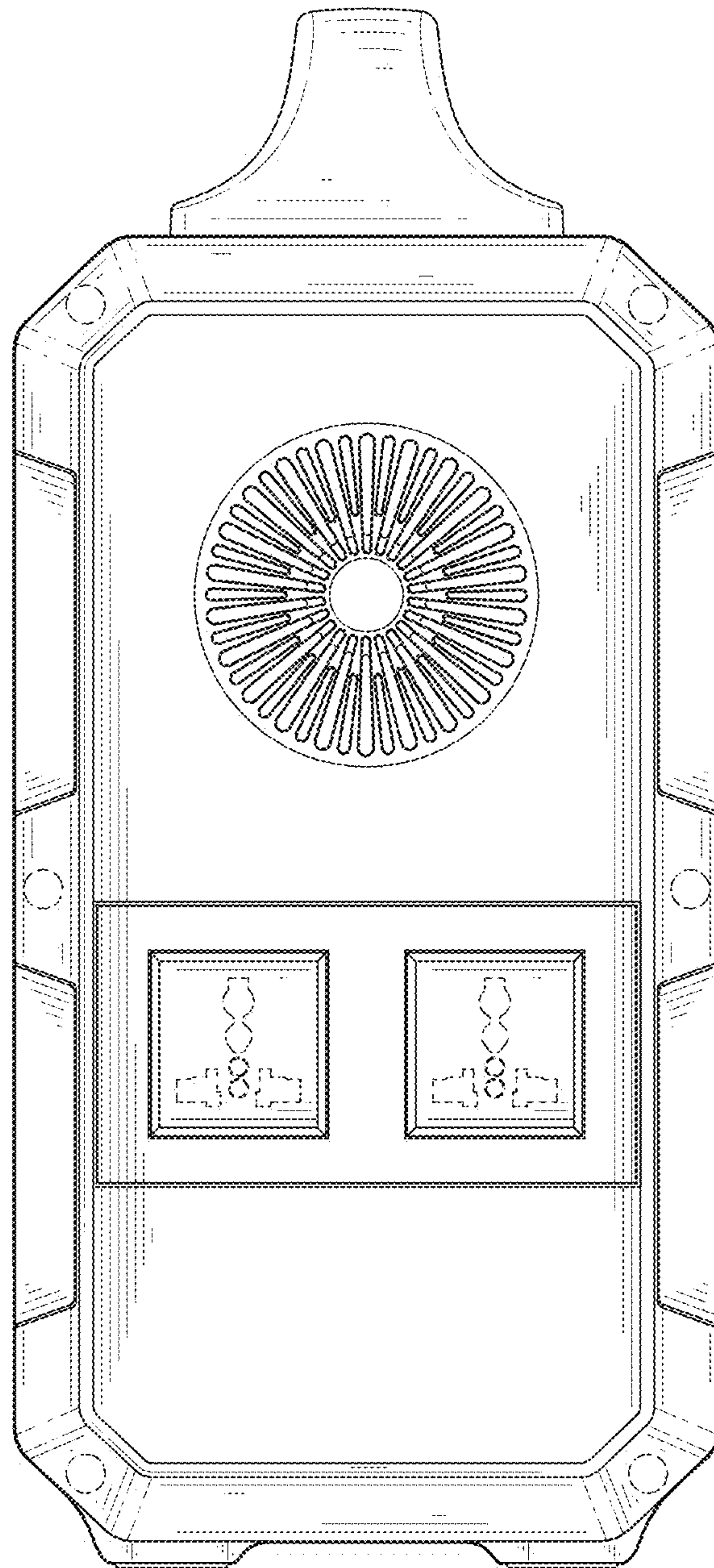


FIG. 10

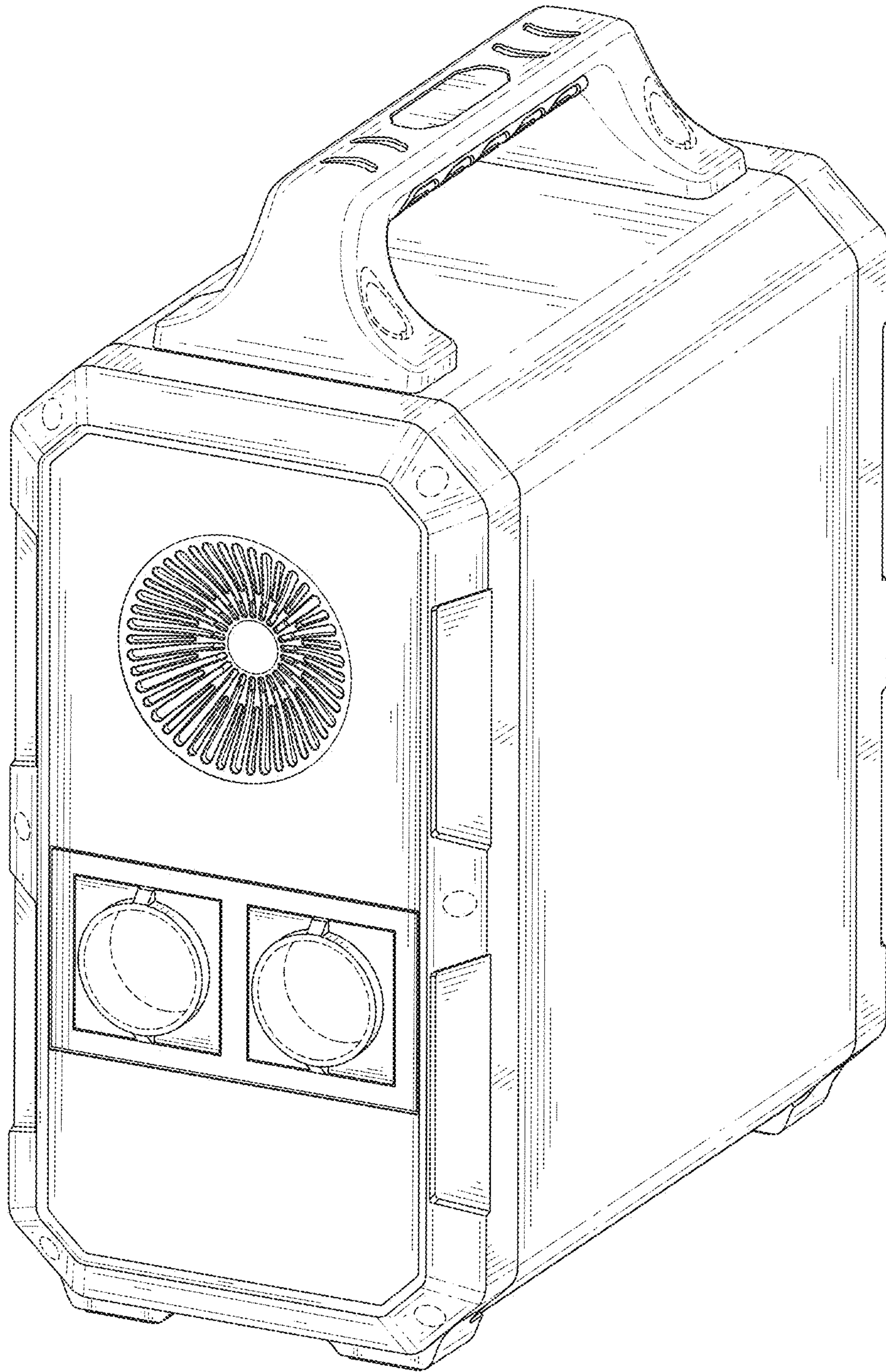


FIG. 11

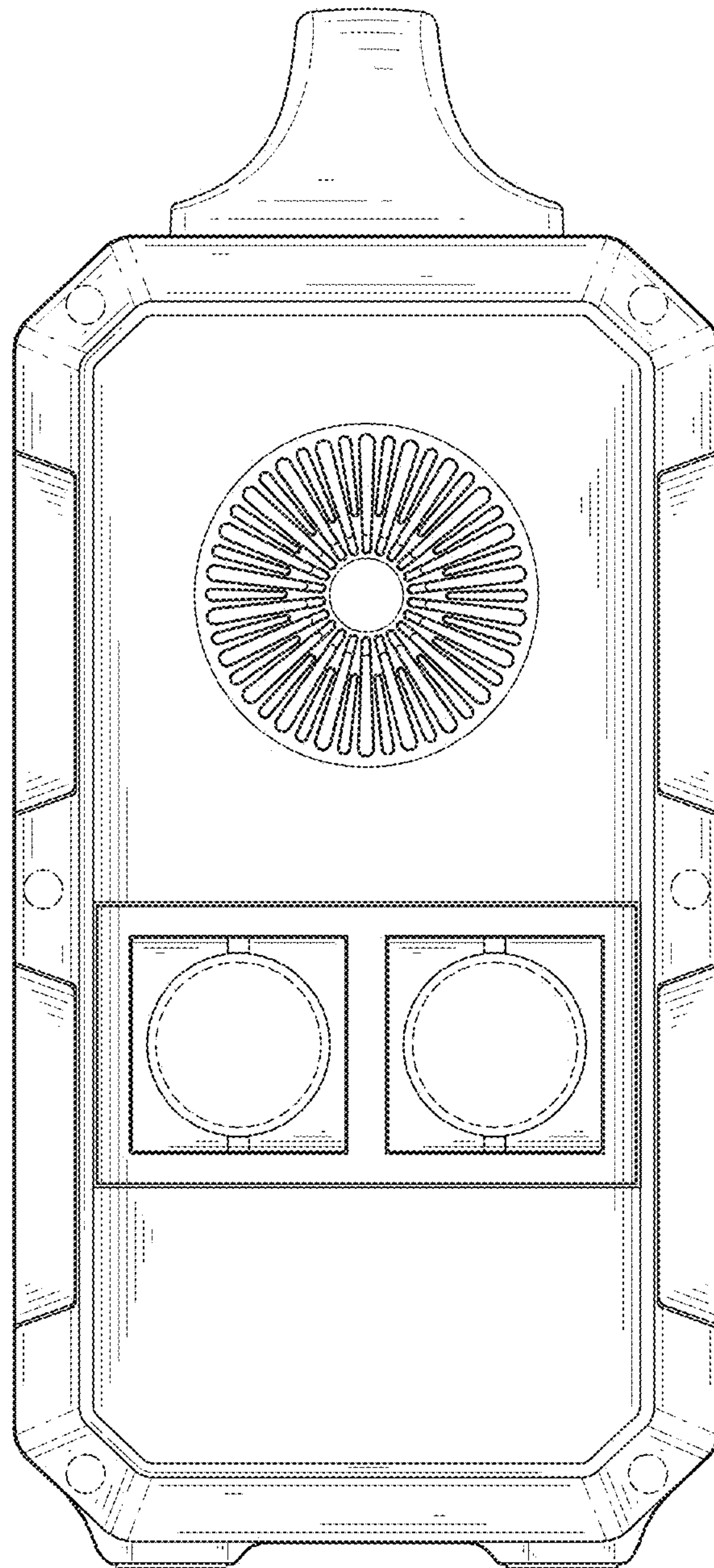


FIG. 12