



US00D877054S

(12) **United States Design Patent**
Nukushina

(10) **Patent No.:** **US D877,054 S**
(45) **Date of Patent:** **** Mar. 3, 2020**

- (54) **AUTOMOBILE TIRE**
- (71) Applicant: **THE YOKOHAMA RUBBER CO., LTD.**, Minato-ku, Tokyo (JP)
- (72) Inventor: **Ryosuke Nukushina**, Hiratsuka (JP)
- (73) Assignee: **THE YOKOHAMA RUBBER CO., LTD.**, Minato-ku, Tokyo (JP)

D607,810 S *	1/2010	Oizumi	D12/552
D610,963 S *	3/2010	Ochi	D12/552
D667,778 S *	9/2012	Drake	D12/553
D717,725 S *	11/2014	Fujita	D12/552
D782,397 S *	3/2017	Heinhaupt	D12/552
D786,180 S *	5/2017	Honda	D12/552
D786,781 S *	5/2017	Takei	D12/563
D834,506 S *	11/2018	Wang	D12/552

* cited by examiner

Primary Examiner — George D. Kirschbaum
Assistant Examiner — Joseph J Kukella
(74) *Attorney, Agent, or Firm* — Banner & Witcoff, Ltd.

- (**) Term: **15 Years**
- (21) Appl. No.: **29/668,838**
- (22) Filed: **Nov. 2, 2018**

(57) **CLAIM**

The ornamental design for an automobile tire, as shown and described.

(30) **Foreign Application Priority Data**

May 2, 2018 (JP) 2018-009781

(51) **LOC (12) Cl.** **12-15**

(52) **U.S. Cl.**
USPC **D12/554**

(58) **Field of Classification Search**
USPC D12/505–567, 580, 586, 604
CPC B60C 11/0302; B60C 2011/0339–0355;
B60C 2011/0358–0372; B60C
2011/0374–0379; B60C 2011/0381–0383;
B60C 2011/0386–0397
See application file for complete search history.

DESCRIPTION

FIG. 1 is a perspective view of an automobile tire showing our design;
FIG. 2 is a front view thereof;
FIG. 3 is a rear view thereof;
FIG. 4 is a right side view thereof;
FIG. 5 is a left side view thereof;
FIG. 6 is a top view thereof;
FIG. 7 is a bottom view thereof;
FIG. 8 is a partially enlarged view of a portion defined by lines 8-8 shown in FIG. 1;
FIG. 9 is a partially enlarged view of a portion defined by lines 9-9 shown in FIG. 2; and,
FIG. 10 is an end view of a portion defined by lines 10-10 shown in FIG. 9.
In the drawings, the broken lines depict environmental subject matter only and form no part of the claimed design.

(56) **References Cited**

U.S. PATENT DOCUMENTS

D316,842 S *	5/1991	Graas	D12/551
D348,863 S *	7/1994	Narabayashi	D12/553
D444,427 S *	7/2001	Heinen	D12/551

1 Claim, 10 Drawing Sheets

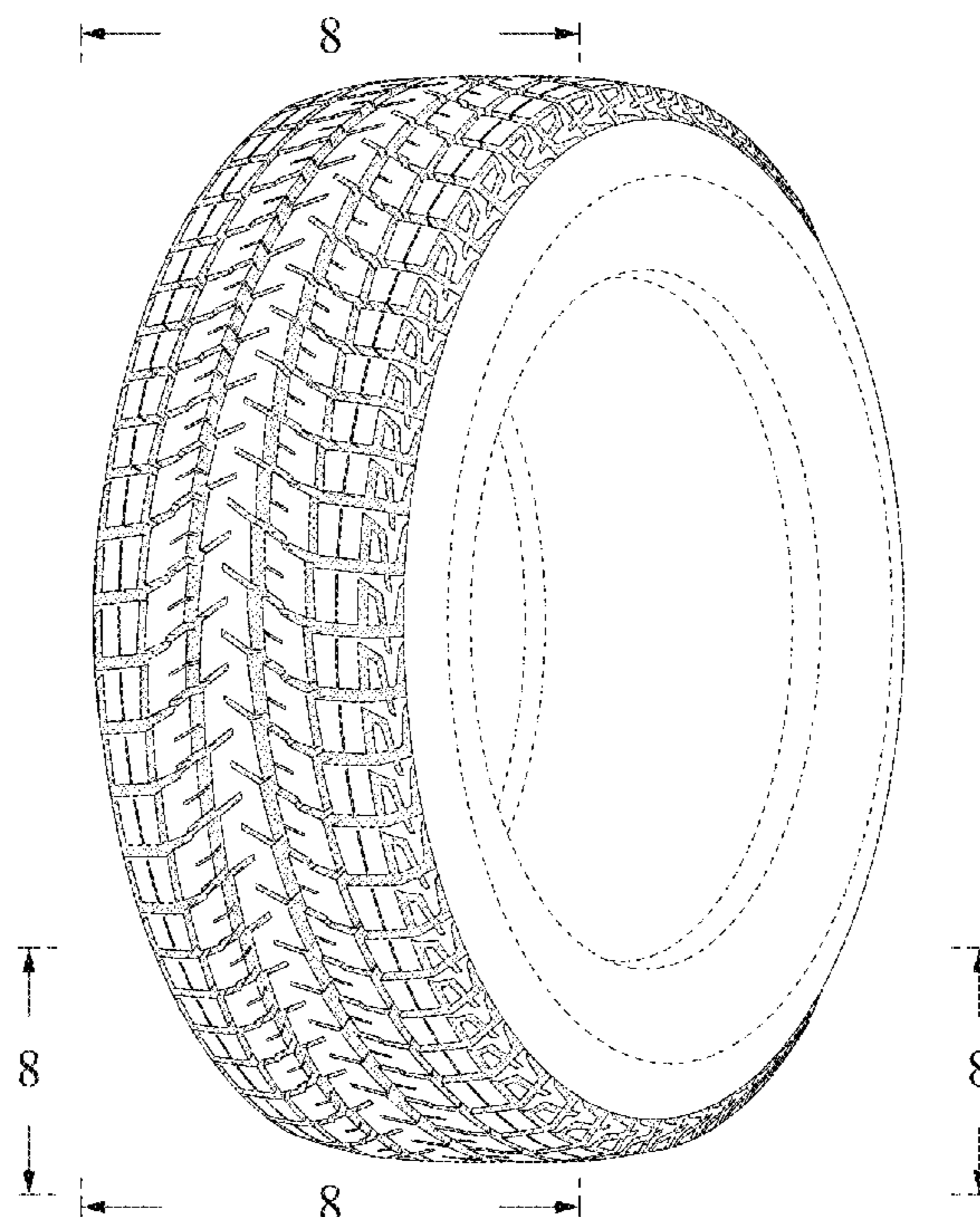


FIG. 1

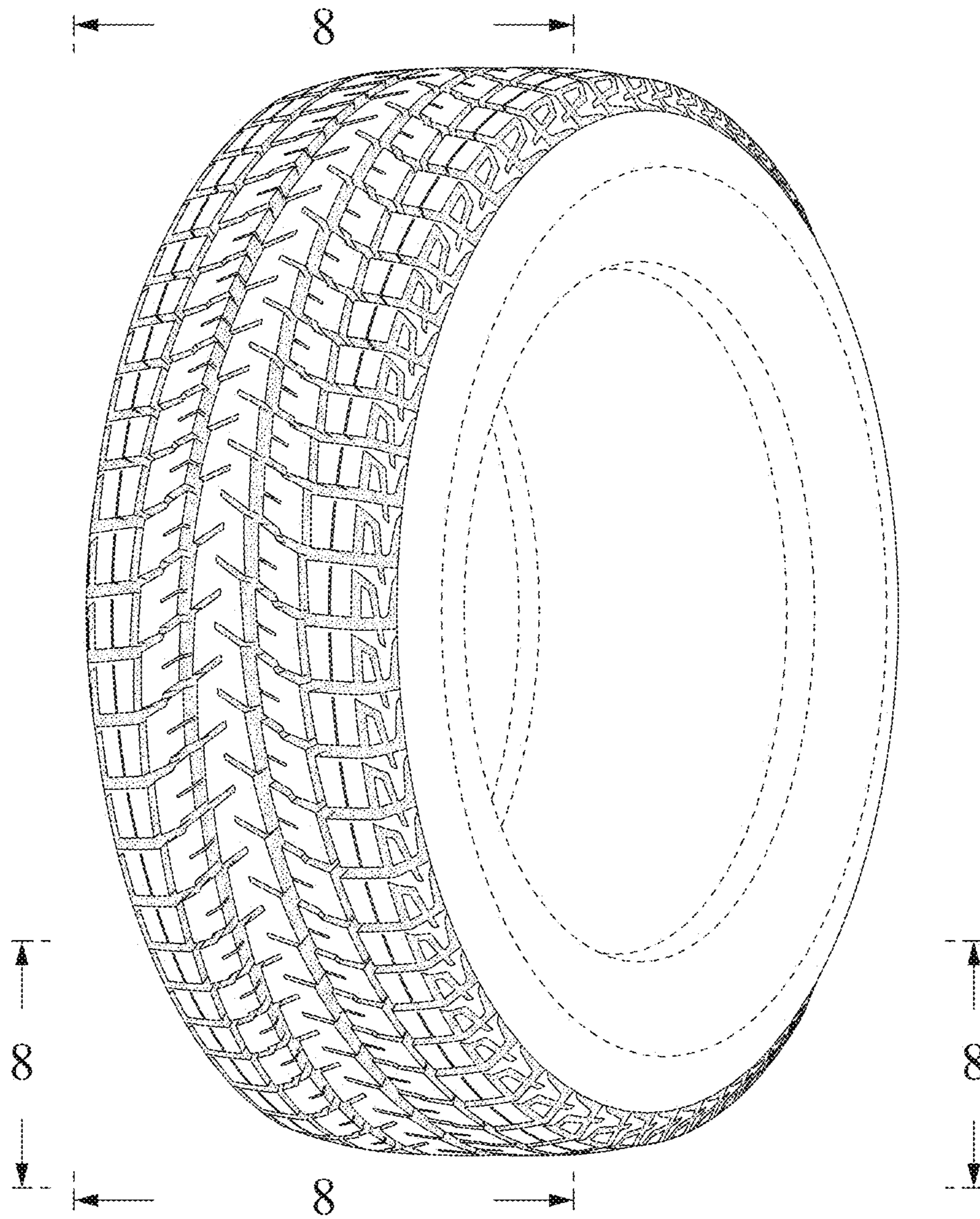


FIG. 2

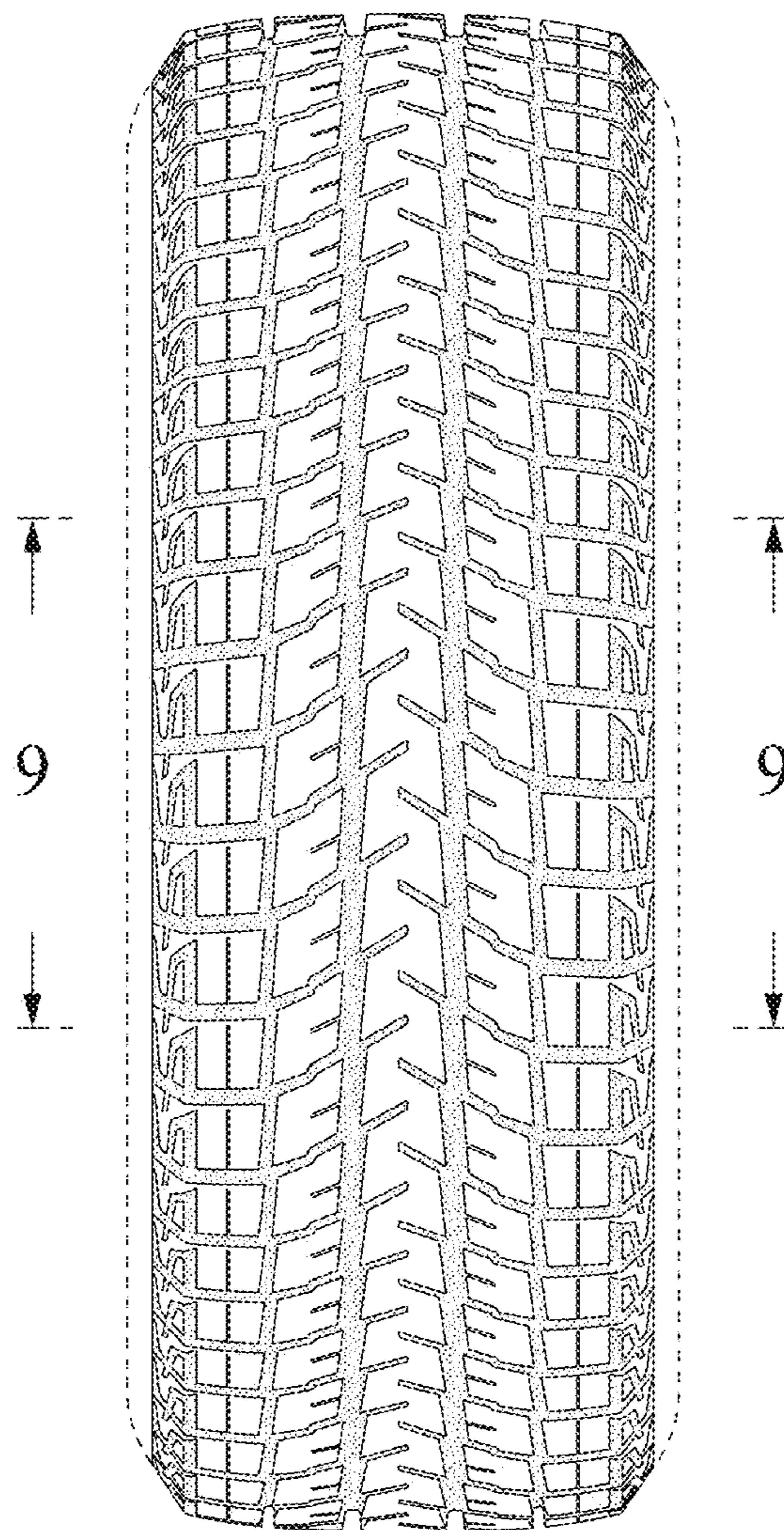


FIG. 3

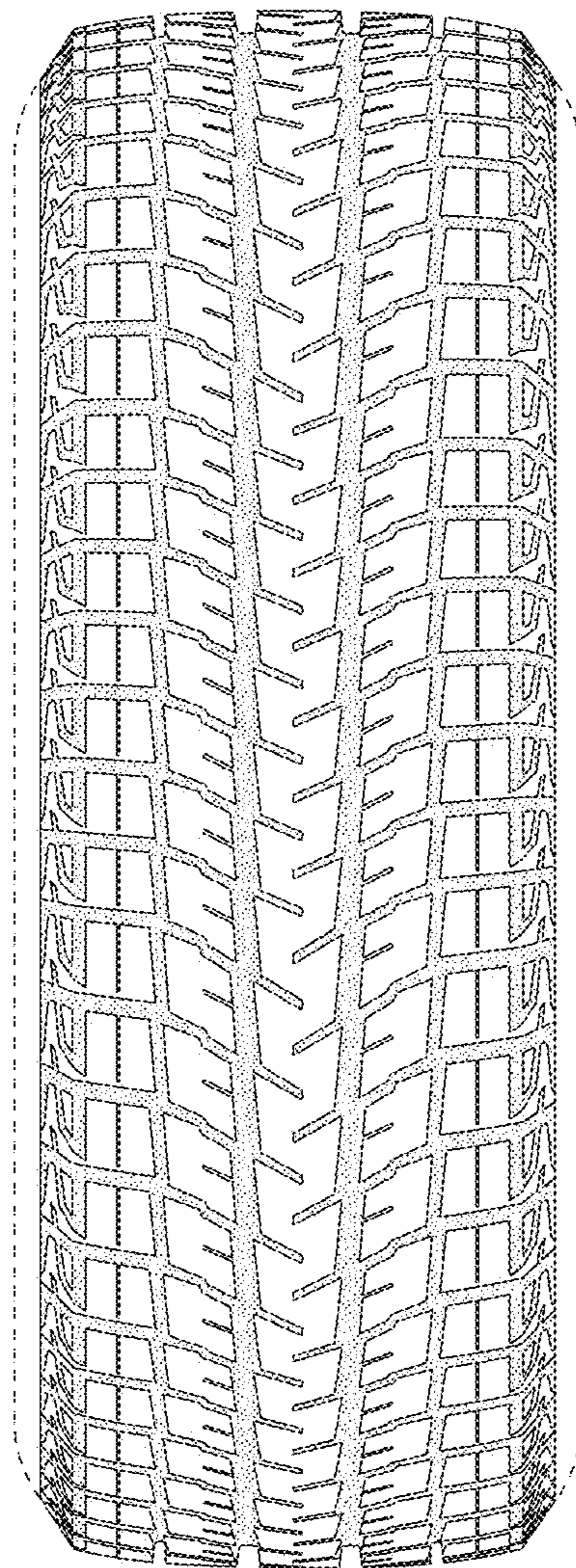


FIG. 4

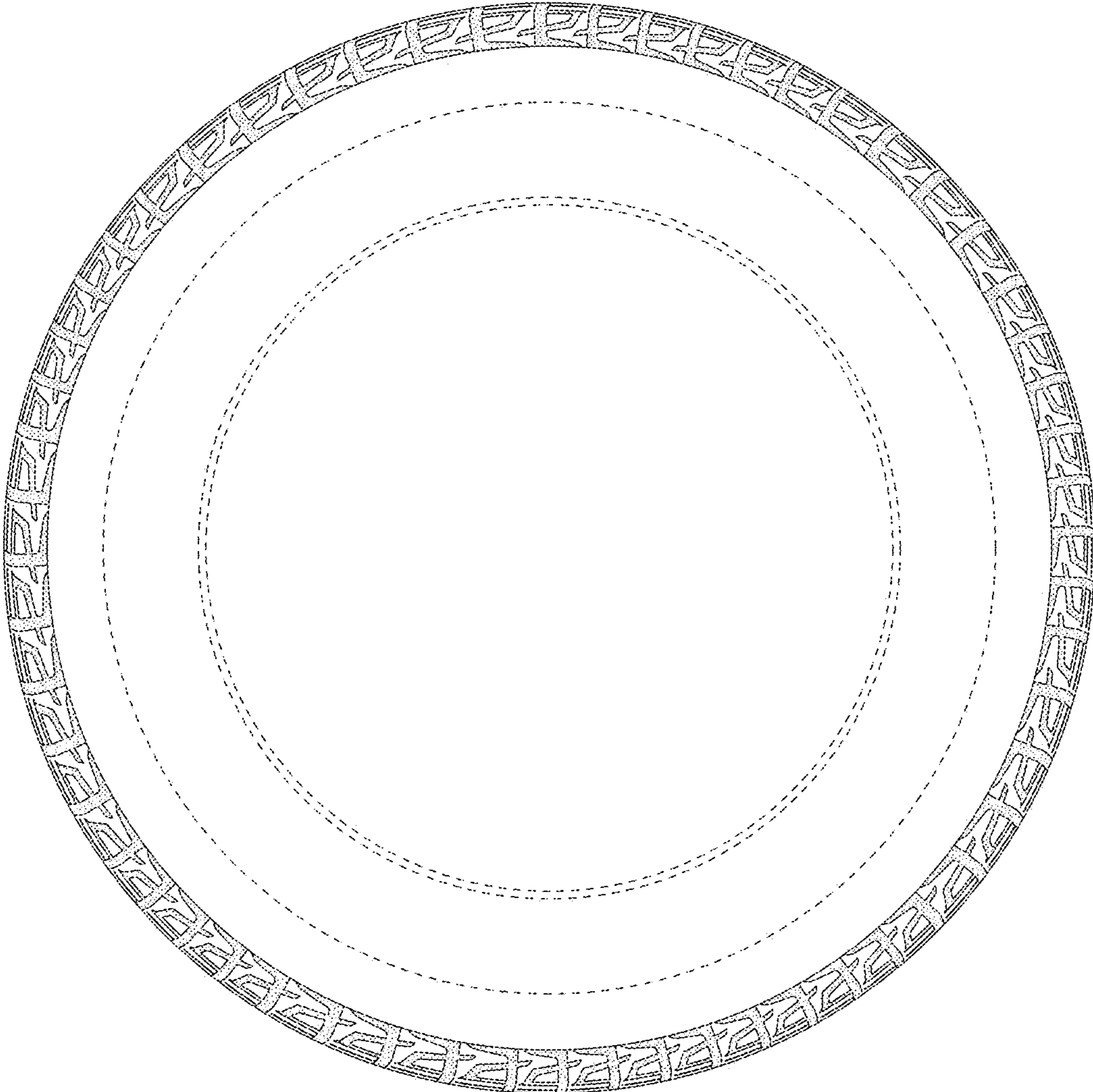


FIG. 5

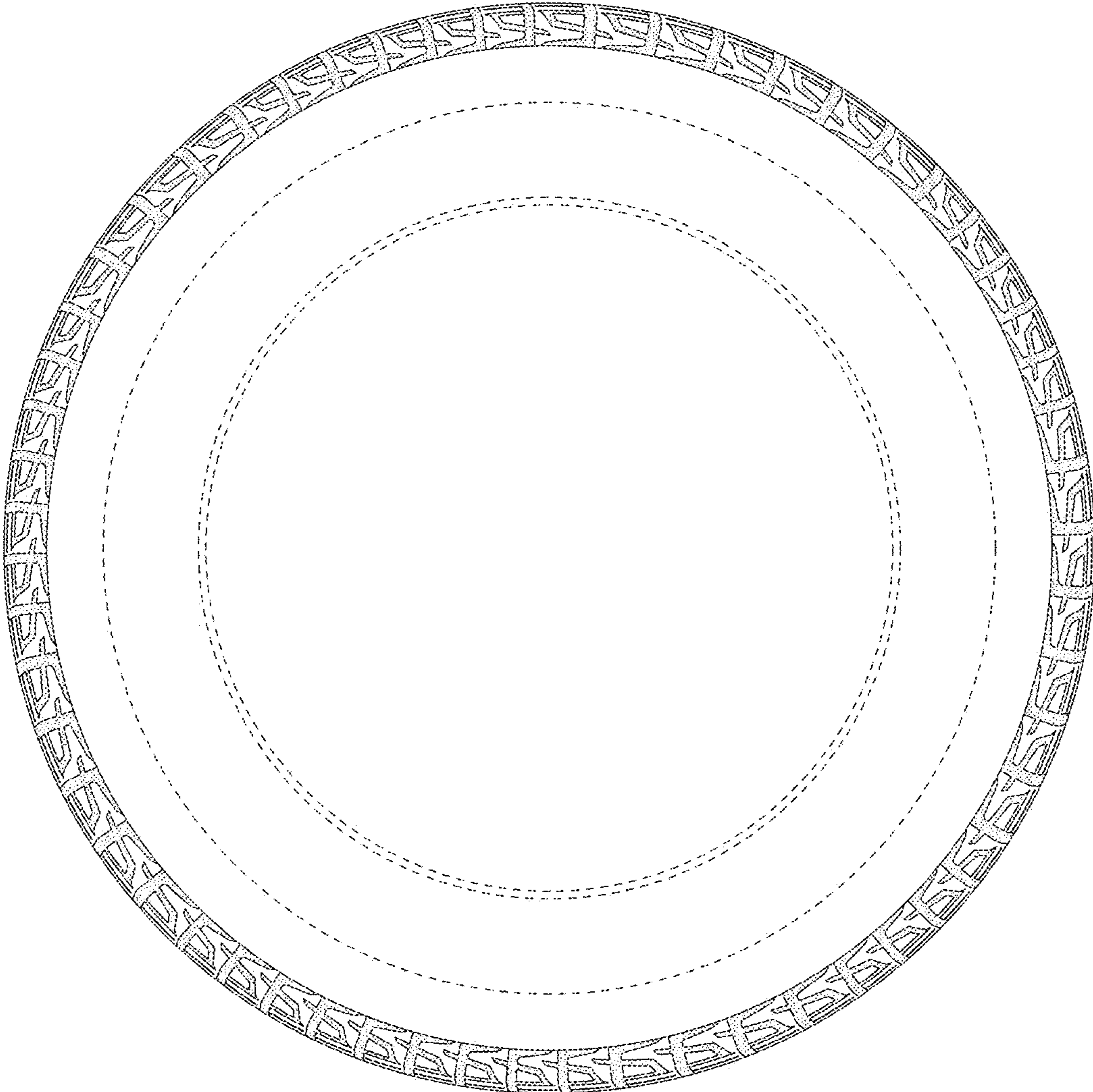


FIG. 6

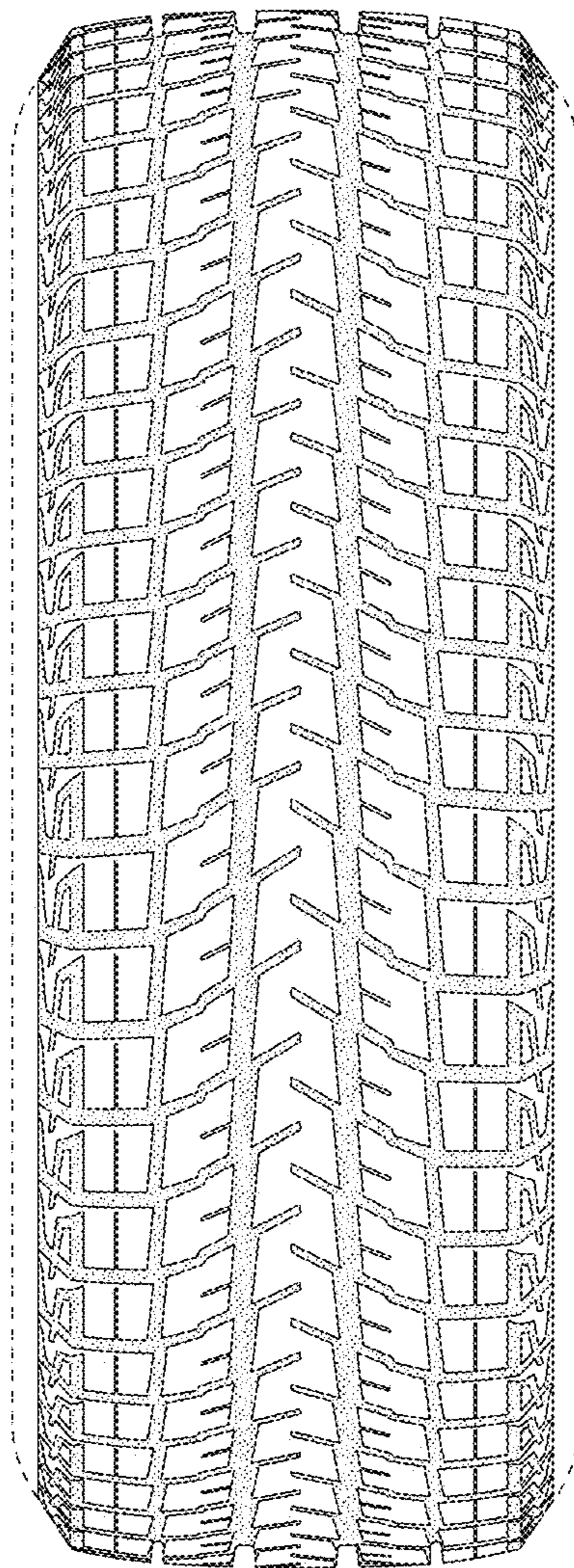


FIG. 7

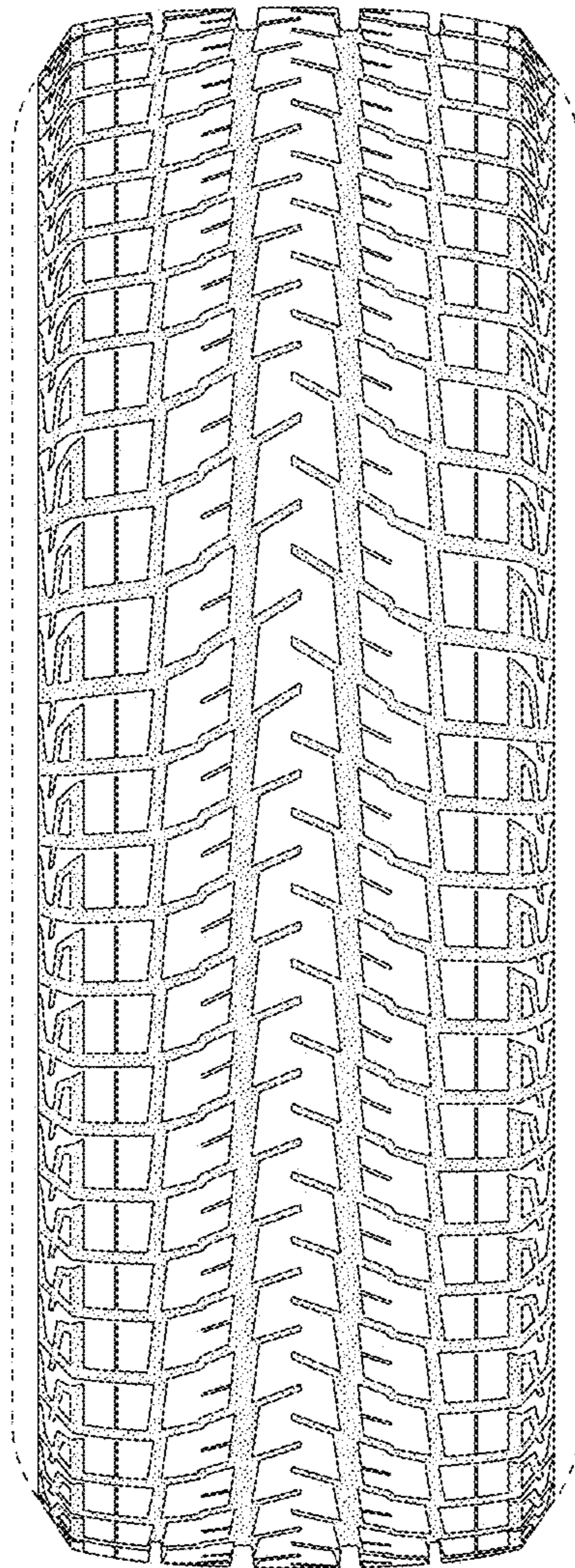


FIG. 8

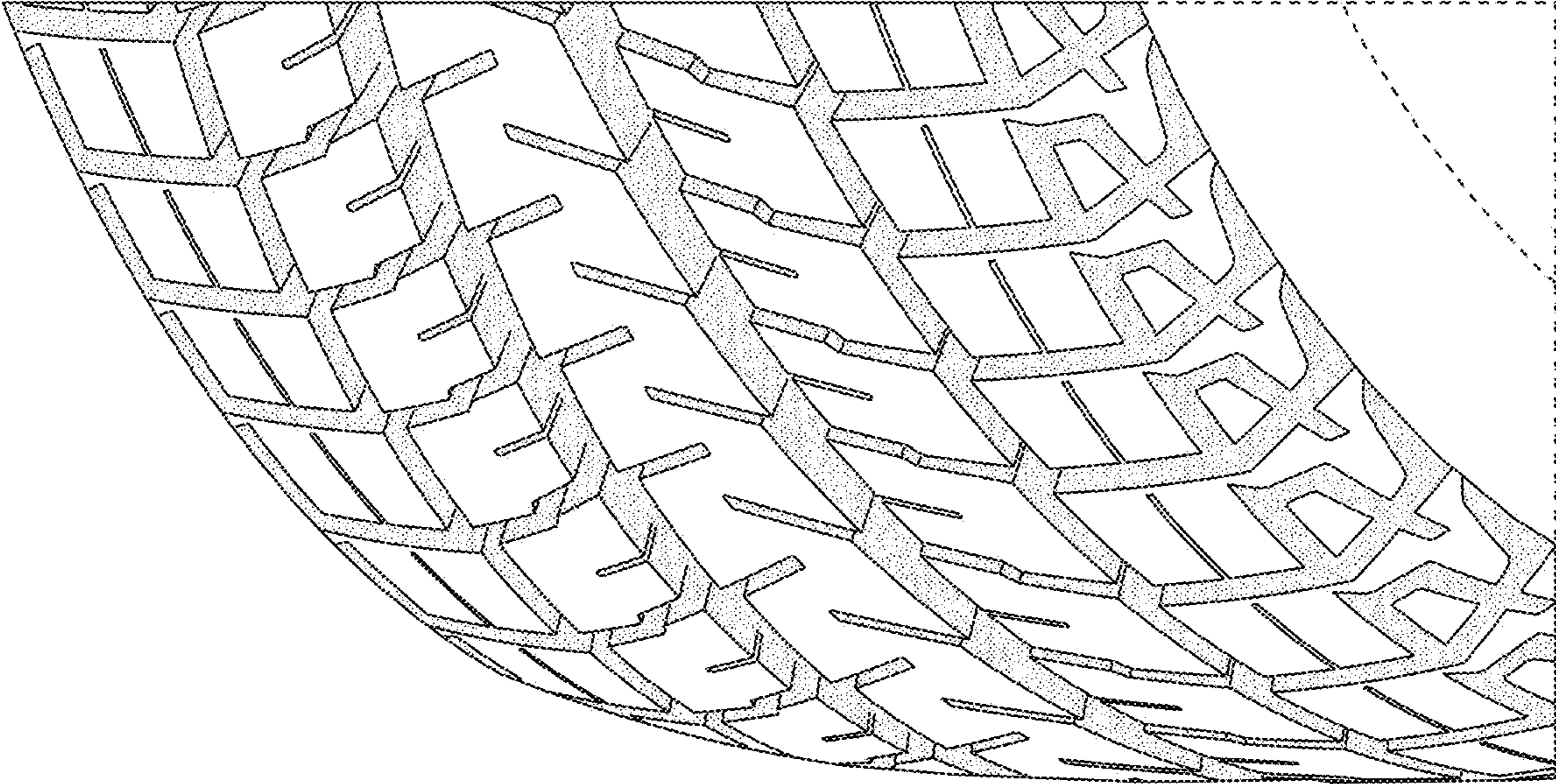


FIG. 9

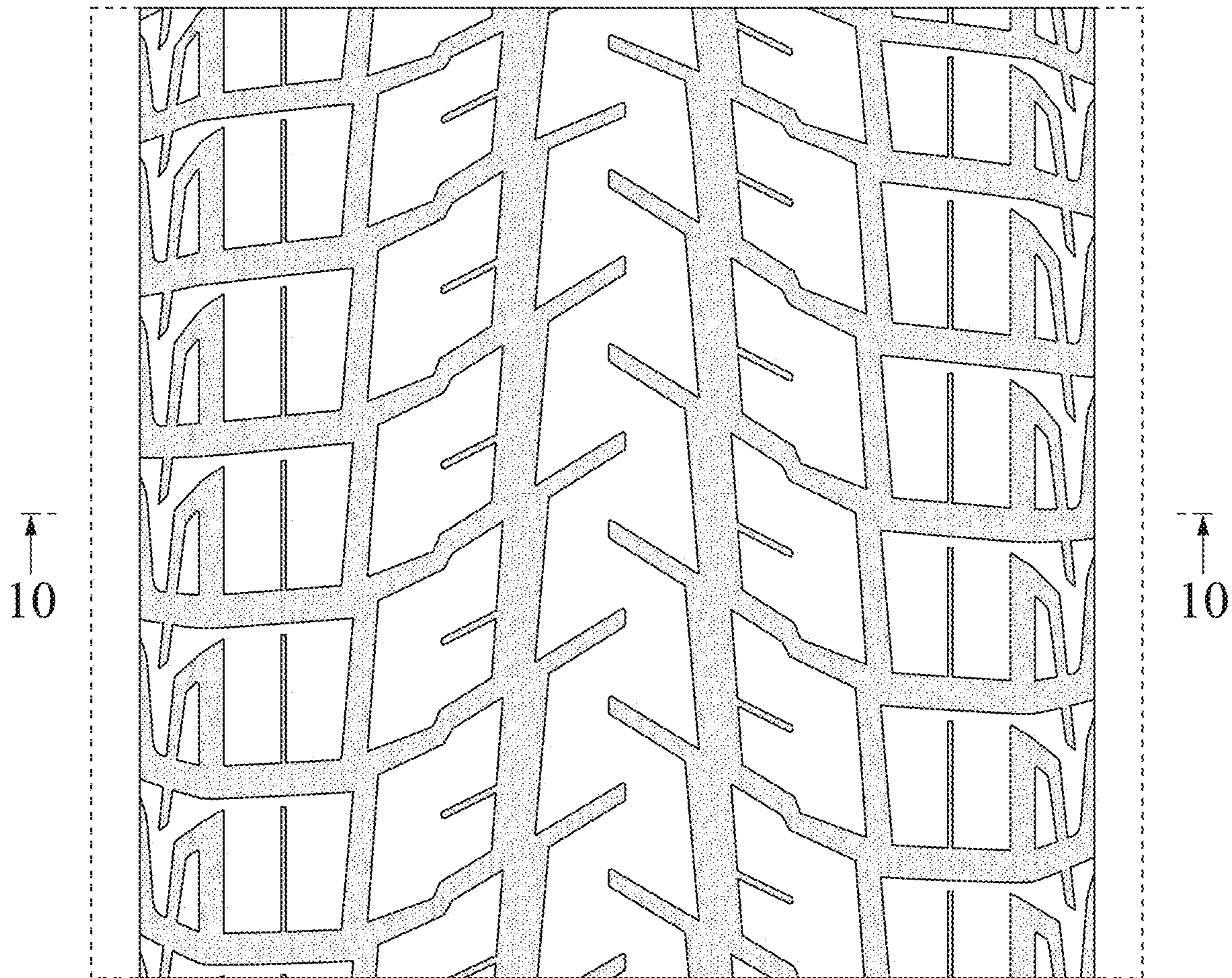


FIG. 10

