



US00D877047S

(12) **United States Design Patent**
Leinberger et al.

(10) **Patent No.:** **US D877,047 S**
(45) **Date of Patent:** **** Mar. 3, 2020**

(54) **VEHICLE DISPLAY AND CONTROL ELEMENT**

CPC B60R 7/04; B60R 7/06; B60R 7/08; B60R 2300/20; B60R 2300/205; B60R 2300/207; B60K 37/00; B60K 37/02; B60K 37/04; B60K 37/06

(71) Applicant: **Dr. Ing. h.c. F. Porsche Aktiengesellschaft**, Stuttgart (DE)

See application file for complete search history.

(72) Inventors: **Jochen Leinberger**, Stuttgart (DE); **Gantimur Meißner**, Berlin (DE); **Samuel Gonzalez Moraleja**, Herrenberg (DE); **Daniel Zarges**, Schwieberdingen (DE); **Doeke Willem De Walle**, Pforzheim (DE); **Christian Wimpff**, Stuttgart (DE); **Kathrin Schneider**, Böblingen (DE); **Dominic Arnold**, Gerlingen (DE)

(56) **References Cited**

U.S. PATENT DOCUMENTS

D773,380 S * 12/2016 Meissner D12/415
D848,979 S * 5/2019 Kim D14/223
D849,620 S * 5/2019 Roo-Clefas D12/192
D853,919 S * 7/2019 Hazumi D12/192

* cited by examiner

Primary Examiner — Abraham Bahta

(73) Assignee: **Dr. Ing. h.c. F. Porsche Aktiengesellschaft** (DE)

(74) *Attorney, Agent, or Firm* — RatnerPrestia

(**) Term: **15 Years**

(57) **CLAIM**

The ornamental design for a vehicle display and control element, as shown and described.

(21) Appl. No.: **29/653,665**

DESCRIPTION

(22) Filed: **Jun. 18, 2018**

FIG. 1 is a rear perspective view of a vehicle display and control element;

(30) **Foreign Application Priority Data**

Dec. 19, 2017 (DE) 40 2017 101 375

FIG. 2 is a front perspective view thereof;

(51) **LOC (12) Cl.** **12-16**

FIG. 3 is a front elevation view thereof;

(52) **U.S. Cl.**
USPC **D12/424**

FIG. 4 is a rear elevation view thereof;

(58) **Field of Classification Search**
USPC D12/415–420, 400, 195, 191, 106, 345, D12/96, 99, 192, 110, 114; D14/157, D14/485, 489, 492, 488, 490; 296/70, 296/24.3, 37.18

FIG. 5 is an elevation view thereof from the right side;

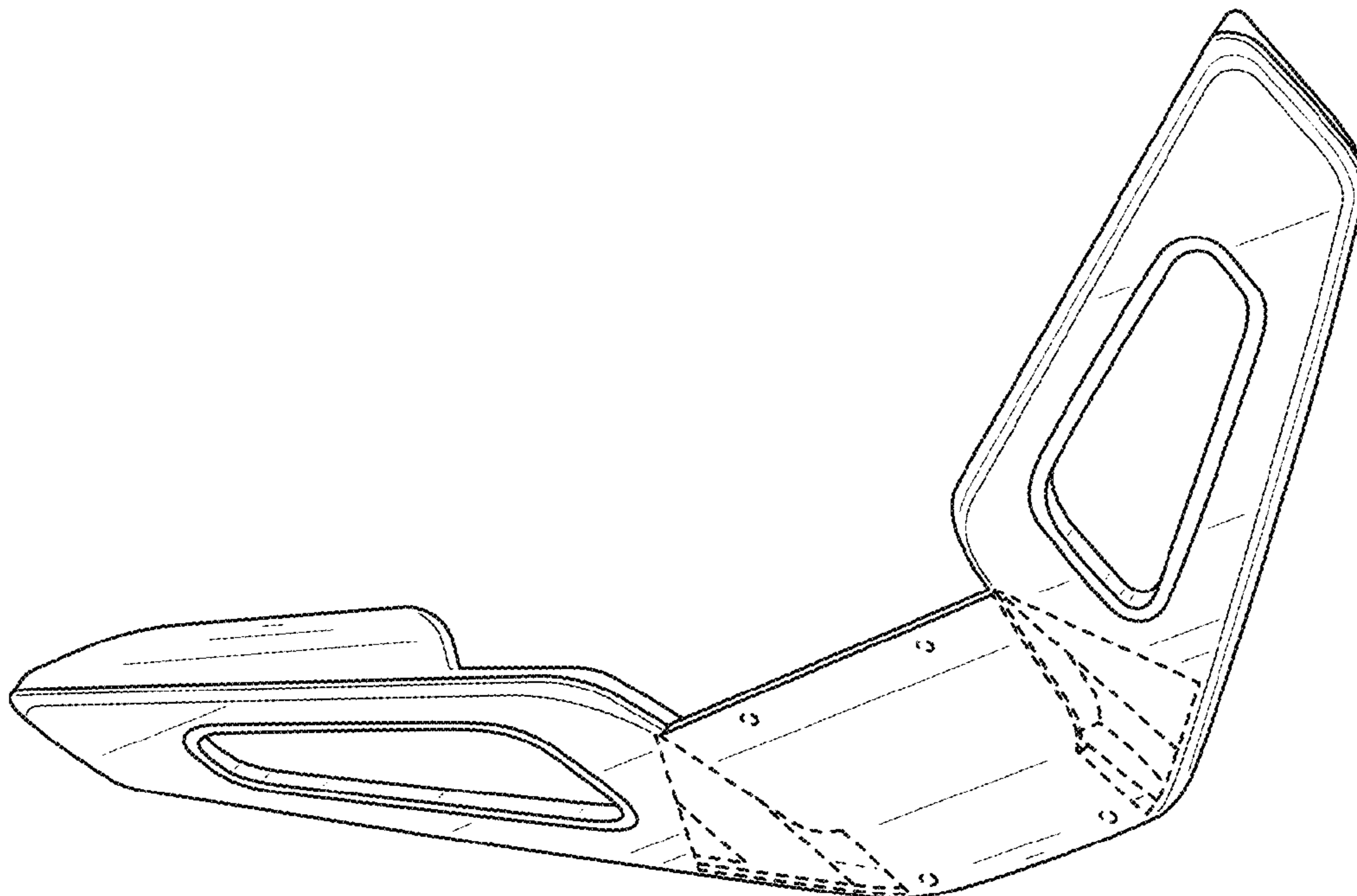
FIG. 6 is an elevation view thereof from the left;

FIG. 7 is a top plan view thereof; and,

FIG. 8 is a bottom plan view thereof.

The portions of the vehicle display and control element shown in broken lines are for illustrative and environmental purposes and form no part of the claimed design.

1 Claim, 4 Drawing Sheets



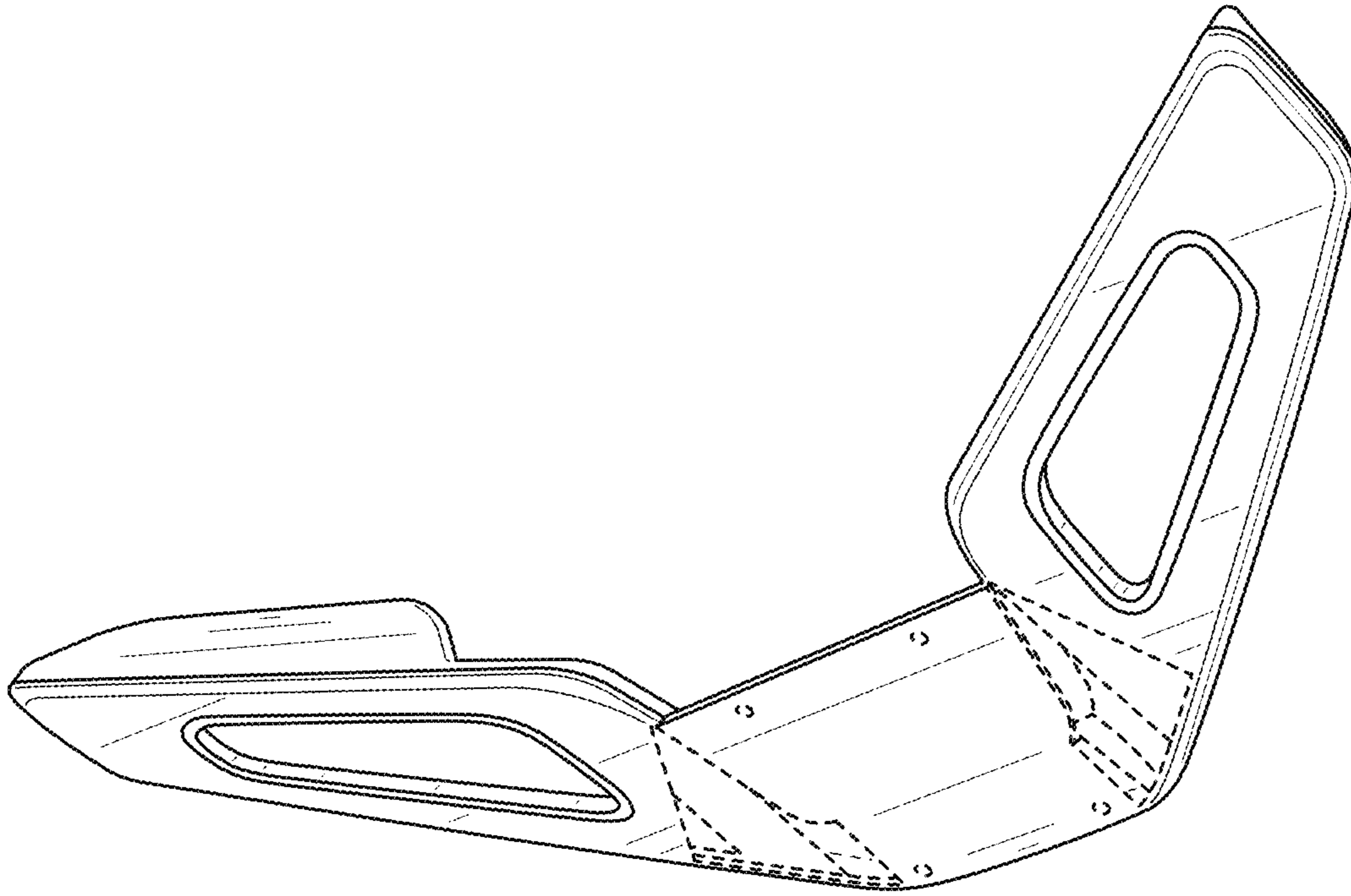


FIG. 1

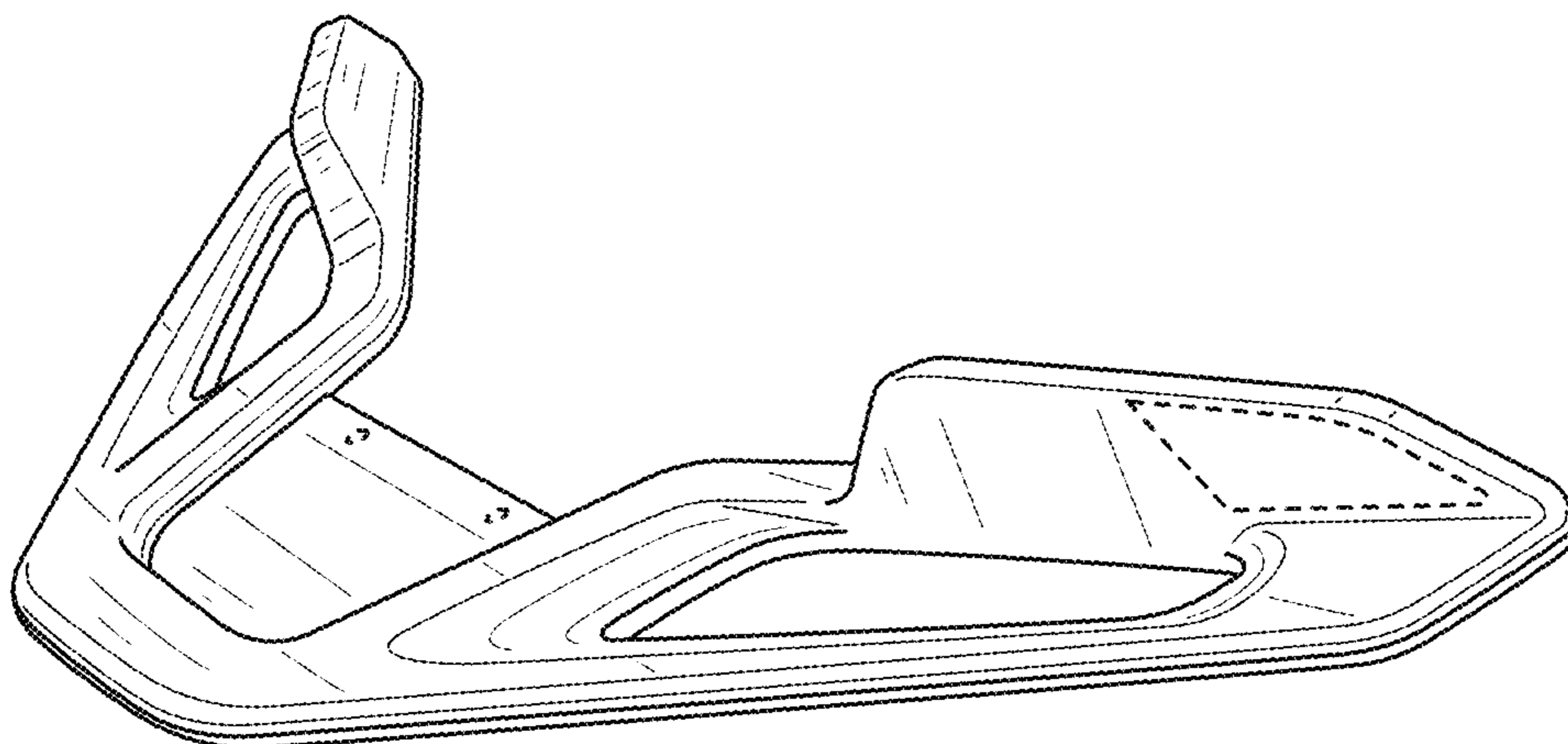


FIG. 2

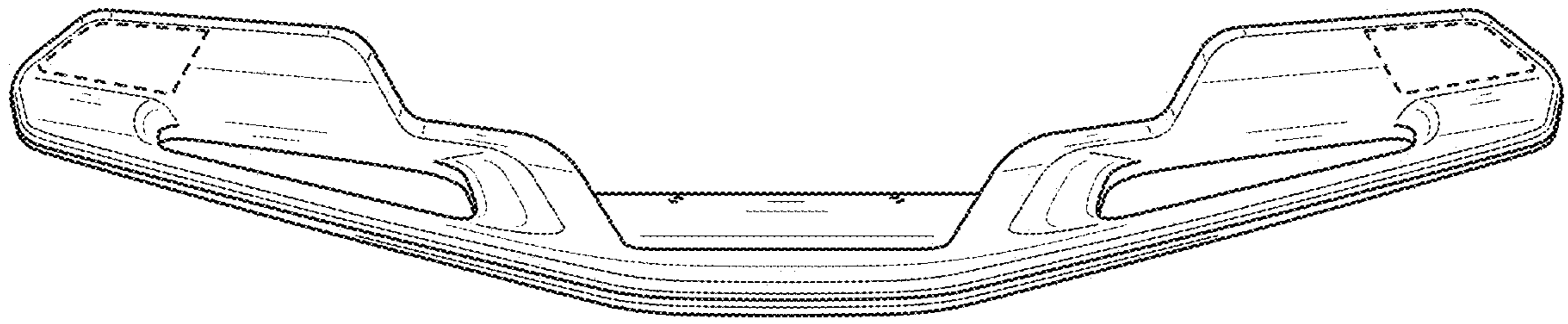


FIG. 3

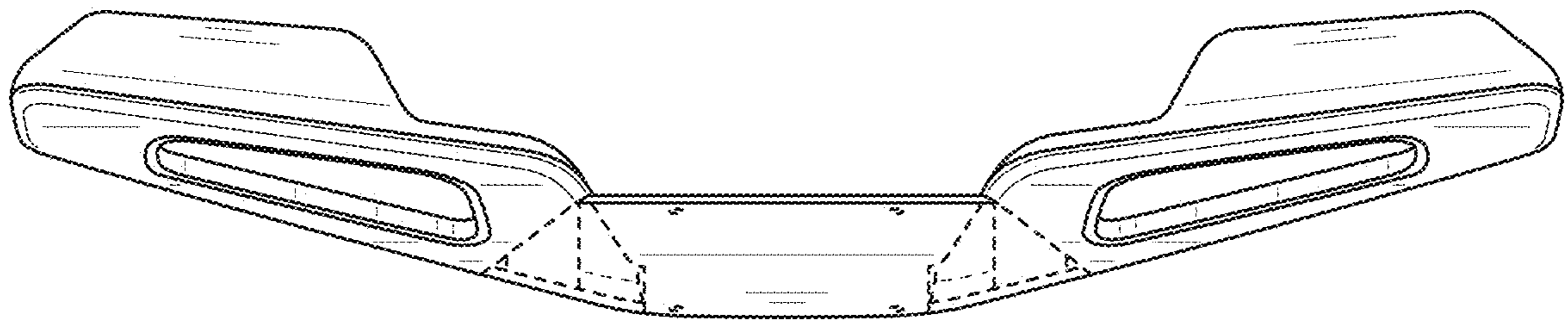


FIG. 4

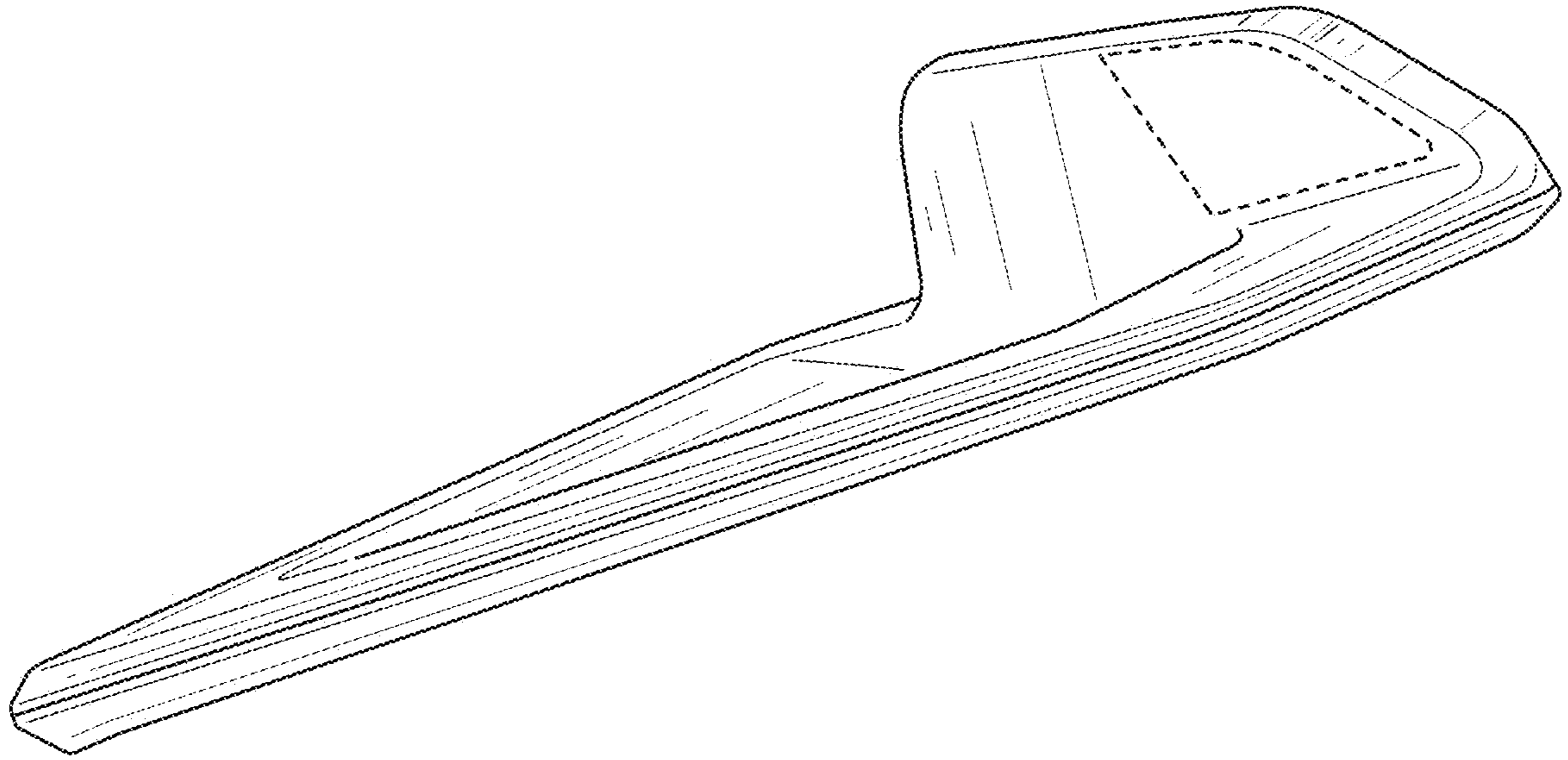


FIG. 5

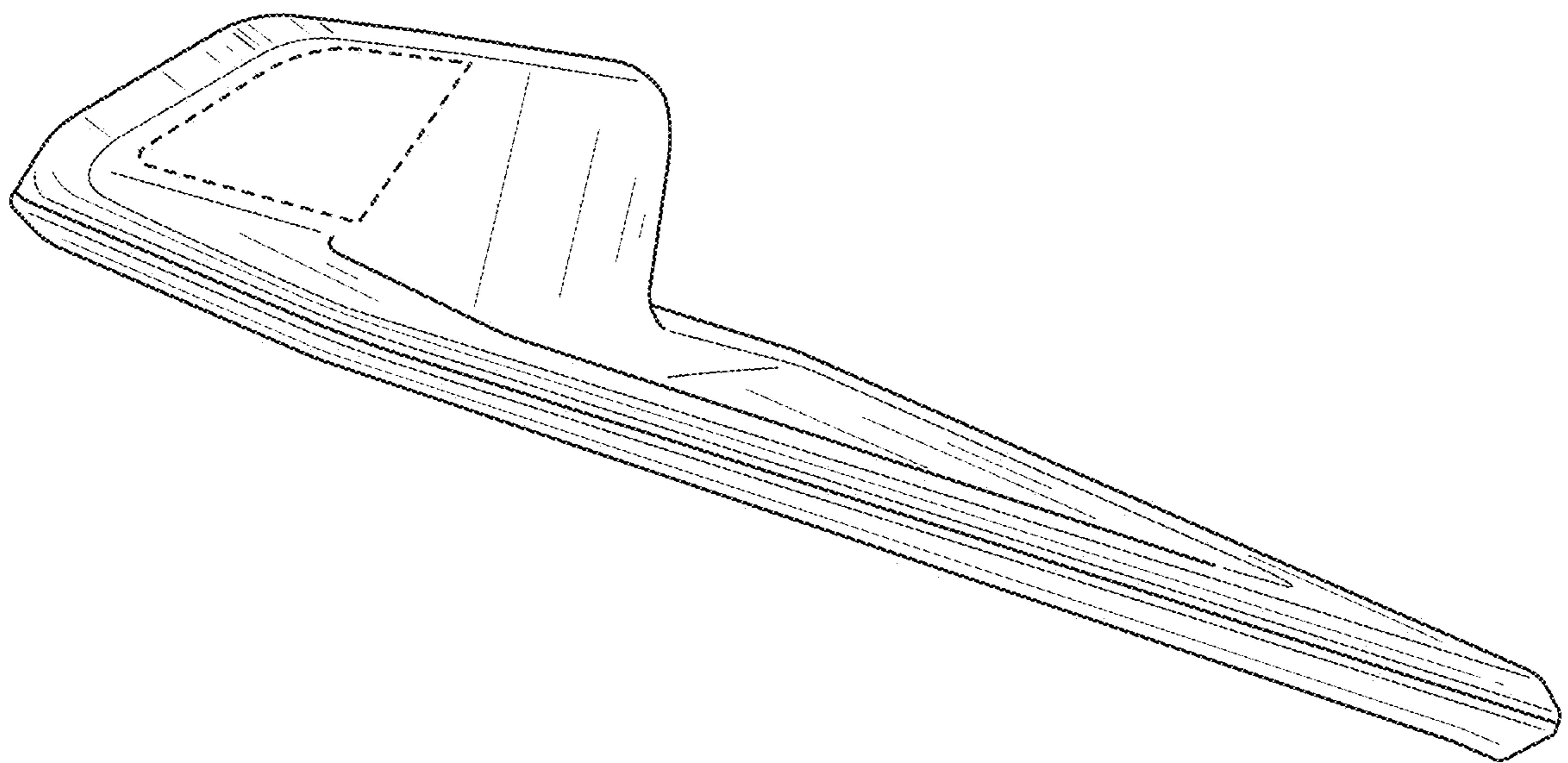


FIG. 6

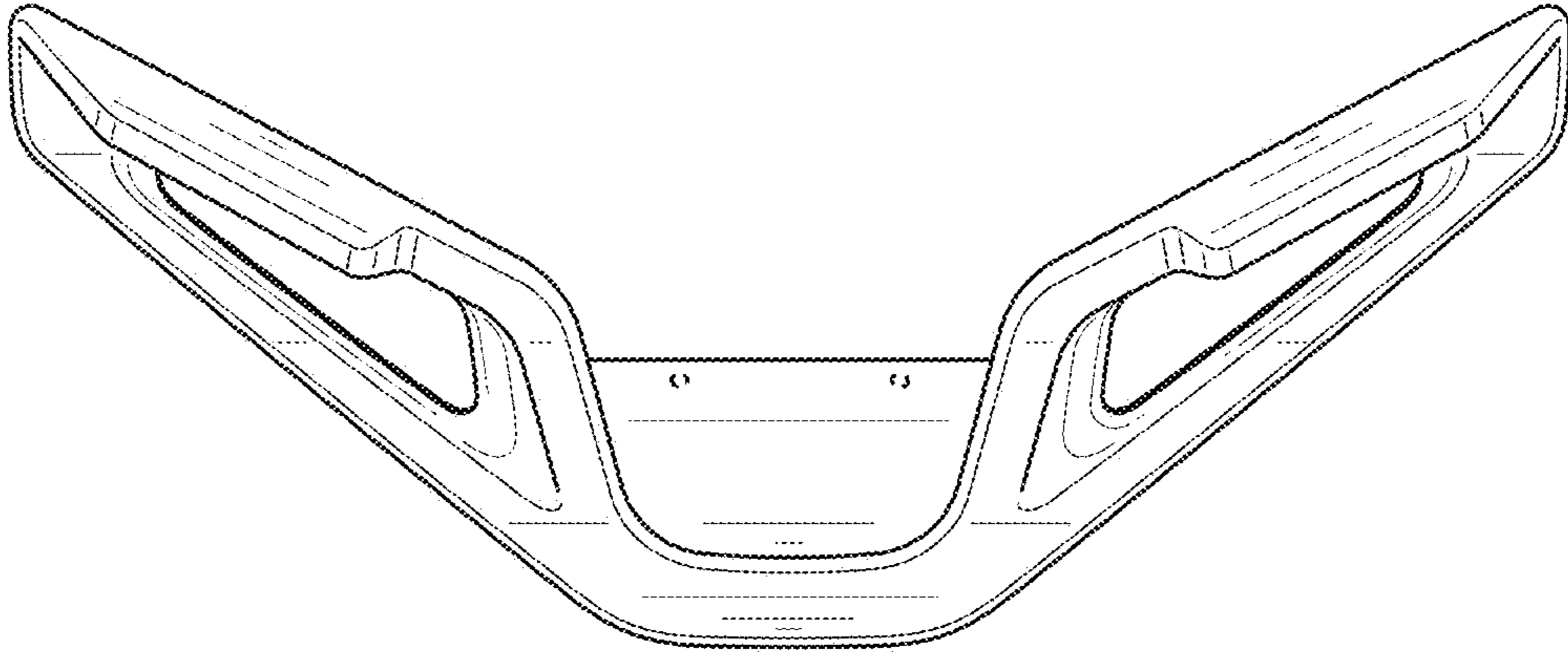


FIG. 7

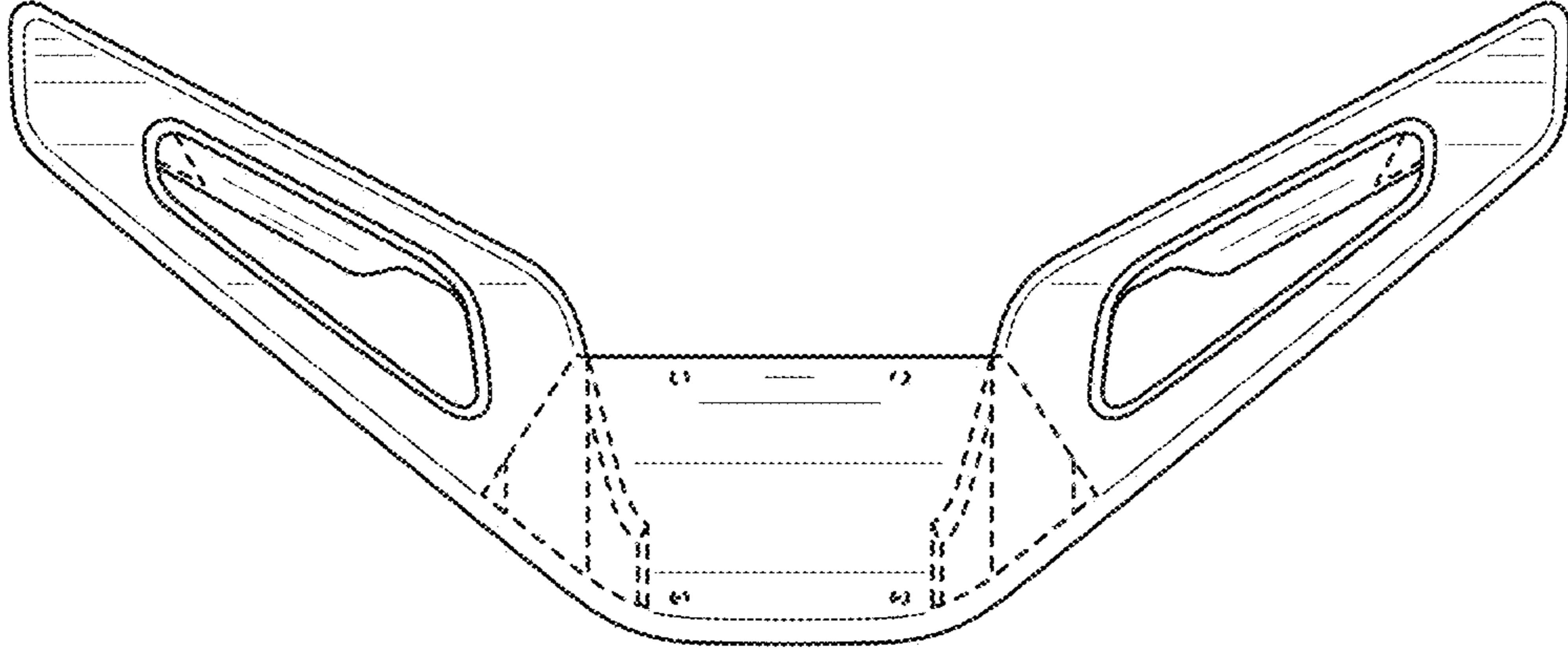


FIG. 8