



US00D877046S

(12) **United States Design Patent**  
**Park**

(10) **Patent No.:** **US D877,046 S**

(45) **Date of Patent:** **\*\* Mar. 3, 2020**

- (54) **CUPHOLDER COMBINED WITH FOODTRAY**
- (71) Applicant: **Min Woo Park**, Incheon (KR)
- (72) Inventor: **Min Woo Park**, Incheon (KR)
- (\*\*) Term: **15 Years**
- (21) Appl. No.: **29/673,330**
- (22) Filed: **Dec. 13, 2018**
- (51) **LOC (12) Cl.** ..... **12-16**
- (52) **U.S. Cl.**  
USPC ..... **D12/419**
- (58) **Field of Classification Search**  
USPC ..... D12/415-426.1  
CPC ..... B64D 11/06; F16M 11/12; F16M 11/10  
See application file for complete search history.

- D868,547 S \* 12/2019 Moore ..... D7/620
- D869,247 S \* 12/2019 Topping ..... D7/619.1
- D869,910 S \* 12/2019 Ye ..... D7/619.1
- 2019/0193618 A1 \* 6/2019 Medoro ..... B60N 3/108
- 2019/0225132 A1 \* 7/2019 Ortega Rojo ..... A47G 23/0208
- 2019/0263310 A1 \* 8/2019 Yumura ..... B60N 3/105

\* cited by examiner

*Primary Examiner* — Katrina A Betton

(74) *Attorney, Agent, or Firm* — Innovation Capital Law Group, LLP; Vic Lin

(57) **CLAIM**

The ornamental design for a cupholder combined with foodtray, as shown and described.

**DESCRIPTION**

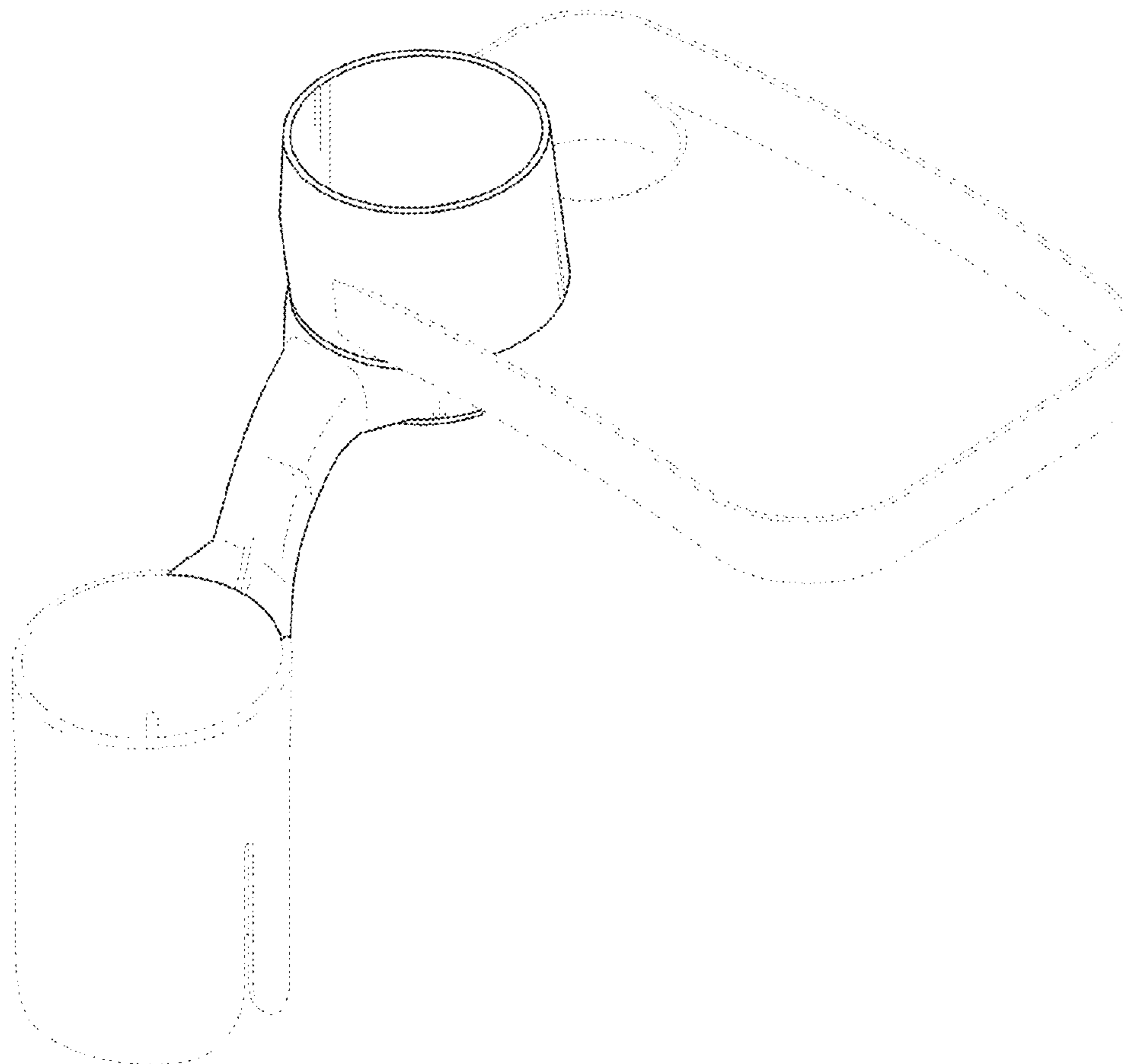
FIG. 1 is a perspective view of a cupholder combined with foodtray;  
 FIG. 2 is a front perspective view thereof;  
 FIG. 3 is a rear perspective view thereof;  
 FIG. 4 is a left elevation view thereof;  
 FIG. 5 is a right elevation view thereof;  
 FIG. 6 is a top plan view thereof;  
 FIG. 7 is a bottom plan view thereof; and,  
 FIG. 8 is an exploded perspective view thereof.  
 The broken lines in the figures are for the purpose of illustrating unclaimed portions of the article and form no part of the claimed design.

(56) **References Cited**

**U.S. PATENT DOCUMENTS**

- D317,998 S \* 7/1991 Sanford ..... D7/701
- D320,331 S \* 10/1991 Paone ..... D7/620
- 10,328,835 B1 \* 6/2019 Meyer ..... B60N 3/107
- D865,646 S \* 11/2019 Patten ..... D12/419
- D867,827 S \* 11/2019 Greengrass ..... D7/619.1
- 10,479,252 B2 \* 11/2019 Agresti ..... B60N 3/101

**1 Claim, 8 Drawing Sheets**



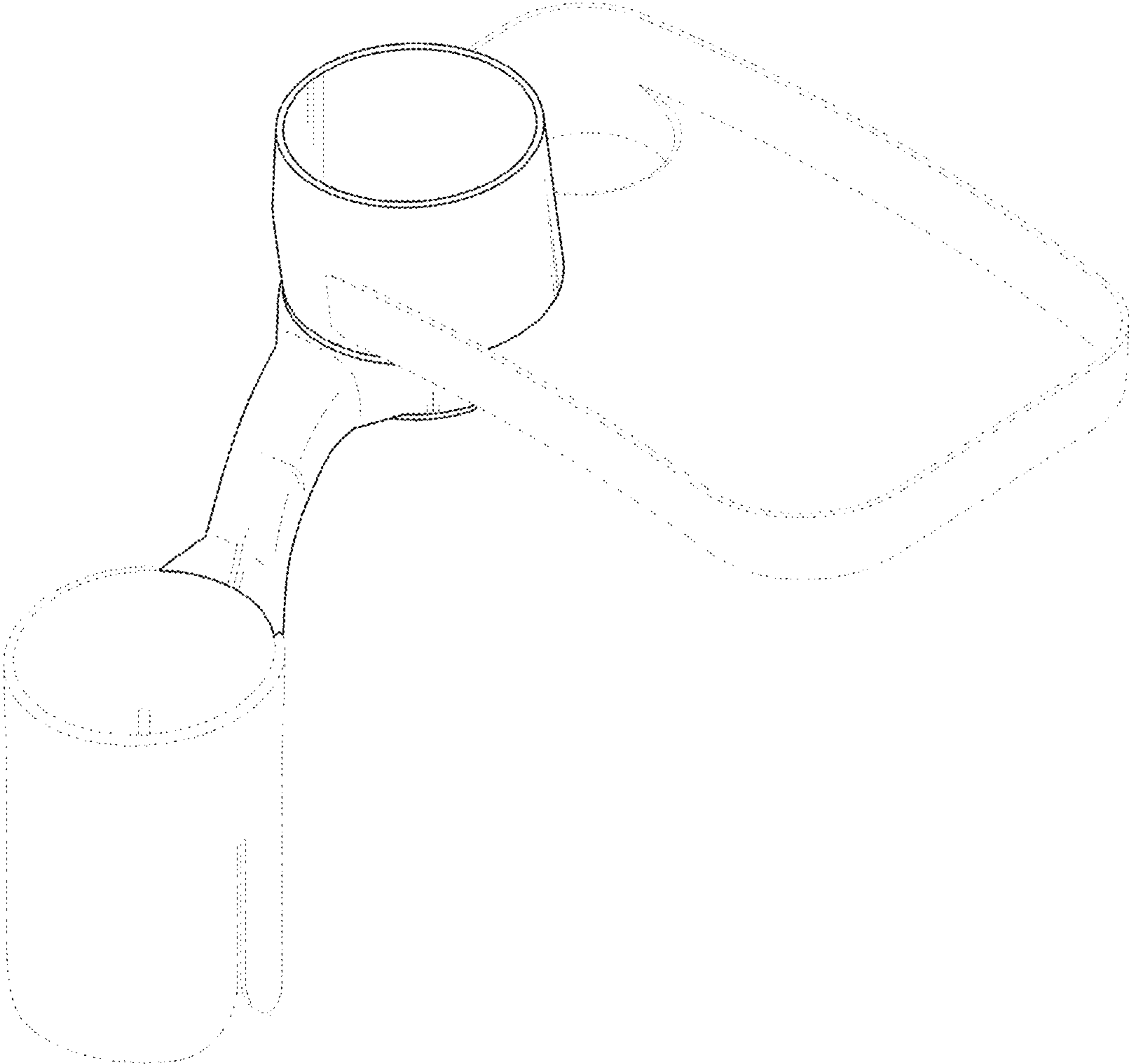


FIG. 1

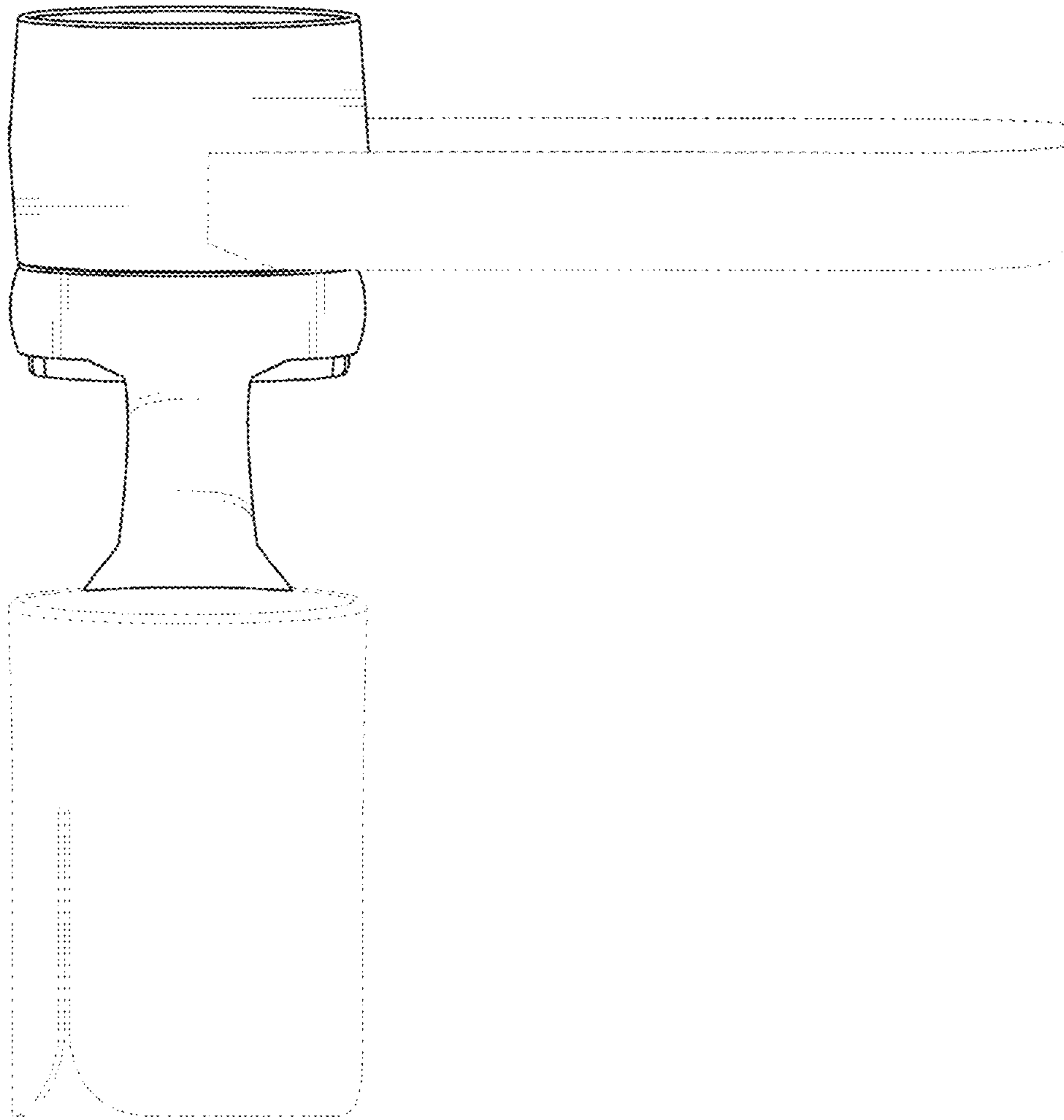


FIG. 2

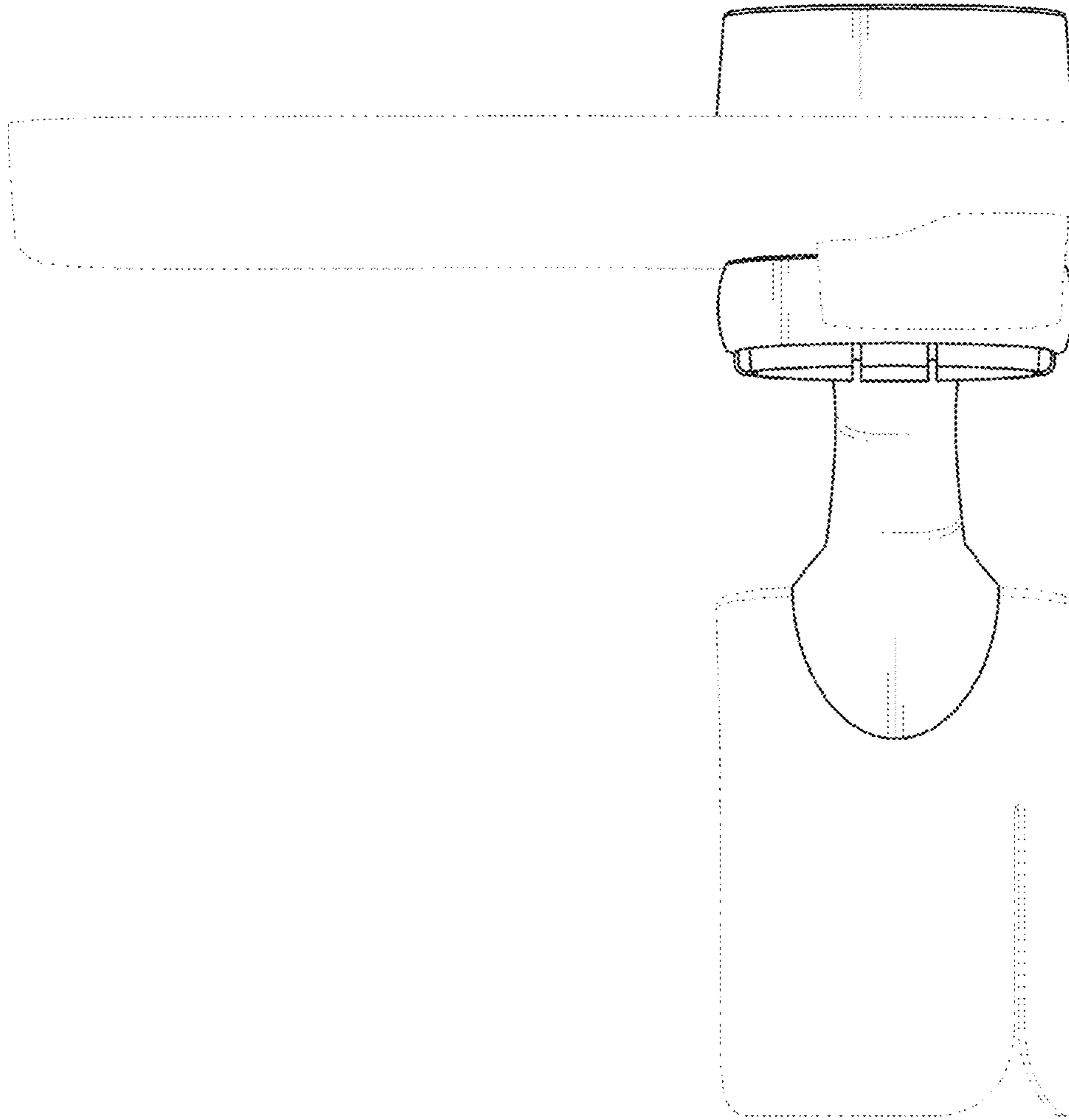


FIG. 3

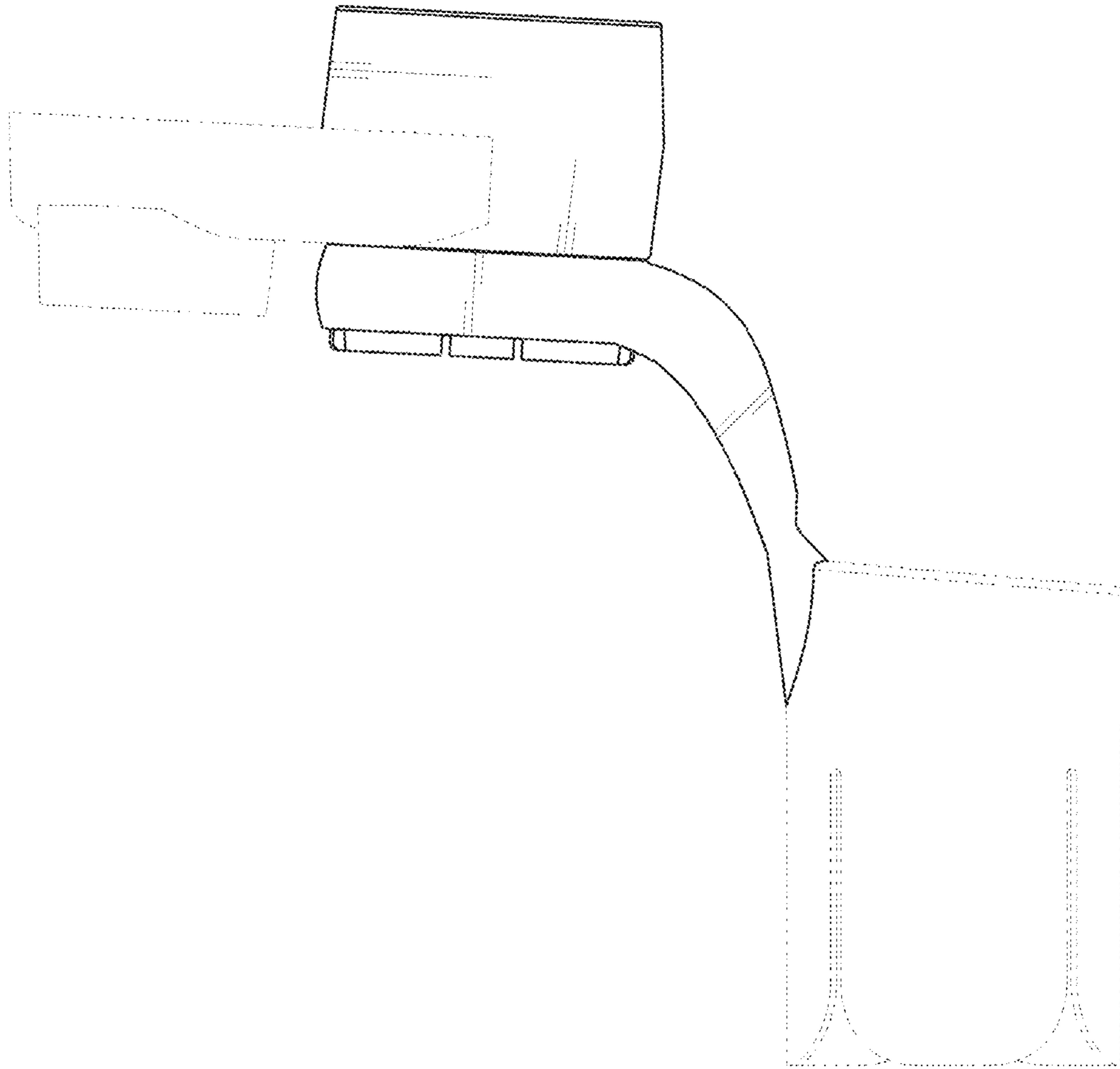


FIG. 4

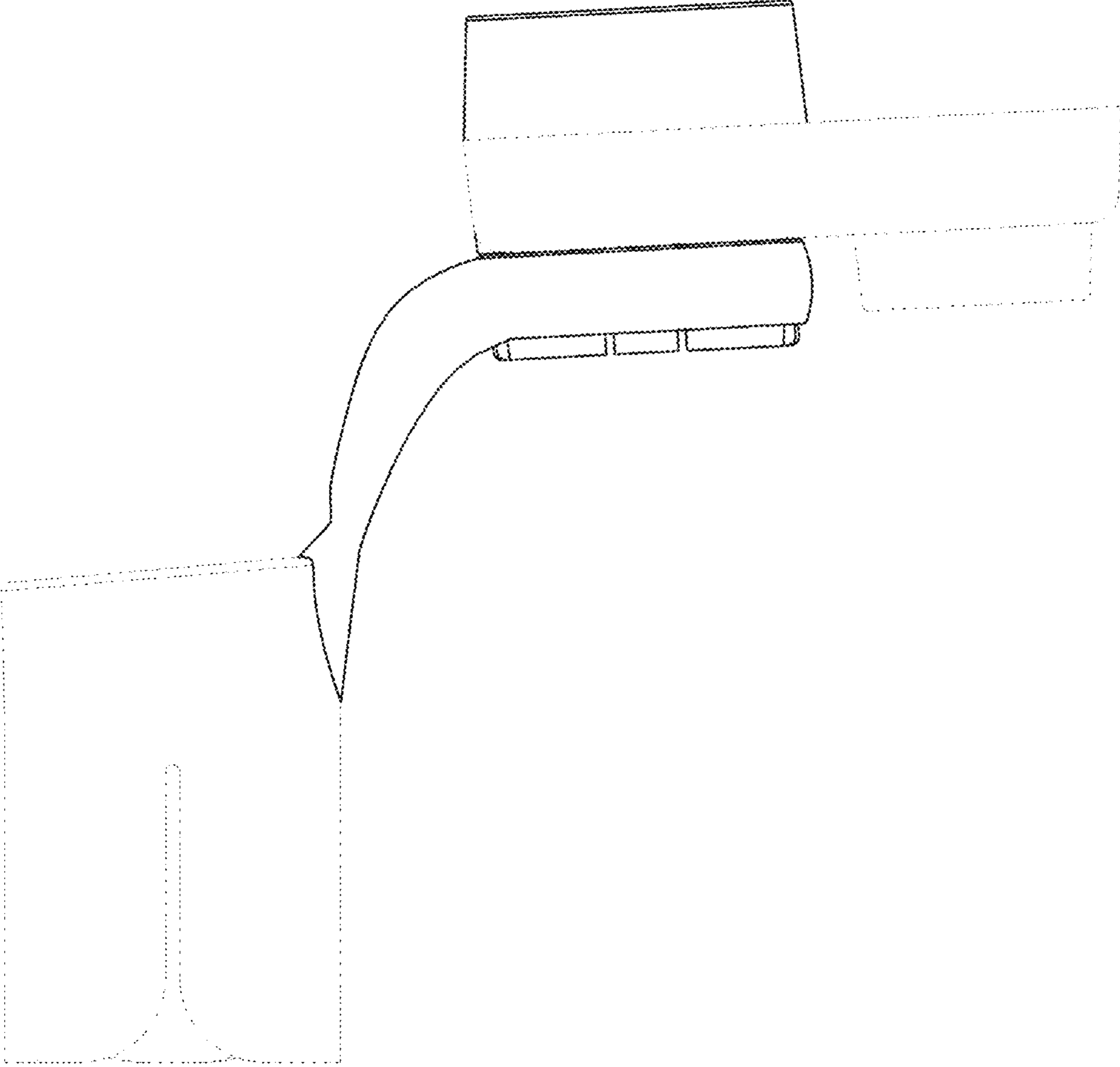


FIG. 5

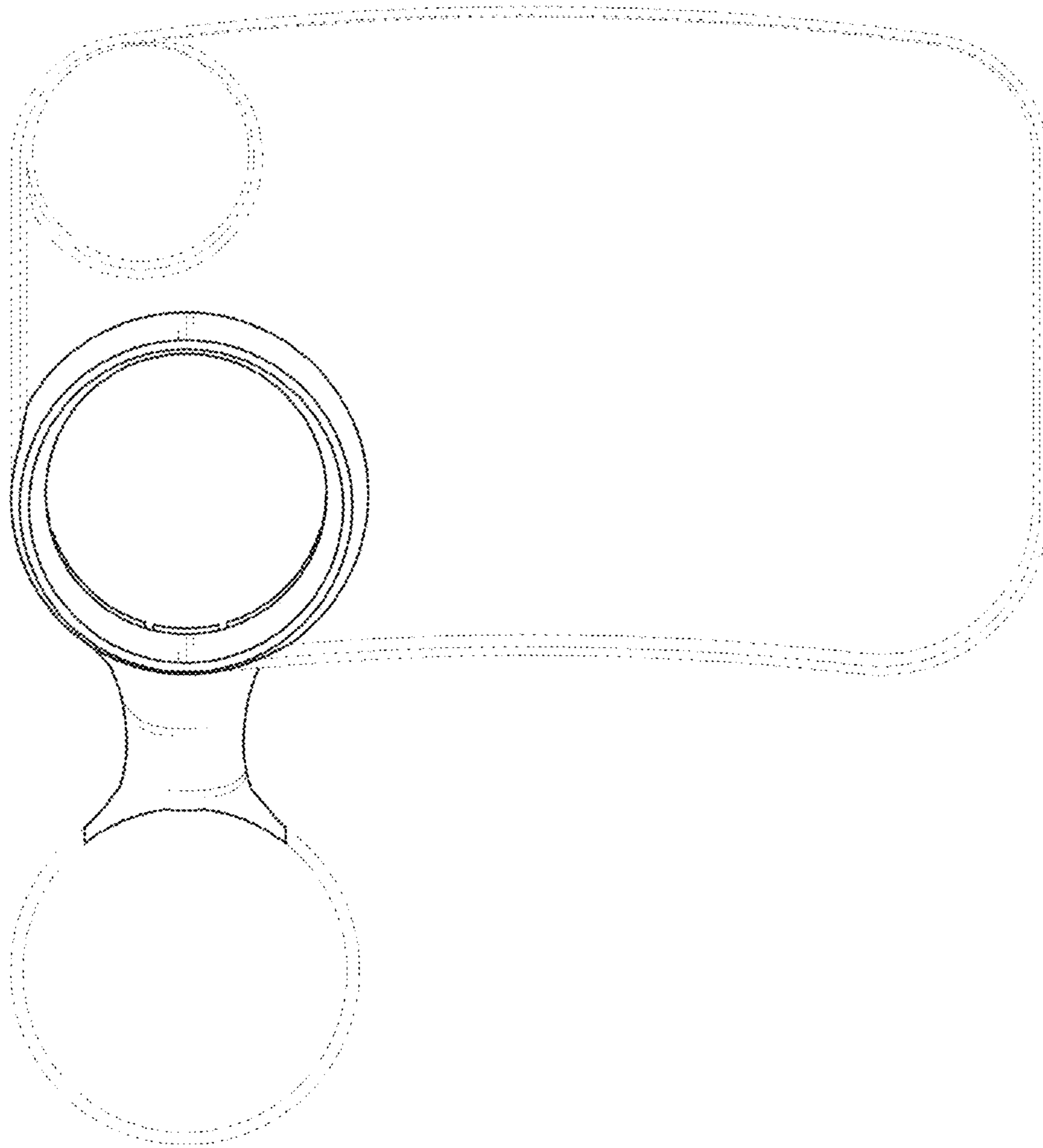


FIG. 6

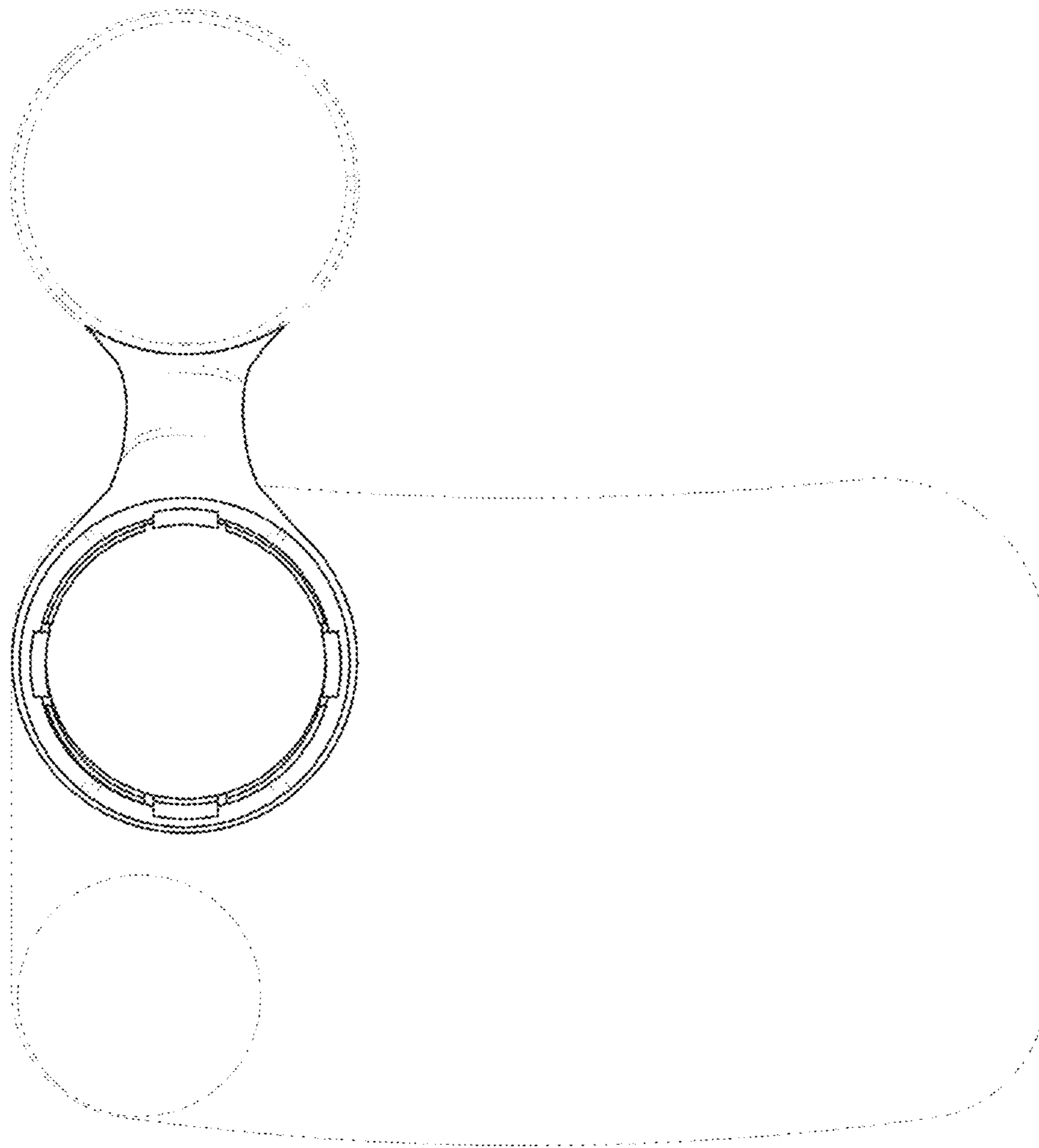


FIG. 7



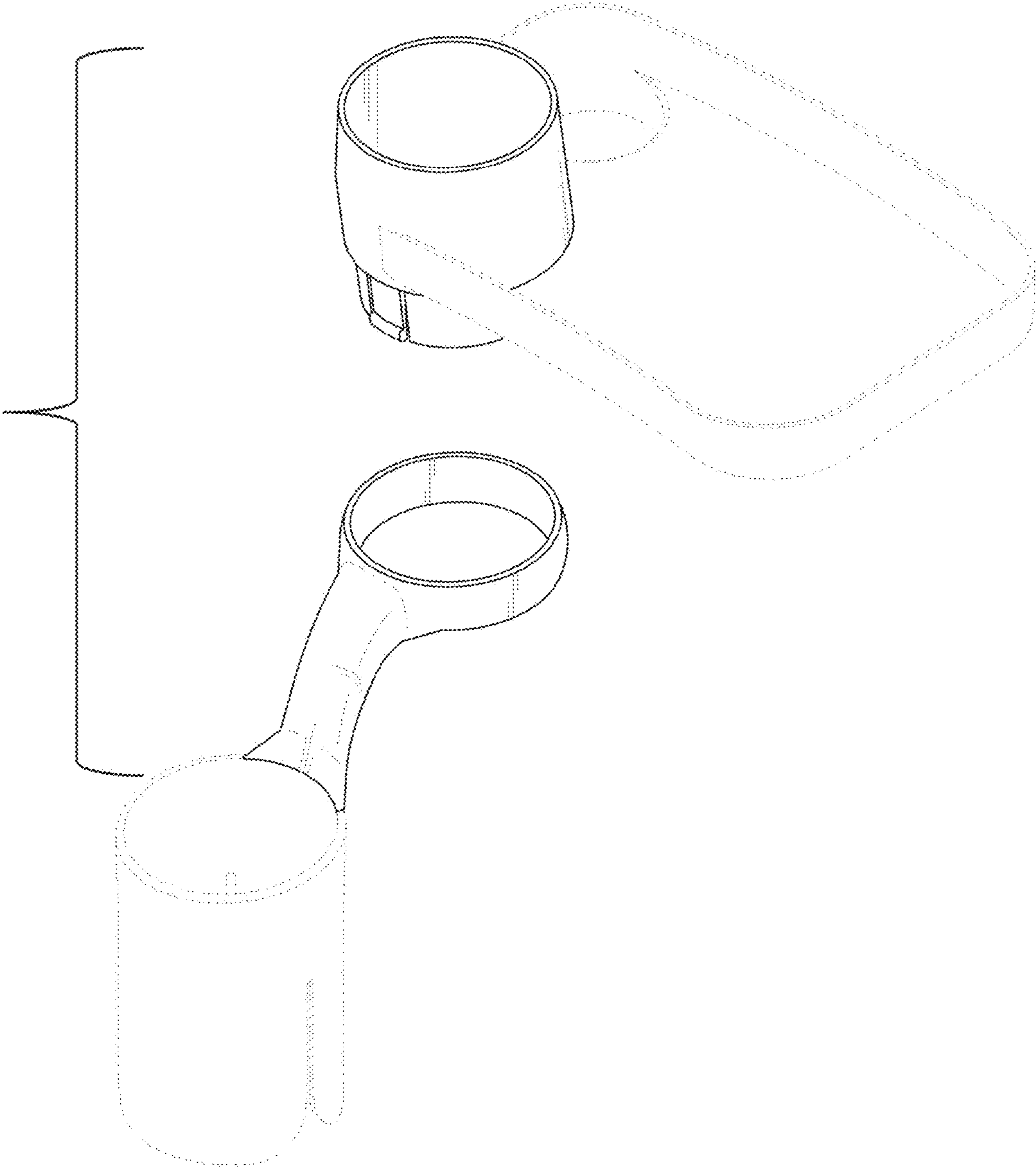


FIG. 8