



US00D877045S

(12) **United States Design Patent** (10) **Patent No.:** **US D877,045 S**
Johnson et al. (45) **Date of Patent:** **** Mar. 3, 2020**

(54) **CUP HOLDER**

(71) Applicant: **Caterpillar Inc.**, Deerfield, IL (US)

(72) Inventors: **Terril Johnson**, Washington, IL (US);
Ashley Menges, Clayton, NC (US)

(73) Assignee: **Caterpillar Inc.**, Peoria, IL (US)

(**) Term: **15 Years**

(21) Appl. No.: **29/657,471**

(22) Filed: **Jul. 23, 2018**

(51) **LOC (12) Cl.** **12-16**

(52) **U.S. Cl.**
USPC **D12/419; D7/620**

(58) **Field of Classification Search**
USPC D7/619.1-625; D12/419, 420, 423, 425;
D6/531, 535
CPC A47G 23/0216; B60N 3/103; B60N 3/106
See application file for complete search history.

(56) **References Cited**

U.S. PATENT DOCUMENTS

D265,351 S *	7/1982	Wooters	D12/420
4,606,523 A *	8/1986	Statz	A47G 23/0225
				211/74
4,767,092 A *	8/1988	Weatherly	A47K 1/08
				248/214
4,779,831 A *	10/1988	Anderson	B60N 3/103
				248/205.2
4,915,337 A *	4/1990	Iwasaki	B60N 3/103
				224/482
D329,358 S *	9/1992	Espinosa, Jr.	D7/620
D340,388 S *	10/1993	Sedivec	D7/620
D358,303 S *	5/1995	Guarrera	D12/411
D373,934 S *	9/1996	Morris	D7/620
D373,935 S *	9/1996	Cole	D7/620
D413,563 S *	9/1999	Gravenstreter	D12/419
6,050,468 A *	4/2000	Kelley	
D424,511 S *	5/2000	Surridge	D12/419
D501,444 S *	2/2005	Andrews	D12/420

7,147,192 B2	12/2006	Kong	
8,360,380 B2	1/2013	Soma et al.	
D714,594 S *	10/2014	Blandl D12/419
9,120,402 B2	9/2015	Caruso et al.	
9,174,799 B2	11/2015	Virgen	
D755,575 S *	5/2016	Pratt D7/620

(Continued)

FOREIGN PATENT DOCUMENTS

JP 2004042730 12/2004

OTHER PUBLICATIONS

Andrew Liu. "The Best Car Cup Holders in 2019." Car Bibles., Jul. 31, 2019 [online], [retrieved on Oct. 23, 20. Top 10 The Best. , Oct. 8, 2019 [online], [retrieved on Oct. 23, 2019]. Retrieved from the Internet <URL: <https://www.carbibles.com/best-car-cup-holder/>>.*

(Continued)

Primary Examiner — Darlington Ly
(74) *Attorney, Agent, or Firm* — Saidman Design Law Group

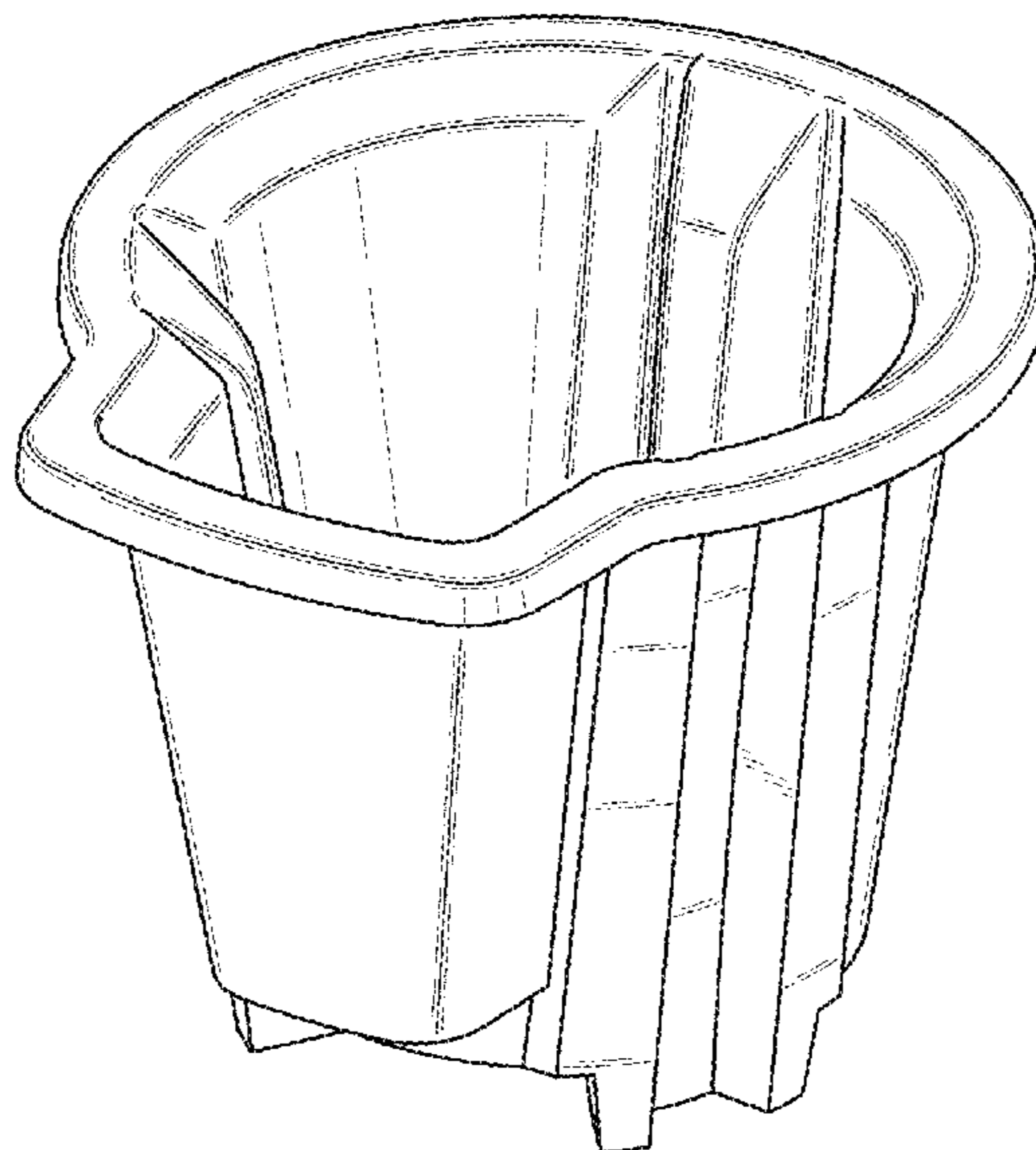
(57) **CLAIM**

The ornamental design for a cup holder, as shown and described.

DESCRIPTION

FIG. 1 is a perspective view of a cup holder showing our new design;
FIG. 2 is a front view thereof;
FIG. 3 is a rear view thereof;
FIG. 4 is a left side view thereof;
FIG. 5 is a right side view thereof;
FIG. 6 is a top view thereof; and,
FIG. 7 is a bottom view thereof.
The drawings include surface shading which represents contour and not surface ornamentation.

1 Claim, 4 Drawing Sheets



(56)

References Cited

U.S. PATENT DOCUMENTS

9,428,093 B2 8/2016 Kupina
D837,613 S * 1/2019 Nichols D7/620
D856,091 S * 8/2019 Winterhalter A47C 4/20
D7/620
2017/0174110 A1 6/2017 Cooper et al.

OTHER PUBLICATIONS

Andrew Liu. "Top 10 Best Car Cup Holders in 2019." Top 10 The Best., Oct. 8, 2019 [online], [retrieved on Oct. 23, 2019]. Retrieved from the Internet <URL: <https://www.toptenthebest.com/top-10-best-car-cup-holders/>>.*

* cited by examiner

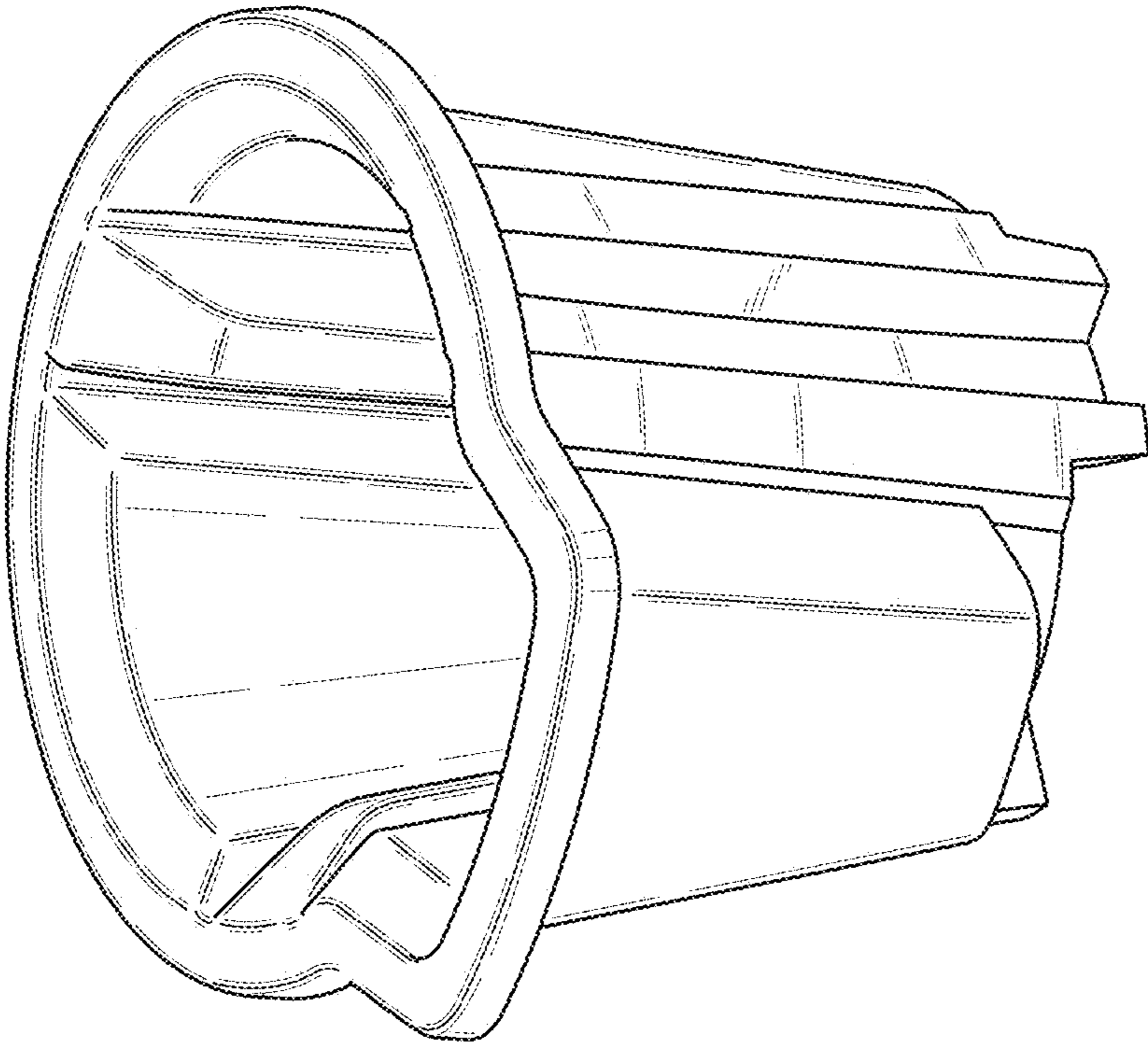


Fig. 1

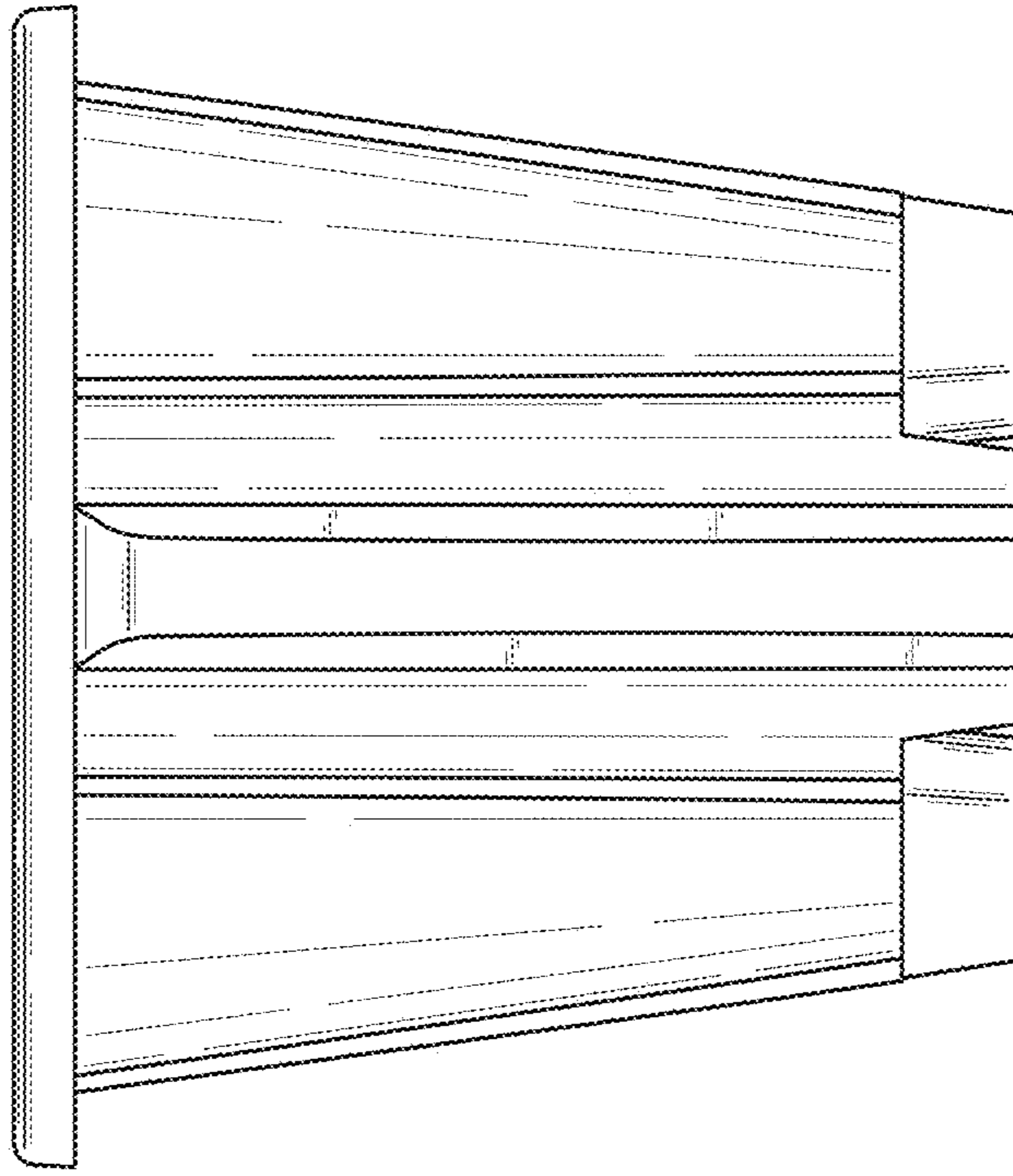


Fig. 2

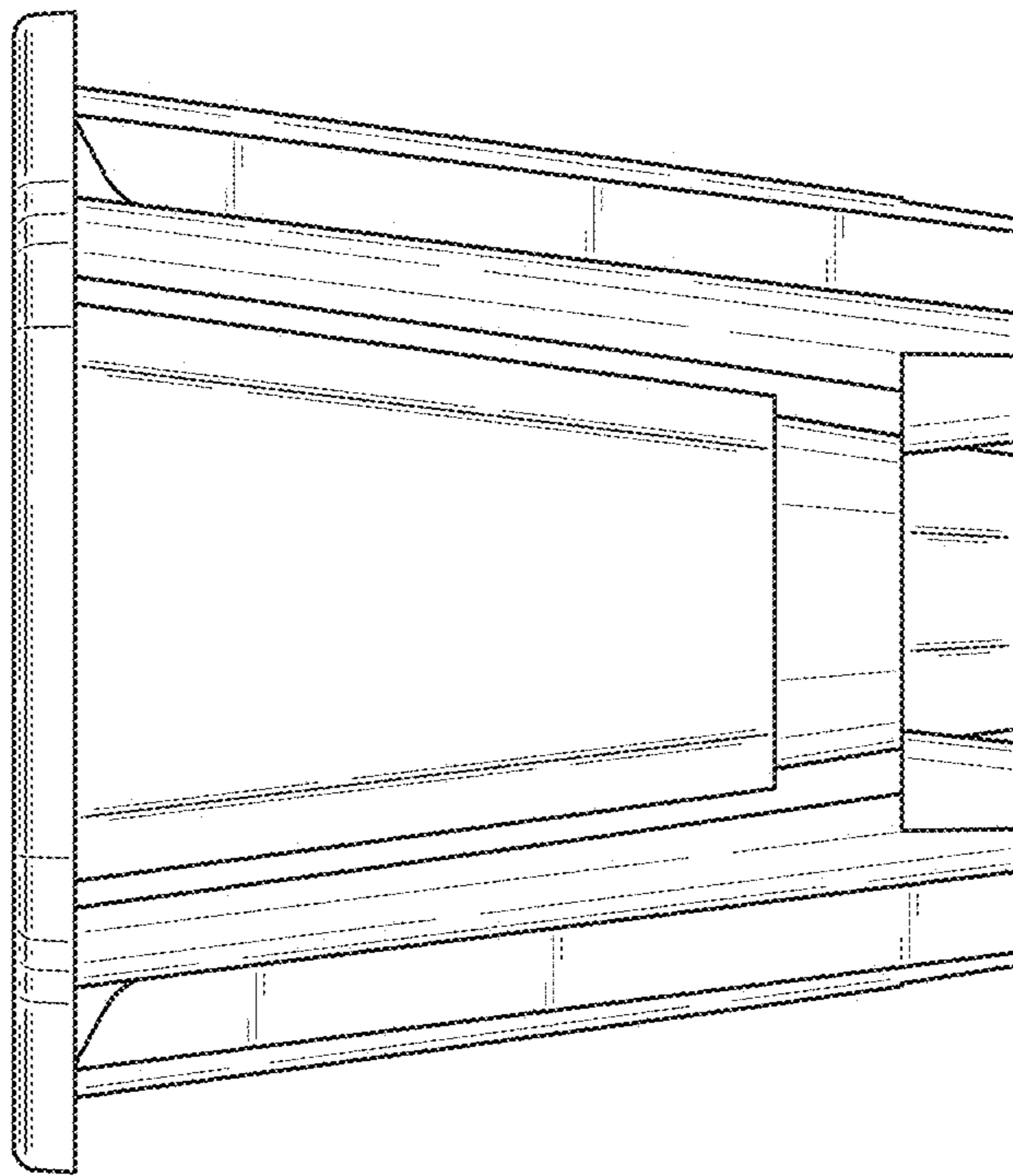


Fig. 3

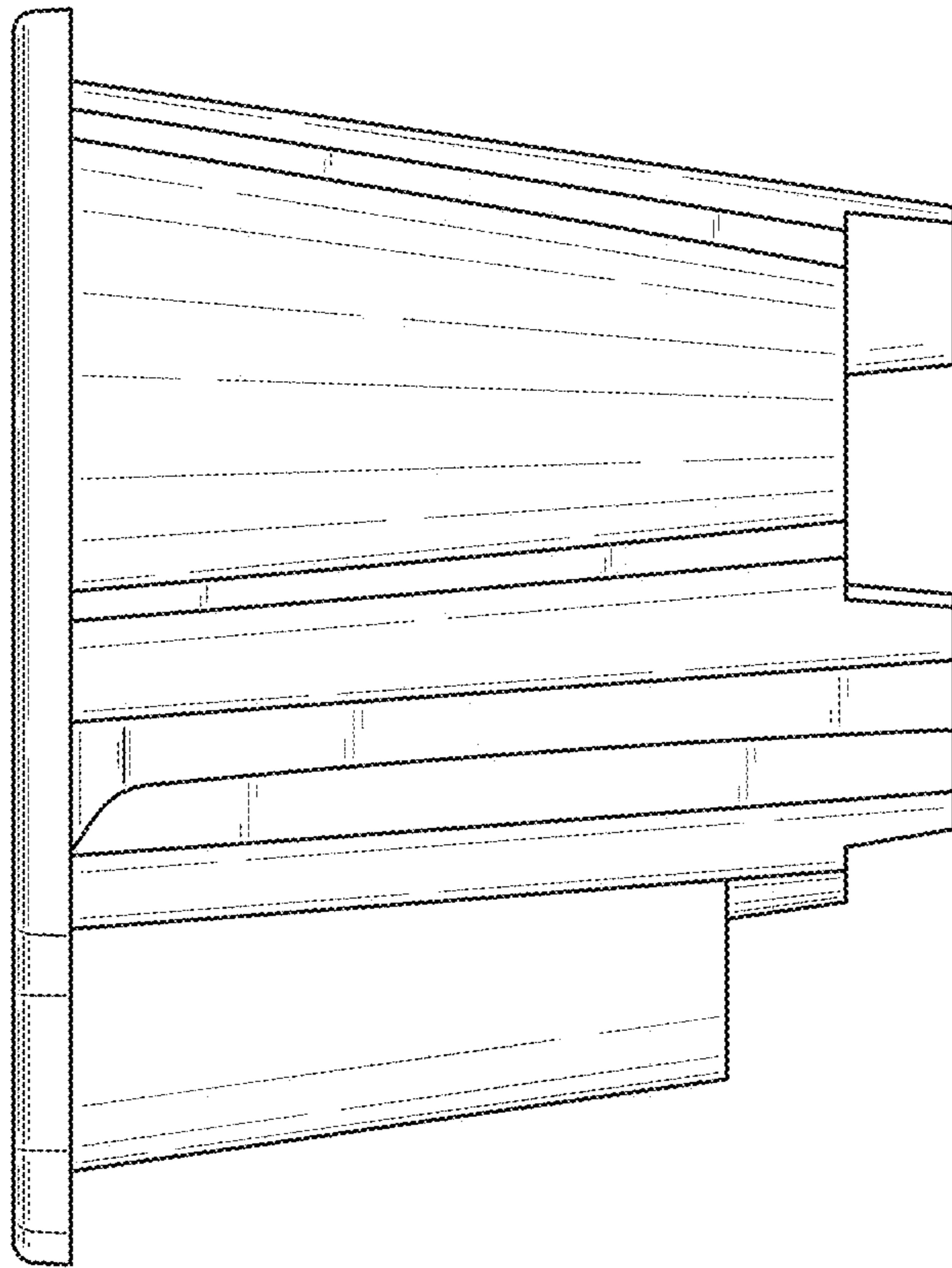


Fig. 5

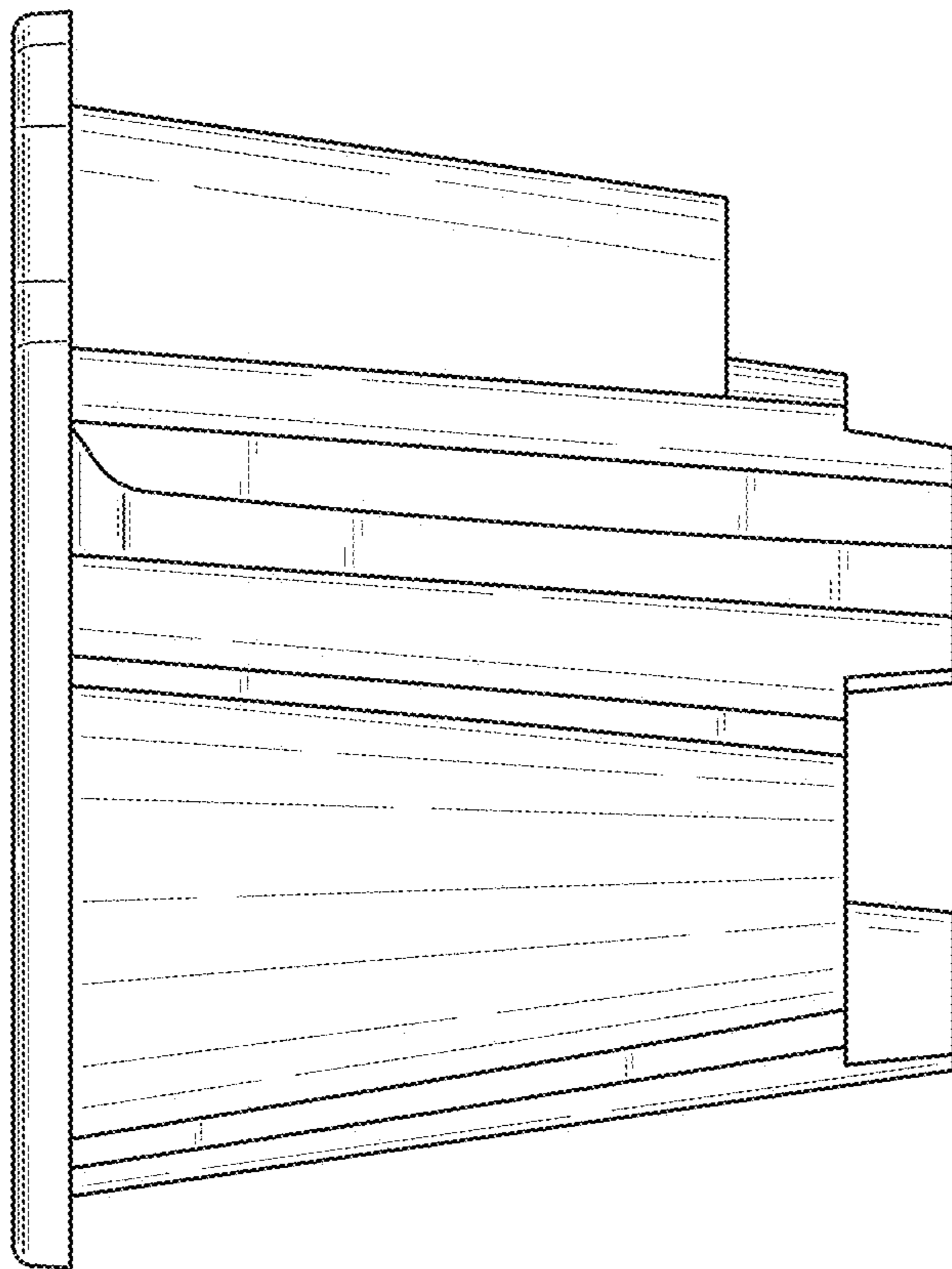


Fig. 4

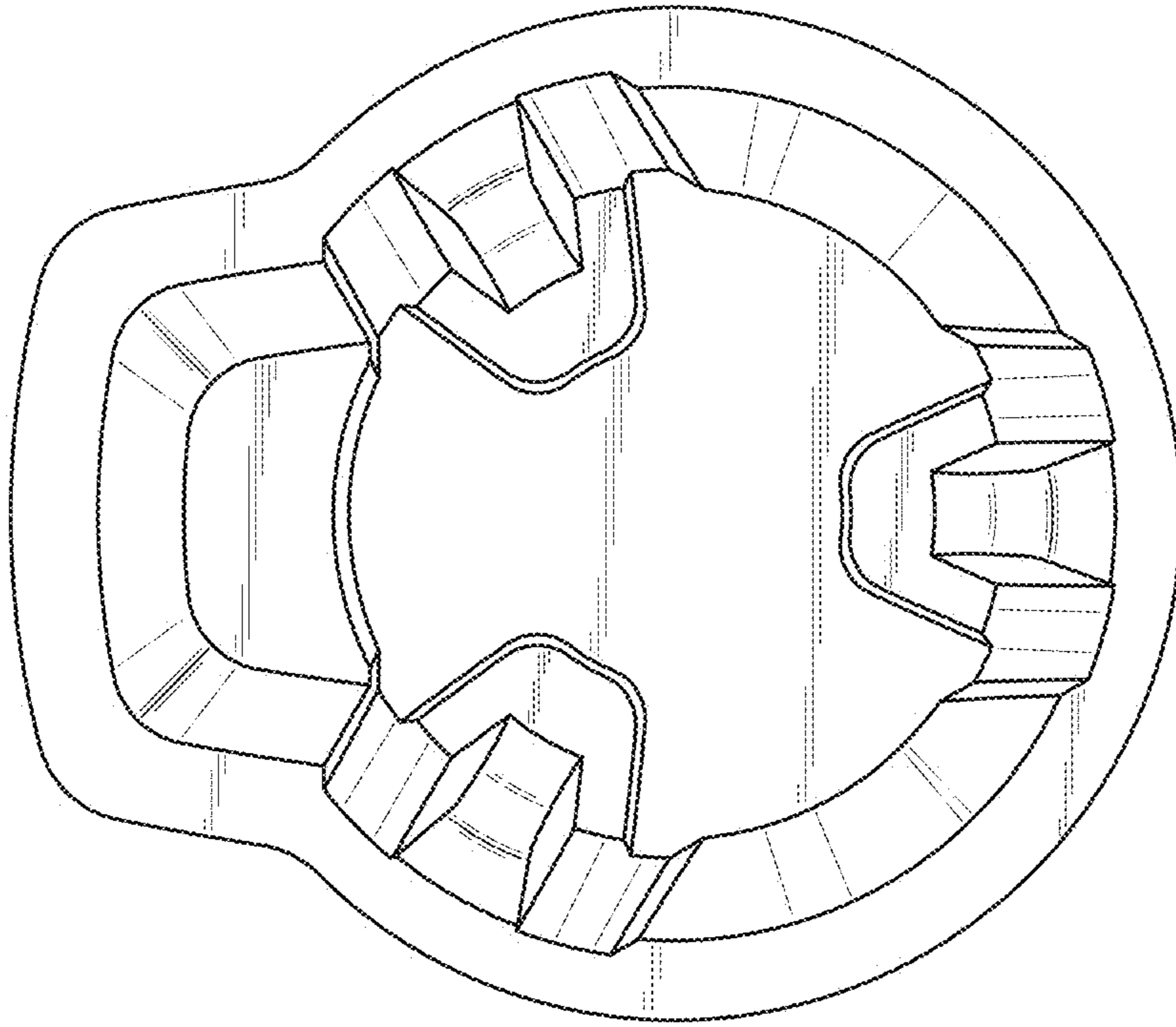


Fig. 7

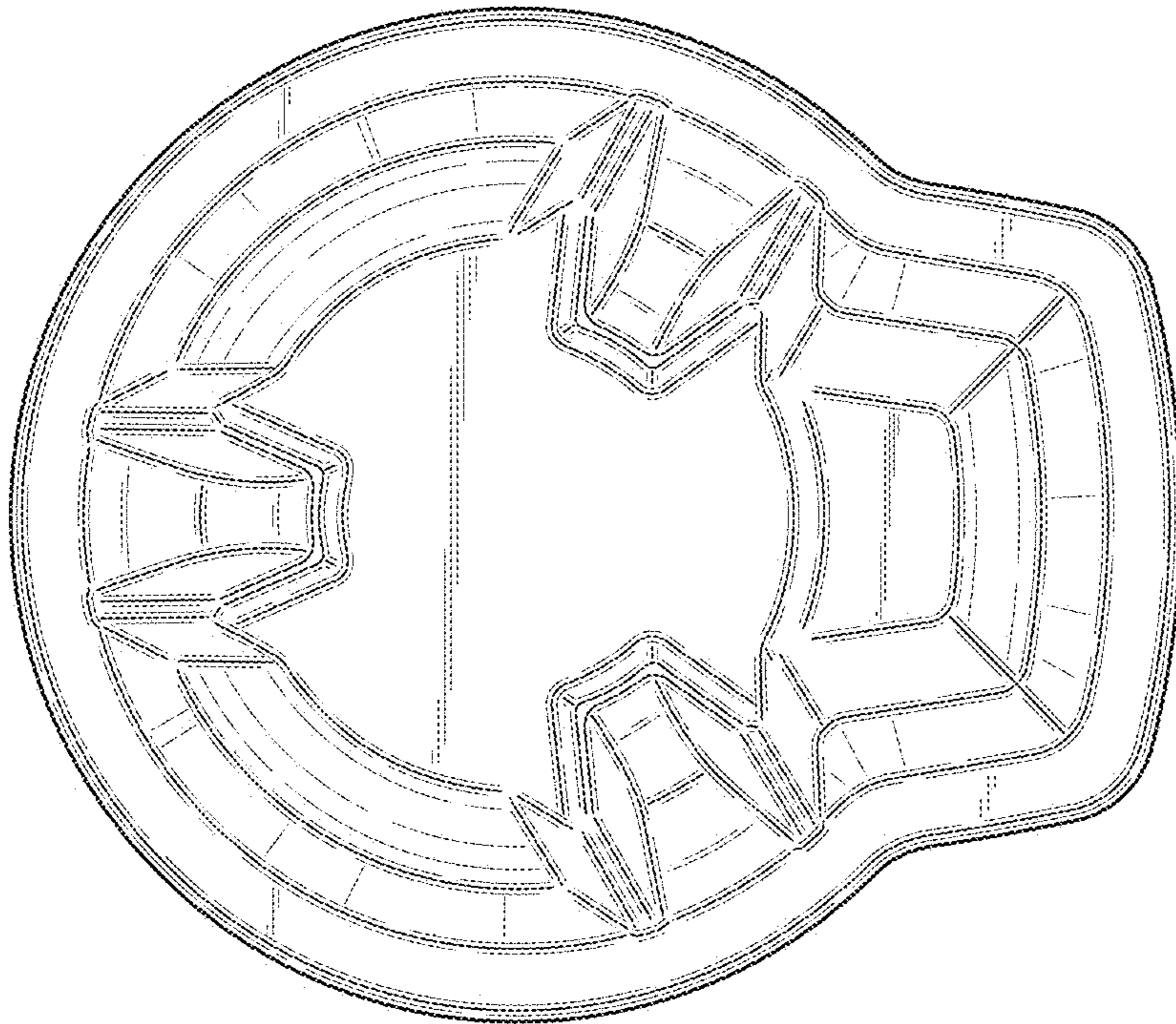


Fig. 6