



US00D877044S

(12) **United States Design Patent**
Currier

(10) **Patent No.:** **US D877,044 S**

(45) **Date of Patent:** **** Mar. 3, 2020**

(54) **STORAGE CONTAINER**

(71) Applicant: **TALUS CORPORATION**, Portland,
ME (US)

(72) Inventor: **Jason Currier**, Portland, ME (US)

(73) Assignee: **Talus Corporation**, Portland, ME (US)

(**) Term: **15 Years**

(21) Appl. No.: **29/668,334**

(22) Filed: **Oct. 30, 2018**

(51) **LOC (12) Cl.** **12-16**

(52) **U.S. Cl.**
USPC **D12/416**

(58) **Field of Classification Search**
USPC D12/415-420, 400, 191, 423;
D6/513-514, 553, 556, 559; D14/253
CPC B60R 11/02; B60R 2011/0005
See application file for complete search history.

(56) **References Cited**

U.S. PATENT DOCUMENTS

D450,448 S * 11/2001 Pierce D3/216
D506,434 S * 6/2005 Ling D12/416
D602,688 S * 10/2009 Smith D3/233

D602,693 S * 10/2009 McClees D3/304
D632,242 S * 2/2011 Currie D12/416
D658,568 S * 5/2012 Currier D12/416
D692,229 S * 10/2013 Archambeau D3/217
D716,717 S * 11/2014 Swartzel D12/416
D784,908 S * 4/2017 Kalchuri D12/416
D801,910 S * 11/2017 Salisbury D12/416
D819,545 S * 6/2018 O'Connor D12/416
D851,936 S * 6/2019 Lit Chung D3/315

* cited by examiner

Primary Examiner — Katrina A Betton

(74) *Attorney, Agent, or Firm* — Tredecim LLC; Sean L. Sweeny; Taylor A. Noonan

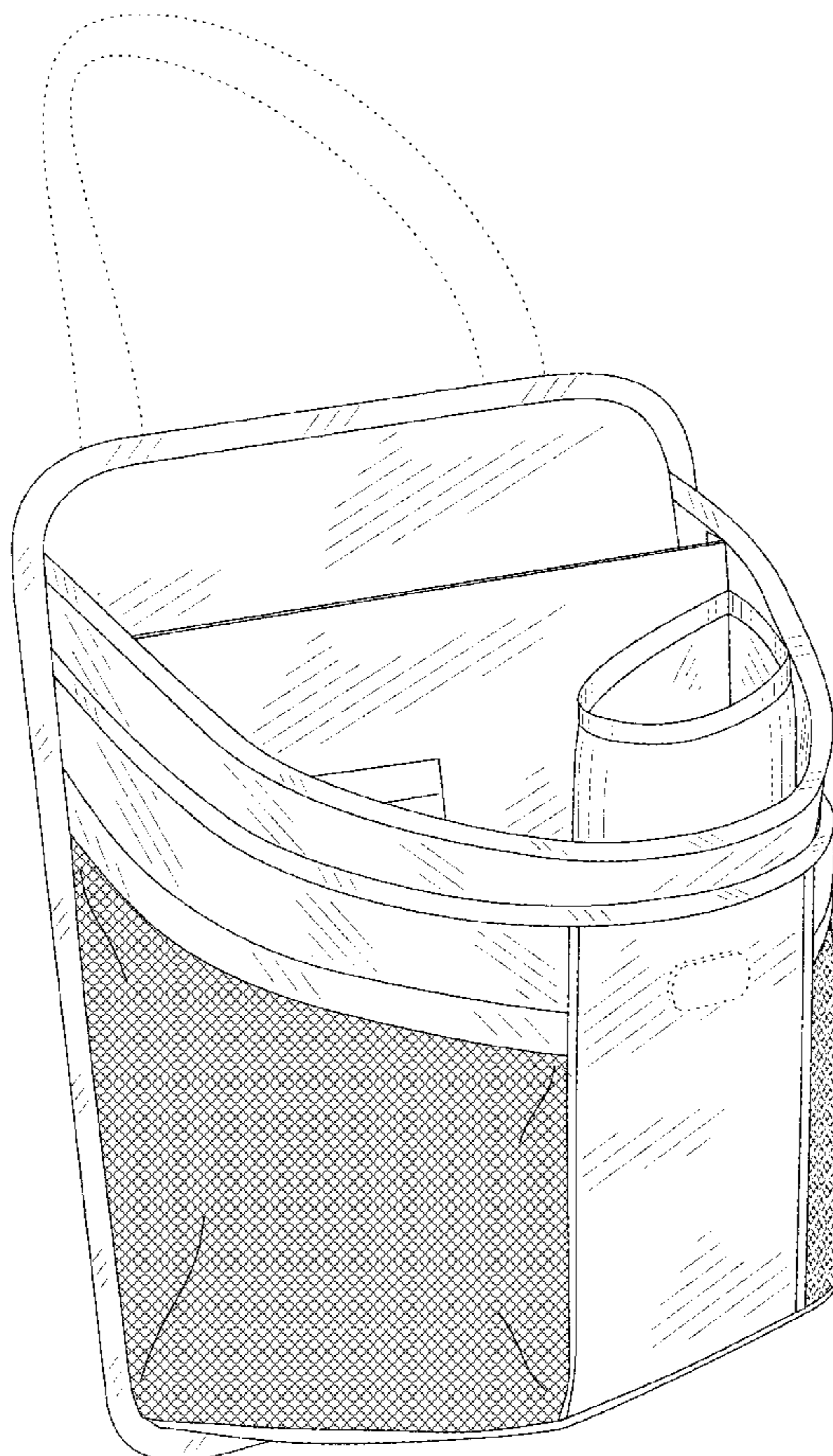
(57) **CLAIM**

The ornamental design for a storage container, as shown and described.

DESCRIPTION

FIG. 1 is a perspective view of a storage container showing my new design;
FIG. 2 is a left side view thereof;
FIG. 3 is a right side view thereof;
FIG. 4 is a front view thereof;
FIG. 5 is a back view thereof;
FIG. 6 is a top view thereof; and,
FIG. 7 is a bottom view thereof.
In the drawings, the broken lines depict portions of the article that form no portion of the claimed design.

1 Claim, 7 Drawing Sheets



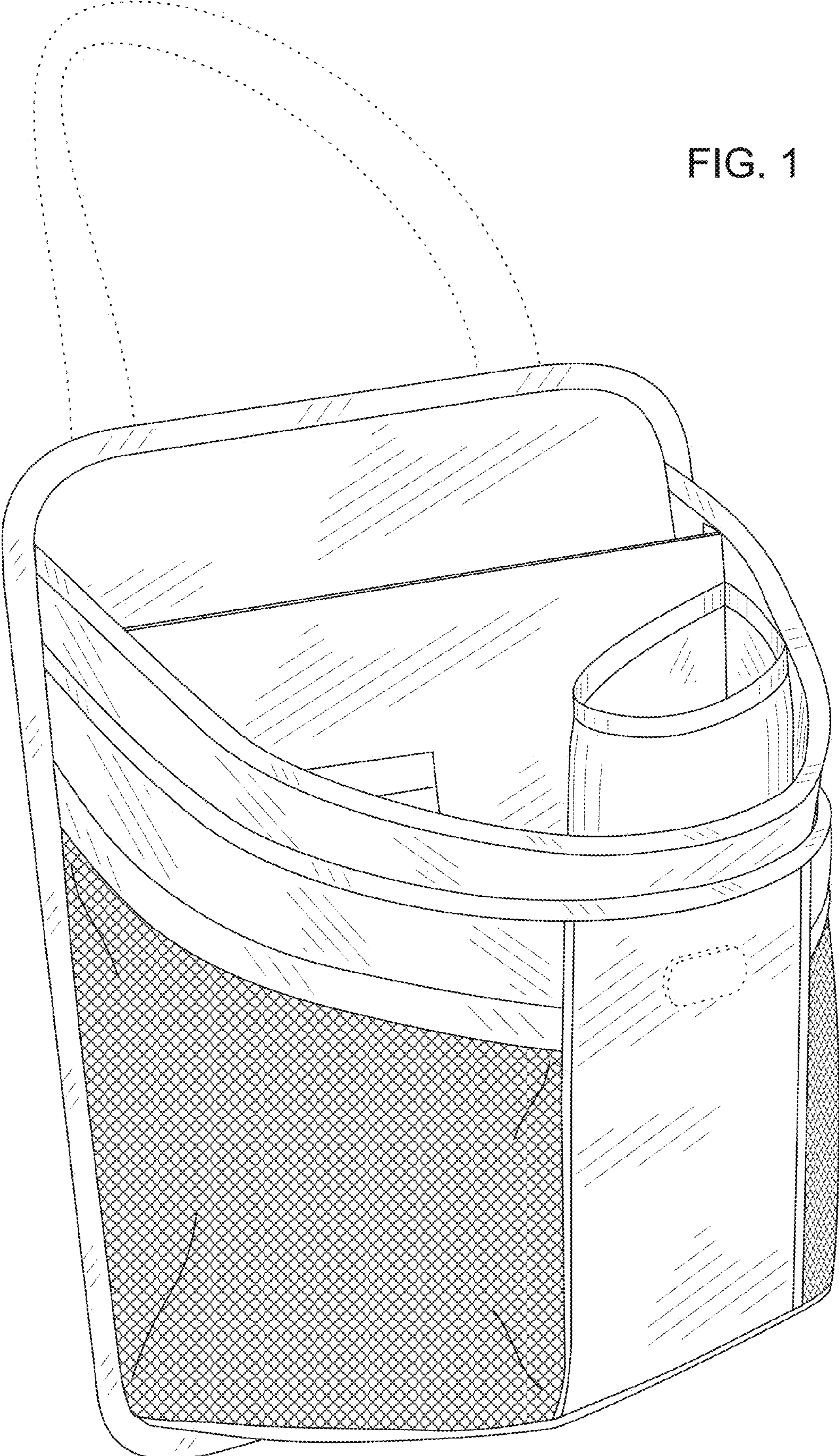


FIG. 1

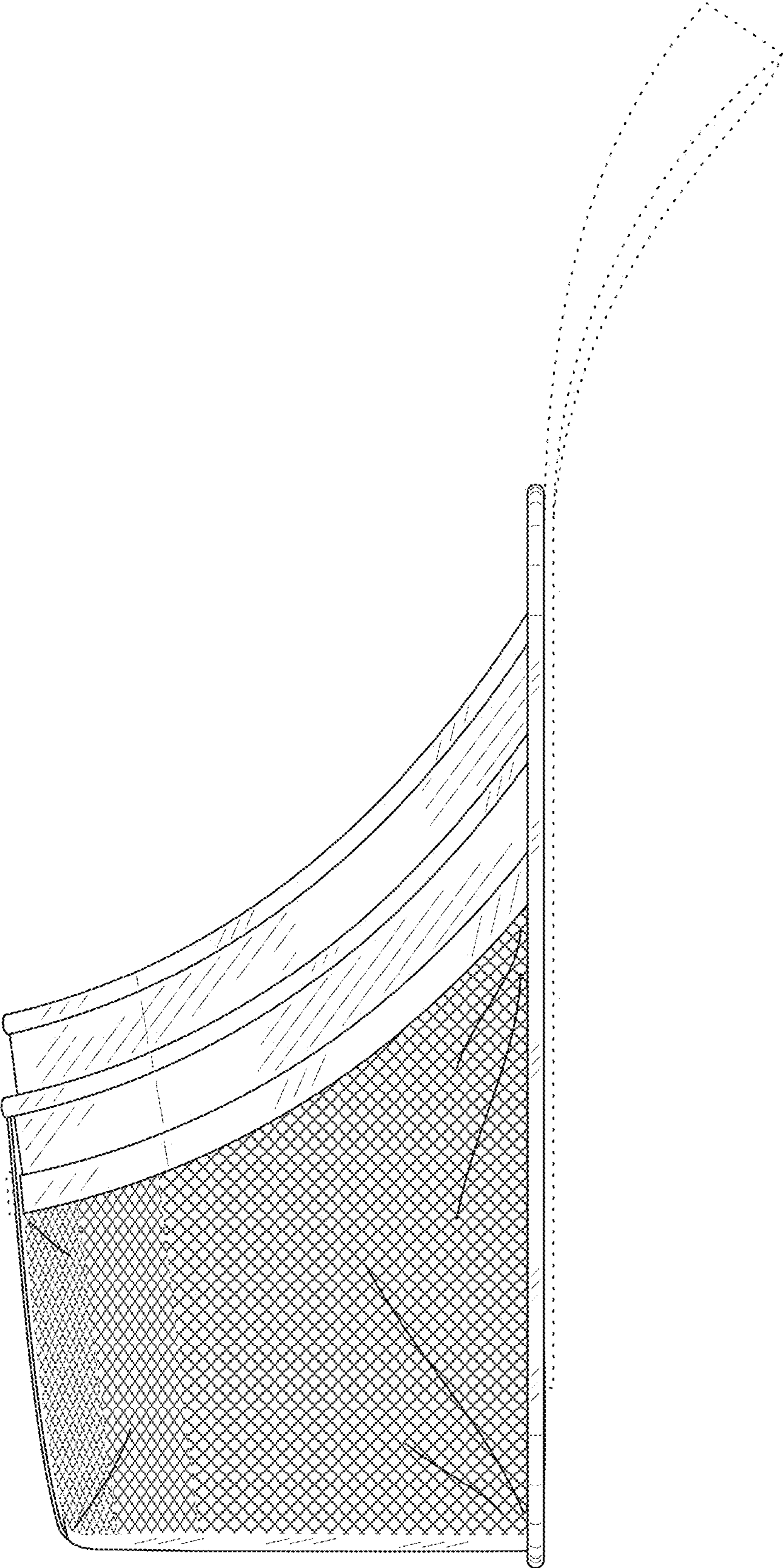


FIG. 2

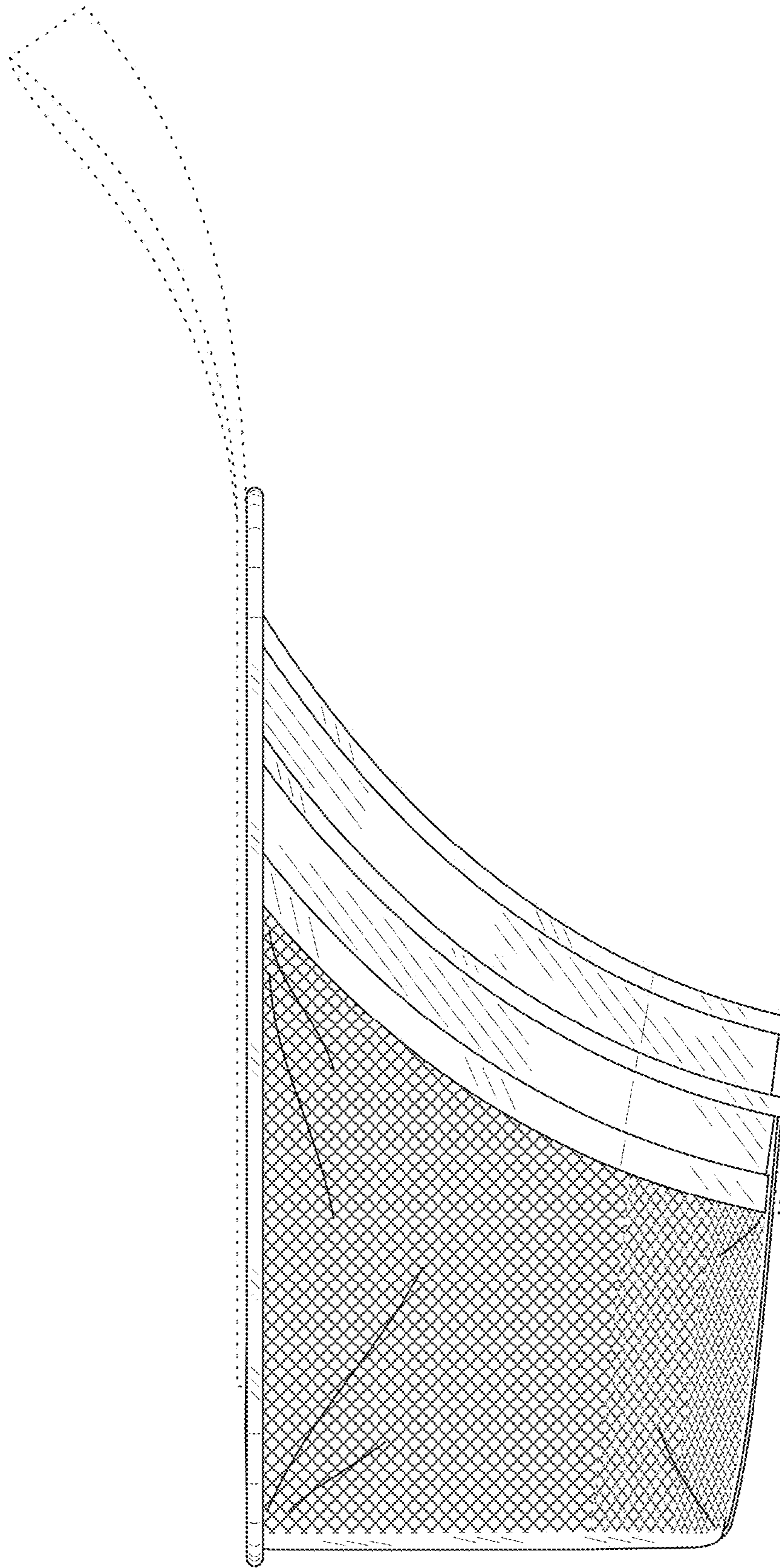


FIG. 3

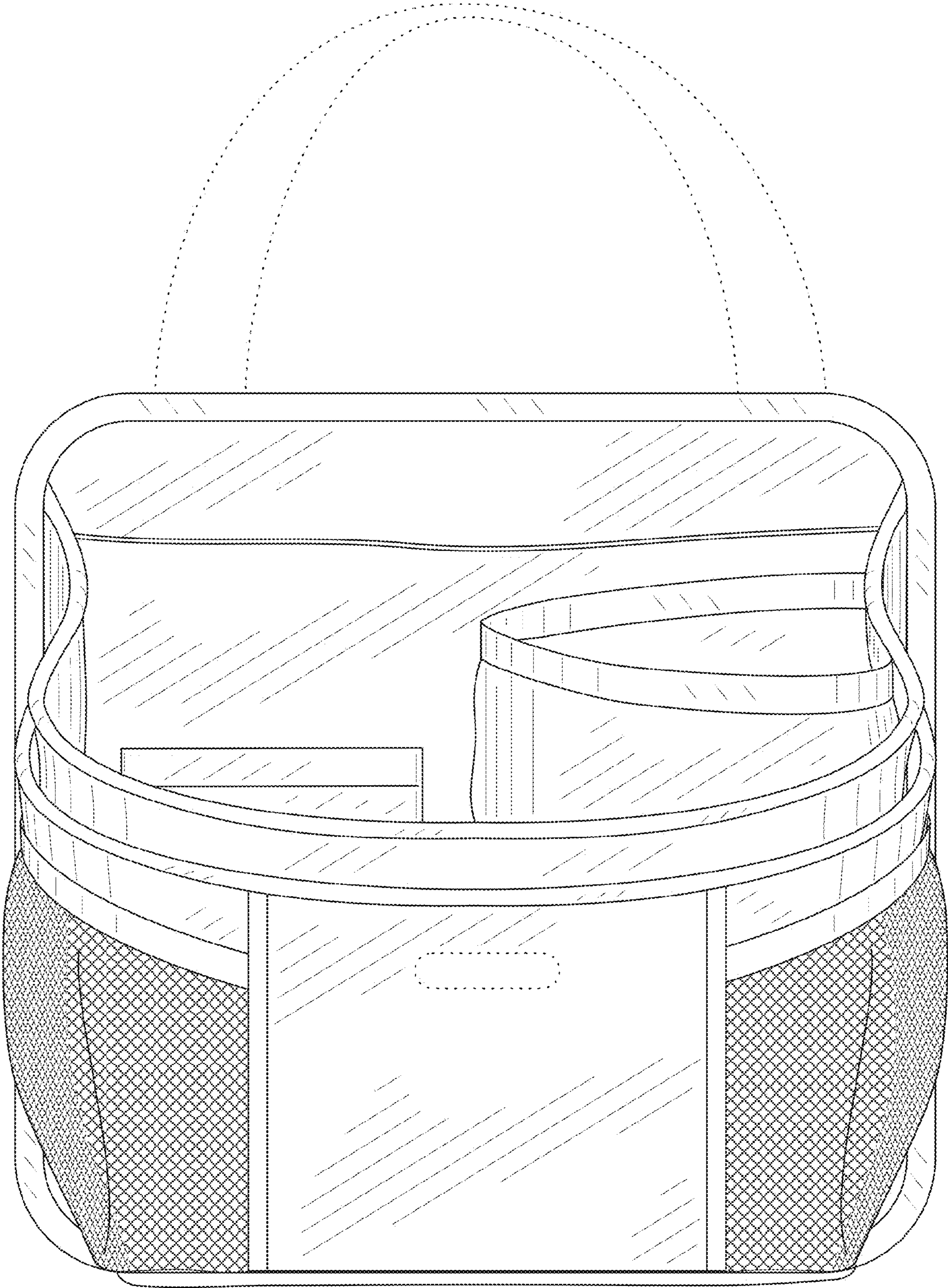


FIG. 4

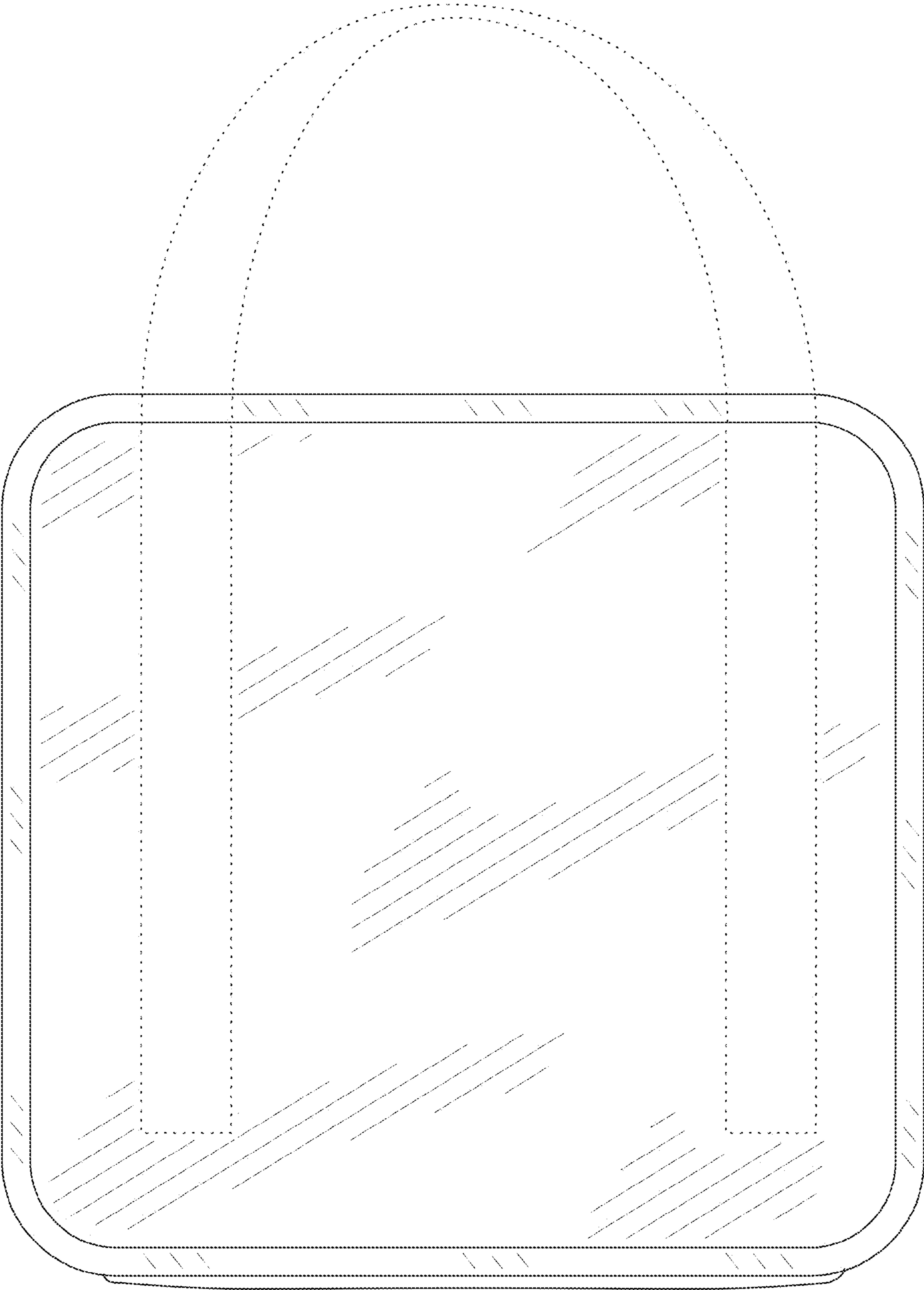


FIG. 5

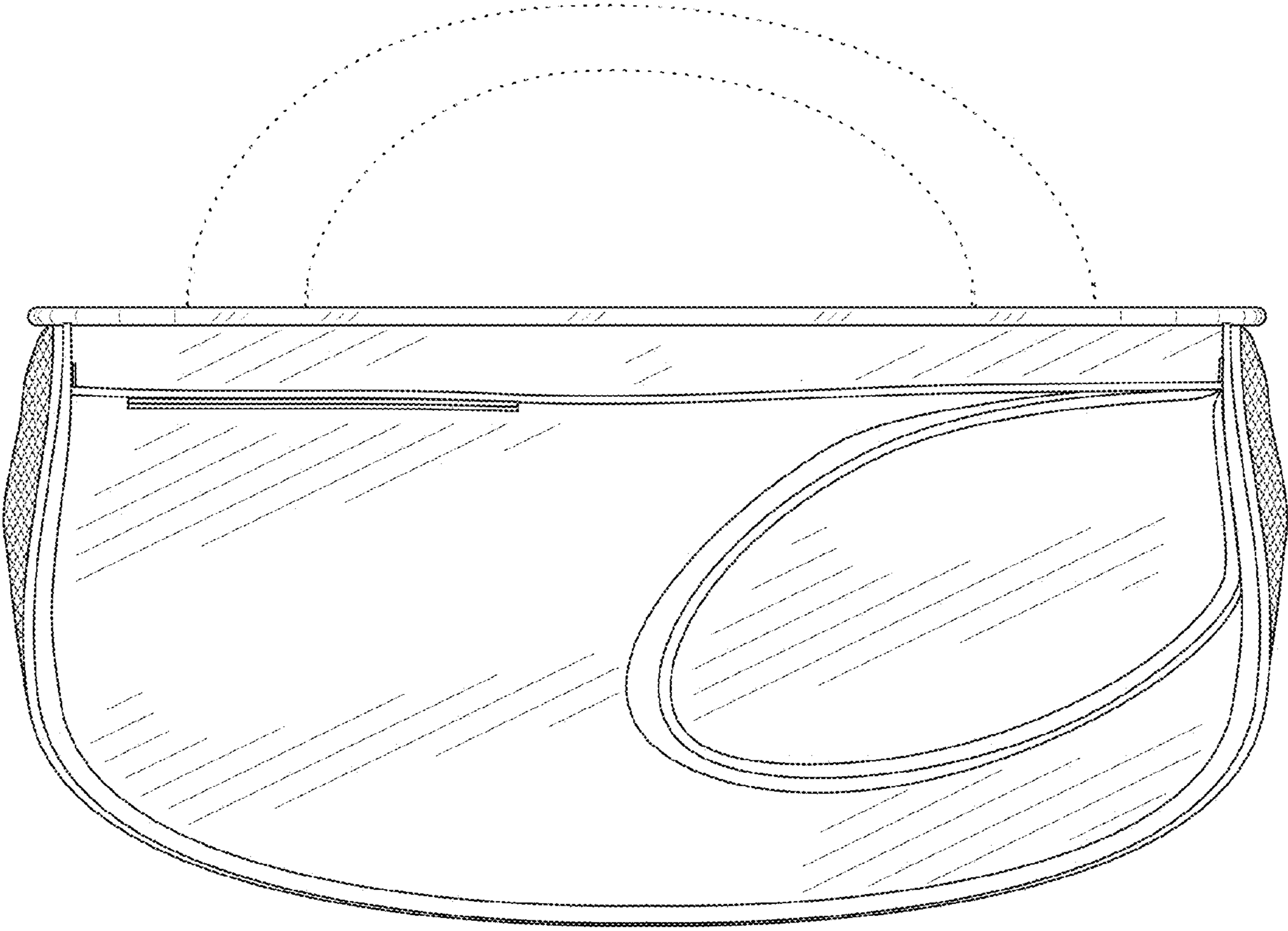


FIG. 6

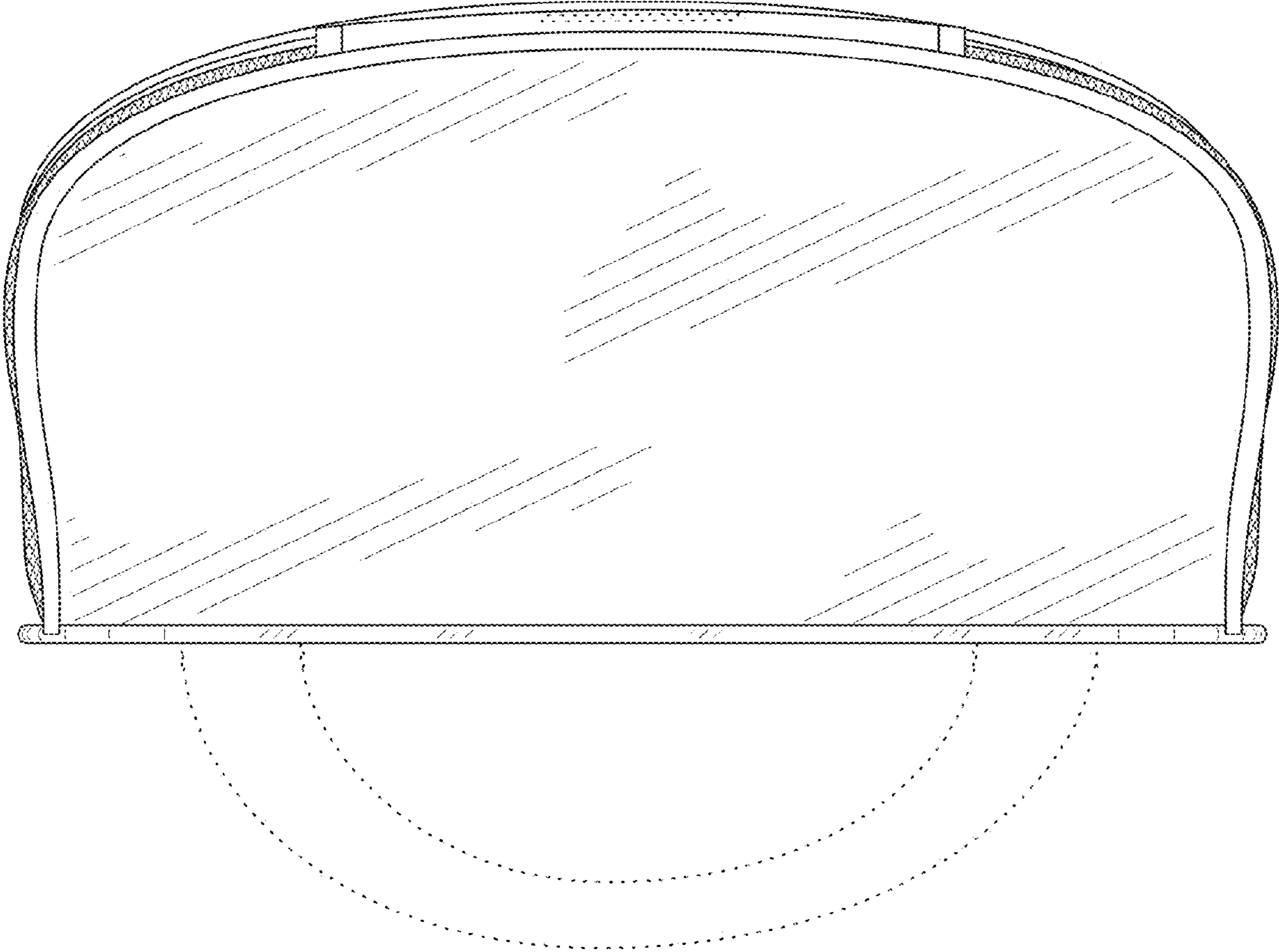


FIG. 7