



US00D877043S

(12) **United States Design Patent**  
**MacNeil et al.**

(10) **Patent No.:** **US D877,043 S**  
(45) **Date of Patent:** **\*\* Mar. 3, 2020**

- (54) **VEHICLE CUP HOLDER CELL PHONE MOUNT**
- (71) Applicant: **MacNeil IP LLC**, Bolingbrook, IL (US)
- (72) Inventors: **David F. MacNeil**, Fort Lauderdale, FL (US); **David S. Iverson**, Oak Brook, IL (US)
- (73) Assignee: **MACNEIL IP LLC**, Bolingbrook, IL (US)
- (\*\*) Term: **15 Years**
- (21) Appl. No.: **29/707,213**
- (22) Filed: **Sep. 26, 2019**  
**Related U.S. Application Data**
- (63) Continuation-in-part of application No. 29/668,090, filed on Oct. 26, 2018.
- (51) **LOC (12) Cl.** ..... **12-16**
- (52) **U.S. Cl.**  
USPC ..... **D12/415**
- (58) **Field of Classification Search**  
USPC ..... D12/415-420, 400, 191, 195, 106, 345, D12/96, 99, 223, 114; D14/253, 251, D14/252, 447, 451, 452, 440, 434, 458, D14/432, 439, 457, 460, 238.1, 140, 142, D14/149, 217, 148, 140.8, 140.11, 209.1, D14/151, 140.9; D13/107, 108; D7/523, D7/529-536, 507-512, 300, 300.1, 591, D7/608, 629, 630, 500-502  
CPC ..... B60R 7/06; B60R 11/02; B60R 2011/005; B60R 2011/0012; B60R 2011/0008; B60R 11/0241; B60R 11/0258; B60R 11/0252; B60R 2011/0294; A61L 9/12; A61L 9/04; F16M 11/00; F16M 11/04; F16M 11/041; F16M 11/02; F16M 11/06; H04M 1/02; A47F 7/022; B62J 11/00  
See application file for complete search history.

D309,307	S	*	7/1990	Sigurdson	.....	381/86
D402,666	S	*	12/1998	Golder	.....	D14/253
D407,408	S	*	3/1999	Hoff	.....	D14/253
6,062,518	A	*	5/2000	Etue	.....	B60R 11/0241 224/542
6,246,766	B1	*	6/2001	Walsh	.....	B60R 11/0241 379/426
D451,504	S	*	12/2001	Edwards	.....	D14/253
D452,236	S	*	12/2001	Kohli	.....	D14/243
D475,044	S	*	5/2003	Kohli	.....	D14/243
7,099,467	B1	*	8/2006	Rohrbach	.....	G09B 15/00 379/441
7,140,586	B2	*	11/2006	Seil	.....	B60R 11/00 248/311.2
D558,769	S	*	1/2008	Krieger	.....	D13/108
D625,715	S	*	10/2010	Adams, II	.....	D14/253
D654,119	S	*	2/2012	Lin	.....	D14/434
D655,282	S	*	3/2012	Richter	.....	D14/253
D705,211	S	*	5/2014	Huang	.....	D14/253
D709,066	S	*	7/2014	Byun	.....	D14/253
D718,298	S	*	11/2014	Aspinall	.....	D14/253
9,079,545	B2	*	7/2015	Dugan	.....	B60R 11/02
D771,614	S	*	11/2016	Chang	.....	D14/253
D777,720	S	*	1/2017	Russell	.....	D14/253
D799,469	S	*	10/2017	Esses	.....	D14/253
D807,701	S	*	1/2018	Bo	.....	D7/507
D817,317	S	*	5/2018	Lee	.....	D14/253
9,987,993	B2	*	6/2018	Thorimbert	.....	B60R 7/14
D823,062	S	*	7/2018	Goodwin	.....	D7/511
D832,248	S	*	10/2018	Sukphist	.....	D14/253
D833,369	S	*	11/2018	Lan	.....	D12/415
D835,113	S	*	12/2018	Kim	.....	D14/447
D848,412	S	*	5/2019	Greve	.....	D14/253
D848,443	S	*	5/2019	Yao	.....	D14/447
D859,395	S	*	9/2019	Yao	.....	D14/253
2014/0176062	A1	*	6/2014	Jung	.....	B60R 11/02 320/108

**FOREIGN PATENT DOCUMENTS**

CN 106427807 \* 2/2017 ..... B60R 11/02

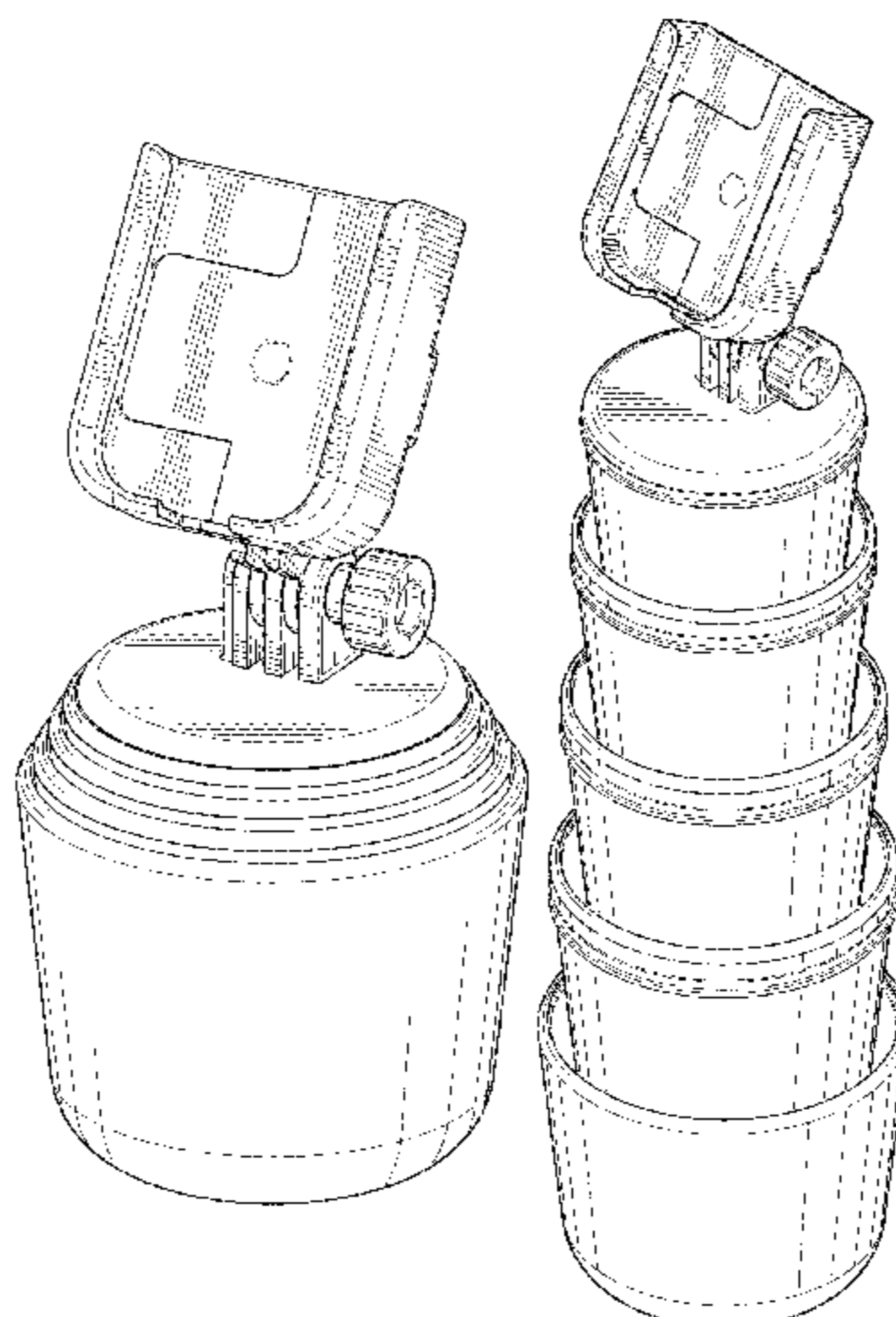
**OTHER PUBLICATIONS**

Macally Cell Phone Cup Holder for Car Mount, Amazon.com, Date First Available: Jun. 29, 2017, [online], [site visited Oct. 24, 2019]. <URL: <https://www.amazon.com/Macally-Samsung-Motorola-Smartphones-MCUP/dp/B002JTWRN8>> (Year: 2017).\*  
Cellet PH600 Car Cup Holder Mount, Amazon.com, [online], [site visited Oct. 24, 2019]. <URL: [https://www.amazon.com/dp/B006BIQBMQ/ref=psdc\\_2230642011\\_t4\\_B002JTWRN8](https://www.amazon.com/dp/B006BIQBMQ/ref=psdc_2230642011_t4_B002JTWRN8)> (Year: 2019).\*

(56) **References Cited**

**U.S. PATENT DOCUMENTS**

D247,548 S \* 3/1978 Crary ..... D7/540  
D289,898 S \* 5/1987 Miller ..... 379/454





10 Cup Holder Phone Mount Reviews for 2019, HotRate.com, by Joey Randall, Last Updated Jan. 25, 2019, [online], [site visited Oct. 24, 2019]. <URL: <https://www.hotrate.com/electronics/cup-holder-phone-mount/>> (Year: 2019).\*

amazon.com, website, image of Belkin Car Cup Holder for Smartphones, downloaded on Jan. 17, 2019.

amazon.com, website, image of Custom Accessories 23384 Heavy Cup Mount Magnetic Phone Holder, downloaded on Jan. 17, 2019.

amazon.com, website, image of Macally Adjustable Automobile Cup Holder Phone Mount, downloaded on Jan. 17, 2019.

amazon.com, website, image of Mediabridge Smartphone Cradle w/Extended Cup Holder Mount, downloaded on Jan. 17, 2019.

amazon.com, website, image of NNDA CO Universal Adjustable Gooseneck Cup Holder Cradle Car Mount for Phone, downloaded on Jan. 17, 2019.

amazon.com, website, image of Sunjoyco Car Cup Holder Mount for Phone Tablet, 2-in-1 Car Cradles Adjustable Gooseneck Holder, downloaded on Jan. 17, 2019.

amazon.com, website, image of Tackform Solutions Car Phone Holder Magnetic Mount, downloaded on Jan. 17, 2019.

amazon.com, website, image of TNP Cup Holder Phone Mount, Universal Car Cup Smartphone Cradle Clamp w/ Flexible Neck, downloaded on Jan. 17, 2019.

amazon.com, website, image of USA Gear Cup Holder Suction Mount Surface Adapter, downloaded on Jan. 17, 2019.

crutchfield.com, website, image of Bracketron BT 16572 PhabGrip cup holder mount, downloaded on Jan. 17, 2019.

HDAccessory.com, website, image of Universal Smartphone Cup Holder Mount, downloaded on Jan. 17, 2019.

stacksocial.com, website, image of U-Grip Cup Holder Car Mount for Phones and Tablets, downloaded on Jan. 17, 2019.

walmart.com, website, image of Universal Adjustable Gooseneck Cup Holder Cradle Car Mount for Cell Phone, downloaded on Jan. 17, 2019.

rakuten.com, website, image of Smartphone 8" Long Car Cup Holder, IKross Phone Mount, downloaded on Jan. 17, 2019.

\* cited by examiner

*Primary Examiner* — T Chase Nelson

*Assistant Examiner* — Jonathan J. Han

(74) *Attorney, Agent, or Firm* — Perkins IP Law Group LLC; Jefferson Perkins

## (57) CLAIM

We claim the ornamental design for a vehicle cup holder cell phone mount, as shown and described.

## DESCRIPTION

FIG. 1 is a top front perspective view of a first configuration of our design in which two of four shells of our design have been assembled to a base of our design, a cell phone and power cord being shown in dotted line as environmental structure;

FIG. 2 is front top perspective view of a second configuration of our design, in which jaws of a cell phone mounting bracket of our design are in a fully closed position, and in which no shells of our design have been assembled to the base;

FIG. 3 is a front view of our design as configured in FIG. 2;

FIG. 4 is a right side view of our design as configured in FIG. 2;

FIG. 5 is a left side view of our design as configured in FIG. 2;

FIG. 6 is a rear view of our design as configured in FIG. 2; FIG. 7 is a top view of our design as configured in FIG. 2; FIG. 8 is a bottom view of our design as configured in FIG. 2;

FIG. 9 is a front view of a third configuration of our design, in which no shells have been assembled to the base, and in which the jaws of the mounting bracket are in a fully open position;

FIG. 10 is a top front perspective view of a fourth configuration of our design, in which first, second, third and fourth shells have been assembled to the base and in which the jaws of the mounting bracket are in a fully closed position;

FIG. 11 is a front view of our design as configured in FIG. 10;

FIG. 12 is a top view of our design as configured in FIG. 10;

FIG. 13 is a bottom view of our design as configured in FIG. 10;

FIG. 14 is a top front exploded perspective view of our design as configured in FIG. 10;

FIG. 15 is a bottom rear exploded perspective view of our design as configured in FIG. 10;

FIG. 16 is a front-to-rear axial sectional view of our design as configured in FIG. 10;

FIG. 17 is a bottom perspective view of a first shell forming a portion of our design;

FIG. 18 is a side view of the first shell;

FIG. 19 is a bottom view of the first shell;

FIG. 20 is a top view of the first shell;

FIG. 21 is a top perspective view of the first shell;

FIG. 22 is a partial sectional detail of the lip region of the first shell taken along 22-22 in FIG. 21;

FIG. 23 is a bottom perspective view of a second shell forming a portion of our design;

FIG. 24 is a side view of the second shell;

FIG. 25 is bottom view of the second shell;

FIG. 26 is a top view of the second shell;

FIG. 27 is a top perspective view of the second shell;

FIG. 28 is a partial sectional detail of the lip region of the second shell taken along 28-28 in FIG. 27;

FIG. 29 is a bottom perspective view of a third shell forming a portion of our design;

FIG. 30 is a side view of the third shell;

FIG. 31 is bottom view of the shell;

FIG. 32 is a top view of the third shell;

FIG. 33 is a top perspective view of the third shell;

FIG. 34 is a partial sectional detail of the lip region of the third shell taken along 34-34 in FIG. 33;

FIG. 35 is a bottom perspective view of a fourth shell forming a portion of our design;

FIG. 36 is a side view of the fourth shell;

FIG. 37 is bottom view of the fourth shell;

FIG. 38 is a top view of the fourth shell;

FIG. 39 is a top perspective view of the fourth shell; and, FIG. 40 is a partial sectional detail of the lip region of the fourth shell taken along 40-40 in FIG. 39.

The dotted lines shown in the drawings illustrate environment and portions of the vehicle cup holder cell phone mount that form no part of the claimed design.

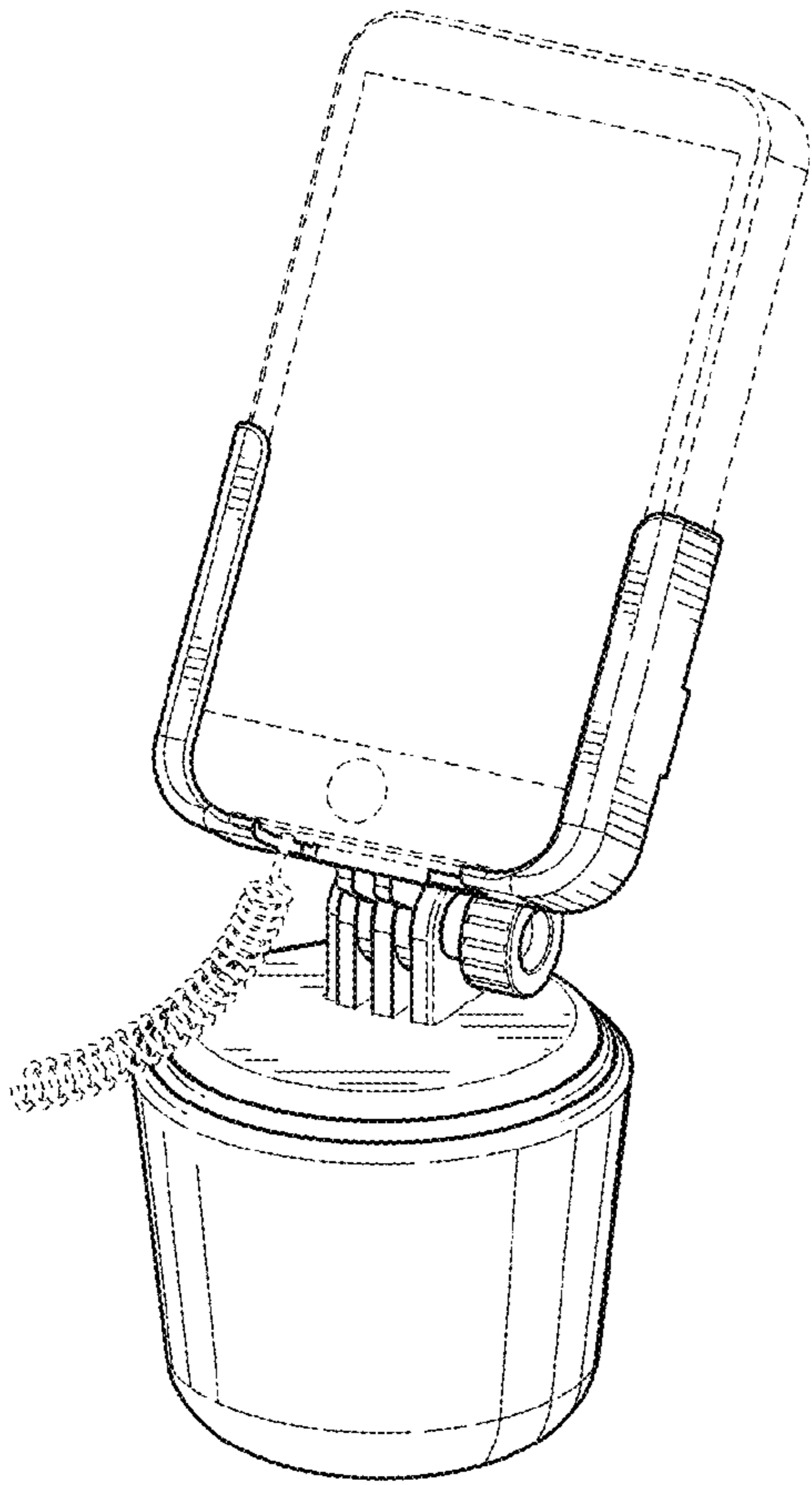


FIG. 1

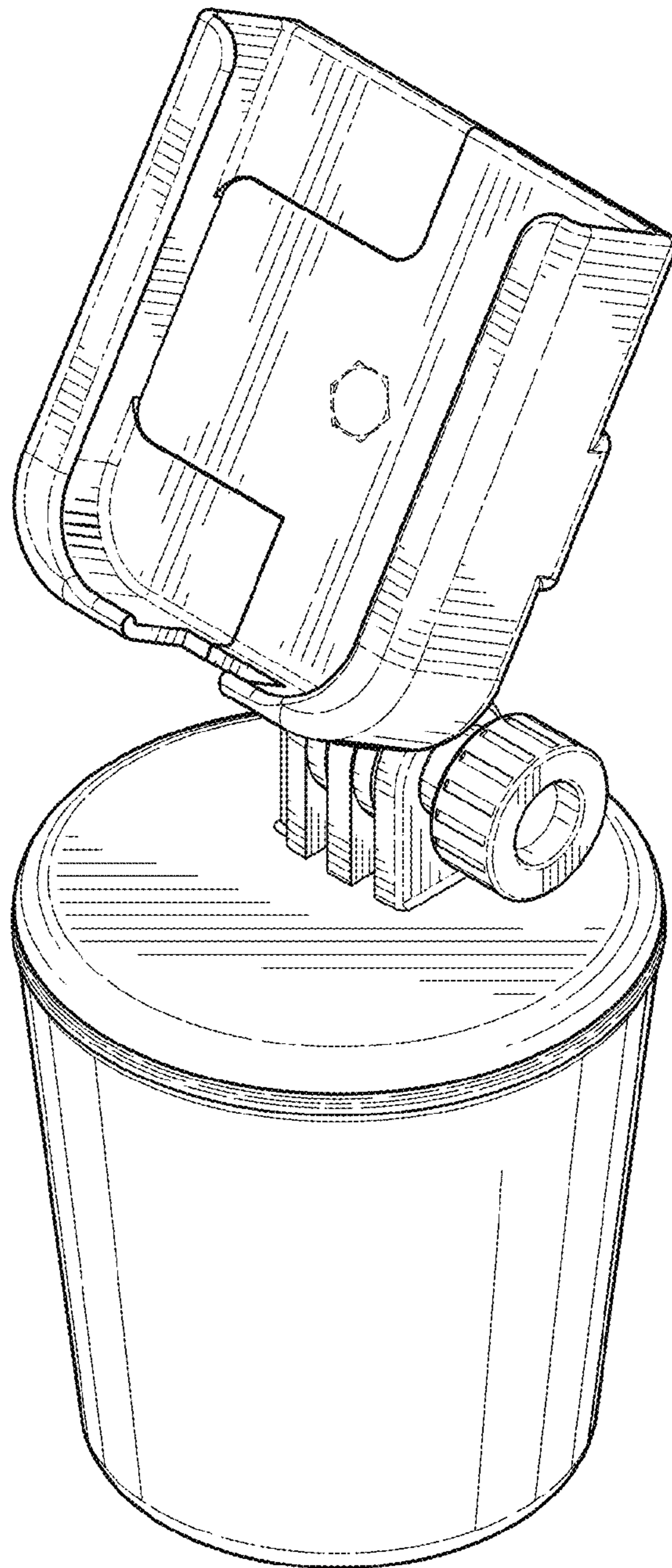


FIG. 2



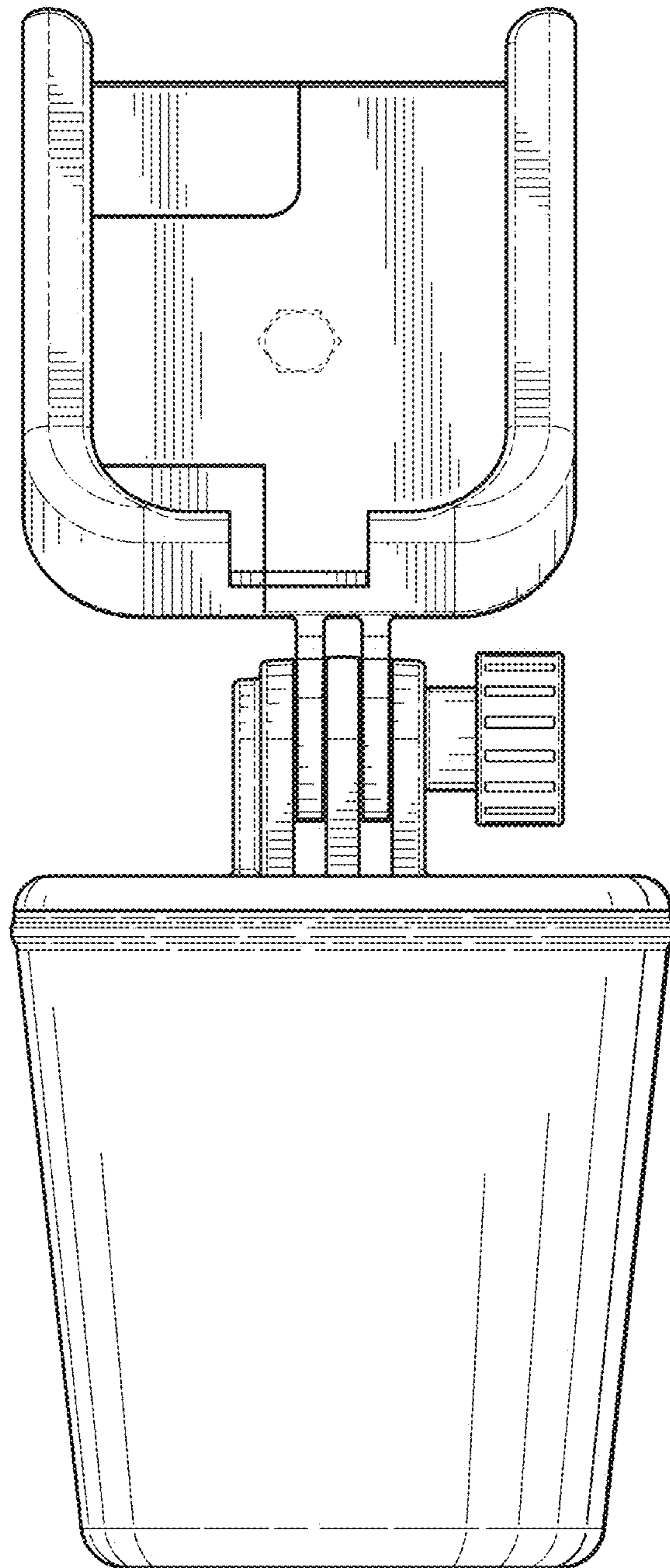


FIG. 3

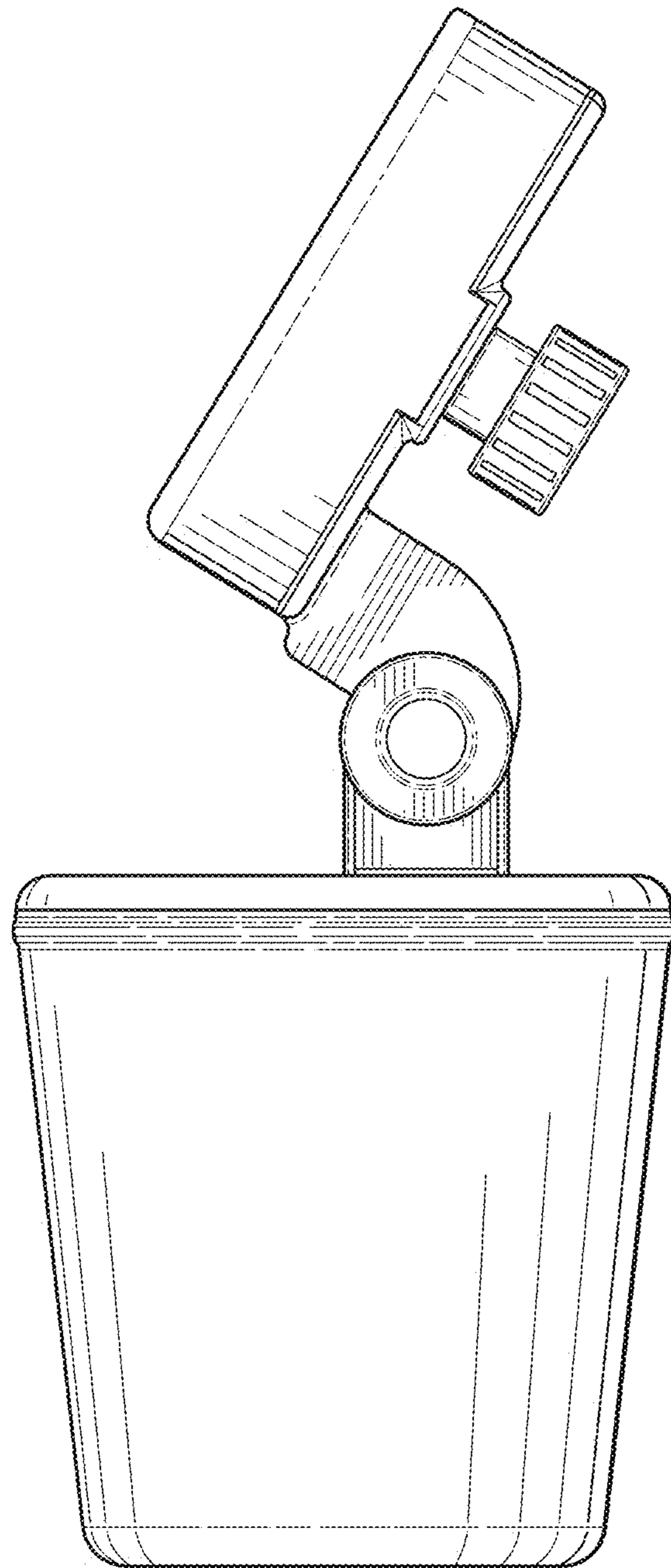
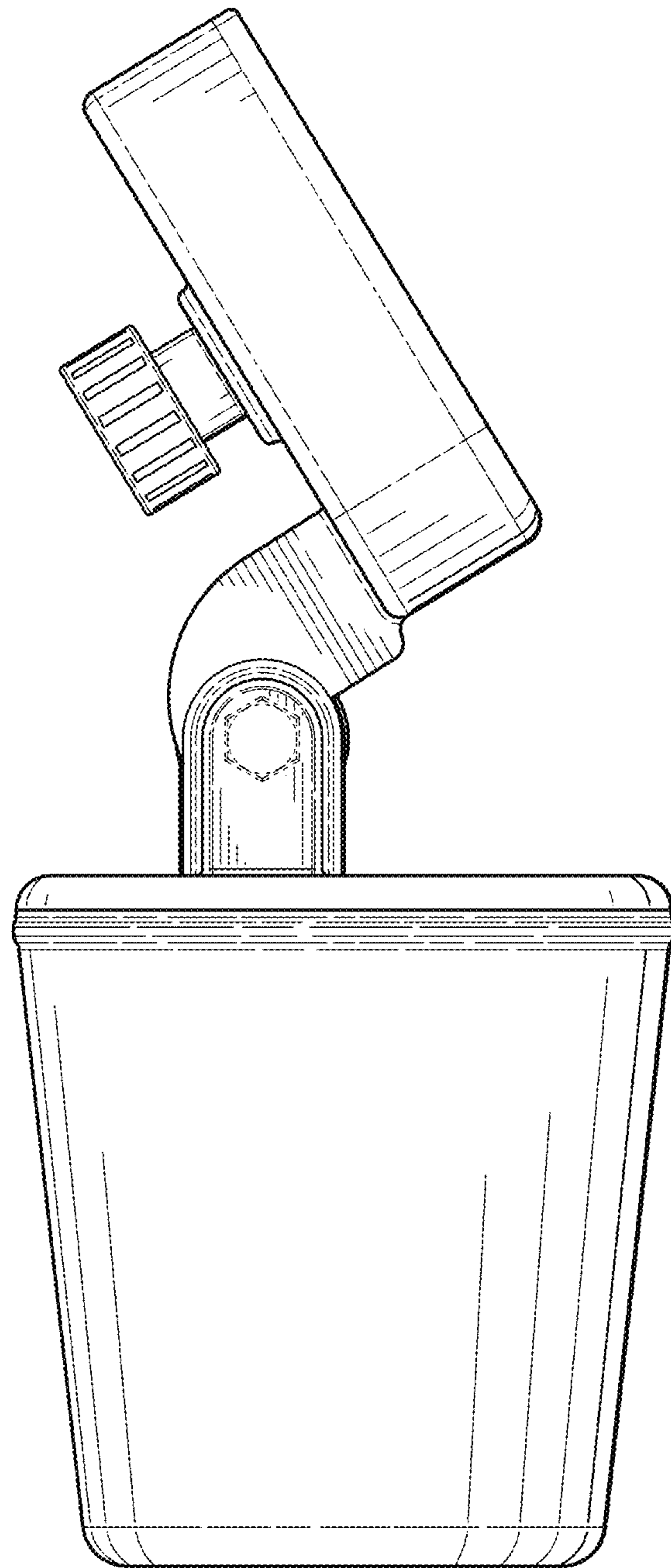


FIG. 4



*FIG. 5*

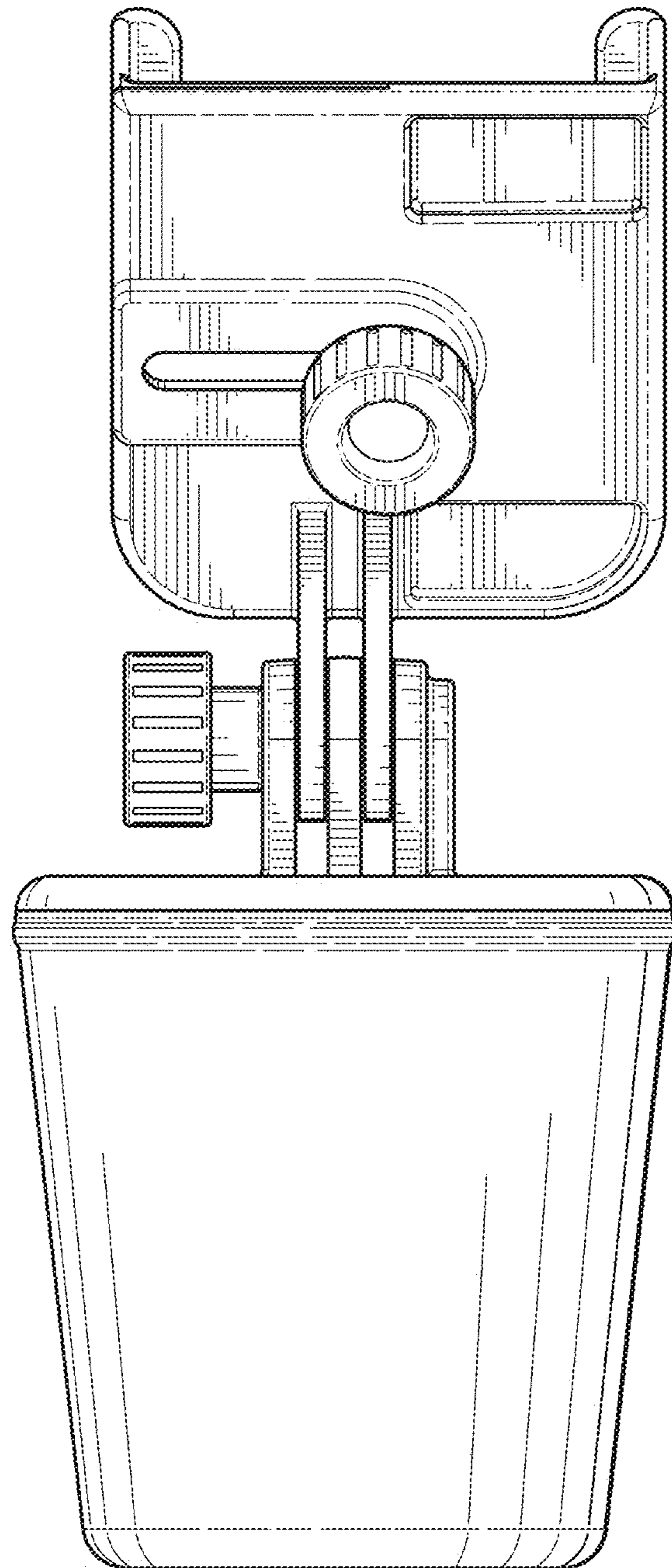


FIG. 6

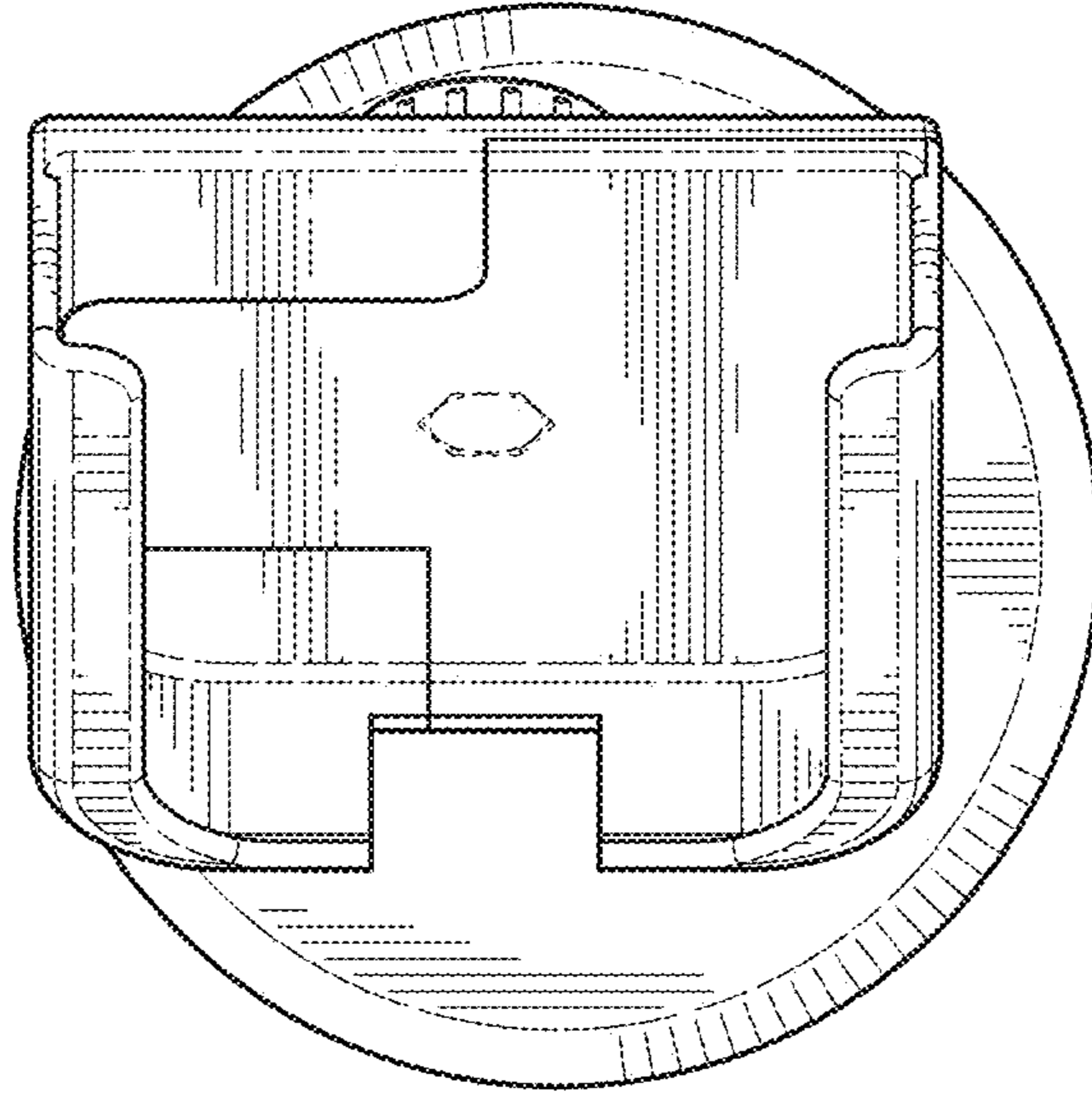


FIG. 7

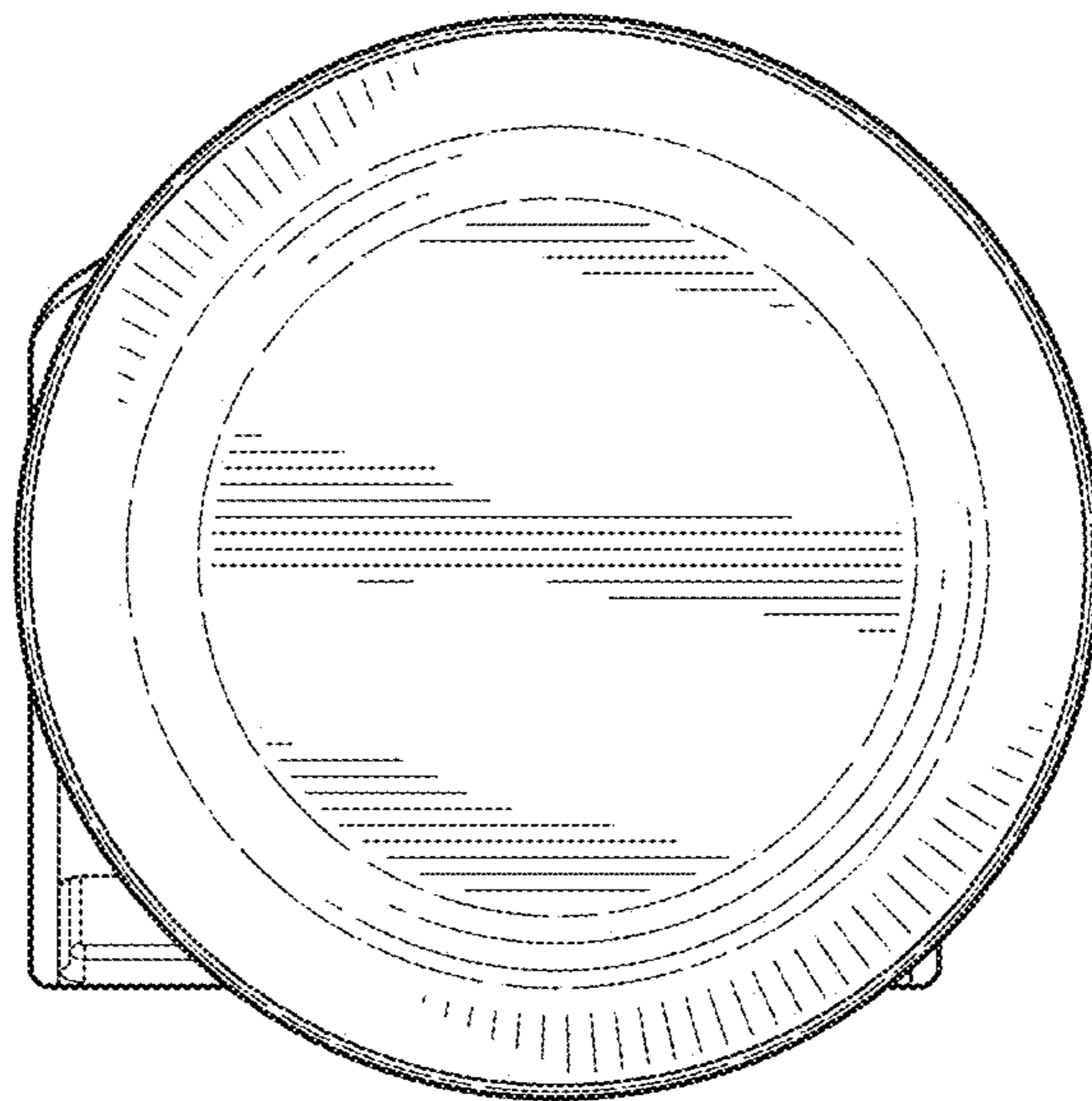


FIG. 8



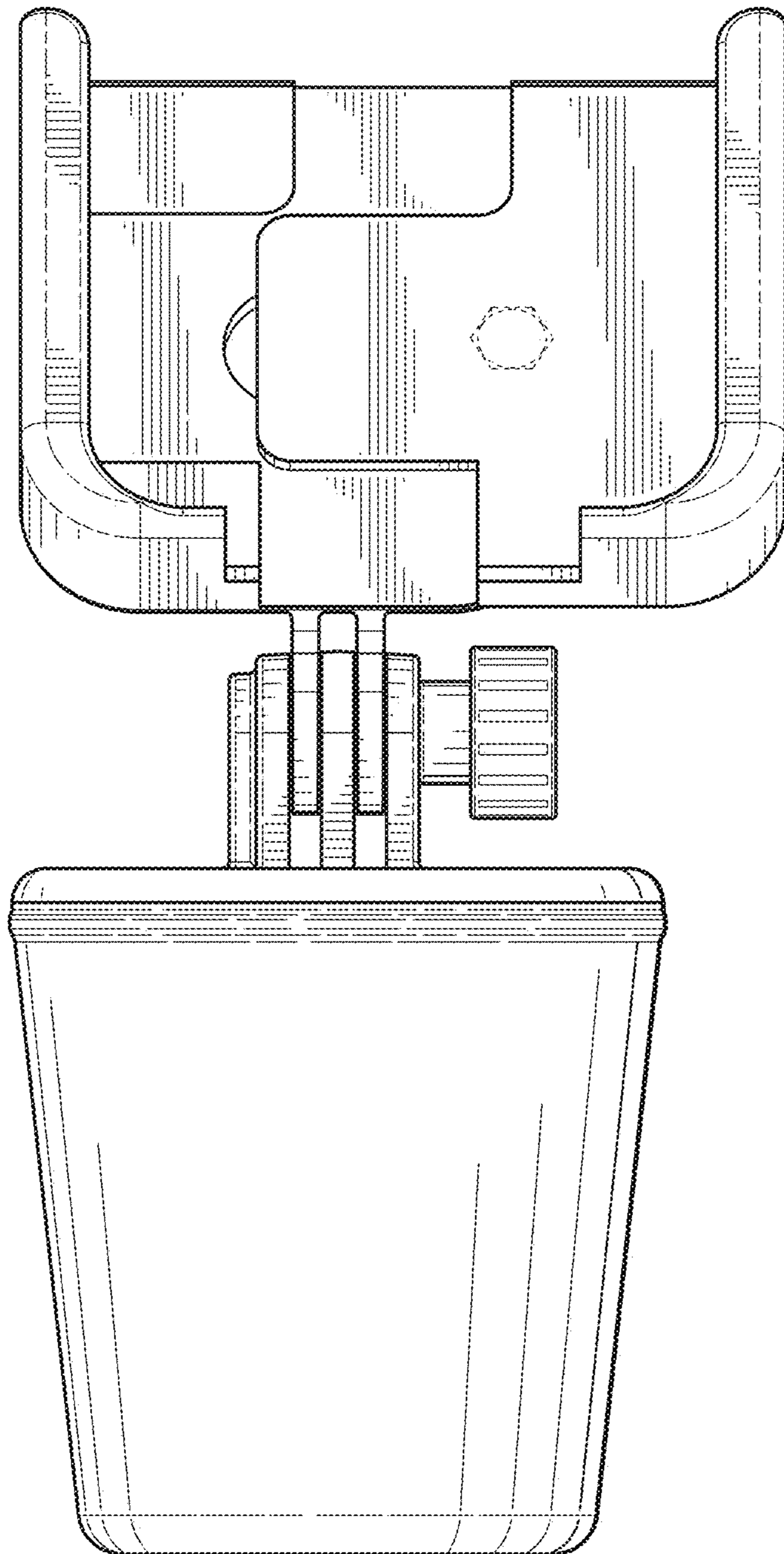


FIG. 9

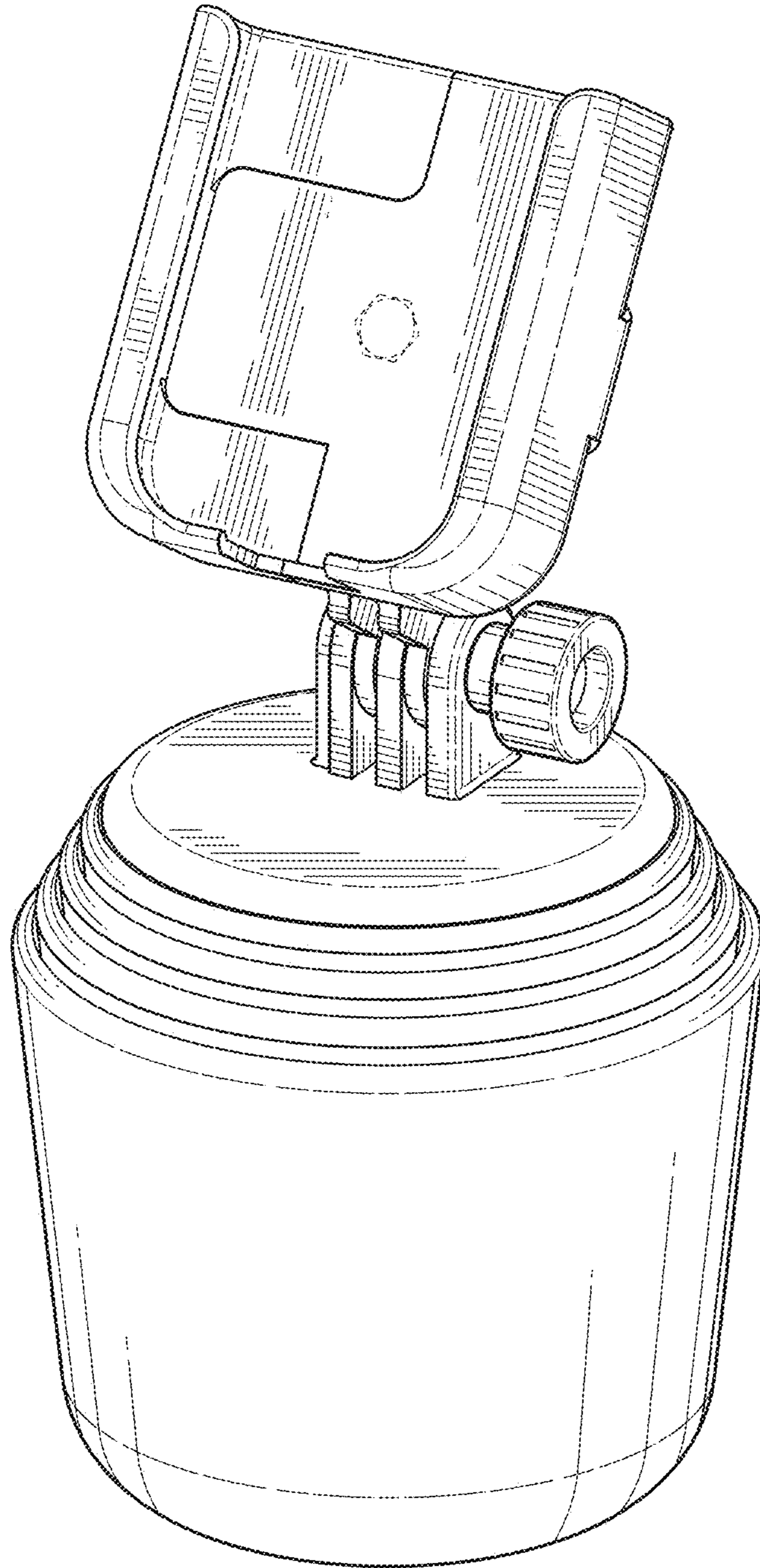


FIG. 10

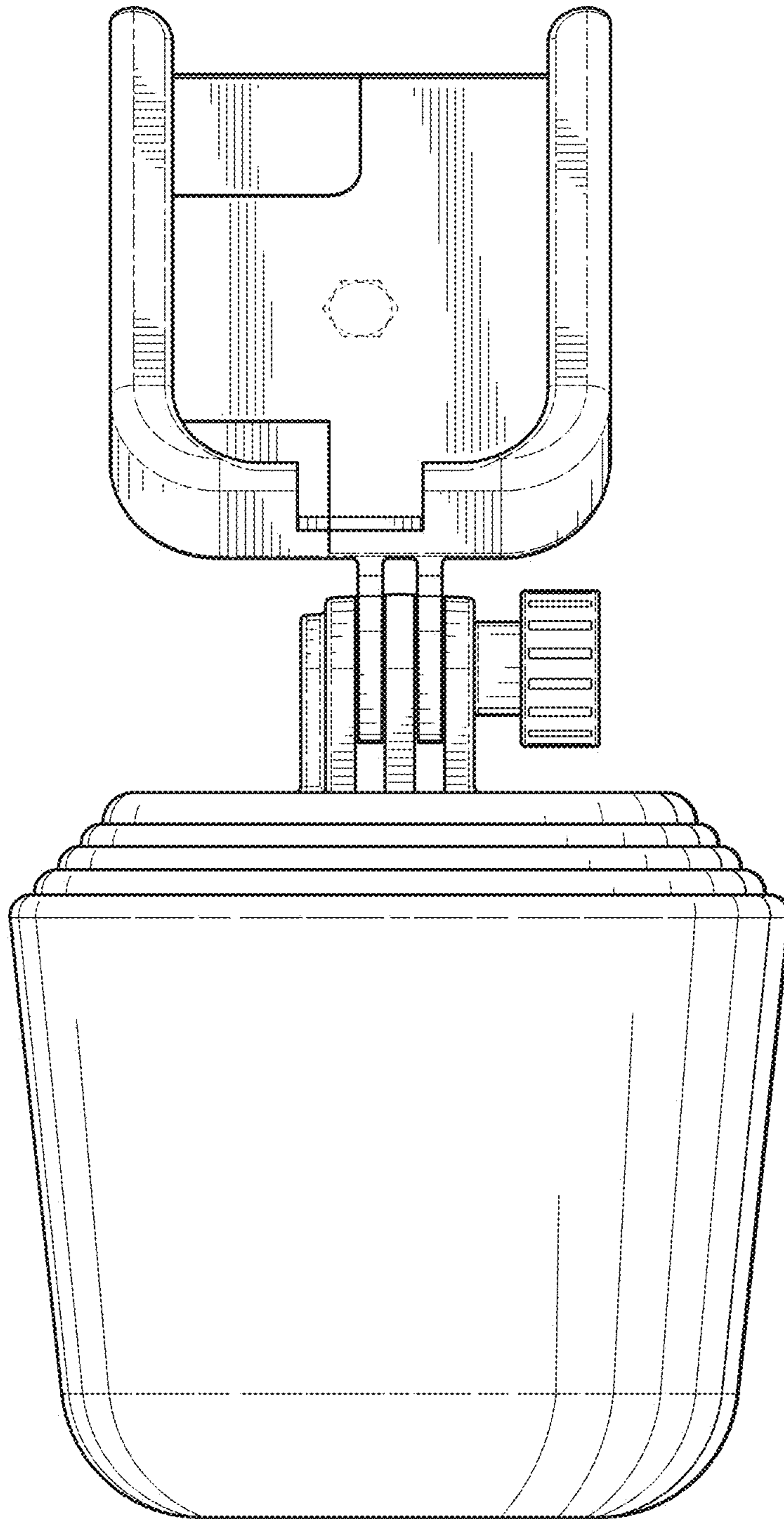
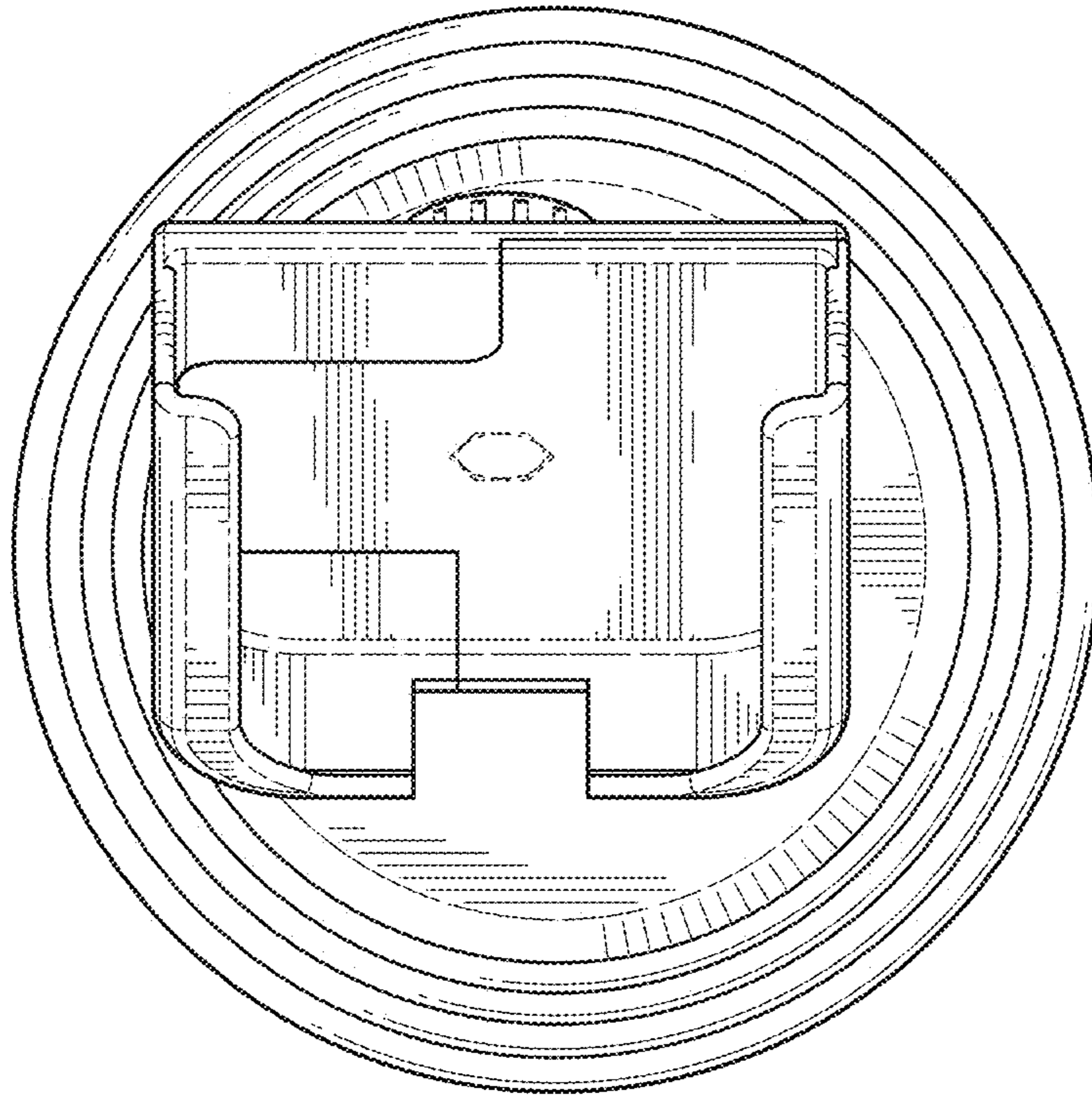
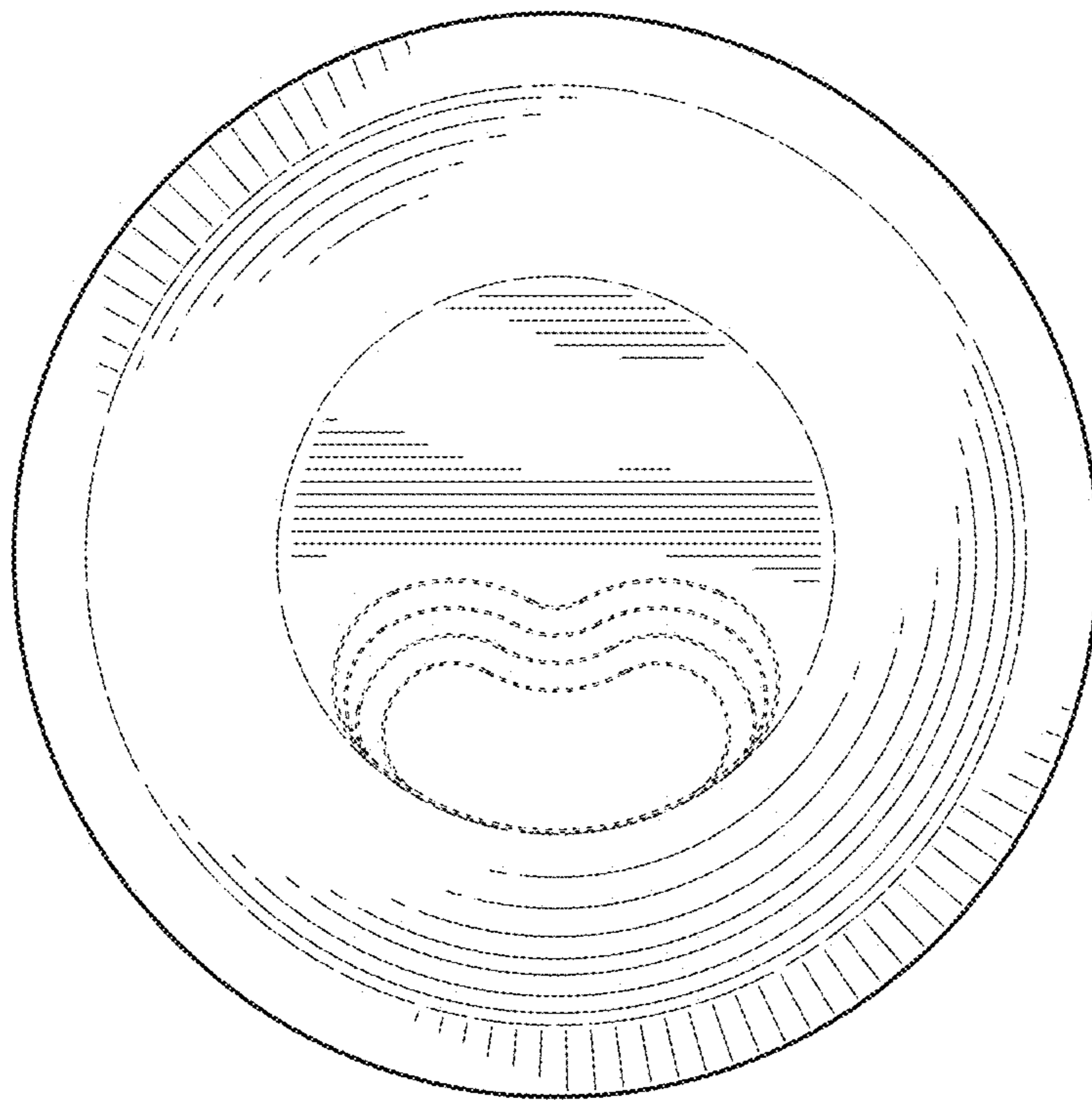


FIG. 11





*FIG. 12*



*FIG. 13*

FIG. 14

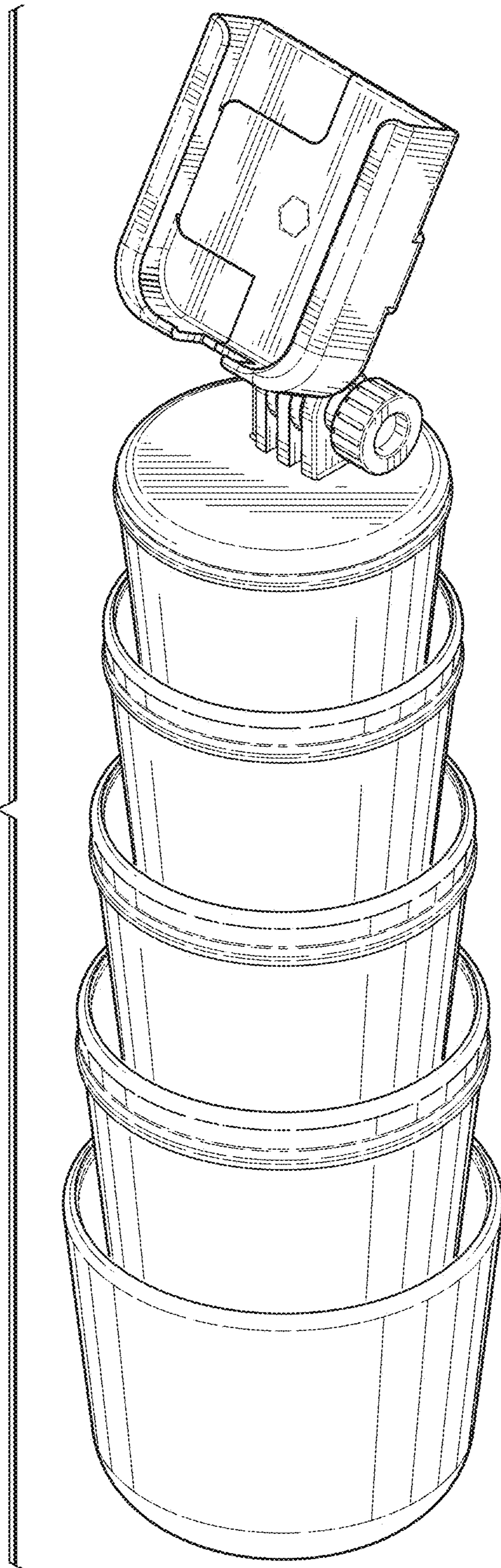


FIG. 15

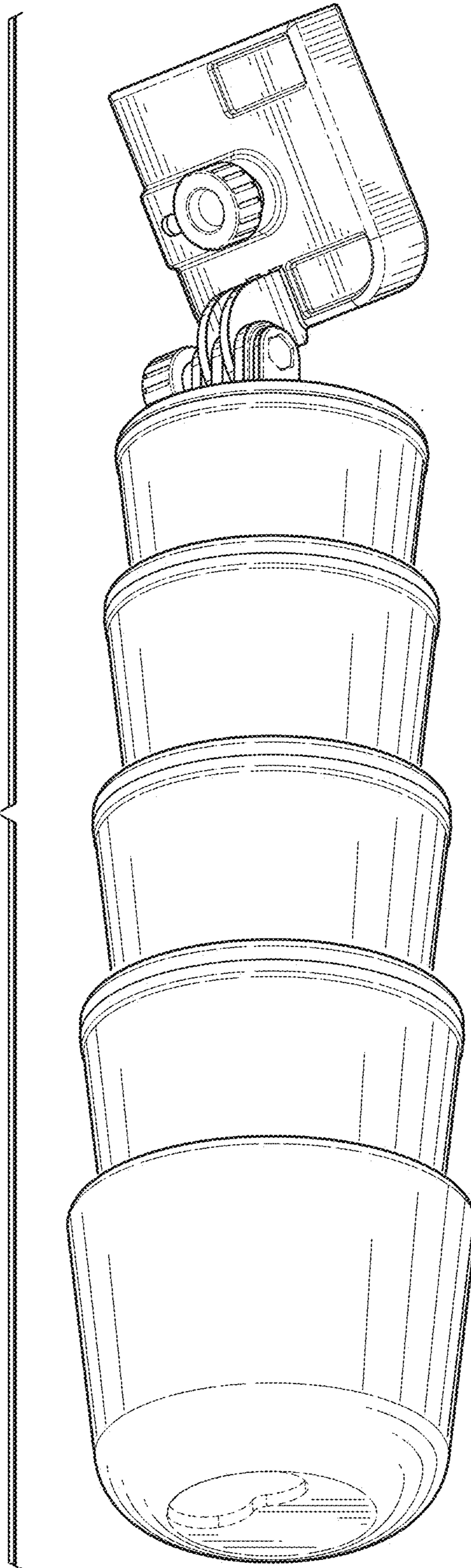
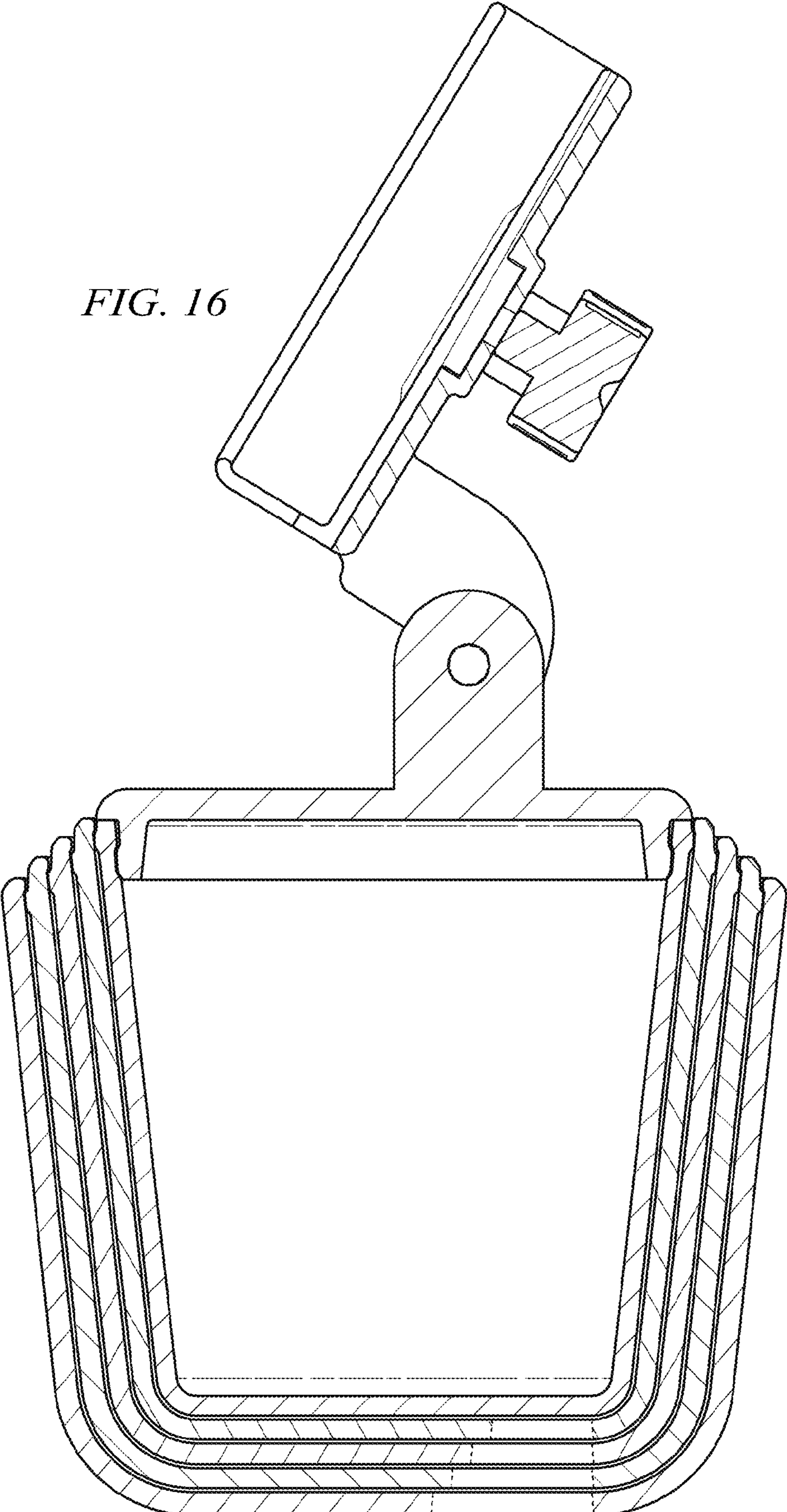
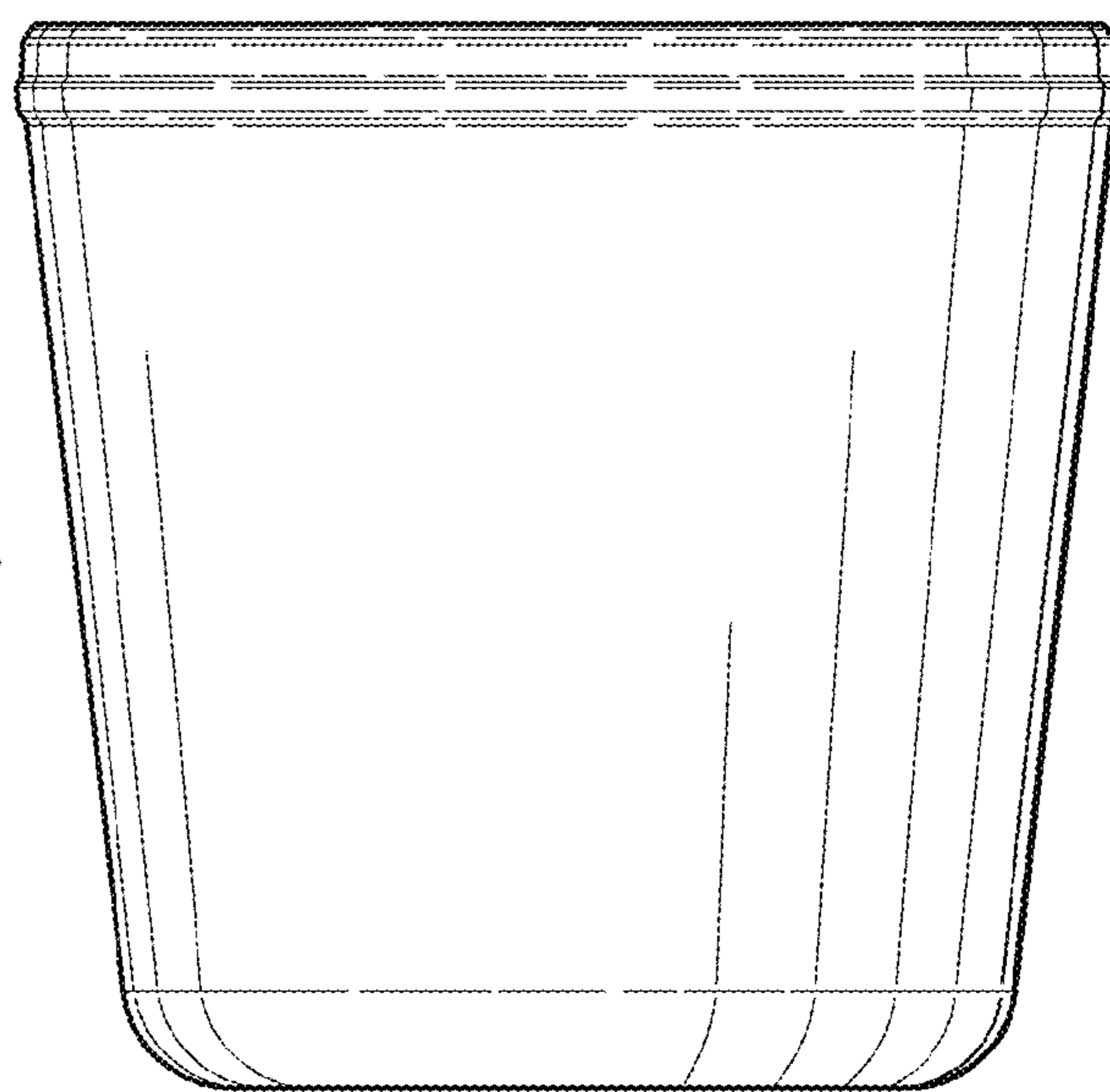


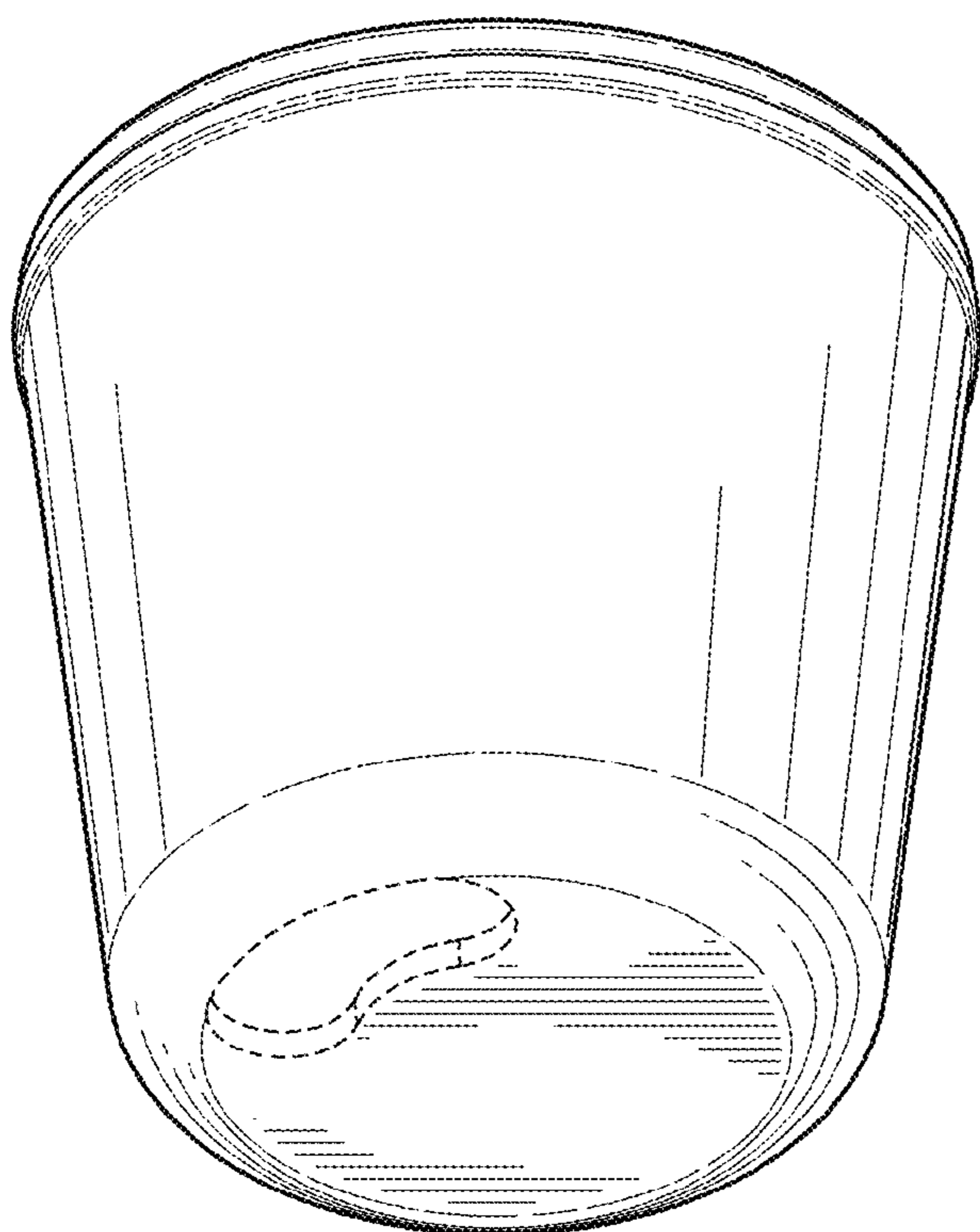


FIG. 16

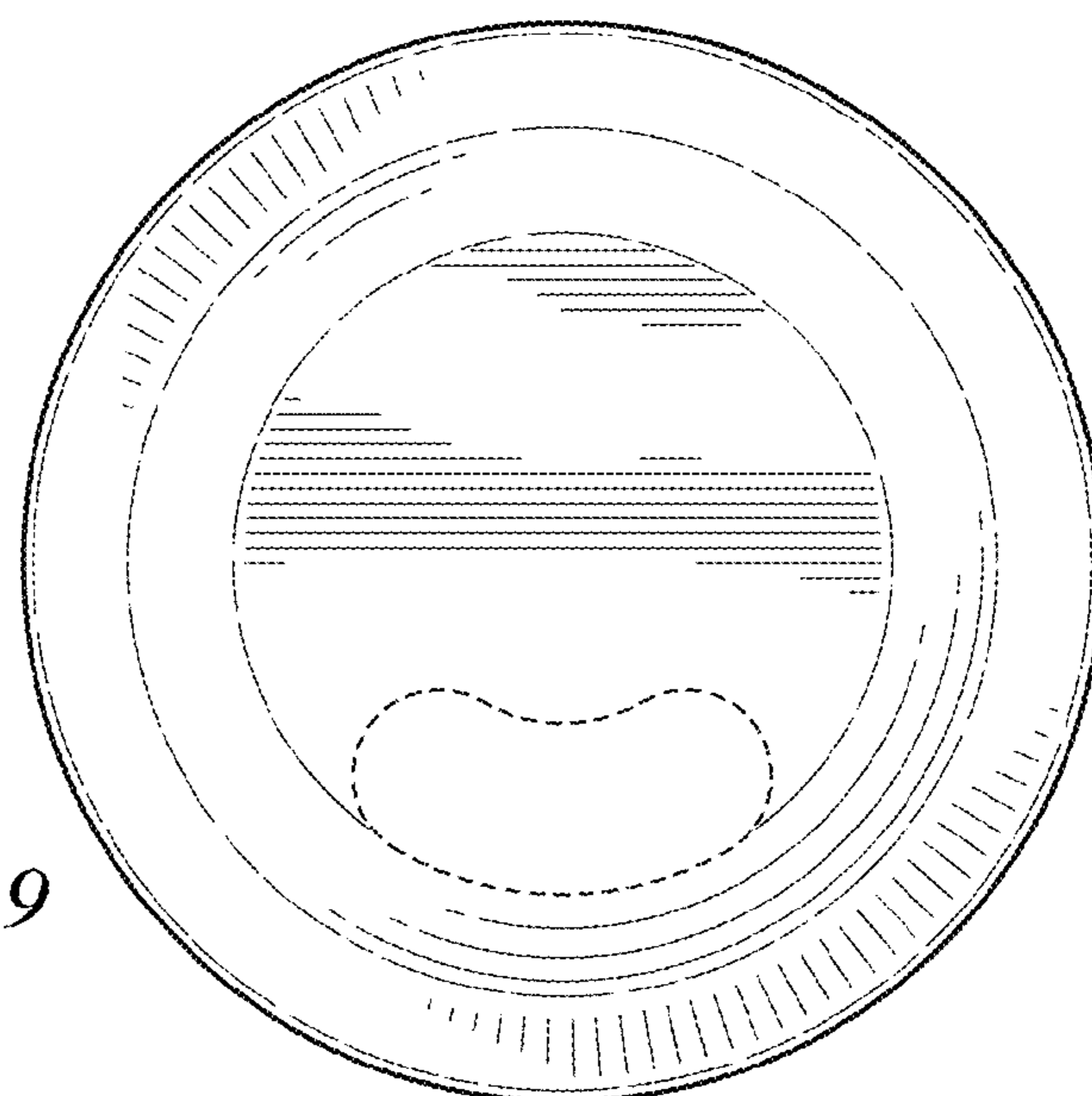




*FIG. 18*



*FIG. 17*



*FIG. 19*

FIG. 20

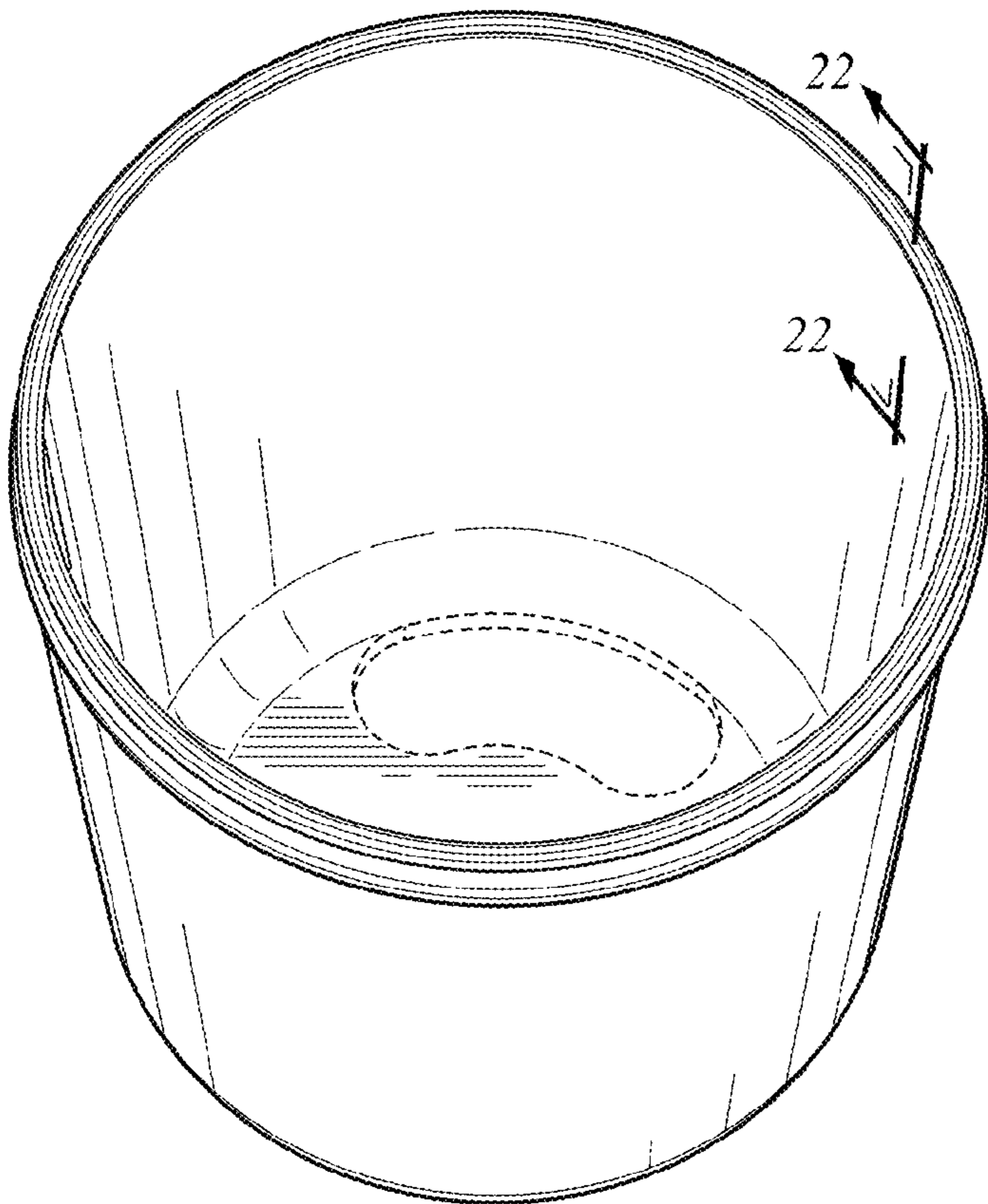
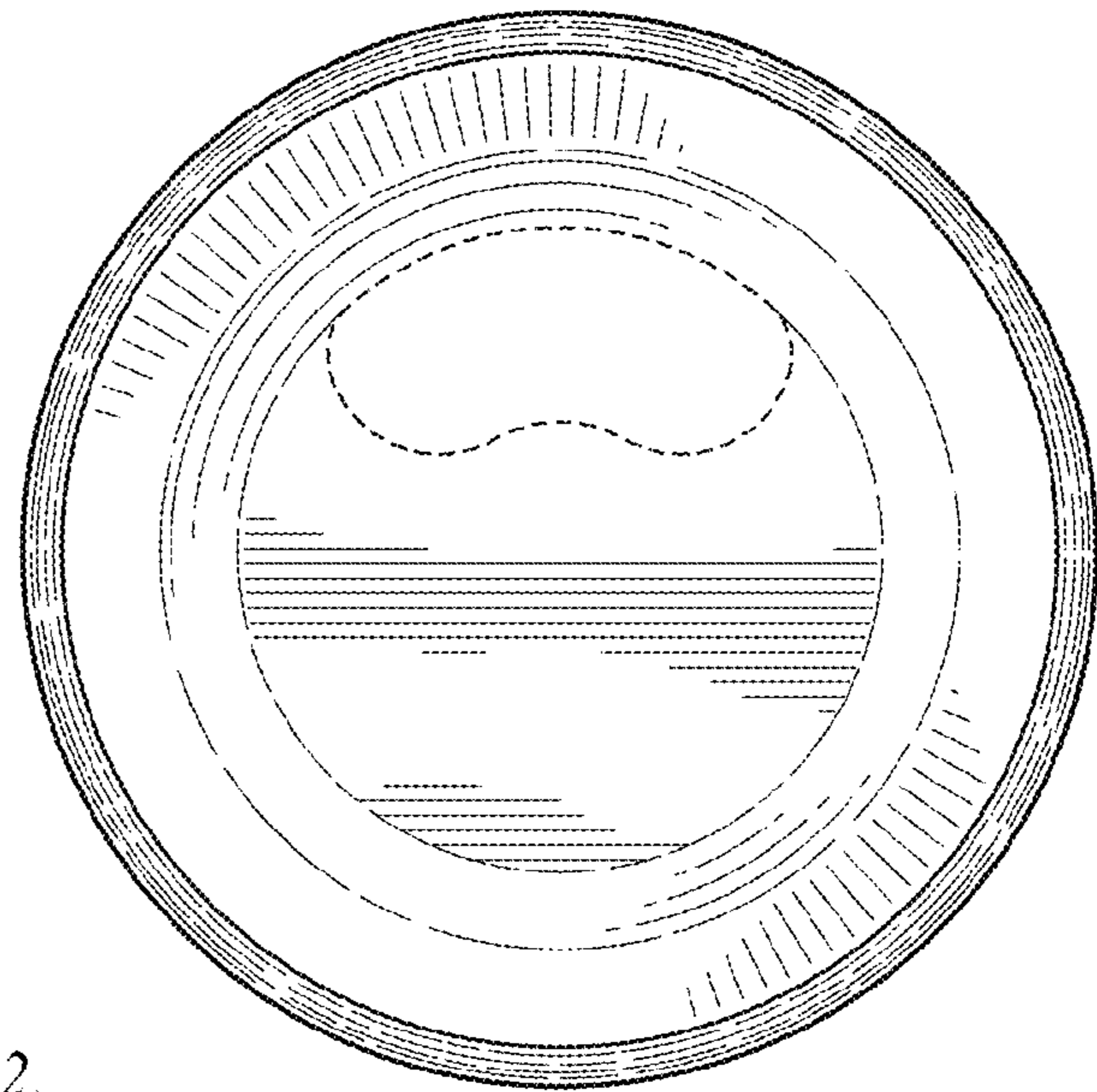
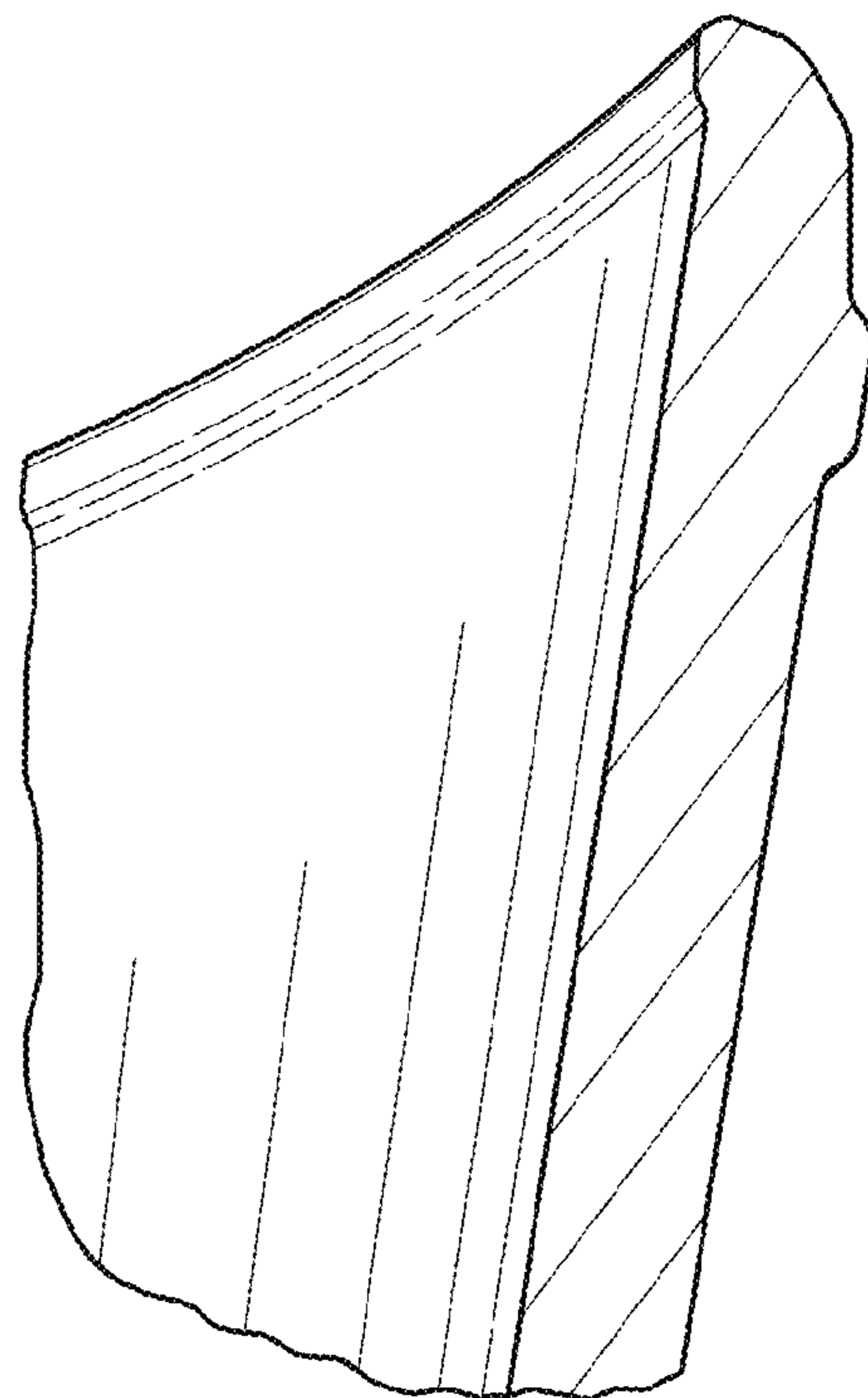
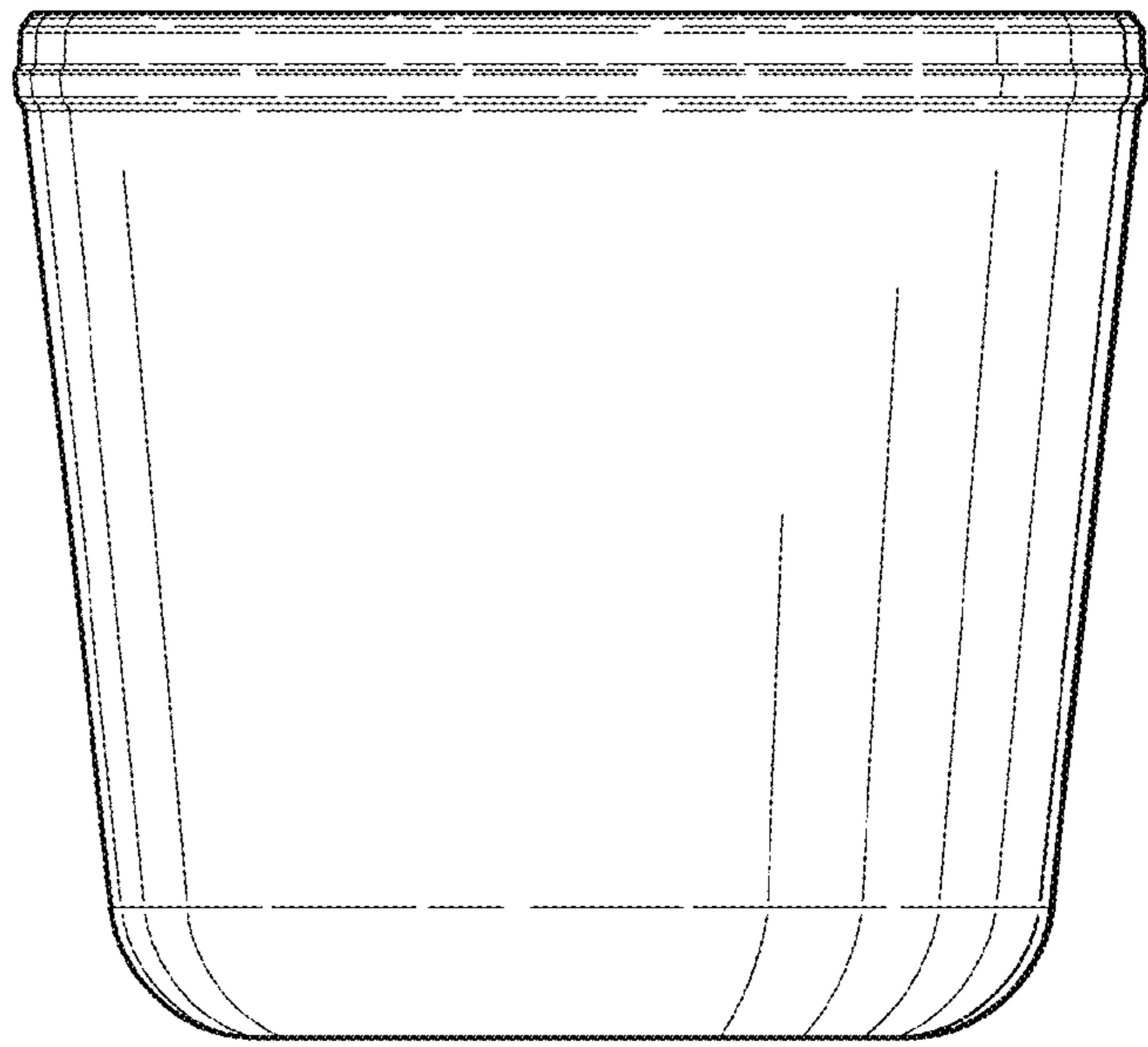


FIG. 21

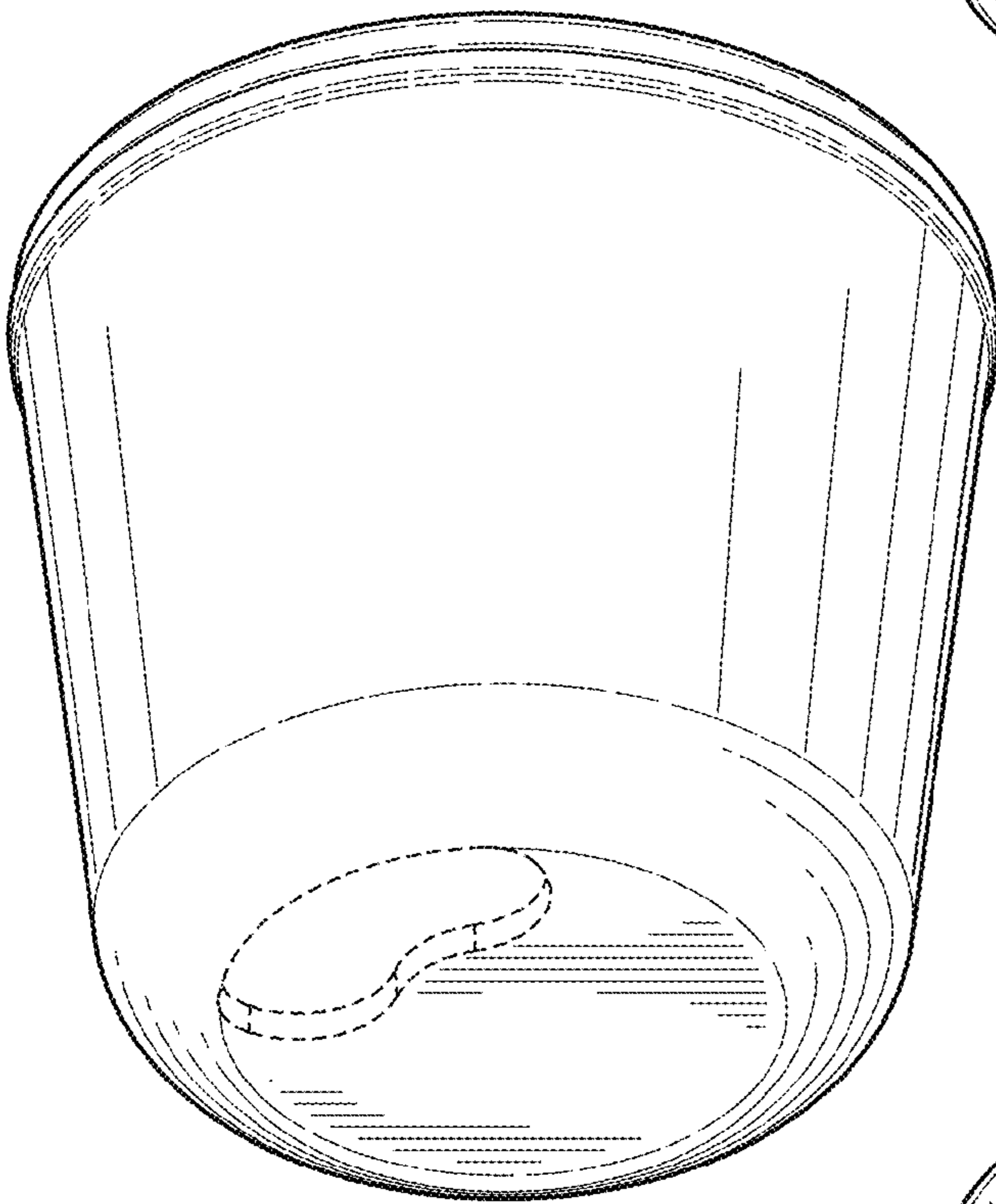
FIG. 22



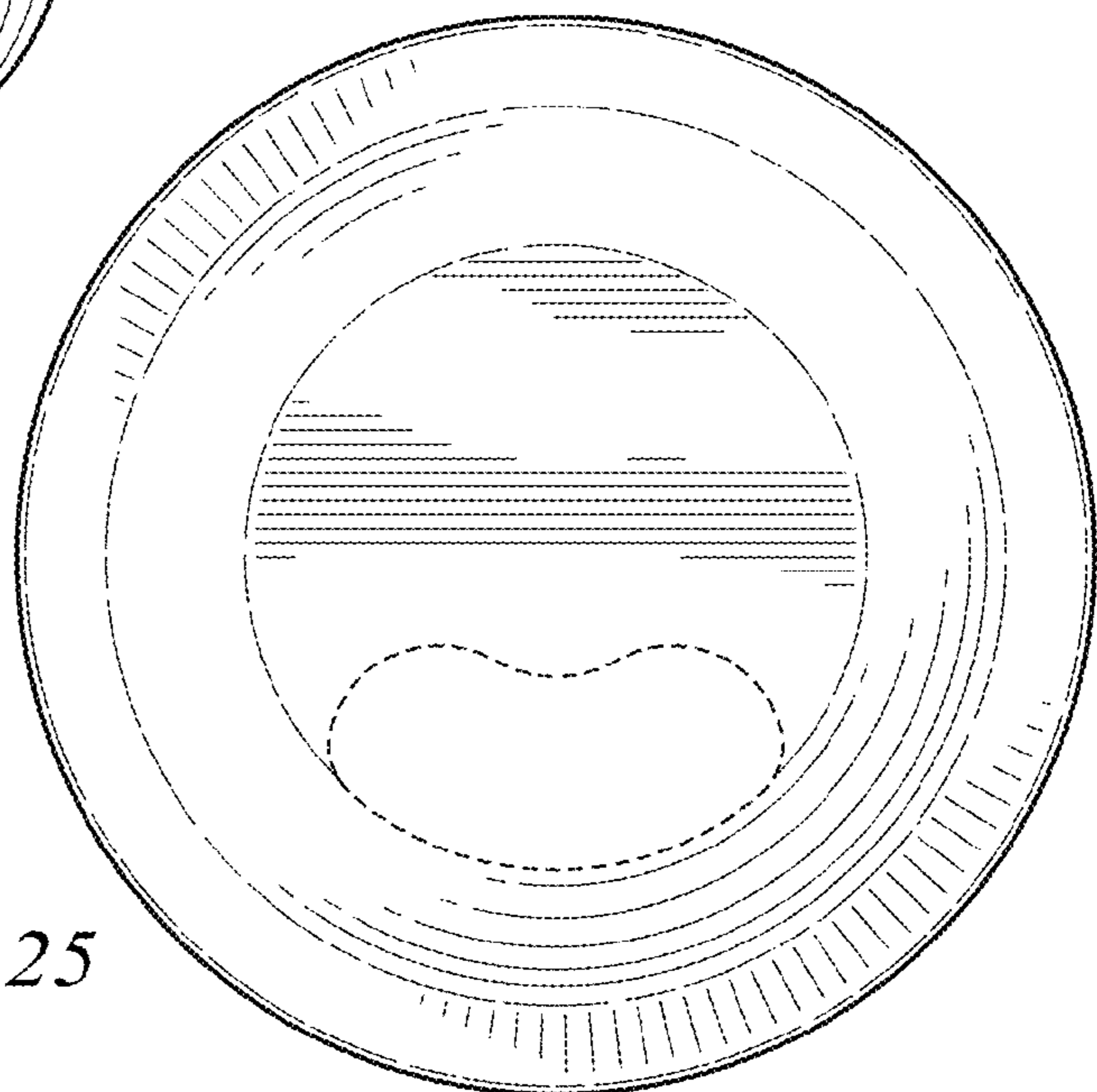




*FIG. 24*



*FIG. 23*



*FIG. 25*

FIG. 26

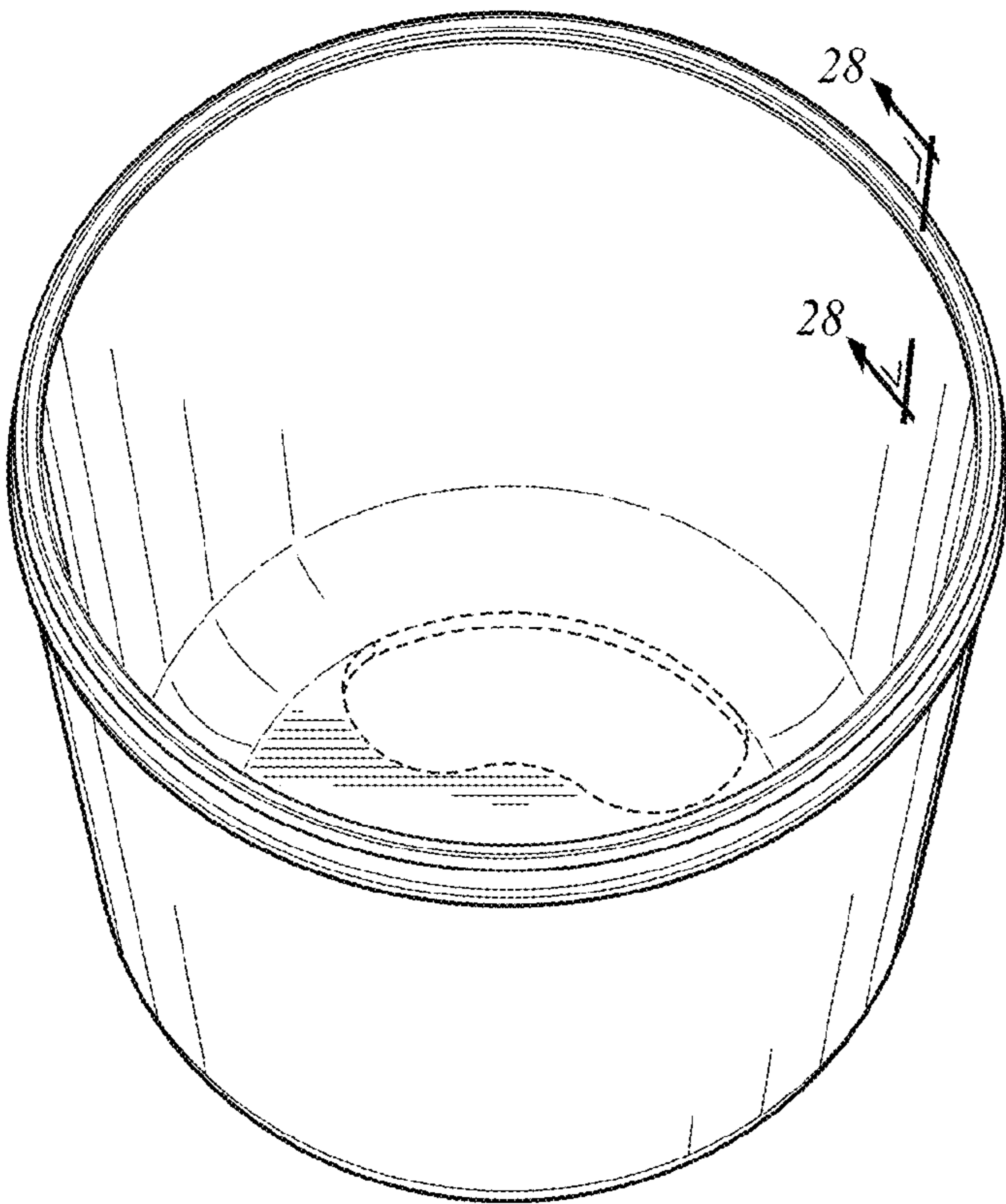
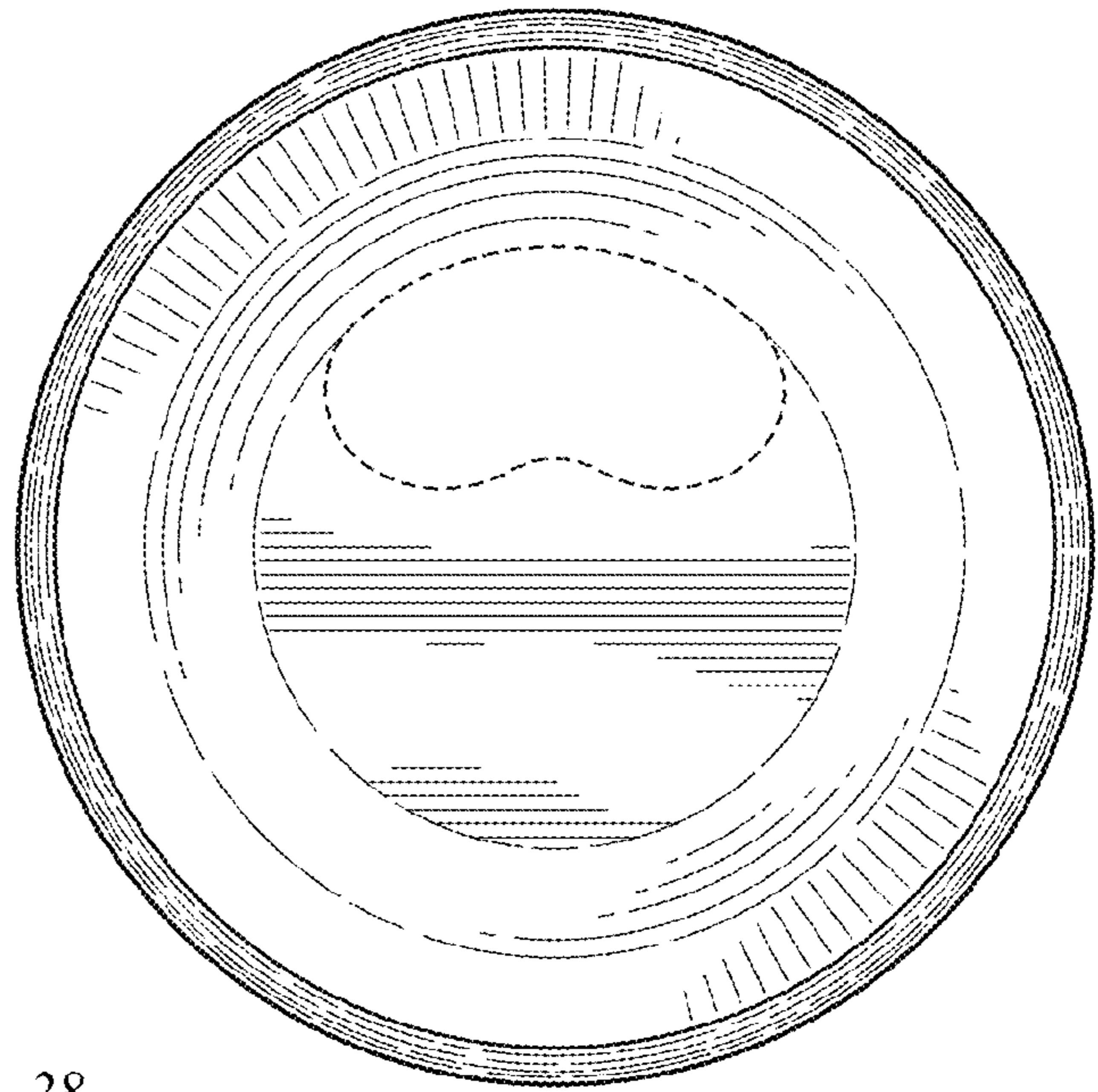
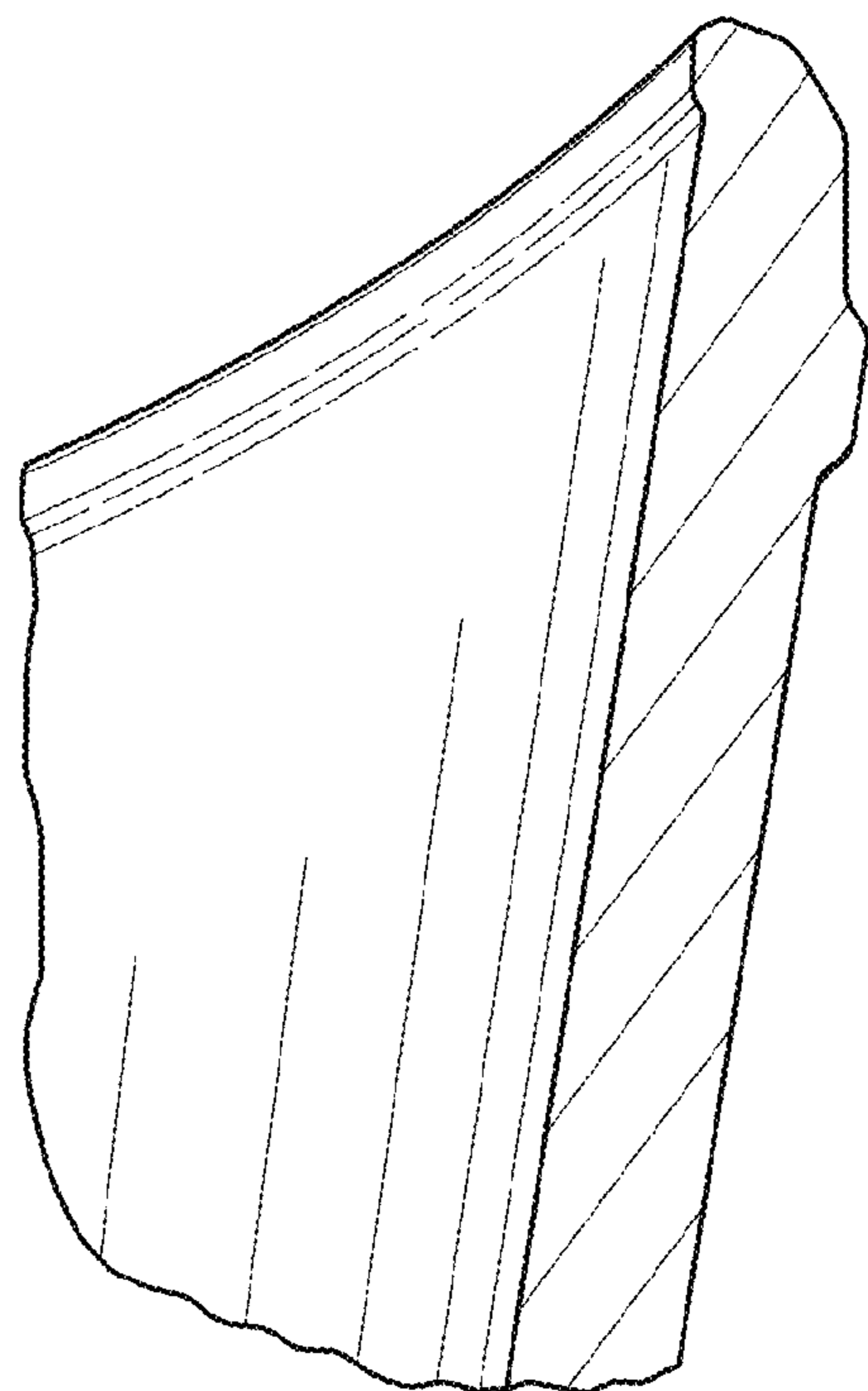
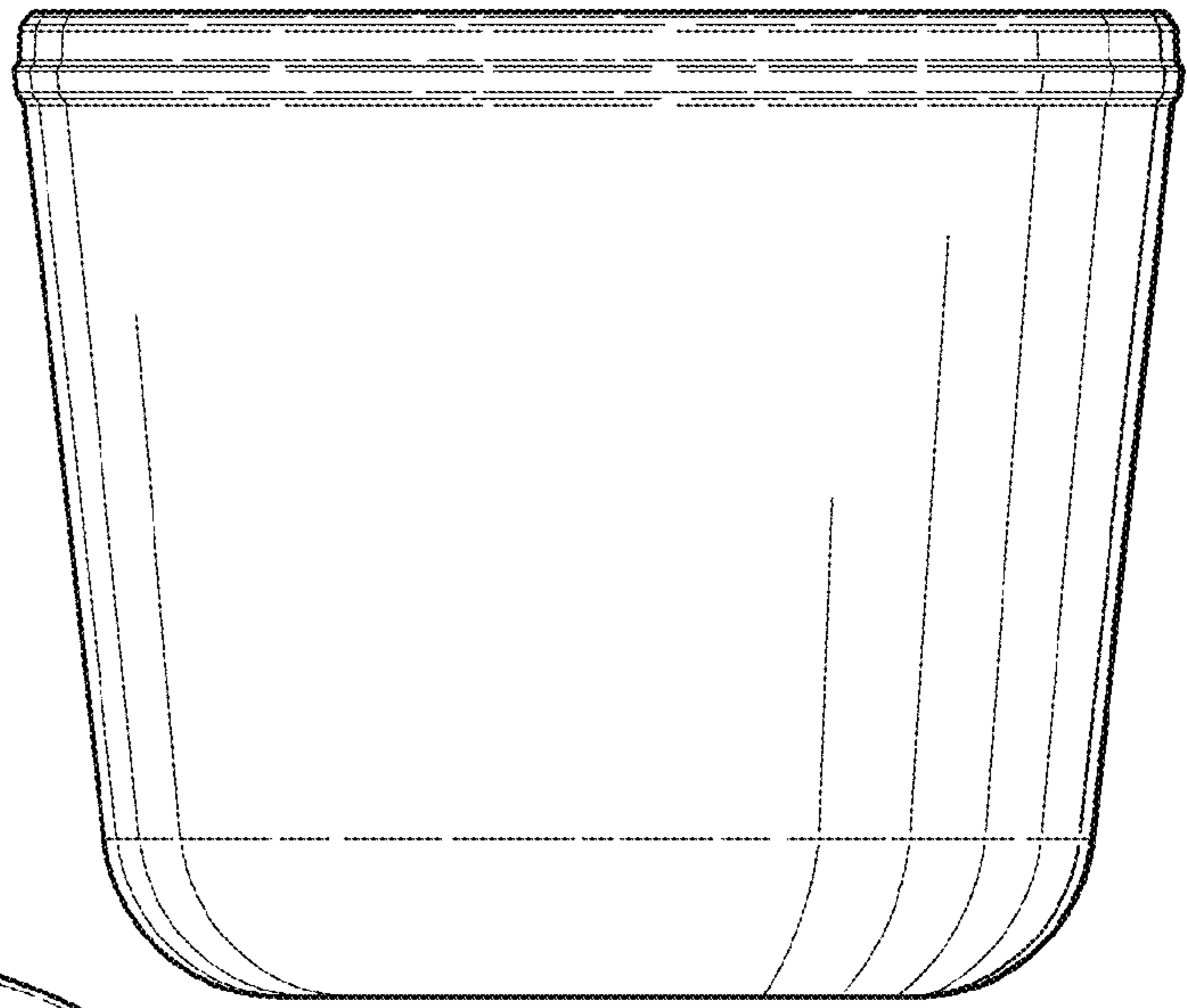


FIG. 27

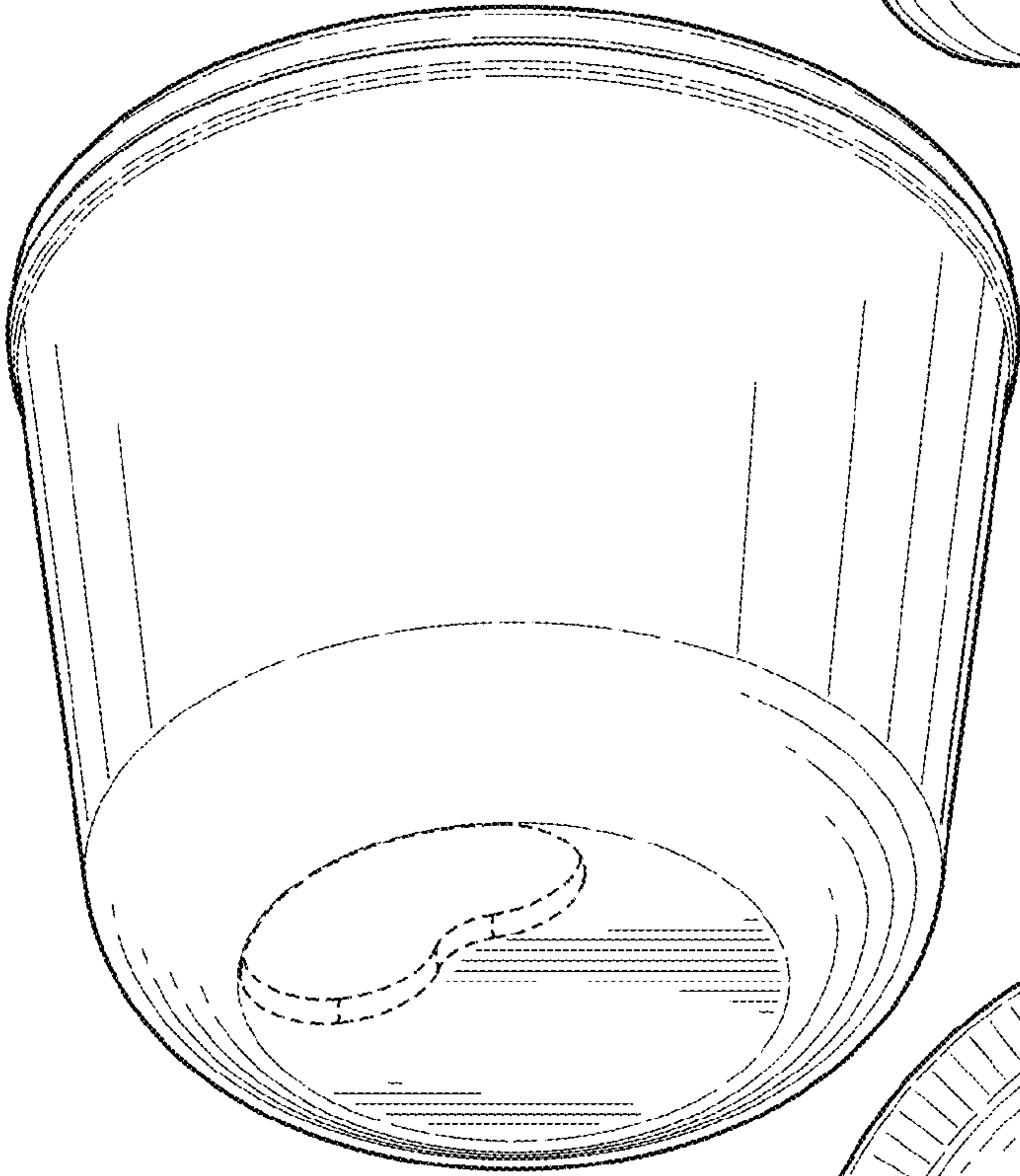
FIG. 28



*FIG. 30*



*FIG. 29*



*FIG. 31*

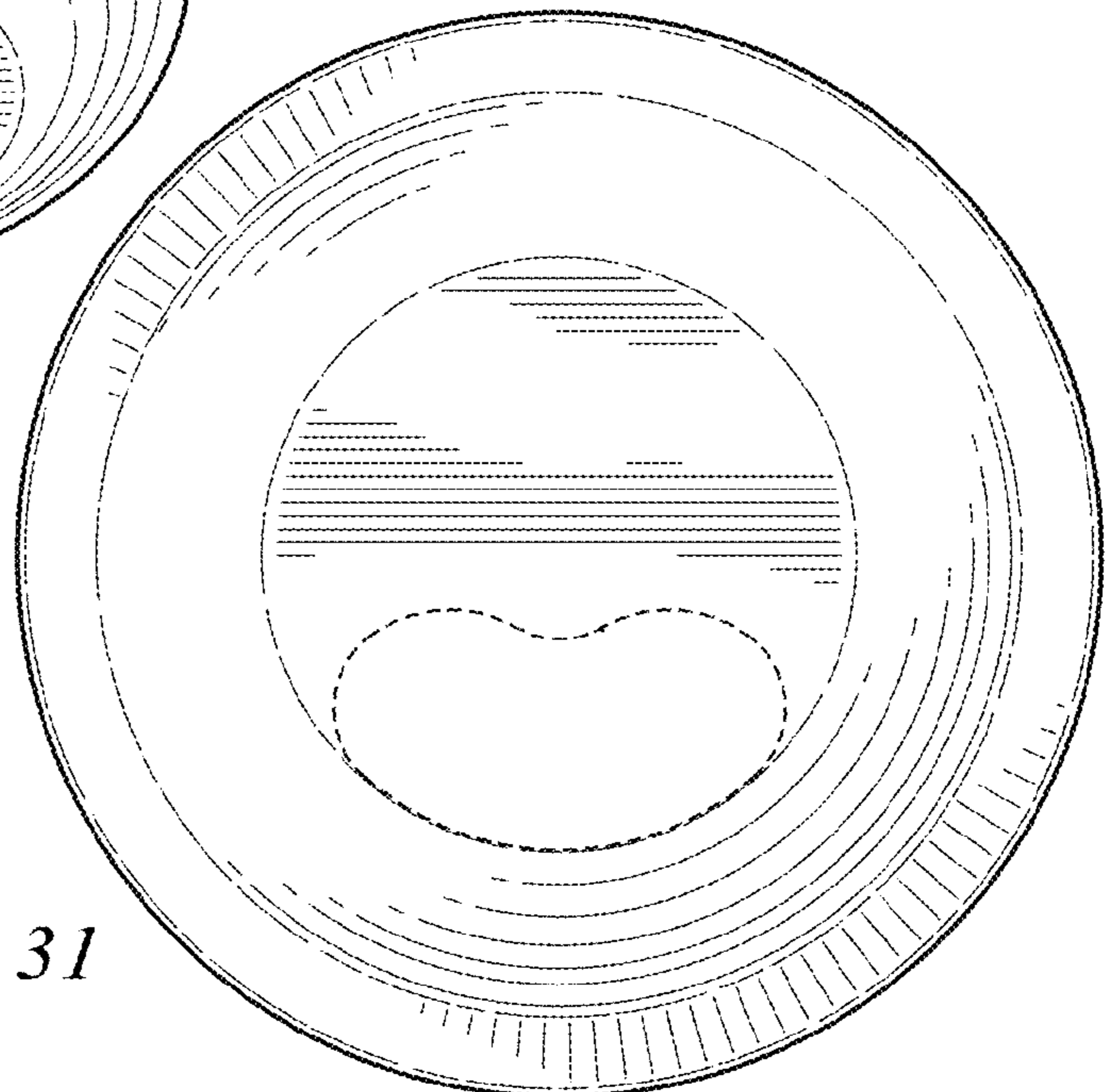




FIG. 32

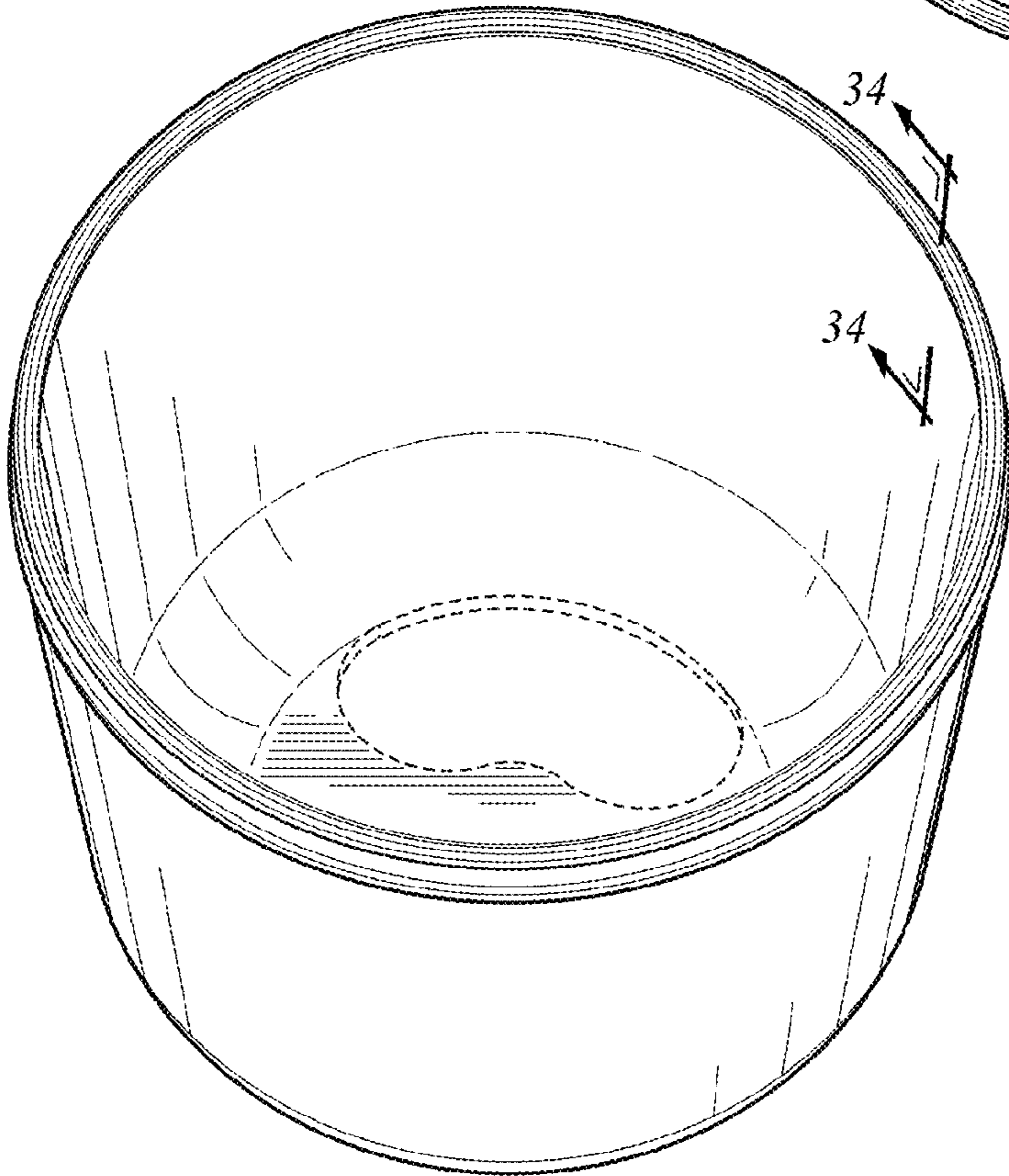
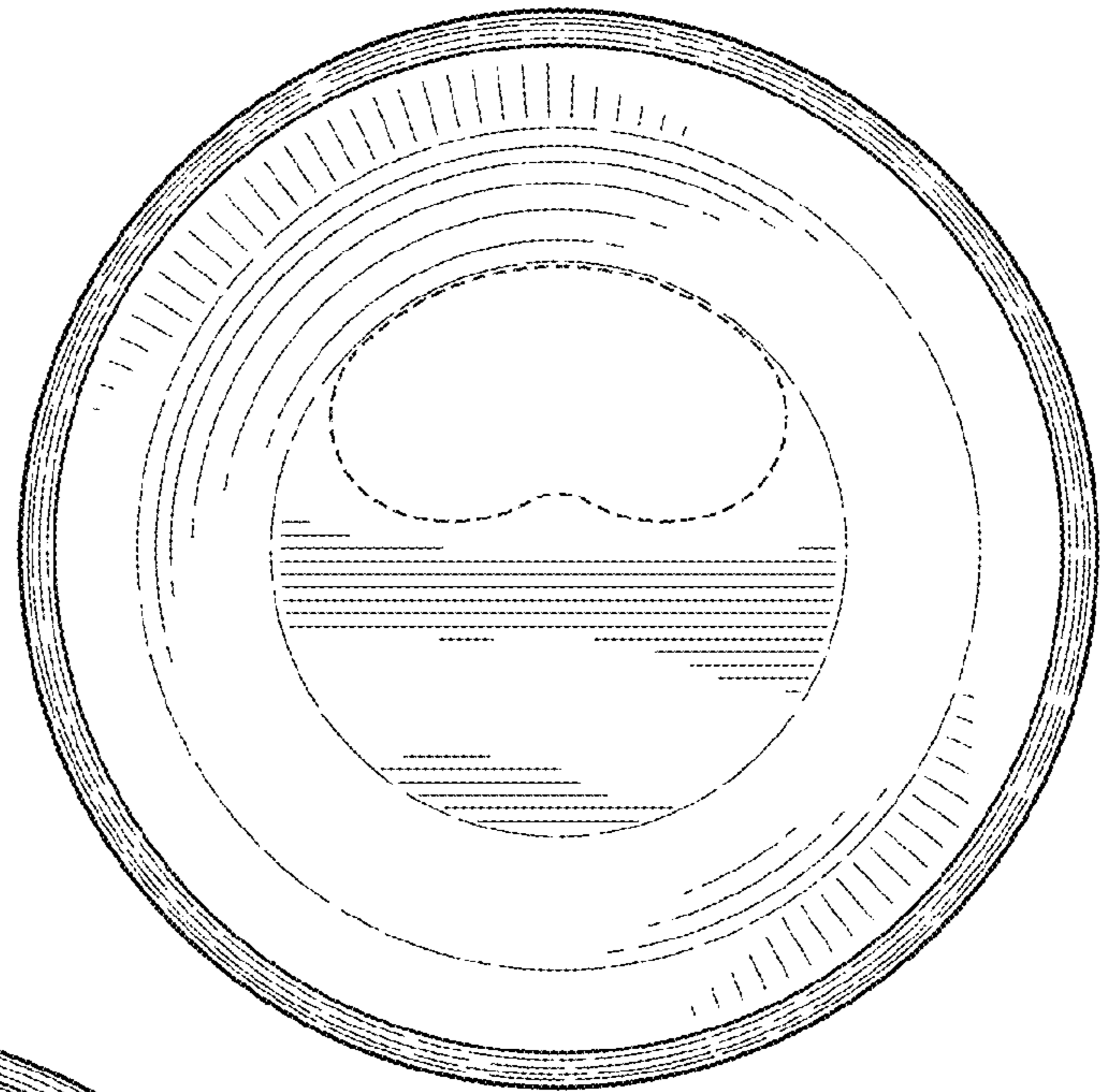
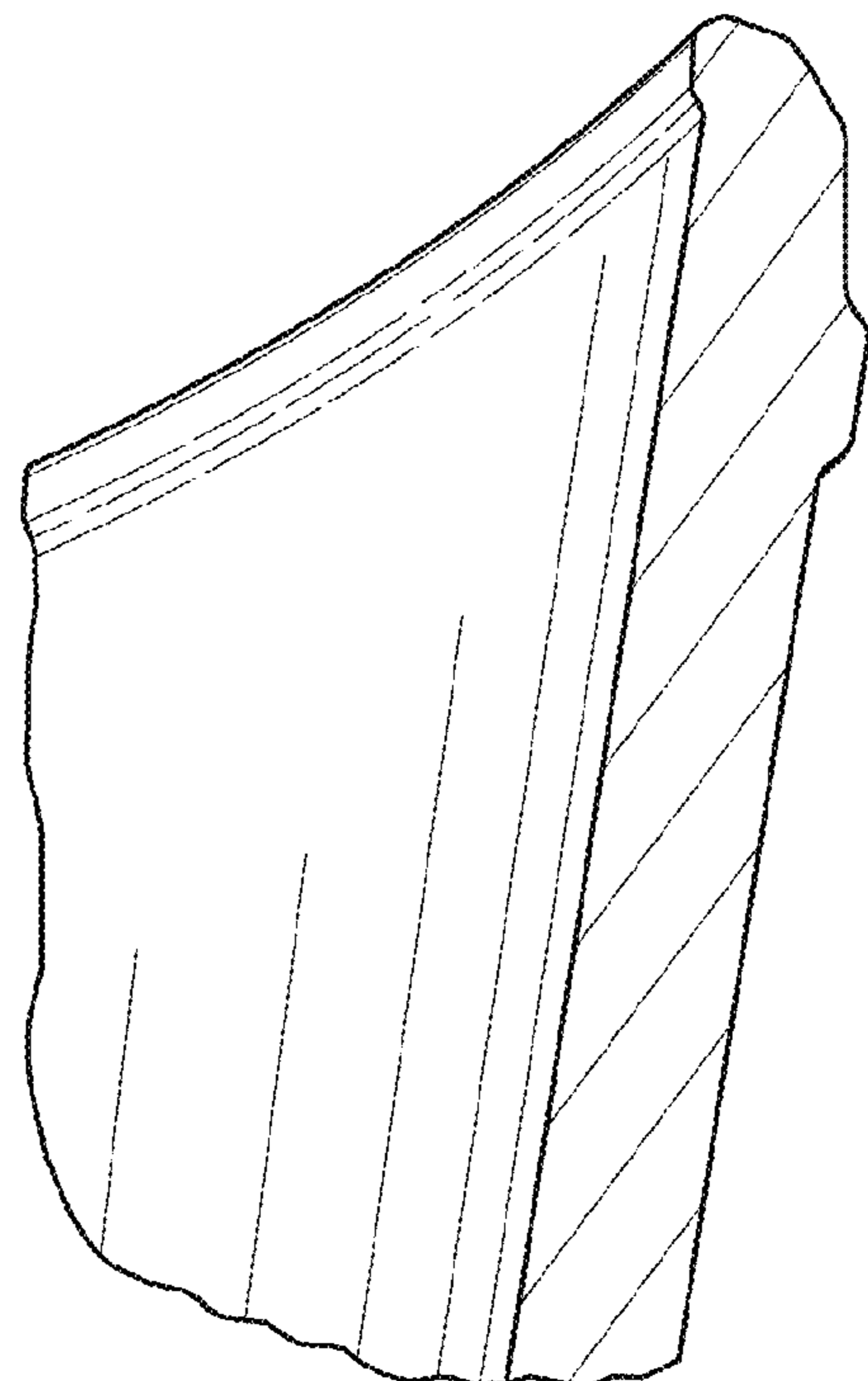
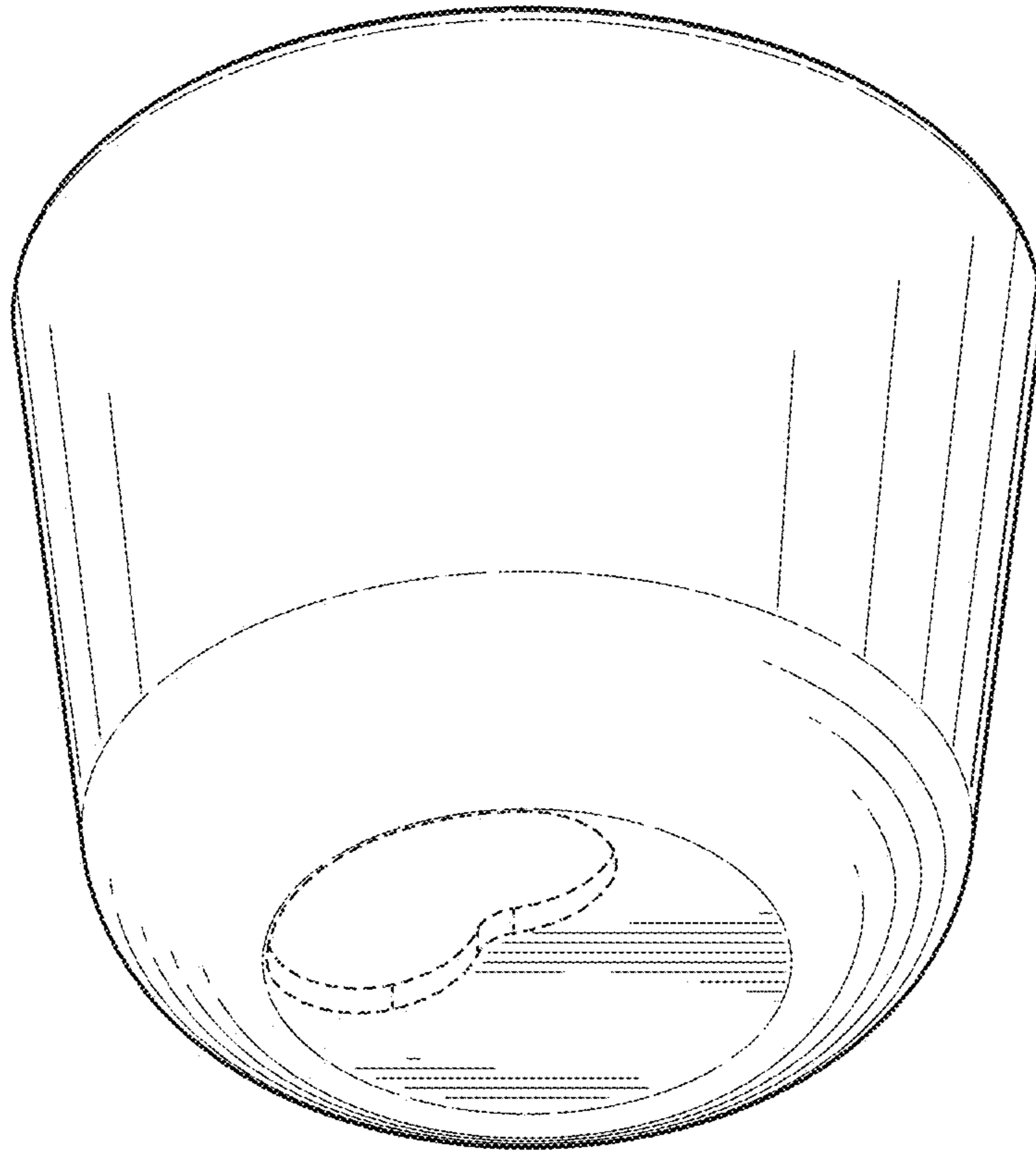


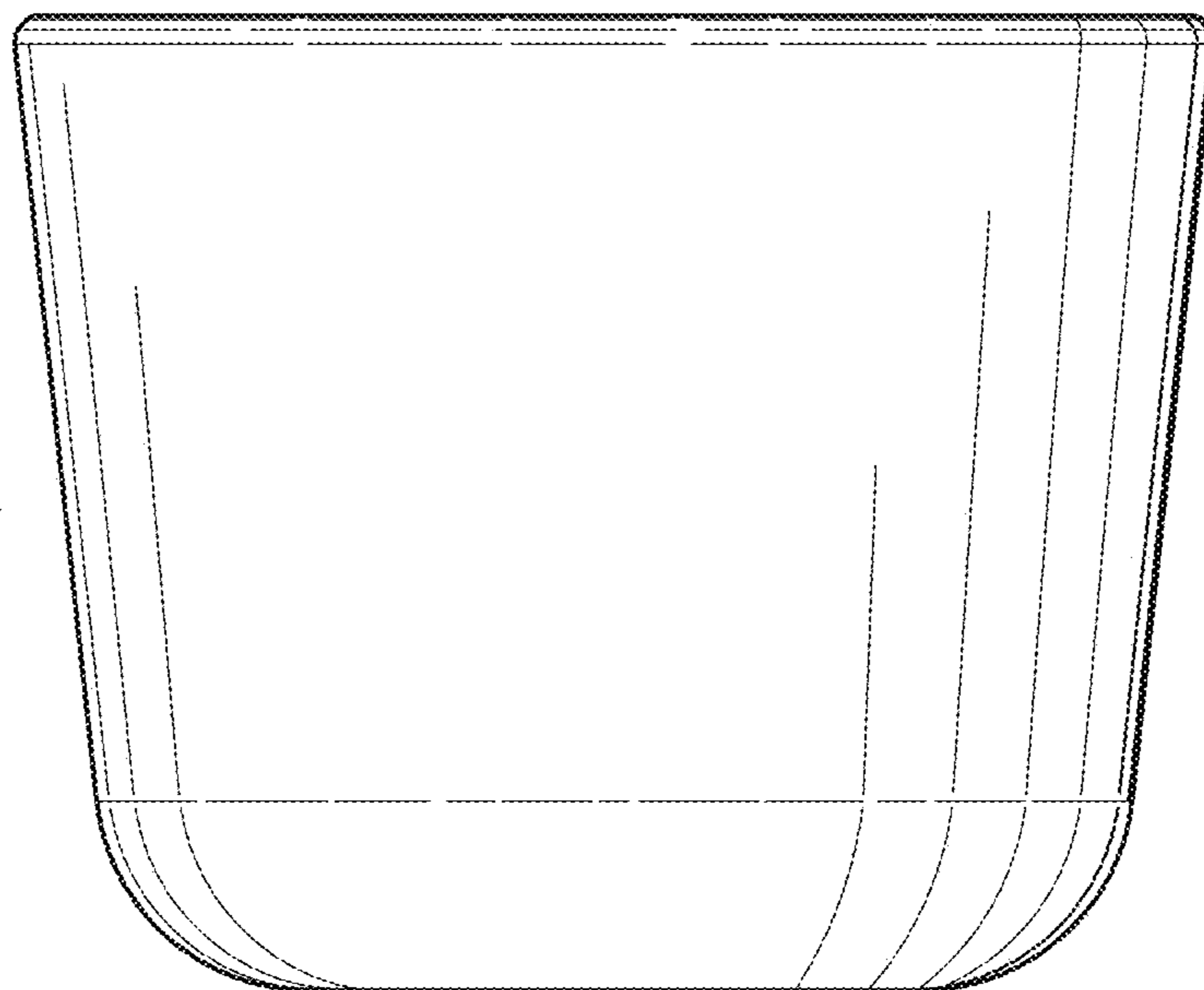
FIG. 33

FIG. 34



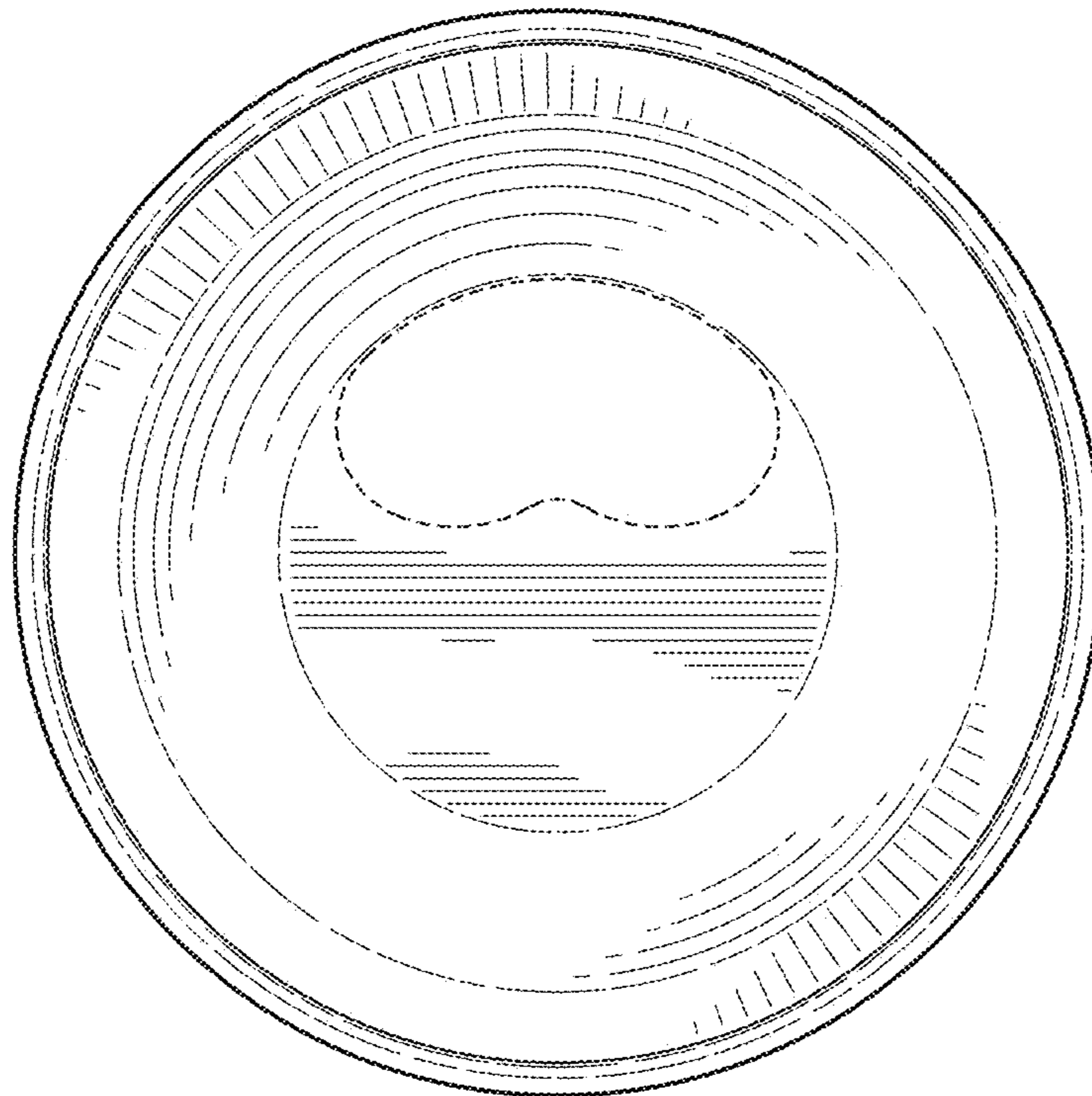
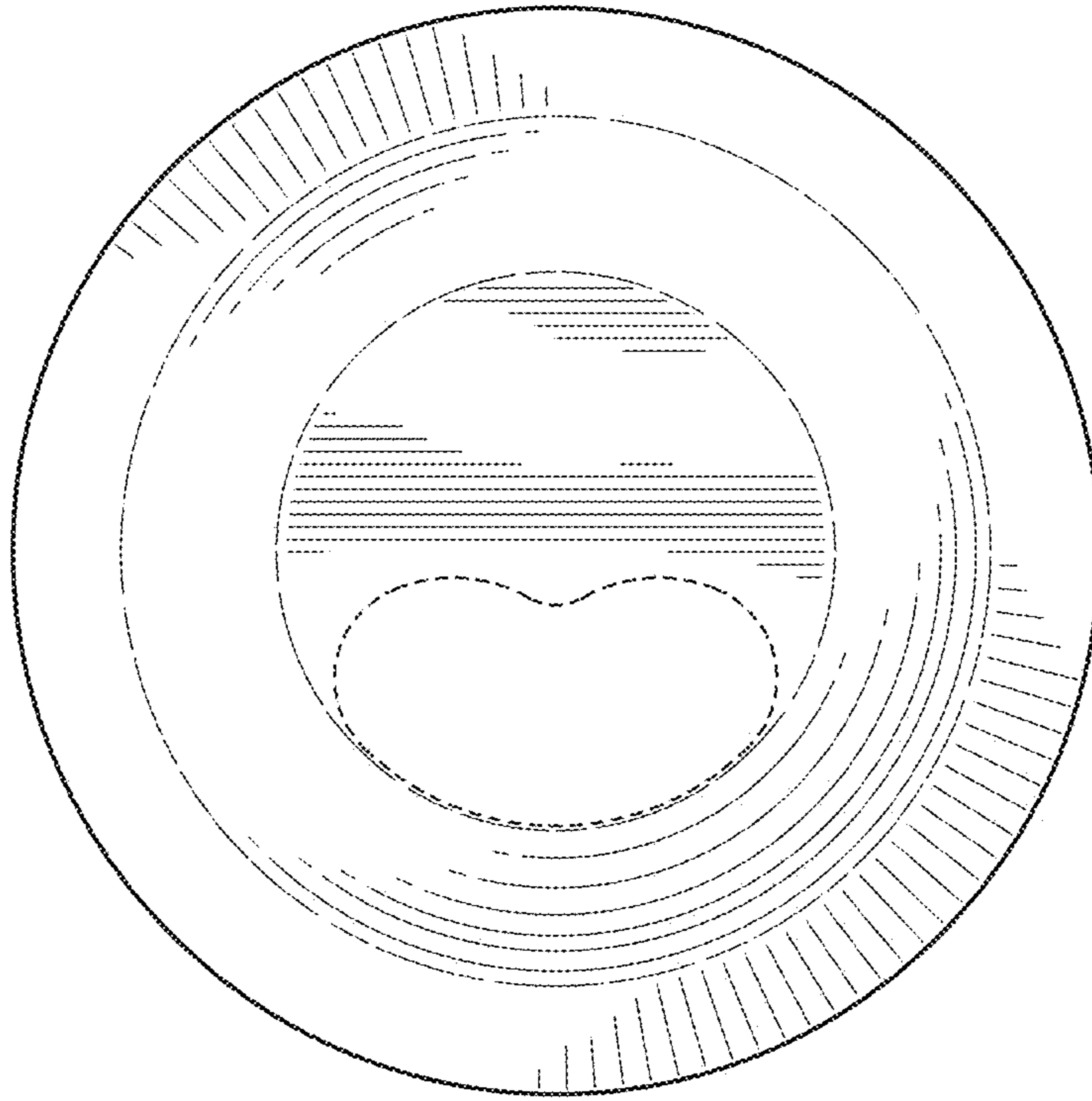


*FIG. 35*



*FIG. 36*

*FIG. 37*



*FIG. 38*



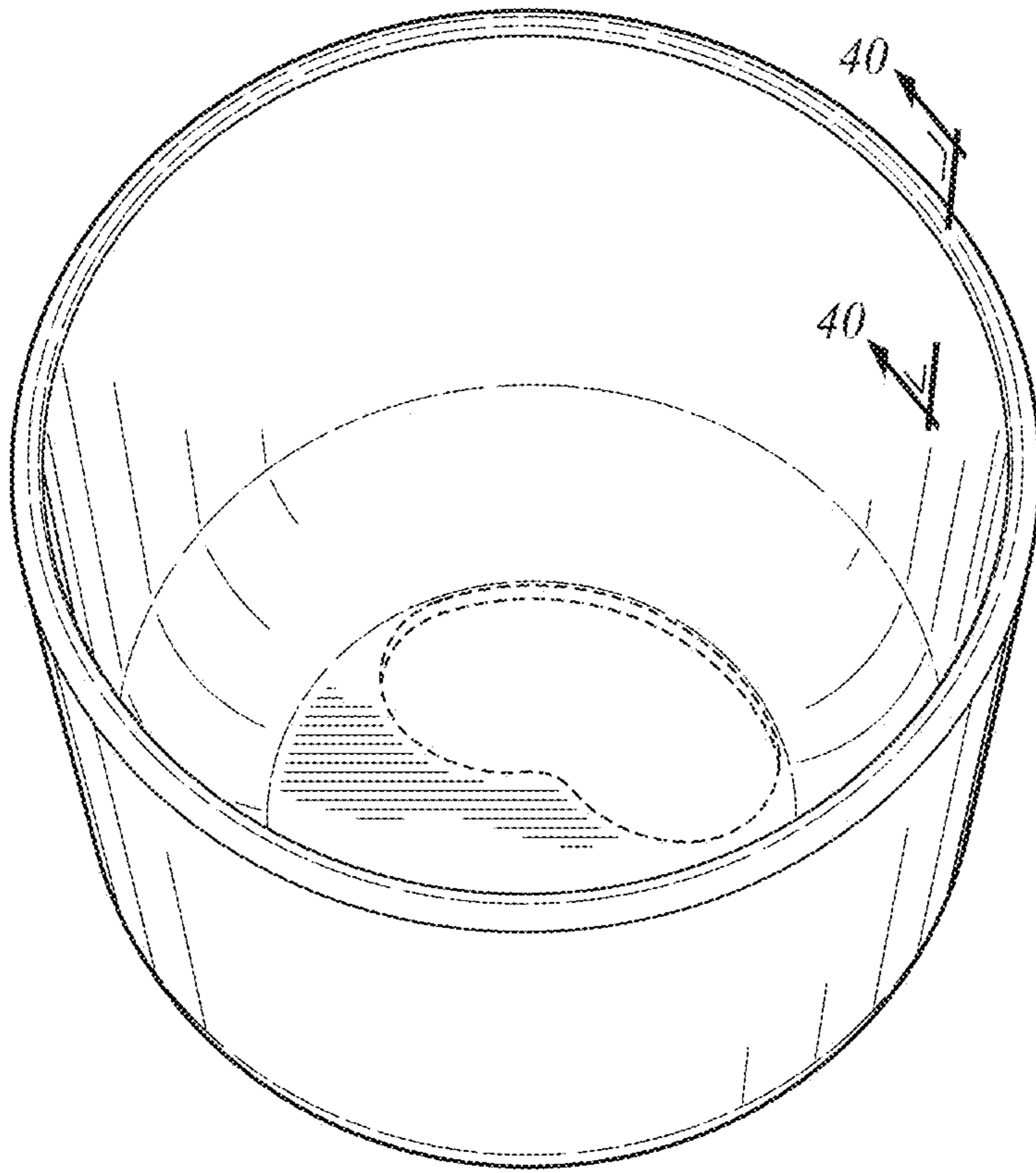


FIG. 39

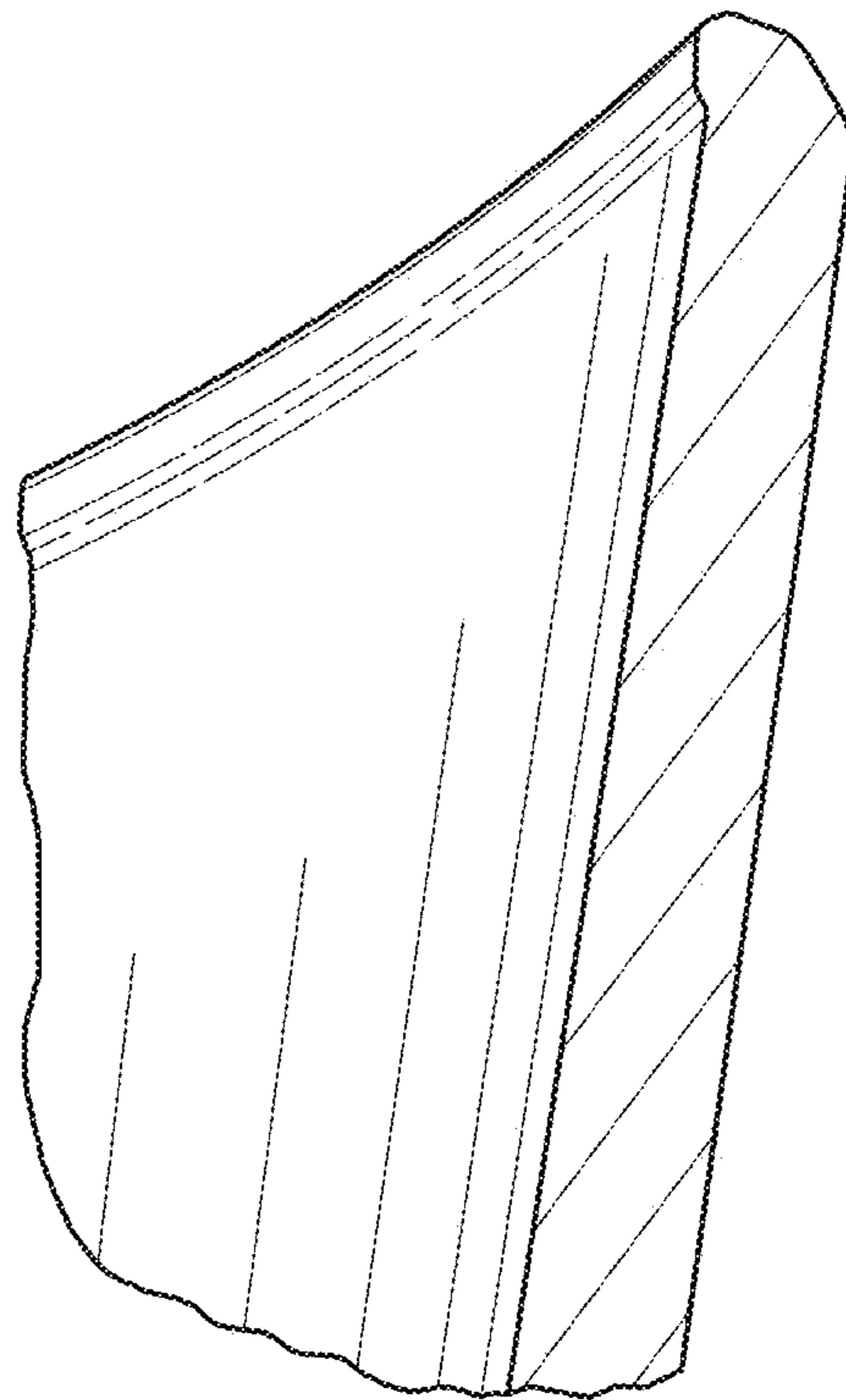


FIG. 40