



US00D877041S

(12) **United States Design Patent** (10) **Patent No.:** **US D877,041 S**  
**Moctezuma** (45) **Date of Patent:** **\*\* Mar. 3, 2020**

- (54) **MODULAR TRUCK RACK**
- (71) Applicant: **Westin Automotive Products, Inc.**,  
San Dimas, CA (US)
- (72) Inventor: **Jose Eduardo Lopez Moctezuma**,  
Imperial, CA (US)
- (73) Assignee: **Westin Automotive Products, Inc.**,  
San Dimas, CA (US)
- (\*\*) Term: **15 Years**
- (21) Appl. No.: **29/670,673**
- (22) Filed: **Nov. 19, 2018**
- (51) **LOC (12) Cl.** ..... **12-16**
- (52) **U.S. Cl.**  
USPC ..... **D12/412**
- (58) **Field of Classification Search**  
USPC ..... D12/401-414; D6/610, 611  
CPC .... B60R 9/00; B60R 9/02; B60R 9/04; B60R  
9/08; B60R 9/042; B60R 9/0423; B60R  
9/0426; B60R 9/045; B60R 9/048; B60R  
9/0485; B60R 9/05; B60R 9/052; B60R  
9/055; B60R 9/058; B60R 9/06; B60R  
9/065; B60R 9/10; B60R 9/12  
See application file for complete search history.

(56) **References Cited**

**U.S. PATENT DOCUMENTS**

|                |        |          |       |             |
|----------------|--------|----------|-------|-------------|
| D624,005 S *   | 9/2010 | Winner   | ..... | D12/412     |
| D765,577 S *   | 9/2016 | Kmita    | ..... | D12/412     |
| 9,580,004 B2 * | 2/2017 | Puchkoff | ..... | B60P 7/0815 |
| D807,276 S *   | 1/2018 | Aden     | ..... | D12/412     |
| D809,997 S *   | 2/2018 | Conner   | ..... | D12/412     |
| D811,986 S *   | 3/2018 | Torres   | ..... | D12/412     |
| D813,785 S *   | 3/2018 | Badillo  | ..... | D12/412     |
| D815,012 S *   | 4/2018 | Badillo  | ..... | D12/412     |

|                   |         |          |       |                       |
|-------------------|---------|----------|-------|-----------------------|
| D815,581 S *      | 4/2018  | Anderson | ..... | D12/406               |
| D816,011 S *      | 4/2018  | Garcia   | ..... | D12/406               |
| D866,448 S *      | 11/2019 | Ash      | ..... | D12/412               |
| 2005/0092796 A1 * | 5/2005  | Essig    | ..... | B60R 9/00<br>224/321  |
| 2011/0101056 A1 * | 5/2011  | Barkey   | ..... | B60R 9/052<br>224/321 |

\* cited by examiner

*Primary Examiner* — Katrina A Betton

(74) *Attorney, Agent, or Firm* — The Dobrusin Law Firm, PC

(57) **CLAIM**

The ornamental design for a modular truck rack, as shown and described.

**DESCRIPTION**

FIG. 1 is a front perspective view of the modular truck rack of the present invention;

FIG. 2 is a front view of the modular truck rack shown in FIG. 1;

FIG. 3 is a rear view of the modular truck rack shown in FIG. 1;

FIG. 4 is a bottom view of the modular truck rack shown in FIG. 1;

FIG. 5 is a top view of the modular truck rack shown in FIG. 1;

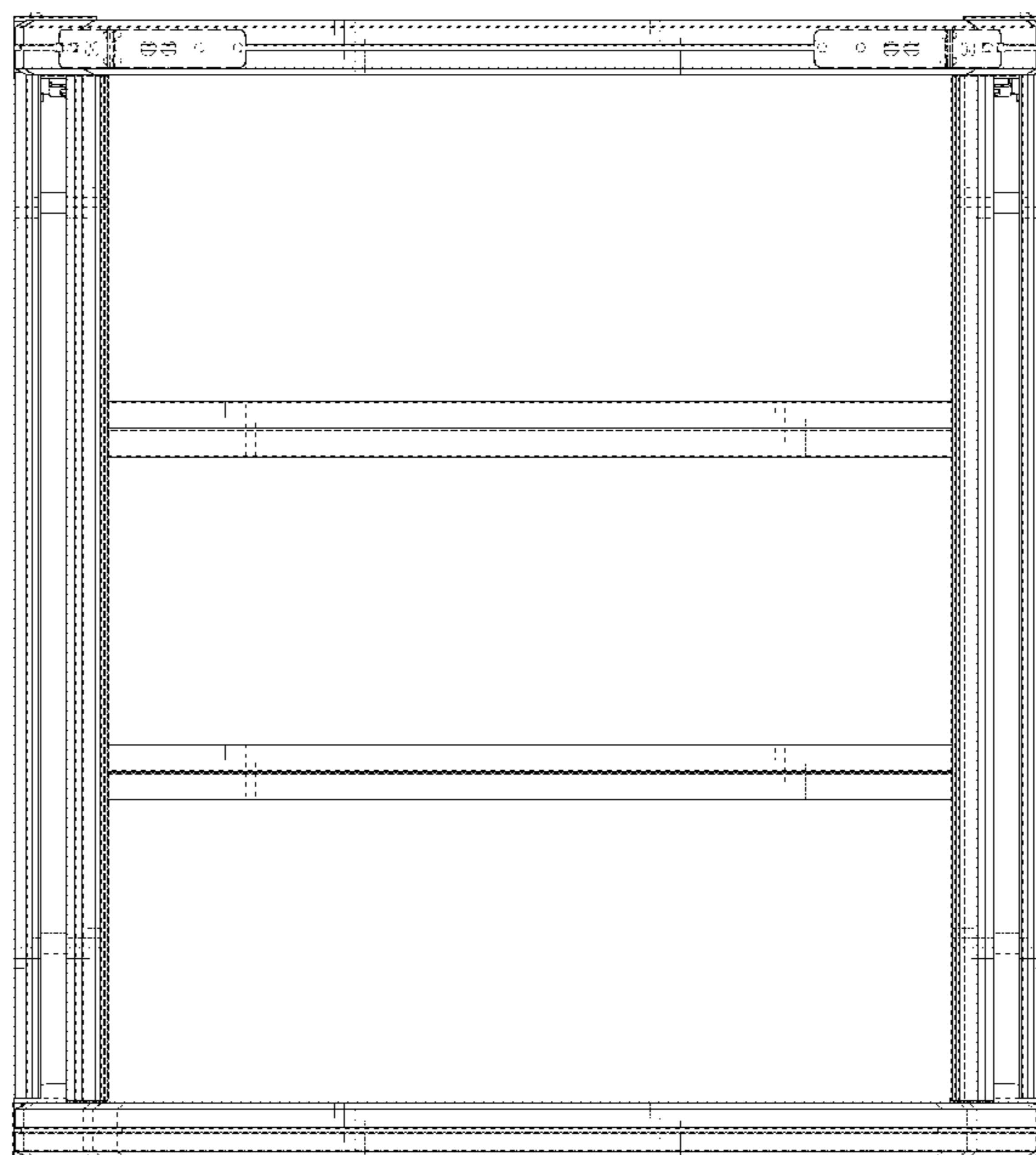
FIG. 6 is a view of one side of the modular truck rack shown in FIG. 1;

FIG. 7 is a view of the opposite side of the modular truck rack shown in FIG. 6; and,

FIG. 8 is a rear perspective view of the modular truck rack shown in FIG. 1.

The ornamental design which is claimed is shown in the solid lines in the drawings. The broken lines shown in the drawings are for the purpose of illustrating environmental structure and form no part of the claimed design.

**1 Claim, 6 Drawing Sheets**



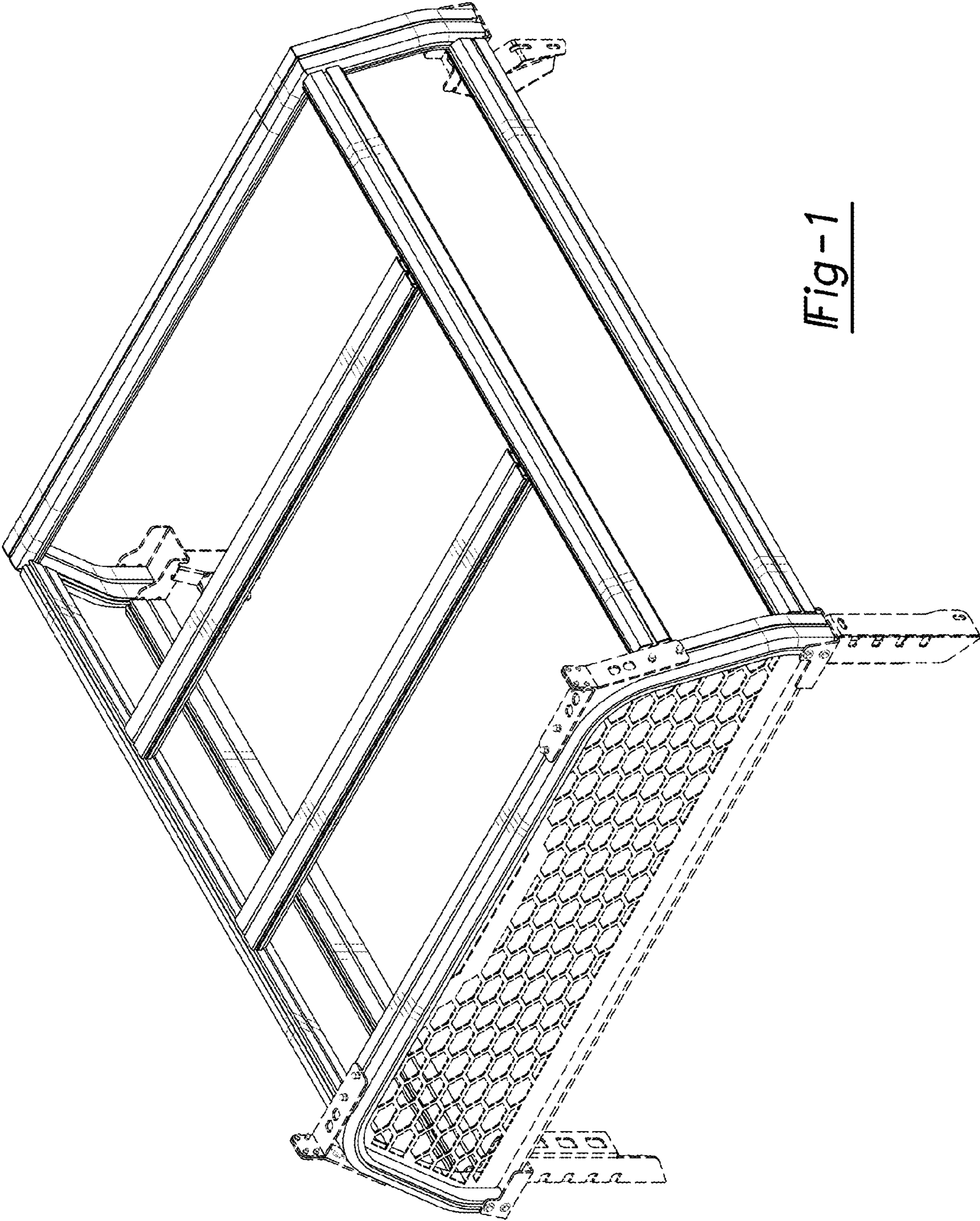


Fig-1

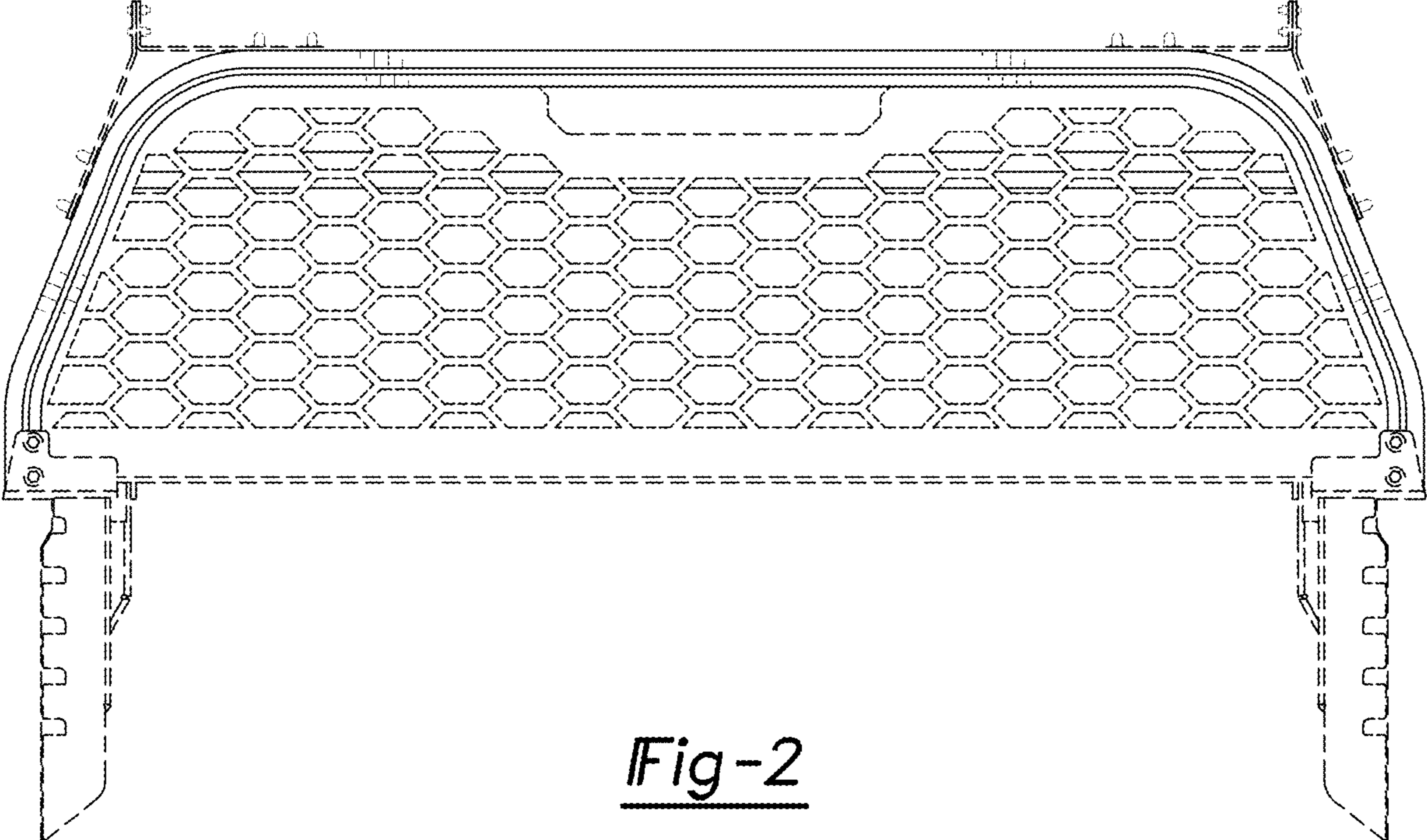


Fig-2

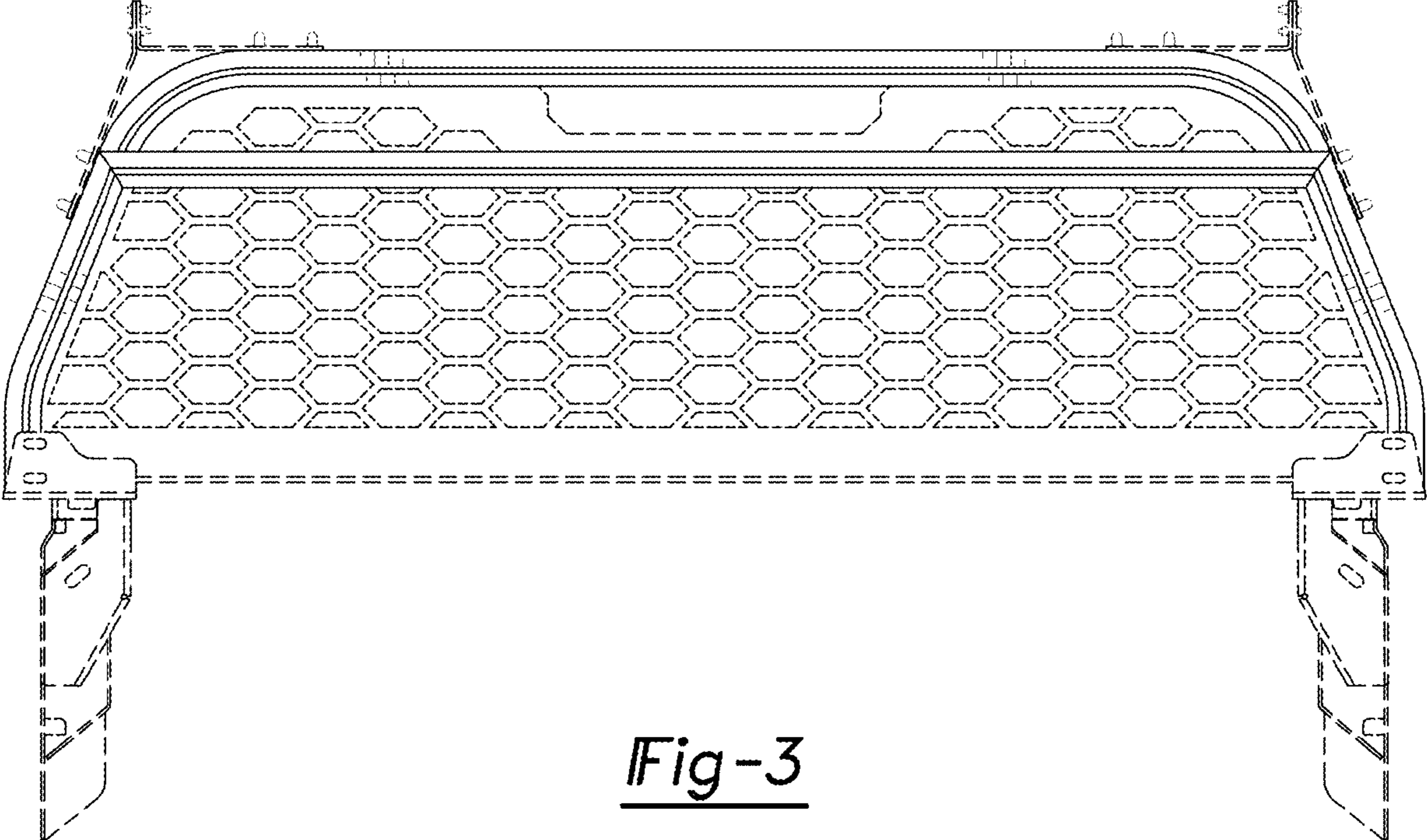


Fig-3

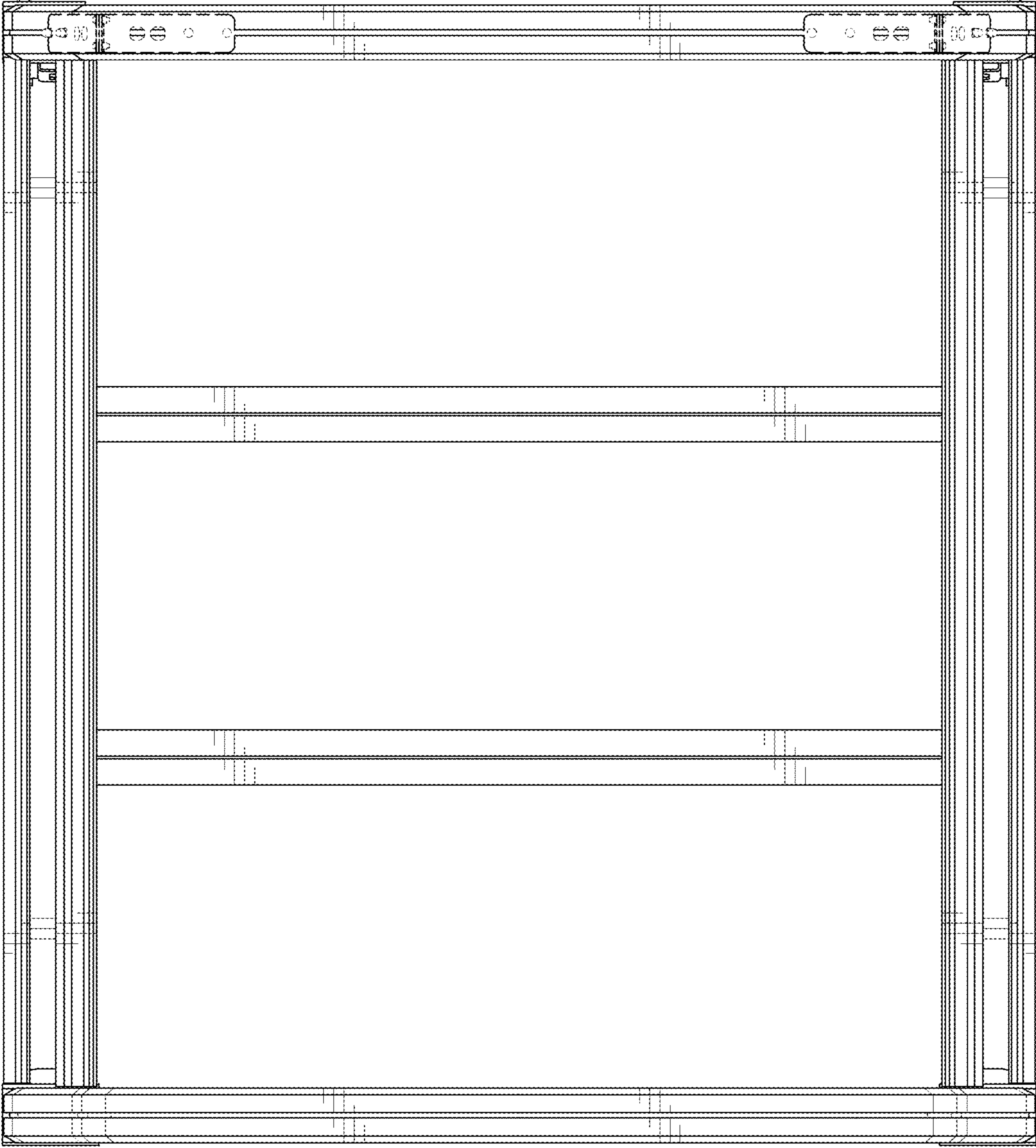


Fig-4

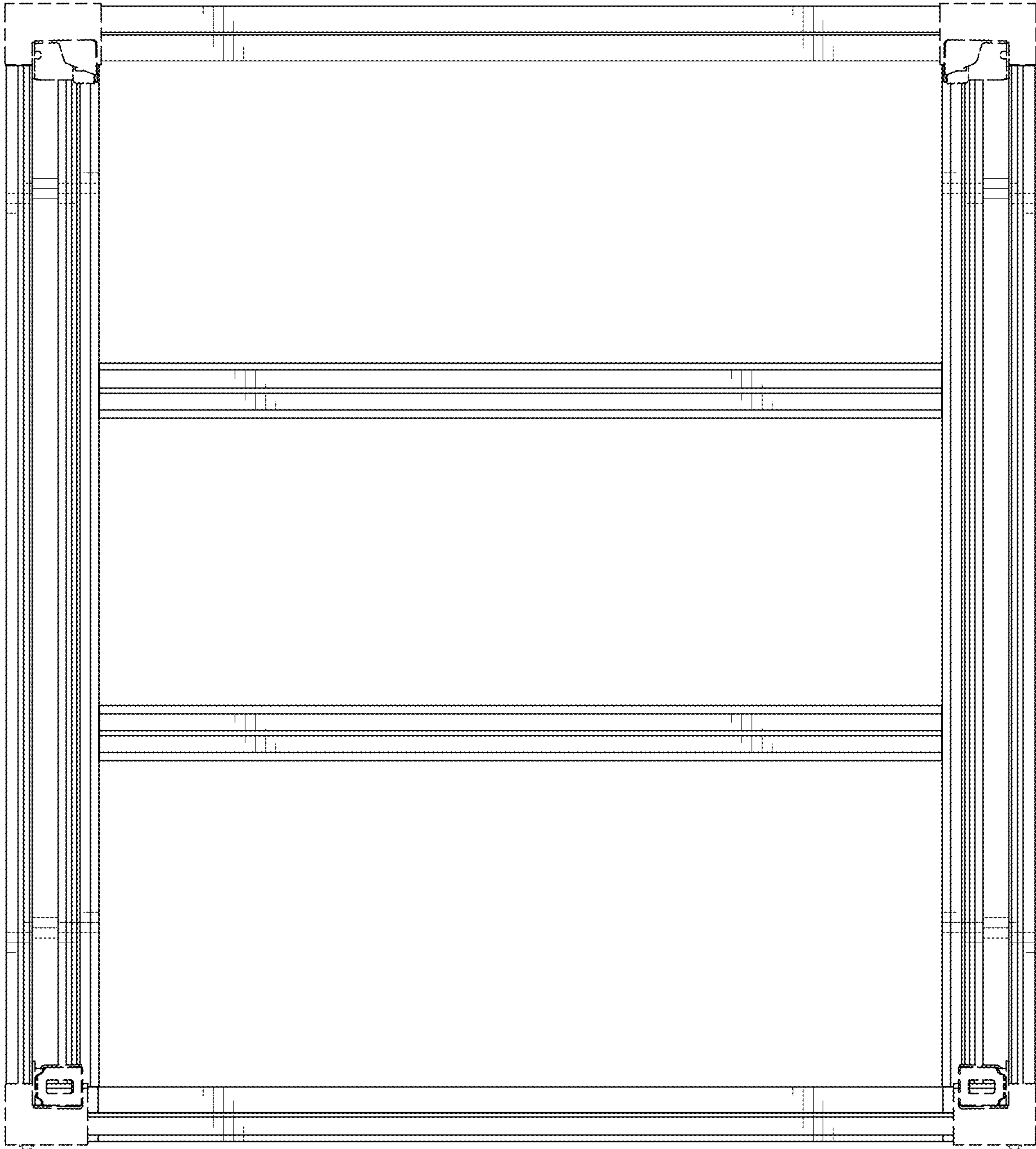


Fig-5

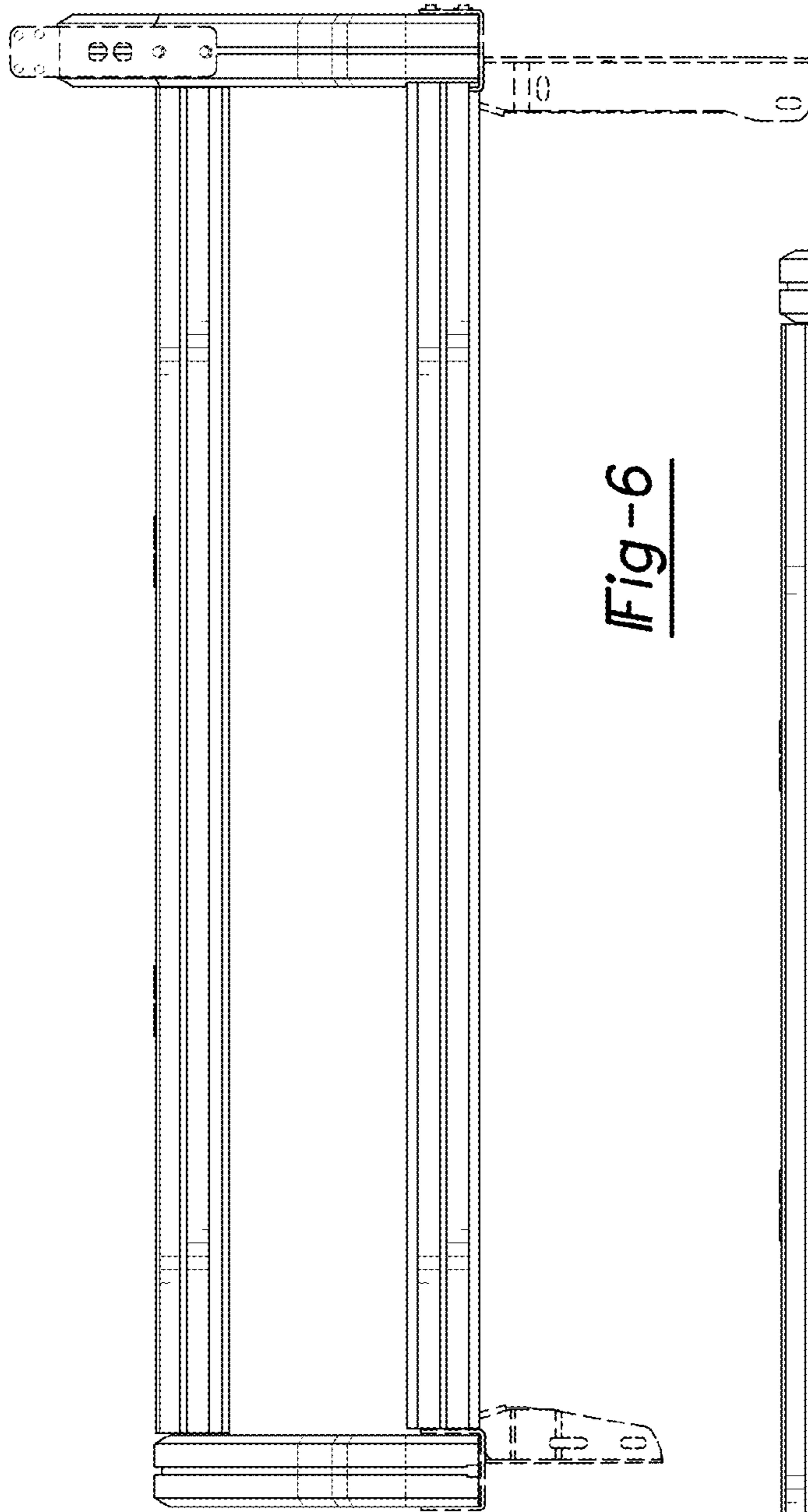


Fig-6

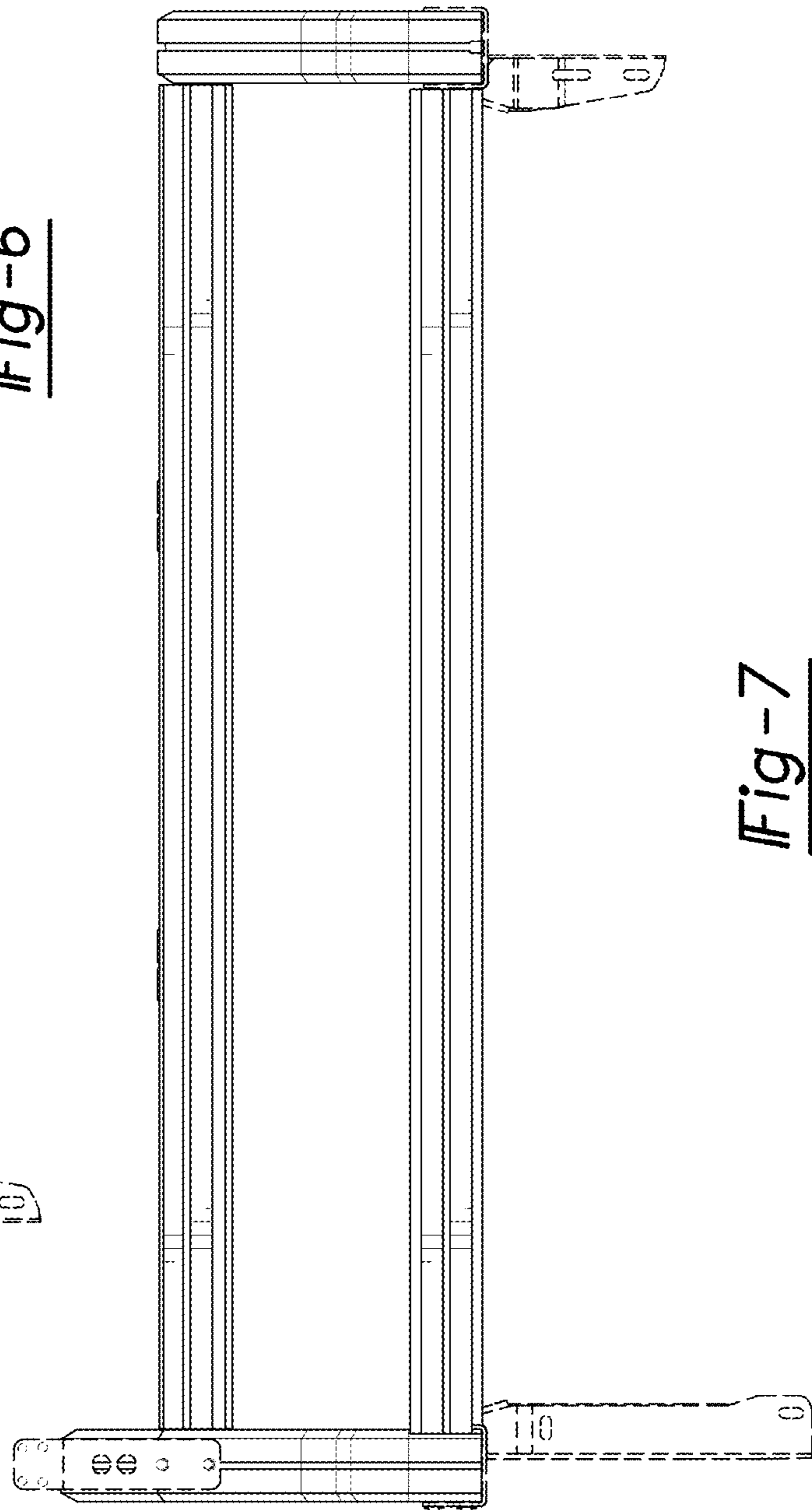


Fig-7

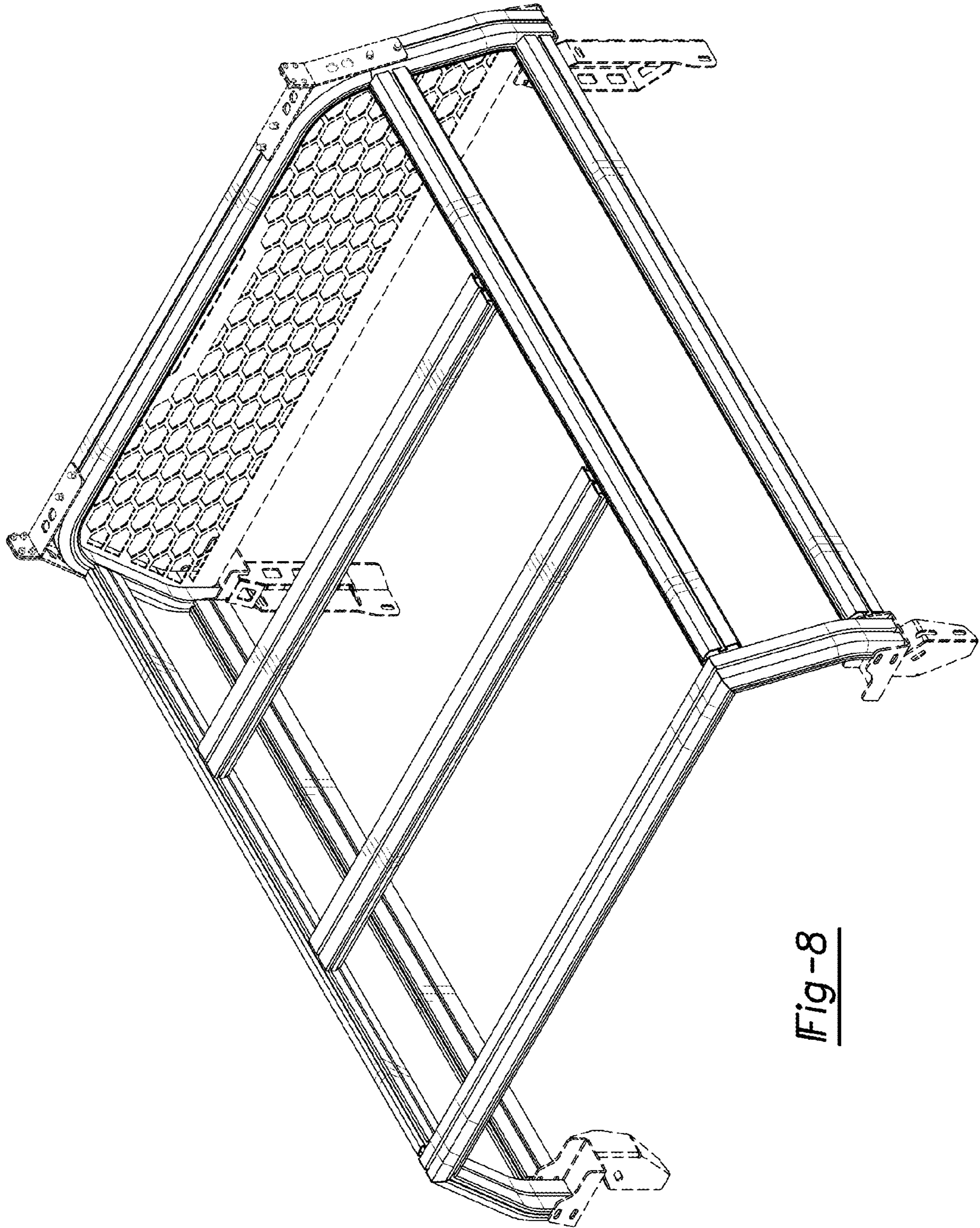


Fig-8