



US00D877037S

(12) **United States Design Patent**  
**Dexter**

(10) **Patent No.:** **US D877,037 S**  
(45) **Date of Patent:** **\*\* Mar. 3, 2020**

(54) **TRIANGULAR VEHICLE ORGANIZER**

(71) Applicant: **Tim Dexter**, Orland, CA (US)

(72) Inventor: **Tim Dexter**, Orland, CA (US)

(\*\*) Term: **15 Years**

(21) Appl. No.: **29/642,472**

(22) Filed: **Mar. 29, 2018**

(51) **LOC (12) Cl.** ..... **12-16**

(52) **U.S. Cl.**  
USPC ..... **D12/400**

(58) **Field of Classification Search**  
USPC ..... D12/221–223, 400, 401, 404, 406, 41,  
D12/414, 86, 93, 98, 101; D6/552;  
D26/31; D9/431–433, 44, 420, 422, 423,  
D9/424  
CPC . B60J 1/06; B60R 27/00; B60R 99/00; B60R  
5/00; B60R 7/04; B60Q 1/0483; B60N  
2/30

See application file for complete search history.

(56) **References Cited**

**U.S. PATENT DOCUMENTS**

D250,461 S \* 12/1978 Bott ..... D12/414  
D257,354 S \* 10/1980 Fish ..... D15/9  
D271,916 S \* 12/1983 Koch ..... D12/423  
4,555,114 A \* 11/1985 Dozier ..... A63F 7/40  
273/126 R

(Continued)

**OTHER PUBLICATIONS**

MasterCraft Safety 640115-Small Black Vinyl Jimco bag, Carid.com, [online], [site visited Jul. 7, 2019]. <URL: <https://www.carid.com/mastercraftsafety/small-black-vinyl-jimco-bag-mpn-640115.html>> (Year: 2019).\*

(Continued)

*Primary Examiner* — T Chase Nelson  
*Assistant Examiner* — Jonathan J. Han

(74) *Attorney, Agent, or Firm* — R. Lynette Wylie; Apex Juris, pllc.

(57) **CLAIM**

The ornamental design for a triangular vehicle organizer, as shown and described.

**DESCRIPTION**

FIG. 1 is a perspective front view of the first embodiment of the triangular vehicle organizer having a generally arcuate lower corner.

FIG. 2 is a perspective front view of the second embodiment of the triangular vehicle organizer having a generally angular lower corner.

FIG. 3 is a left side view of the triangular vehicle organizer of FIG. 1.

FIG. 4 is a right side view of the triangular vehicle organizer of FIG. 1.

FIG. 5 is top view of the triangular vehicle organizer of FIG. 1.

FIG. 6 is a bottom view of the triangular vehicle organizer of FIG. 1.

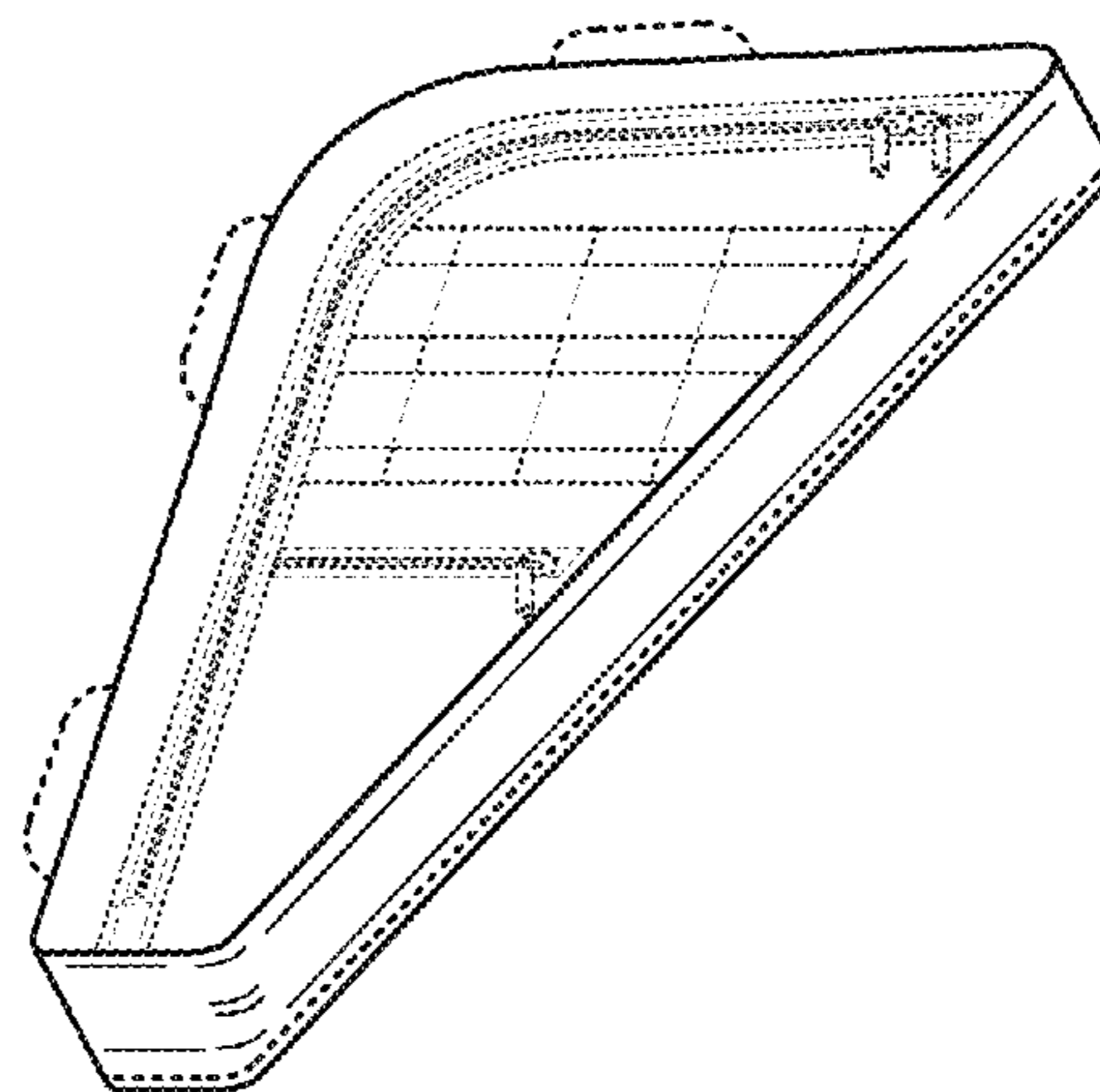
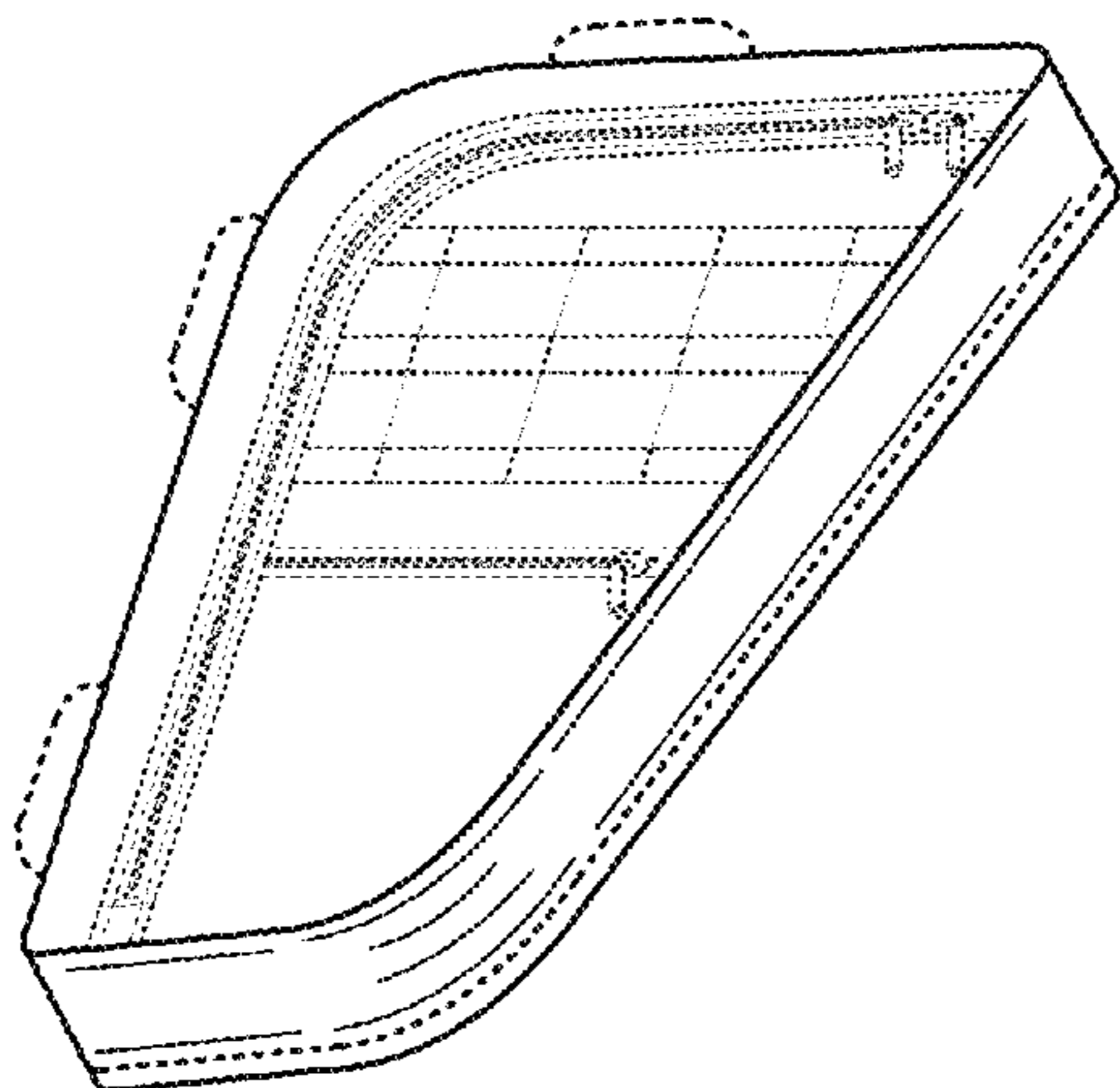
FIG. 7 is a front perspective view of the triangular vehicle organizer of FIG. 1 and a mirror image counterpart shown in condition of use being installed along the top rail of roll bars facing the rear of a vehicle; and,

FIG. 8 is a front perspective view of the triangular vehicle organizer of FIG. 2 and a mirror image counterpart shown in condition of use being installed in side rails of roll bars of a vehicle.

The back of the triangular vehicle organizer is plain and devoid of markings.

The claimed design includes broken lines designating the zipper and interior compartment stitching on the front and inside of the outer edges of the triangular vehicle organizer. The broken lines designating exterior straps for fastening the triangular vehicle organizer and a vehicle are shown for environmental purpose only and are not part of the claimed design.

**1 Claim, 5 Drawing Sheets**



(56)

References Cited

U.S. PATENT DOCUMENTS

D293,626 S \* 1/1988 Beran ..... D3/290  
 D303,766 S \* 10/1989 Delbanco ..... D9/782  
 D312,423 S \* 11/1990 Orlinsky ..... D10/106.1  
 D401,582 S \* 11/1998 Gremchuck ..... D14/210  
 D403,854 S \* 1/1999 Marcusson ..... D3/217  
 D433,231 S \* 11/2000 Kaplan ..... D3/273  
 D446,013 S \* 8/2001 Pironti ..... D3/287  
 D472,464 S \* 4/2003 Snider ..... D3/294  
 D484,684 S \* 1/2004 Eldon, III ..... D3/205  
 D514,997 S \* 2/2006 Hall ..... D12/196  
 D528,968 S \* 9/2006 Storer ..... D12/222  
 D544,704 S \* 6/2007 Kenny ..... D3/203.1  
 D587,131 S \* 2/2009 Friedland ..... D9/707  
 D601,795 S \* 10/2009 Chen ..... D3/254  
 D601,884 S \* 10/2009 Andre ..... D9/430  
 D616,738 S \* 6/2010 Andre ..... D9/430  
 D631,751 S \* 2/2011 Fox ..... D9/520  
 D651,685 S \* 1/2012 Honzelka ..... D13/162  
 D669,502 S \* 10/2012 Ohm ..... D15/9  
 D703,488 S \* 4/2014 De Veiga Martins .... D10/113.4  
 D753,568 S \* 4/2016 Warden ..... D12/196  
 D764,905 S \* 8/2016 Banerjee ..... D9/420  
 D821,955 S \* 7/2018 Dexter ..... D12/221  
 D832,728 S \* 11/2018 Piccoli ..... D10/106.91

D836,947 S \* 1/2019 Davis ..... D6/553  
 D841,558 S \* 2/2019 Mosingo ..... D12/222  
 D845,869 S \* 4/2019 Wymore ..... D12/222  
 2003/0173387 A1\* 9/2003 Mitchell ..... B60R 9/06  
 224/499  
 2018/0111565 A1\* 4/2018 Wymore ..... B60J 7/068

OTHER PUBLICATIONS

Bicycle Bike Cycling Front Tube Triangle Storage Pouch Case Frame Bag Organizer, Ebay.com, [online], [site visited Jul. 7, 2019]. <URL: <https://www.ebay.com/itm/Bicycle-Bike-Cycling-Front-Tube-Triangle-Storage-Pouch-Case-Frame-Bag-Organizer-/153311083316>> (Year: 2019).\*

PRP Seats E51-210 Black Triangle Bag for Yamaha YXZ, Amazon.com, Date First Available: Jan. 14, 2016, [online], [site visited Jul. 7, 2019]. <URL: [https://www.amazon.com/PRP-Seats-E51-210-Triangle-Yamaha/dp/B01AY4NEGI/ref=asc\\_df\\_B01AY4NEGI/?tag=hyprod-20&linkCode=df0&hvadid=343211963494&hv](https://www.amazon.com/PRP-Seats-E51-210-Triangle-Yamaha/dp/B01AY4NEGI/ref=asc_df_B01AY4NEGI/?tag=hyprod-20&linkCode=df0&hvadid=343211963494&hv)> (Year: 2016).\*

Bestop 54136-35 Black Diamon Tailgate Organizer, Amazon.com, Date First Available: Sep. 21, 2012, [online], [site visited Jul. 7, 2019]. <URL: <https://www.amazon.com/Bestop-54136-35-Diamond-Tailgate-Organizer/dp/B009EVP6Q0>> (Year: 2012).\*

\* cited by examiner

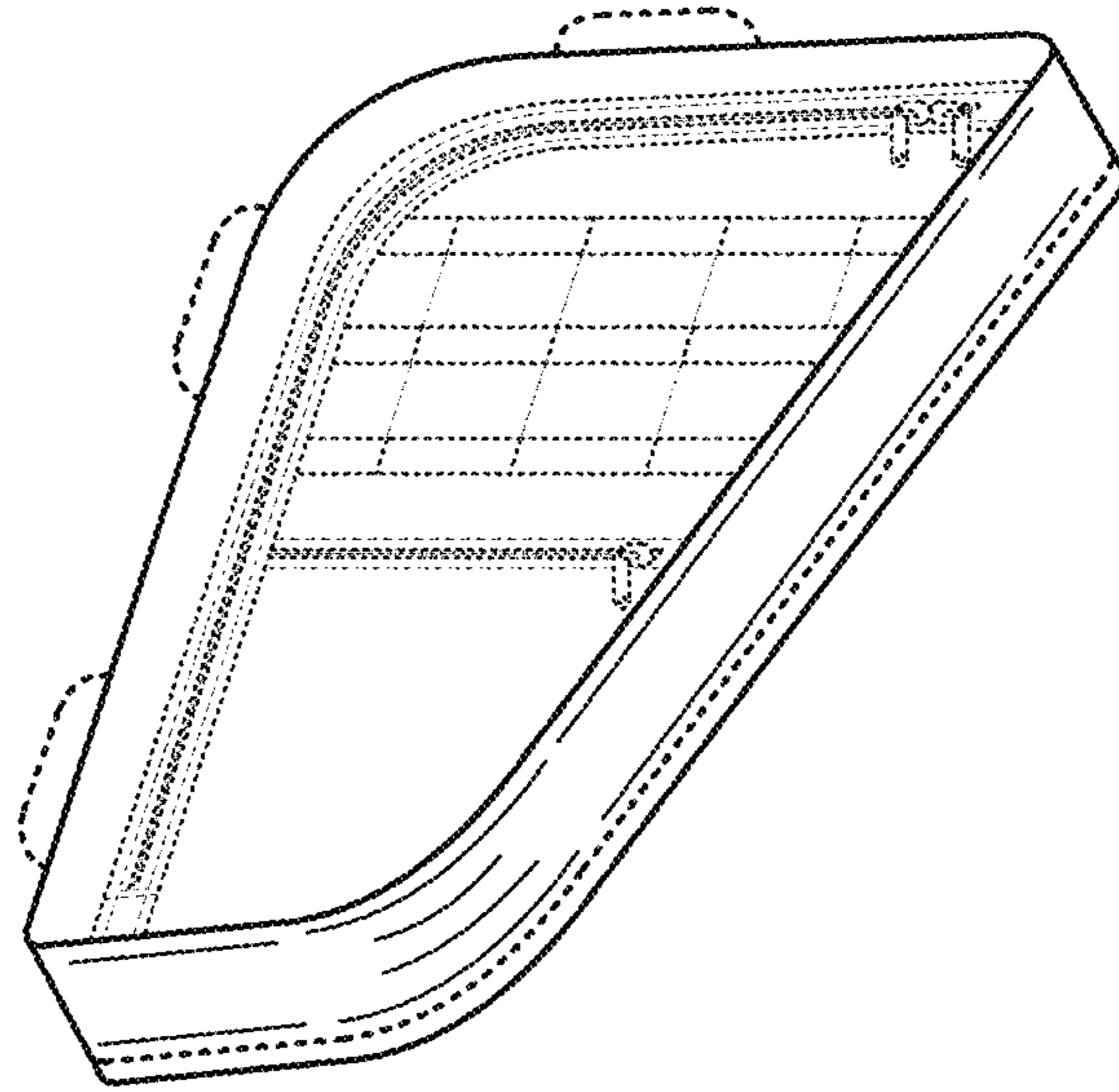


FIG. 1

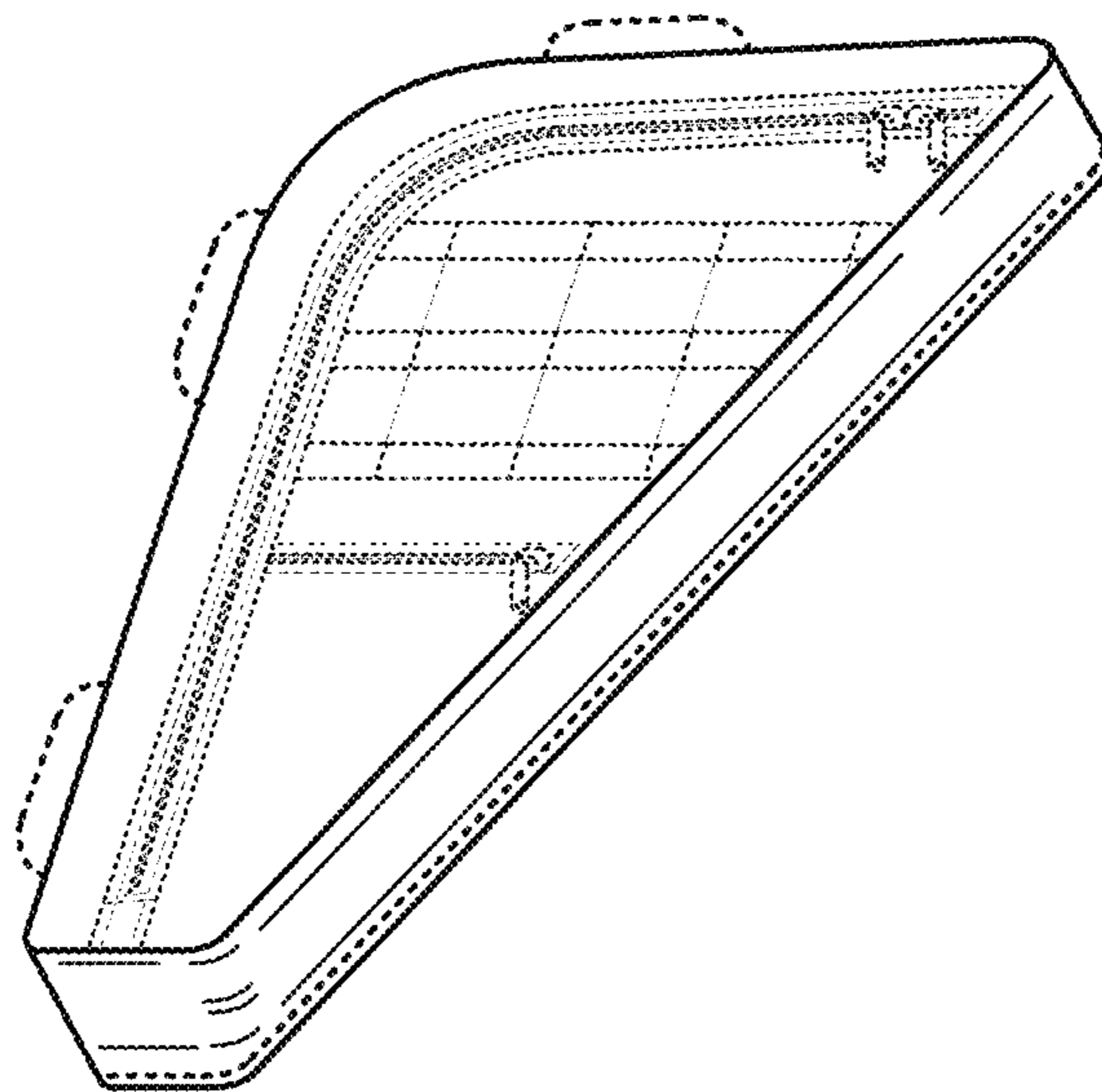


FIG. 2

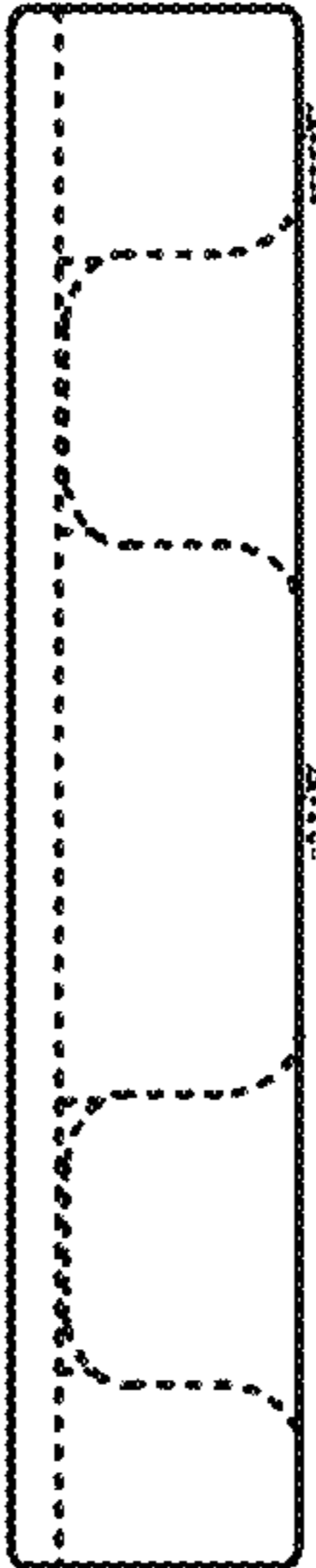


FIG. 3

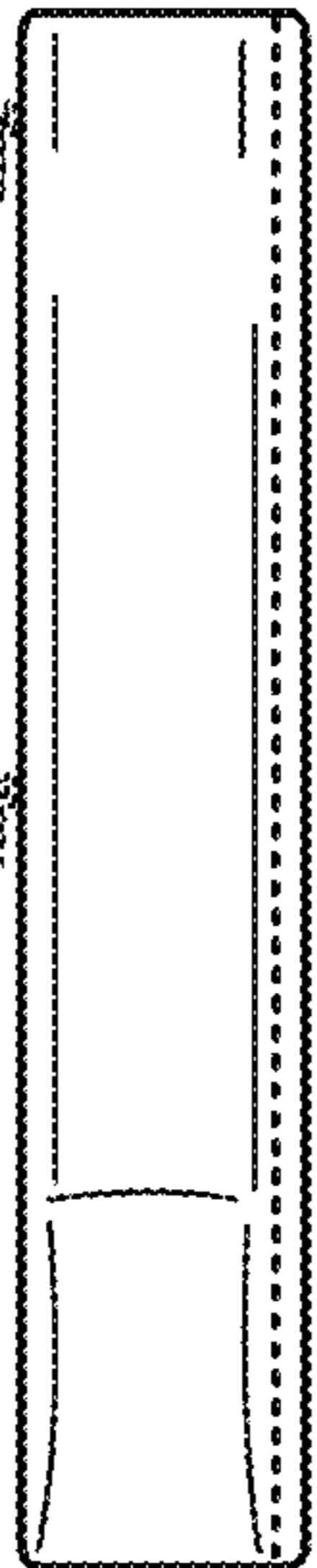


FIG. 4



FIG. 5

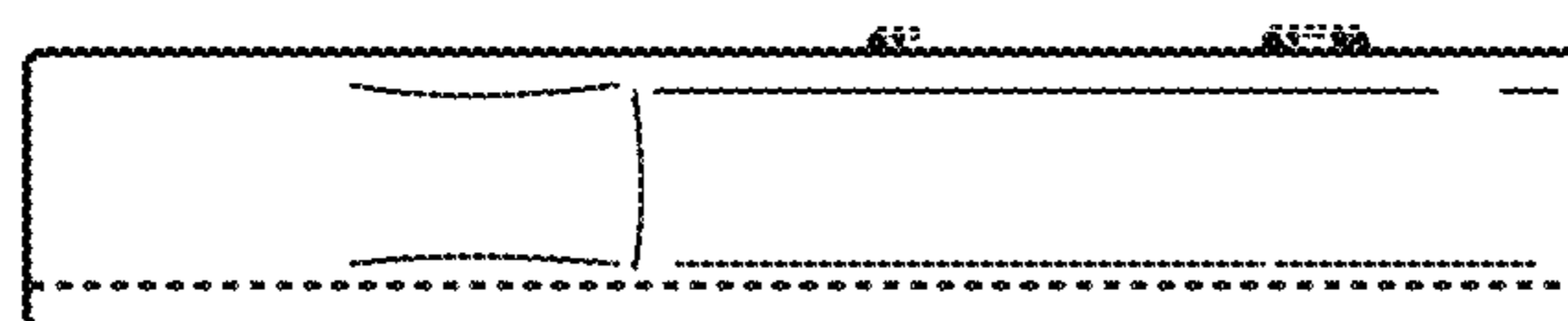


FIG. 6

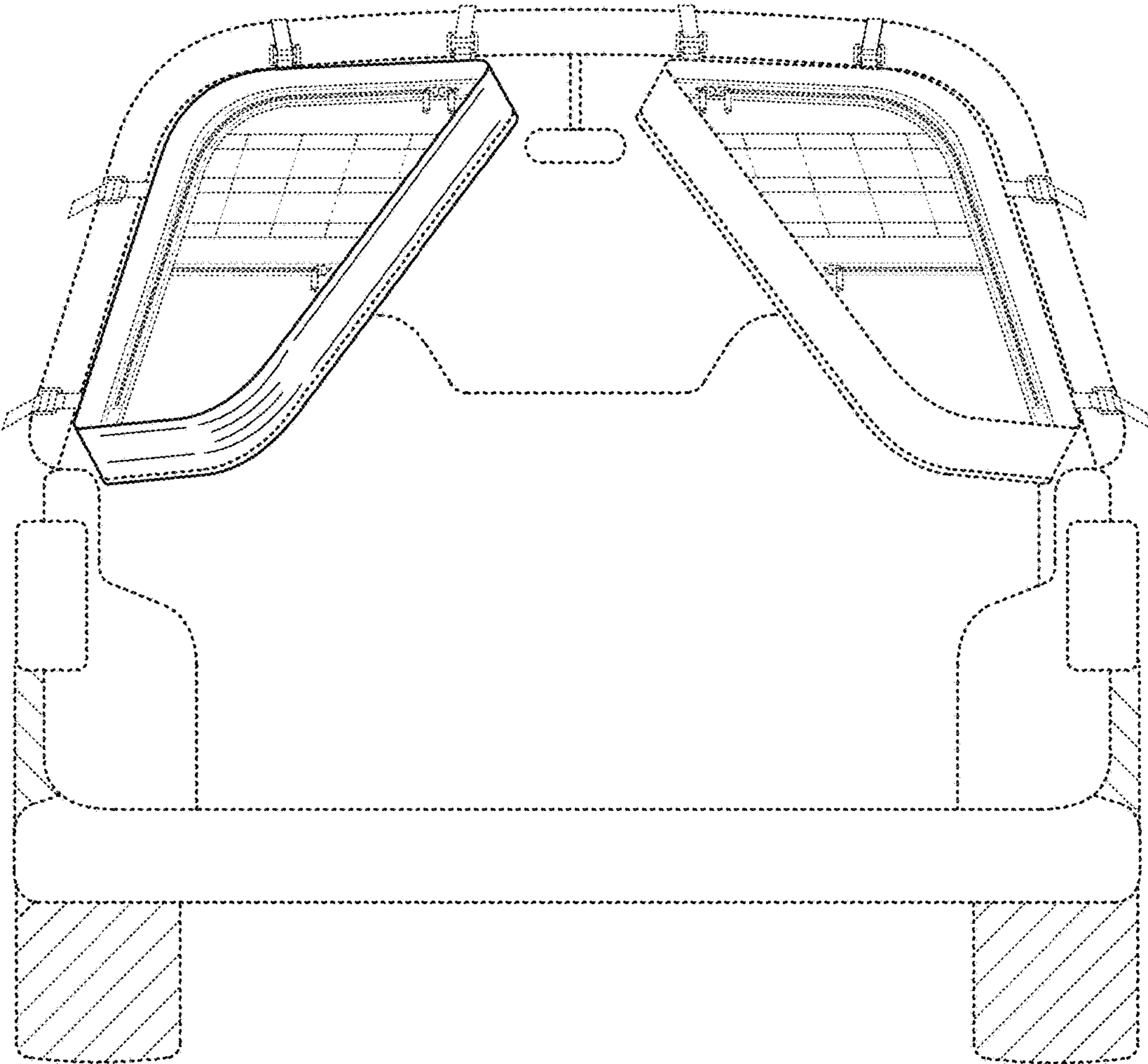


FIG. 7

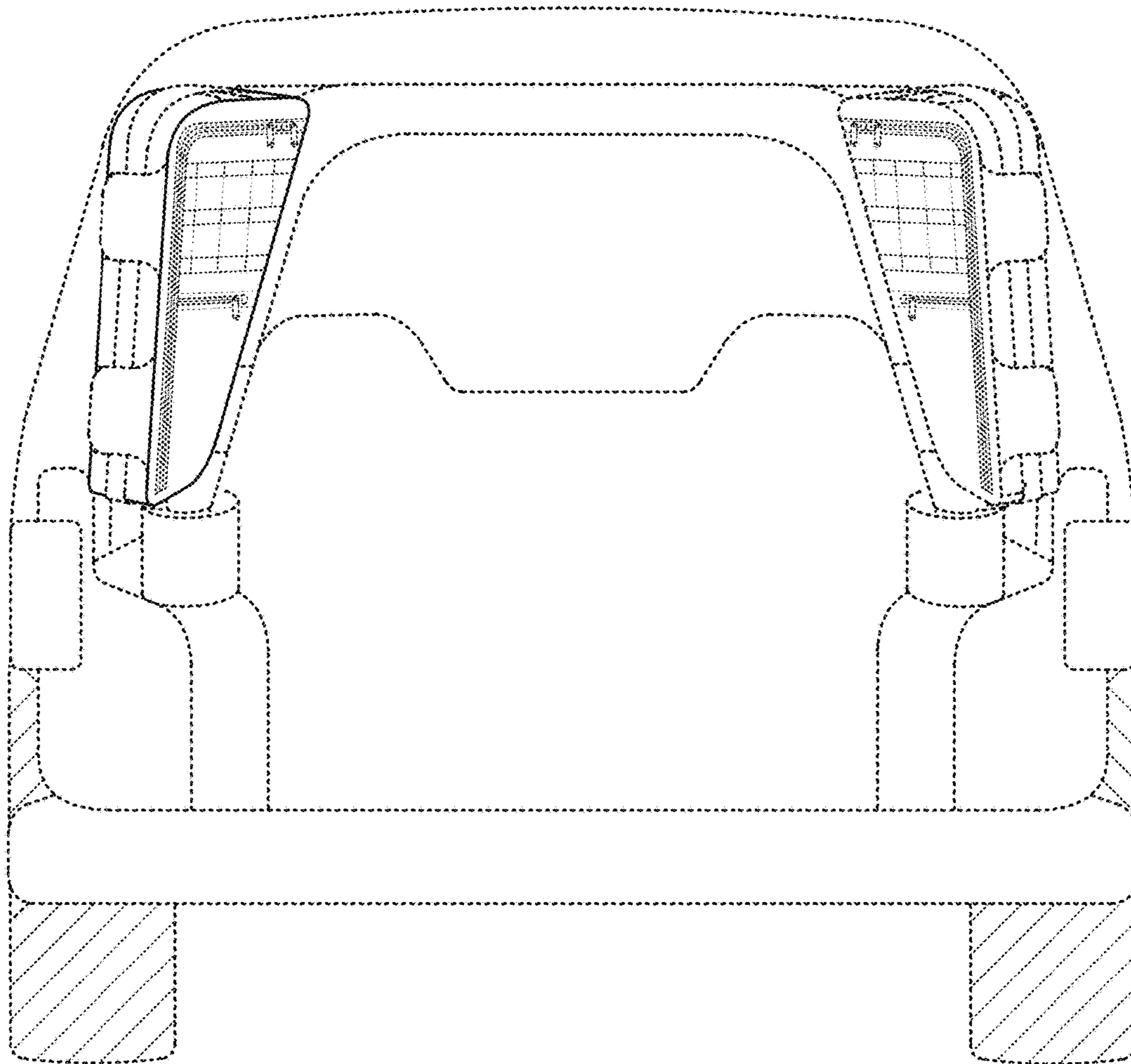


FIG. 8