



US00D877036S

(12) **United States Design Patent**
Bes

(10) **Patent No.:** **US D877,036 S**
(45) **Date of Patent:** **** Mar. 3, 2020**

(54) **SAILING BOAT**

(71) Applicant: **Victor Joseph Alphons Vos**, Haren (NL)

(72) Inventor: **Klaas Bes**, Haren (NL)

(73) Assignee: **Victor Joseph Alphons Vos**, Haren (NL)

(**) Term: **15 Years**

(21) Appl. No.: **29/657,490**

(22) Filed: **Jul. 23, 2018**

(30) **Foreign Application Priority Data**

Jan. 26, 2018 (EM) 4681708-0001

(51) **LOC (12) Cl.** **12-06**

(52) **U.S. Cl.**
USPC **D12/303**

(58) **Field of Classification Search**
USPC D12/300, 301, 303, 304, 317; D21/542, D21/544

CPC ... B63H 9/00; B63H 9/04; B63H 9/06; B63H 9/0607; B63H 9/0642; B63H 9/0657; B63H 9/0685; B63B 35/7973; B63B 35/7976; B63B 35/7983

See application file for complete search history.

(56) **References Cited**

U.S. PATENT DOCUMENTS

D224,167 S * 7/1972 Proctor D12/303
3,959,837 A * 6/1976 Archibald B63B 23/62
114/343

D251,836 S * 5/1979 Milne D12/303
D265,475 S * 7/1982 Pape D12/303
D270,827 S * 10/1983 Dorfman D12/300
D304,922 S * 12/1989 Kirby D12/303
5,347,946 A * 9/1994 Puckett B63H 9/0614
114/102.23
D416,851 S * 11/1999 Mitchell D12/300
D731,392 S * 6/2015 Bleie D12/300
D738,283 S * 9/2015 Metrot D12/300

* cited by examiner

Primary Examiner — Cynthia M. Chin

(74) *Attorney, Agent, or Firm* — Banner & Witcoff, Ltd.

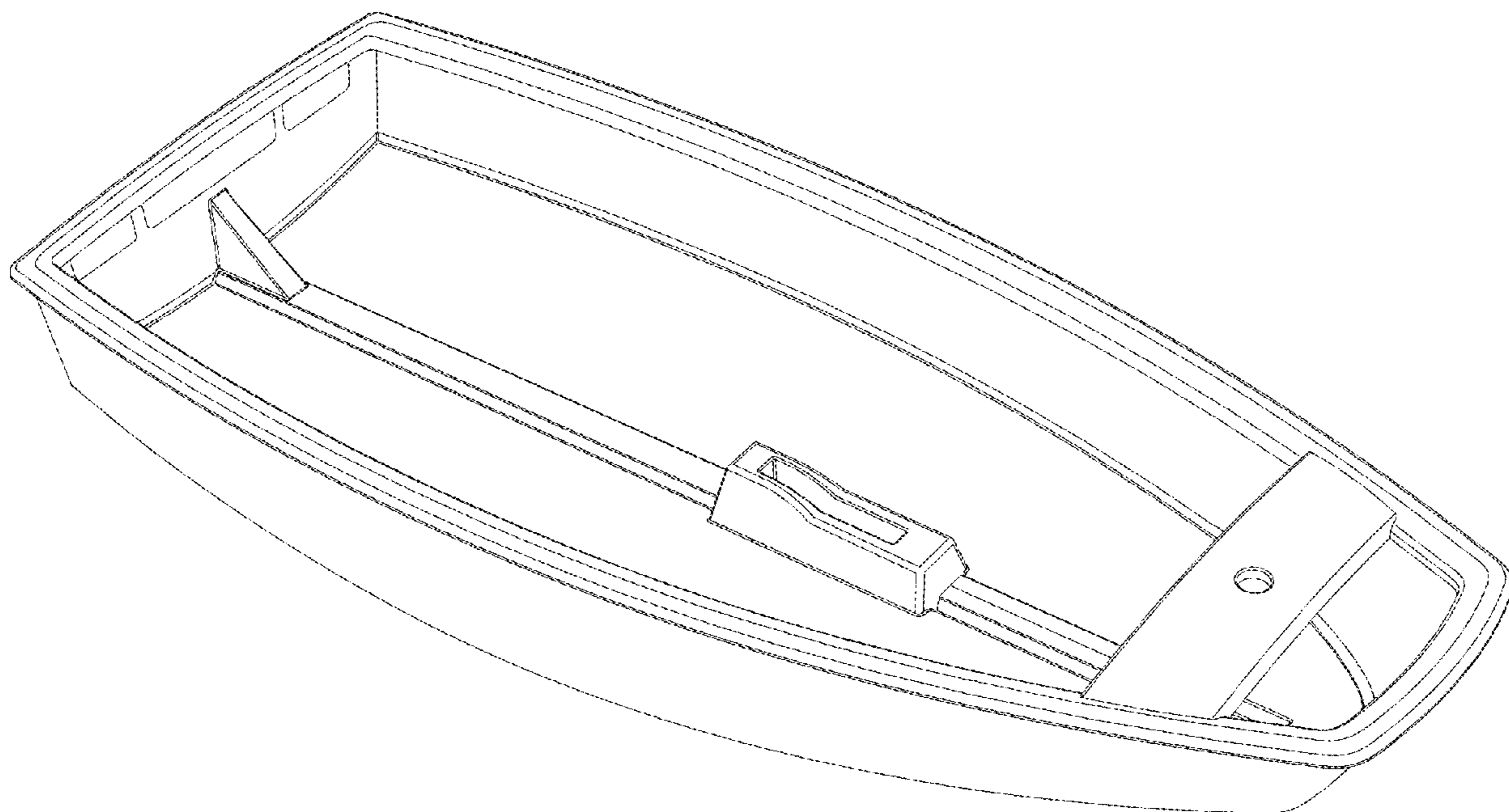
(57) **CLAIM**

The ornamental design for a sailing boat, as shown and described.

DESCRIPTION

FIG. 1 is a top, front perspective view of a sailing boat showing our new design;
FIG. 2 is a top view thereof;
FIG. 3 is a rear view thereof;
FIG. 4 is left side view thereof;
FIG. 5 is a cross sectional view taken through line 5-5 of FIG. 2;
FIG. 6 is a cross sectional view taken through line 6-6 of FIG. 2; and,
FIG. 7 is a bottom, rear perspective view thereof.

1 Claim, 7 Drawing Sheets



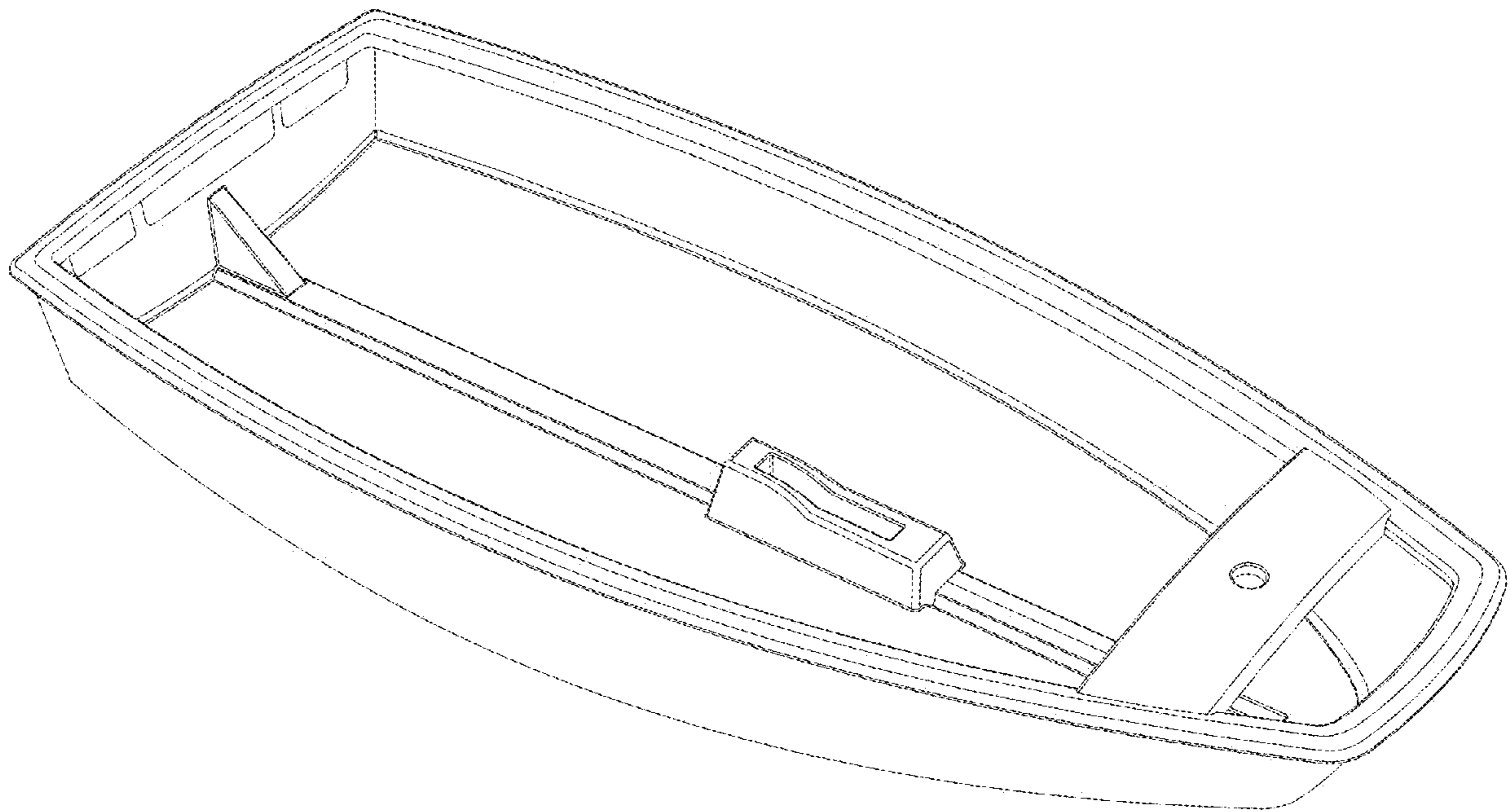


FIG. 1

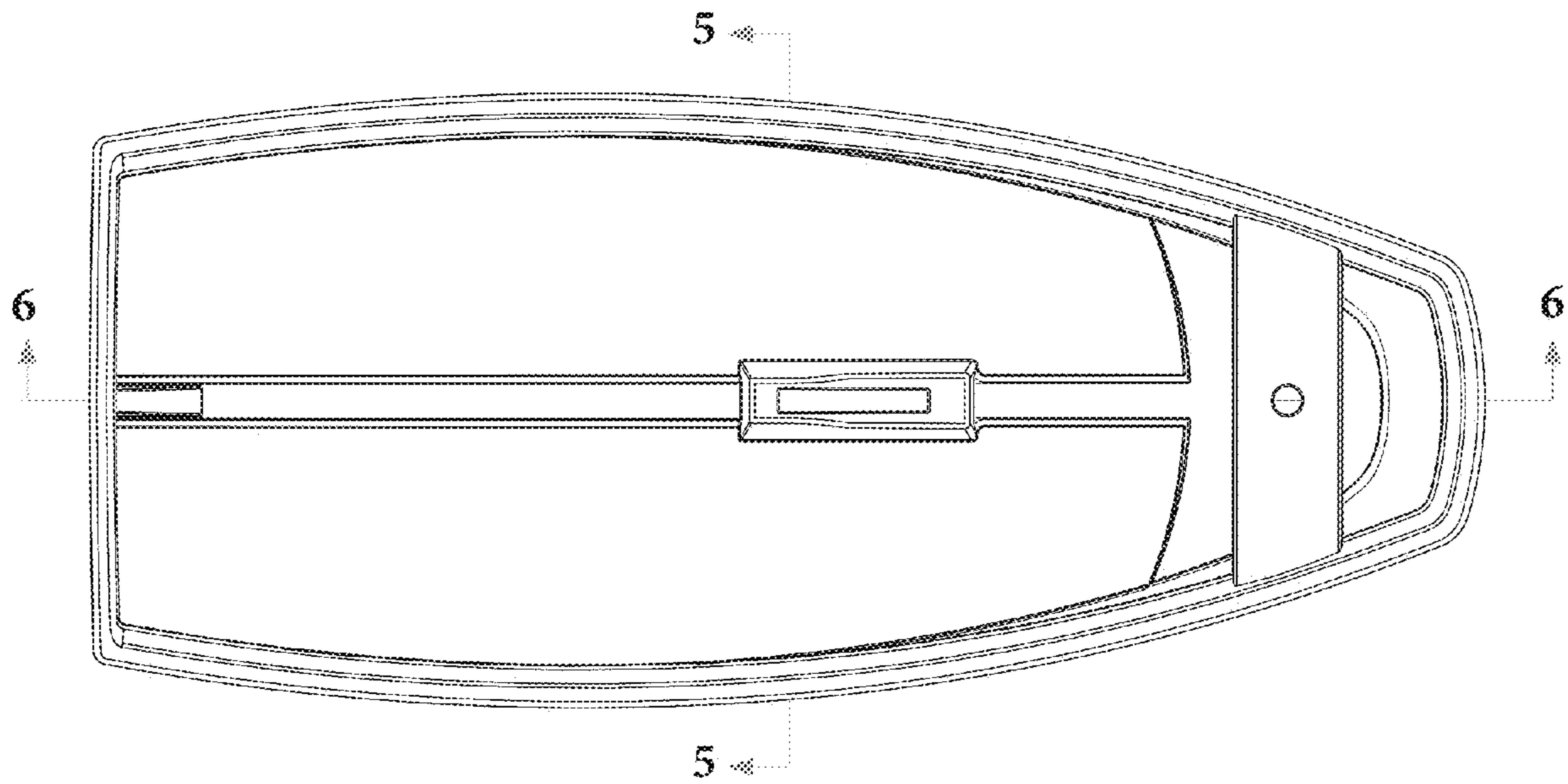


FIG. 2

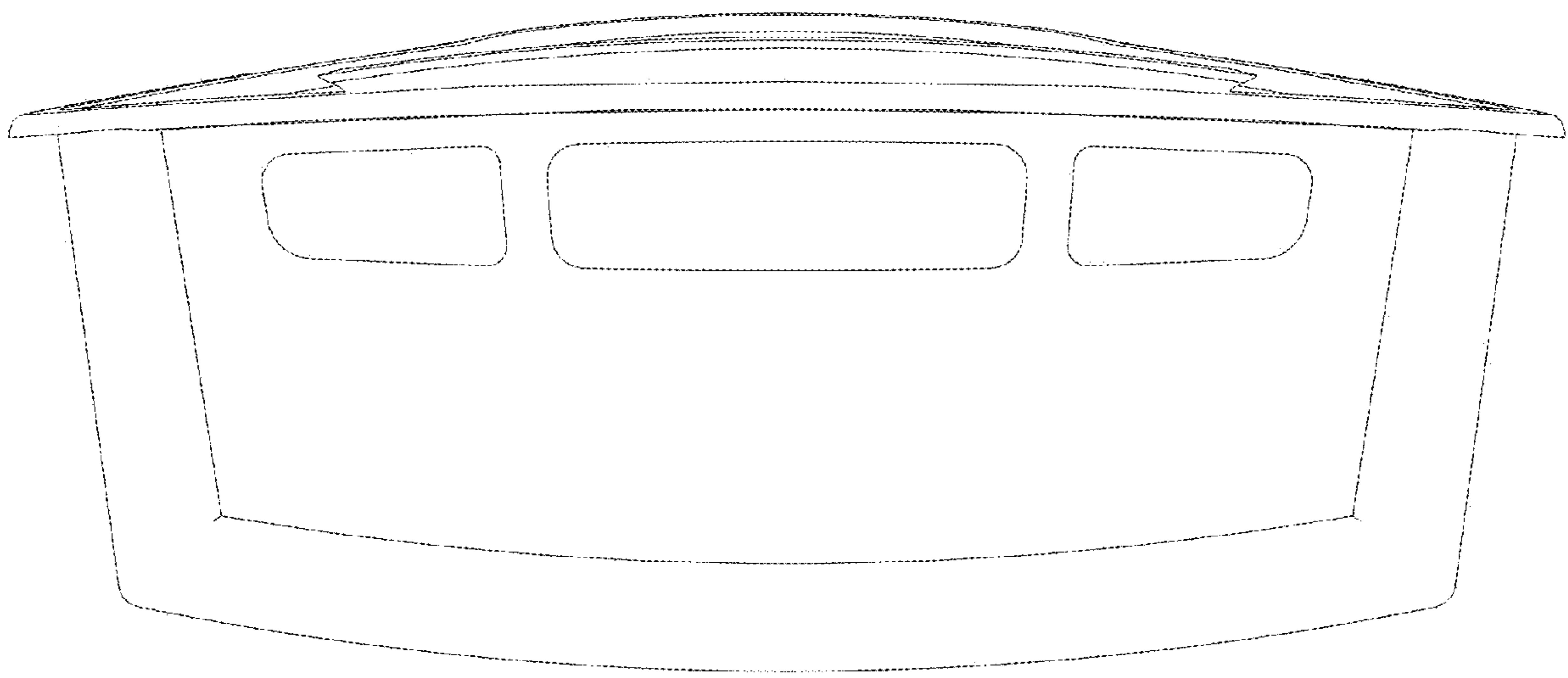


FIG. 3

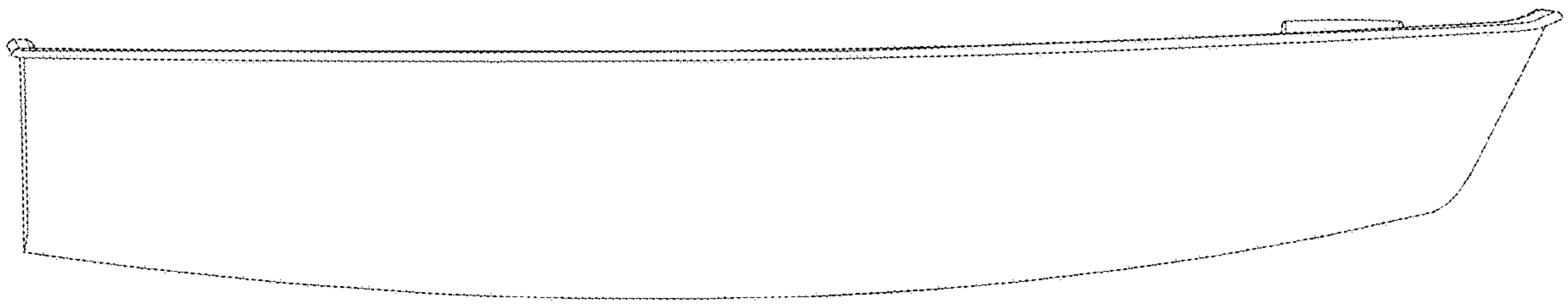


FIG. 4

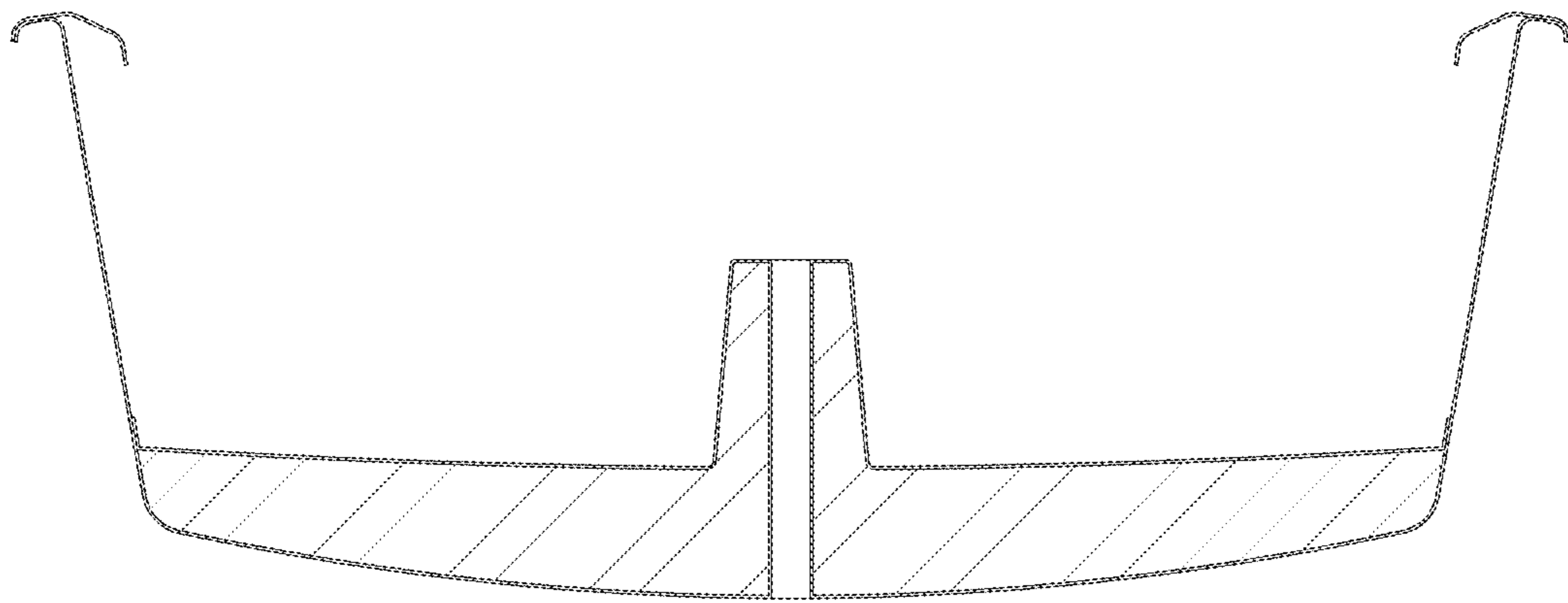


FIG. 5

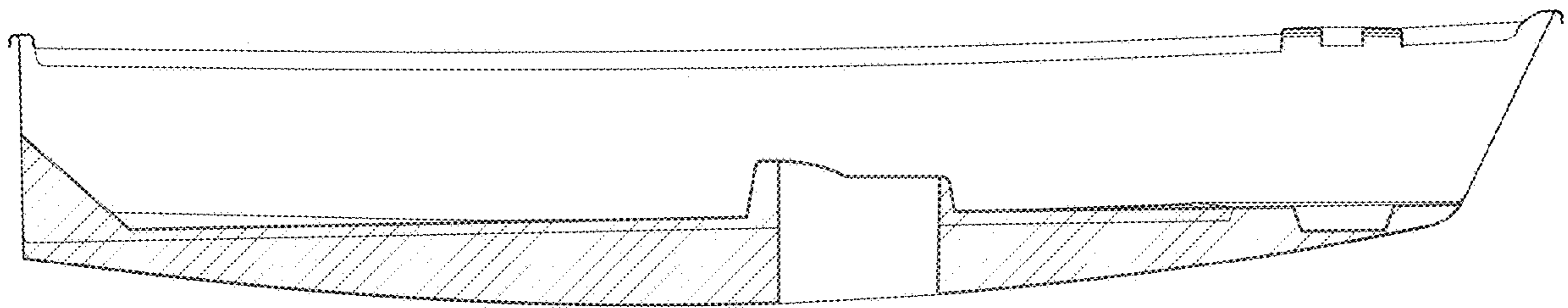


FIG. 6

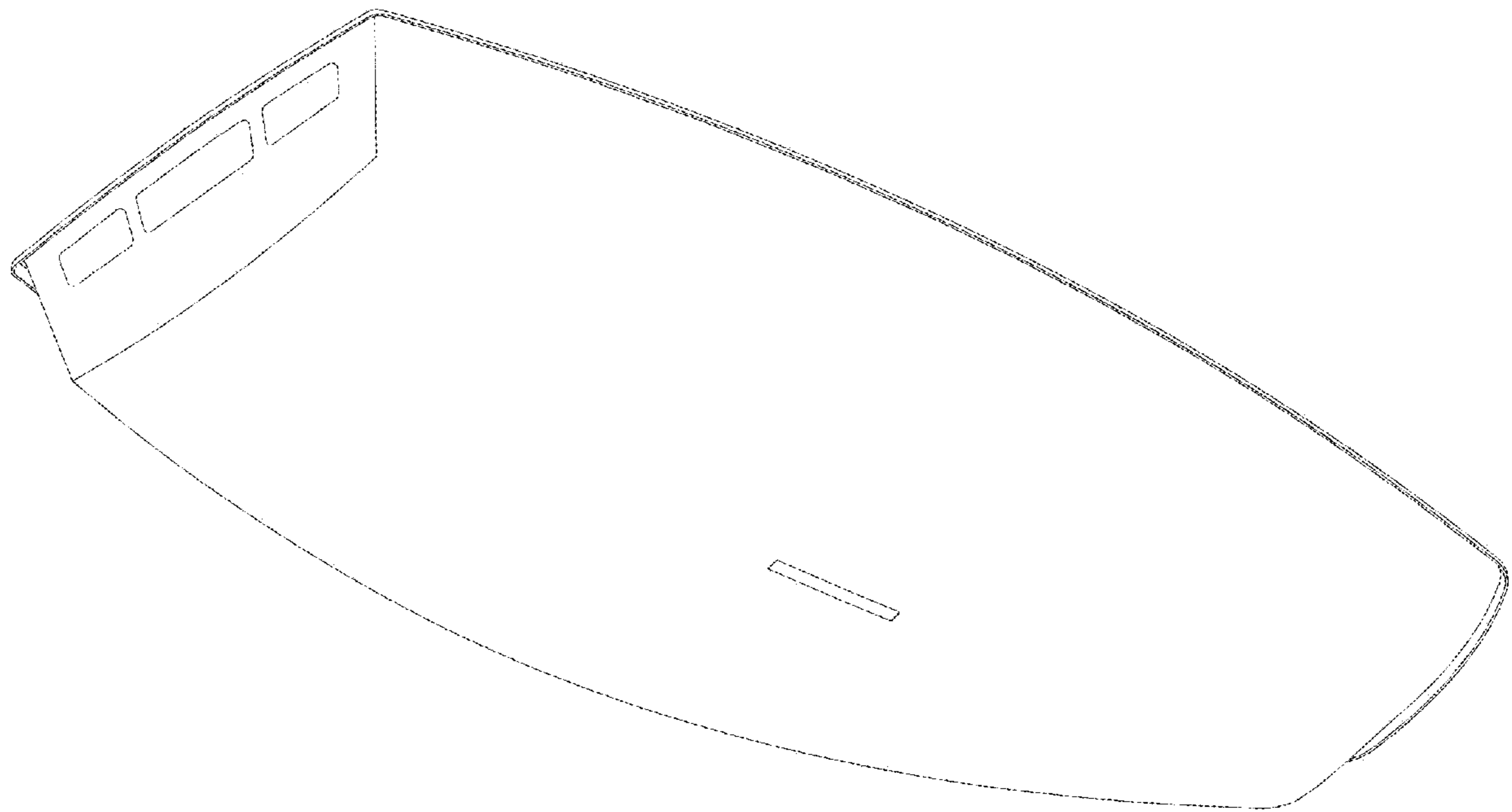


FIG. 7