

US00D877035S

(12) **United States Design Patent**
Park

(10) **Patent No.:** **US D877,035 S**

(45) **Date of Patent:** **** Mar. 3, 2020**

- (54) **WHEEL FOR MOTOR VEHICLE**
- (71) Applicant: **Dr. Ing. h.c. F. Porsche Aktiengesellschaft, Stuttgart (DE)**
- (72) Inventor: **Gilsung Park, Pforzheim (DE)**
- (73) Assignee: **Dr. Ing. h.c. F. Porsche Aktiengesellschaft (DE)**
- (**) Term: **15 Years**
- (21) Appl. No.: **29/706,109**
- (22) Filed: **Sep. 18, 2019**

Related U.S. Application Data

- (63) Continuation of application No. 29/621,332, filed on Oct. 6, 2017, now abandoned.

(30) **Foreign Application Priority Data**

Apr. 7, 2017 (DE) 40 2017 100 452

- (51) **LOC (12) Cl.** **12-16**

- (52) **U.S. Cl.**
USPC **D12/211**

- (58) **Field of Classification Search**
USPC D12/204-213; D21/533, 561, 563
CPC B60B 7/00; B60B 7/02; B60B 7/04; B60B 7/06; B60B 3/02; B60B 3/04; B60B 3/06; B60B 3/10; B60B 1/00; B60B 1/08; B60B 1/10; B60B 1/12
See application file for complete search history.

(56) **References Cited**

U.S. PATENT DOCUMENTS

- D513,728 S 1/2006 Yazawa
- D609,624 S 2/2010 Matsubara

- D614,114 S 4/2010 Kim
- D619,071 S 7/2010 Christensen
- D660,767 S 5/2012 Von Holzhausen
- D700,124 S 2/2014 Gallert
- D729,137 S 5/2015 Muntada Roura
- D734,233 S 7/2015 Wheel
- D764,999 S 8/2016 Song
- D774,438 S * 12/2016 Valencia Pollex D12/209
- D781,205 S 3/2017 O'Neill
- D782,384 S 3/2017 Oh
- D785,533 S 5/2017 Pires
- D785,537 S 5/2017 Valencia Pollex
- D803,754 S 11/2017 Chung
- D826,820 S * 8/2018 Bucher D12/209
- D843,916 S * 3/2019 Wheel D12/211
- D848,342 S * 5/2019 Chan D12/209
- D850,351 S * 6/2019 Wheel D12/211
- D862,346 S * 10/2019 Woodhouse D12/209

* cited by examiner

Primary Examiner — Sheryl Lane

Assistant Examiner — Calvin E Vansant

(74) *Attorney, Agent, or Firm* — RatnerPrestia

(57) **CLAIM**

The ornamental design for a wheel for motor vehicle, as shown and described.

DESCRIPTION

FIG. 1 is a front perspective view of a wheel for motor vehicle;
 FIG. 2 is a front elevation view thereof; and,
 FIG. 3 is a top plan view thereof.
 The broken line showing of the wheel for motor vehicle is for the purpose of illustrating portions of the wheel for motor vehicle and forms no part of the claimed design.

1 Claim, 2 Drawing Sheets

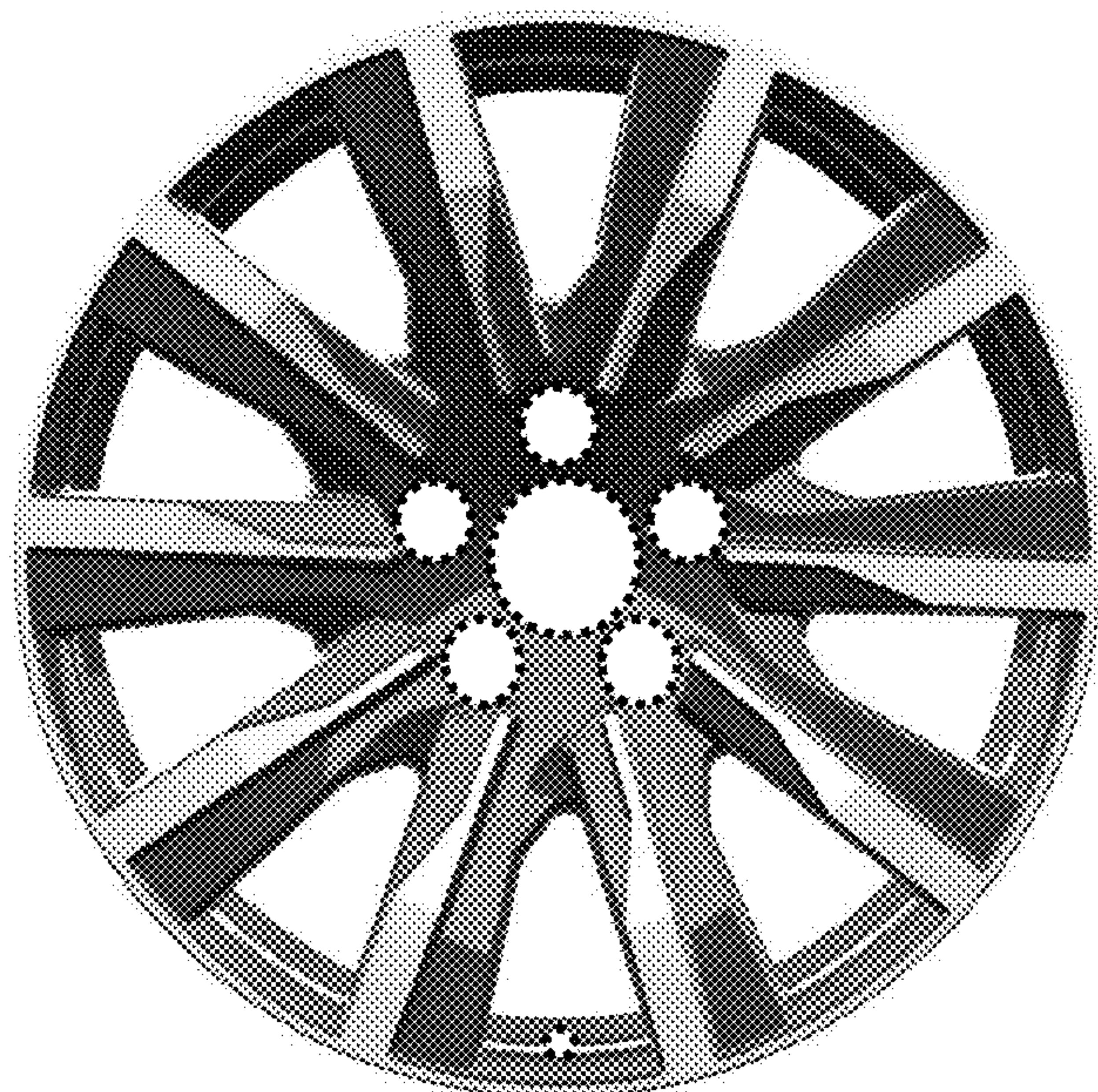




FIG. 1

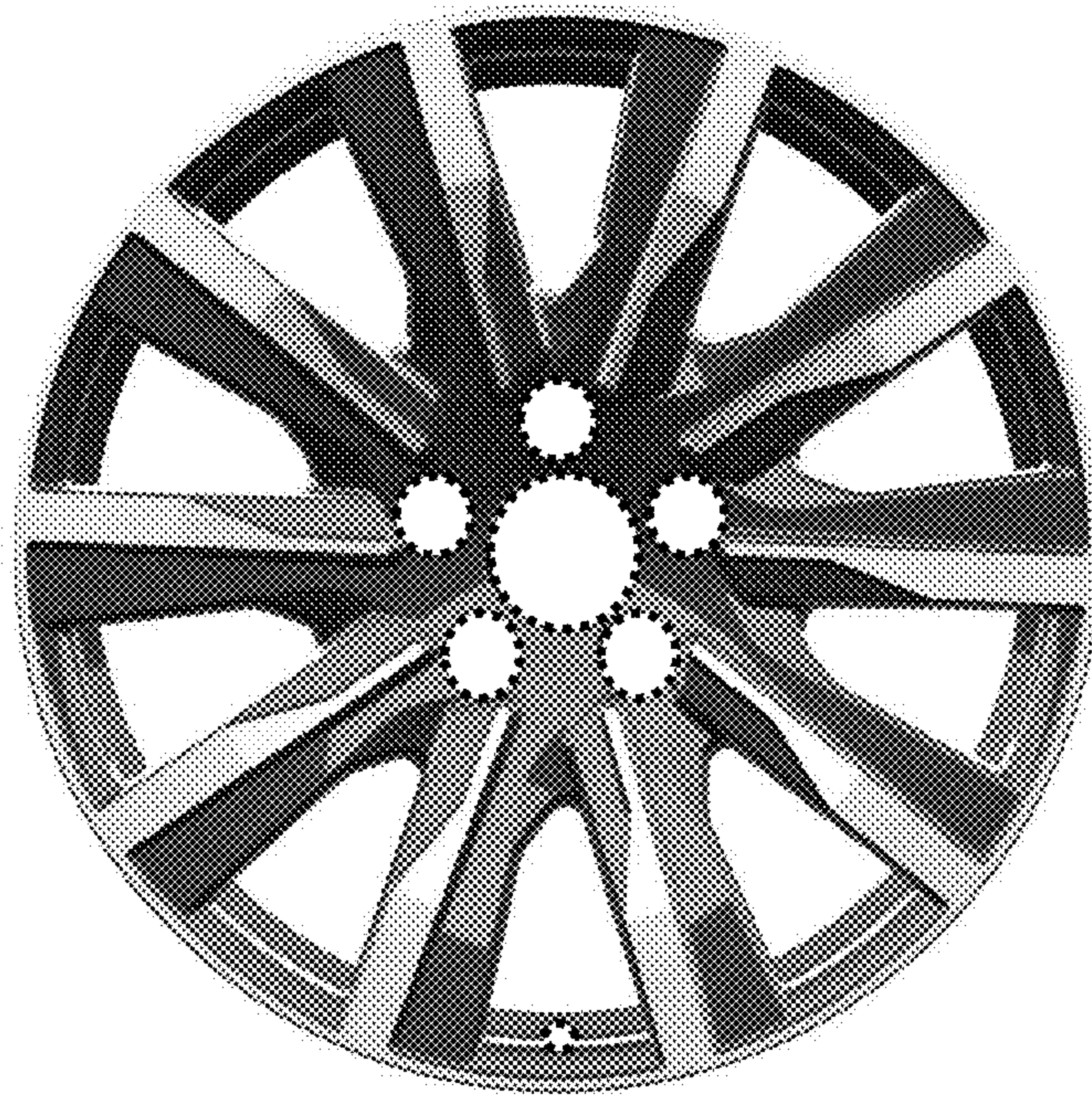


FIG. 2

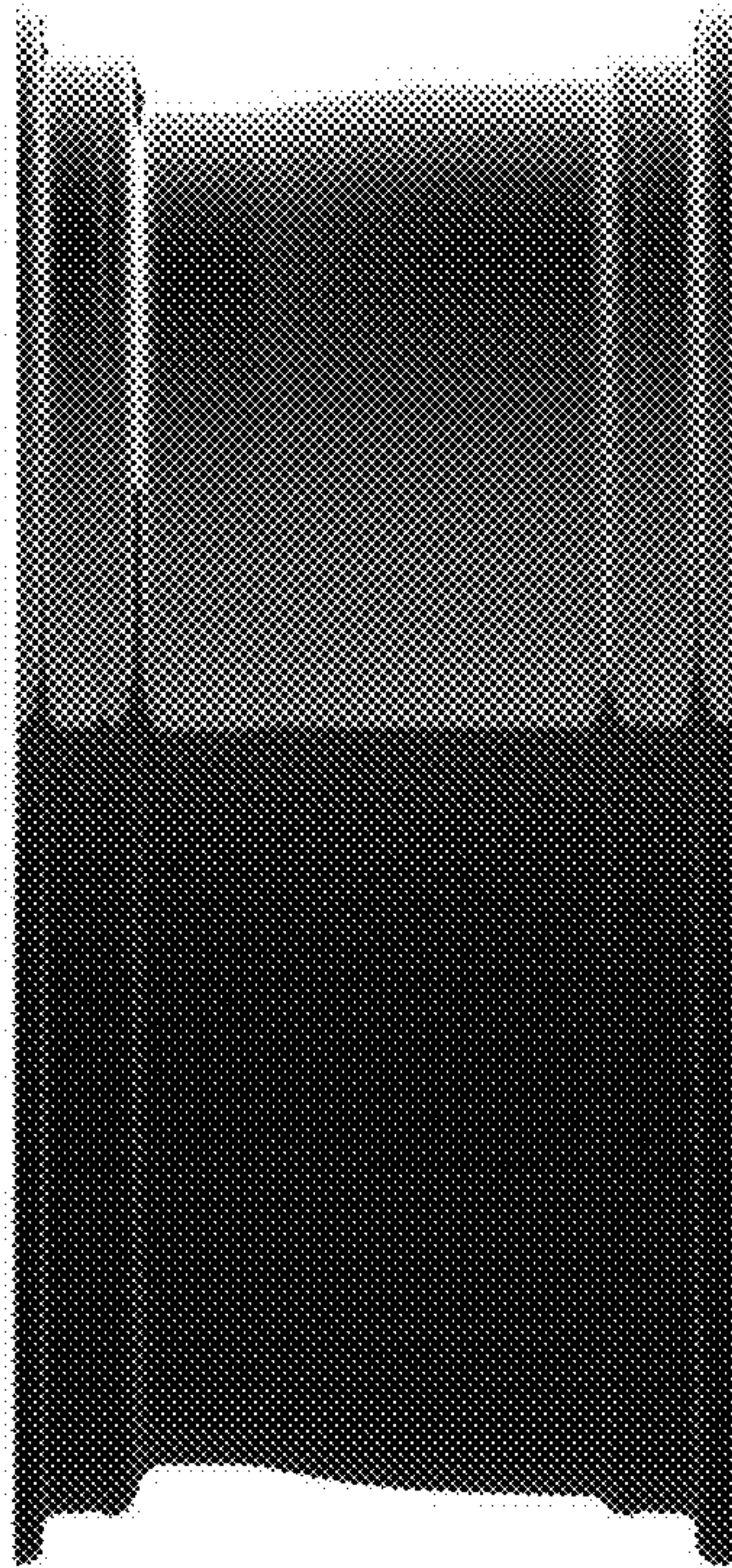


FIG. 3