



US00D877031S

(12) **United States Design Patent**
Chung

(10) **Patent No.:** **US D877,031 S**

(45) **Date of Patent:** **** Mar. 3, 2020**

(54) **AUTOMOTIVE WHEEL**

(71) Applicant: **Design Infini, Inc.**, Corona, CA (US)

(72) Inventor: **Suny Chung**, Anaheim, CA (US)

(73) Assignee: **Design Infini, Inc.**, Corona, CA (US)

(**) Term: **15 Years**

(21) Appl. No.: **29/596,996**

(22) Filed: **Mar. 13, 2017**

Related U.S. Application Data

(63) Continuation of application No. 29/516,046, filed on Jan. 29, 2015, now Pat. No. Des. 781,203.

(51) **LOC (12) Cl.** **12-16**

(52) **U.S. Cl.**
USPC **D12/211**

(58) **Field of Classification Search**
USPC D12/204–213
CPC B60B 1/00–1/12; B60B 3/02–3/10
See application file for complete search history.

(56) **References Cited**

U.S. PATENT DOCUMENTS

D367,031 S	2/1996	Hubbach
D401,205 S	11/1998	Fischer
D444,118 S	6/2001	Chung
D449,267 S	10/2001	Fitzgerald
D452,838 S	1/2002	Hieke
D458,886 S	6/2002	Bhambra
D460,036 S	7/2002	Yajima
D460,941 S	7/2002	Muzzarelli
D480,673 S	10/2003	Bhambra et al.
D483,313 S	12/2003	Lenz
D485,523 S	1/2004	Takechi
D486,112 S	2/2004	Lecher
D487,419 S	3/2004	Kim
D491,866 S	6/2004	Warming

D495,985 S	9/2004	Lai	
D497,339 S	10/2004	Heinrich	
D503,916 S	4/2005	Clarke	
D505,373 S	5/2005	Pfeiffer	
D515,996 S	2/2006	Baumgartner	
D519,902 S	5/2006	Pfeiffer	
D528,060 S	9/2006	Laengerer	
D530,657 S	10/2006	Pfeiffer	
D534,851 S	1/2007	Kim	
D535,240 S	1/2007	Chang	
D538,728 S	3/2007	Pfeiffer	
D539,205 S	3/2007	Hosoi	
D540,733 S	4/2007	Castiglione	
D550,599 S	9/2007	Celik	
D603,778 S	11/2009	Chung	
D613,662 S *	4/2010	Cortes	D12/211
D638,762 S	5/2011	Hilpert	
D638,767 S	5/2011	Groom	
D639,220 S	6/2011	Zhao	

(Continued)

OTHER PUBLICATIONS

Sema Preview, ATD 2012 Wheel Lineup, 2012, pp. 6, 10, American Tire Distributors, published Nov. 2011.

Primary Examiner — Stacia A Cadmus

(74) *Attorney, Agent, or Firm* — Knobbe, Martens, Olson & Bear, LLP

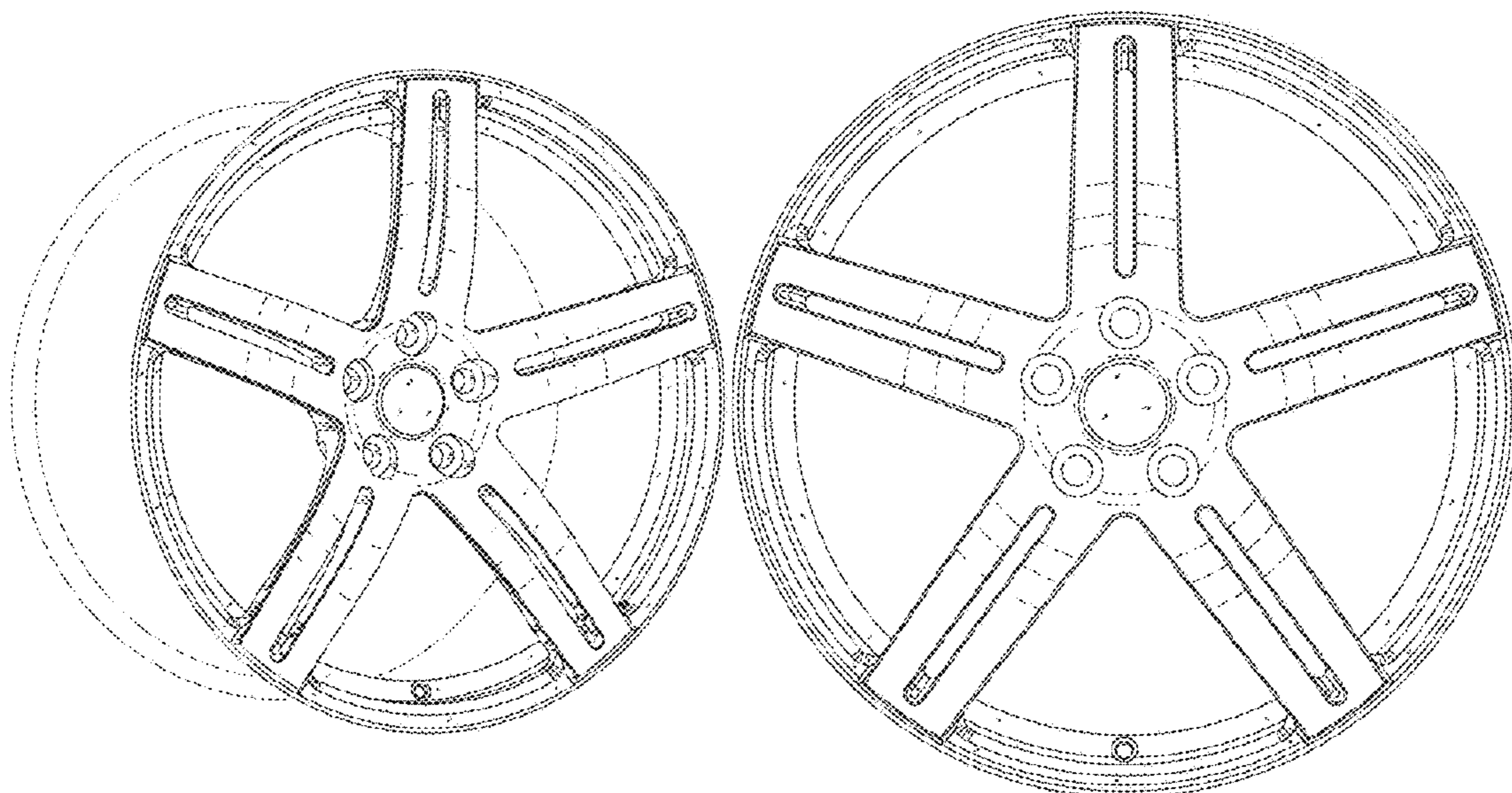
(57) **CLAIM**

I claim the ornamental design for an automotive wheel, as shown and described.

DESCRIPTION

FIG. 1 is perspective view of a new design for an automotive wheel, according to one embodiment; and, FIG. 2 is a front view thereof. The broken lines in the drawings are included for the purpose of illustration and form no part of the claimed design.

1 Claim, 2 Drawing Sheets



(56)

References Cited

U.S. PATENT DOCUMENTS

D641,302 S	7/2011	Ettensberger	
D644,154 S *	8/2011	Antoniadis	D12/209
D671,061 S	11/2012	Dilber	
D675,972 S	2/2013	Lee	
D682,765 S	5/2013	Alfonso	
D703,601 S	4/2014	Chung	
D713,311 S	9/2014	Yoon	
D722,545 S	2/2015	Chung	
D725,020 S	3/2015	Kim	
D735,103 S	7/2015	Lemke	
D741,241 S *	10/2015	Hale, Jr.	D12/211
D741,243 S	10/2015	Zhao	
D742,799 S	11/2015	Zhao	
D749,030 S *	2/2016	Zhao	D12/211
D751,482 S	3/2016	Caswell et al.	
D753,041 S	4/2016	Kim	
D758,278 S	6/2016	Behmer	
D760,635 S	7/2016	Bildhaeuser	
D762,542 S	8/2016	Chinavare	
D764,373 S *	8/2016	Valencia Pollex	D12/211
D781,203 S *	3/2017	Chung	D12/211
D797,028 S *	9/2017	Chung	D12/211
D801,254 S *	10/2017	Chung	D12/211
D821,285 S *	6/2018	Zhao	D12/211
D840,310 S *	2/2019	Zhao	D12/209

* cited by examiner

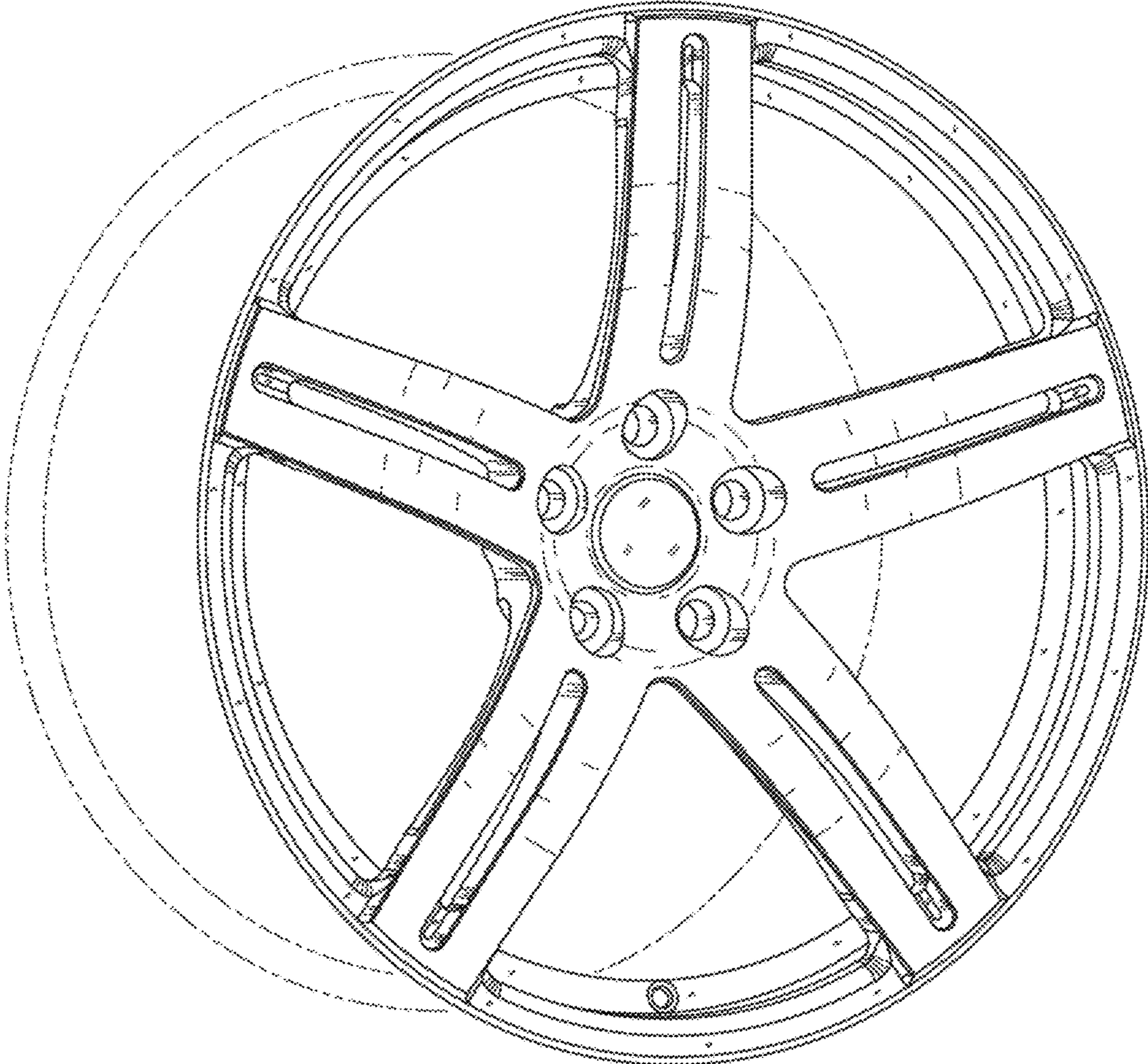


FIGURE 1

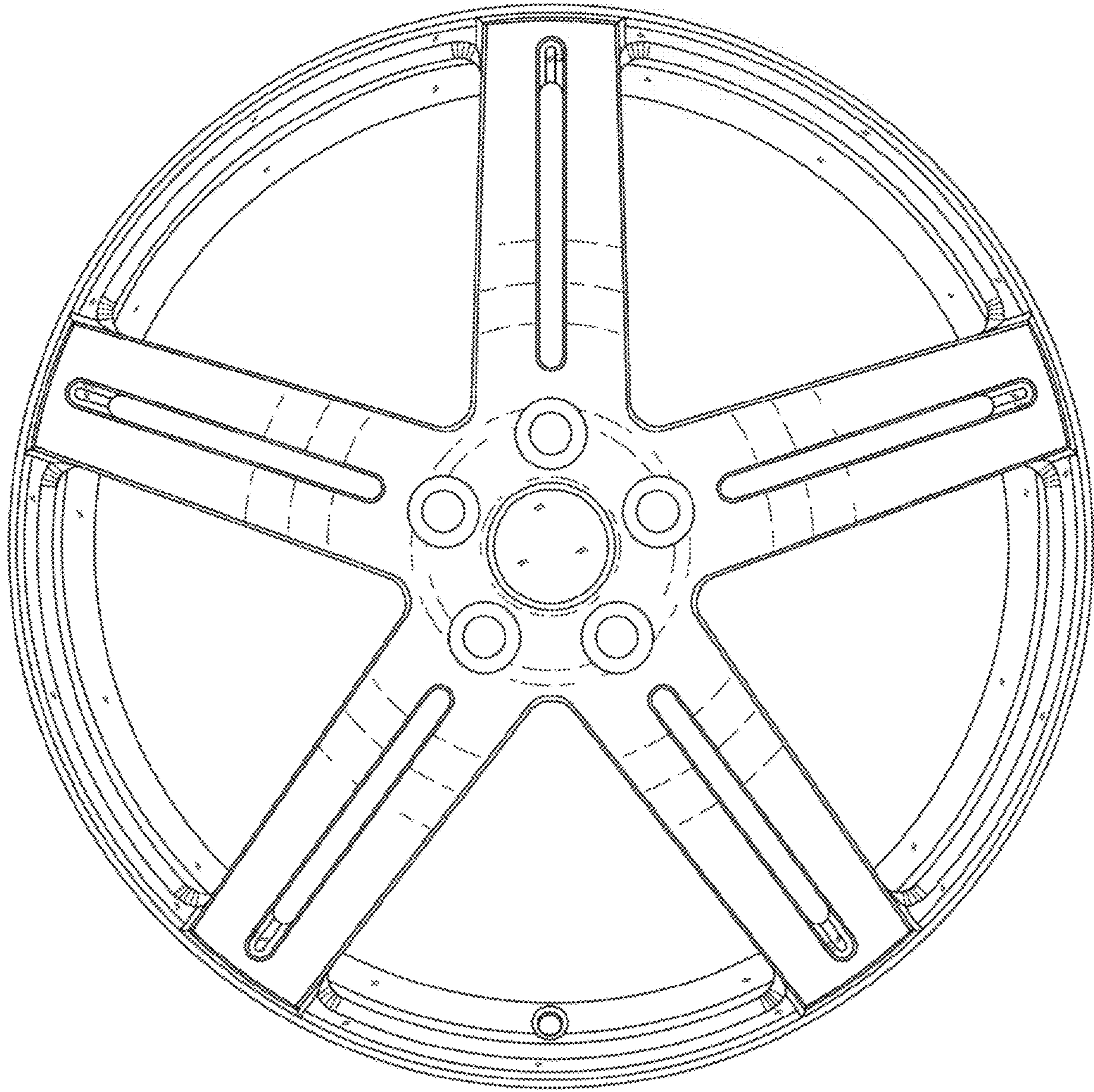


FIGURE 2