



US00D877029S

(12) **United States Design Patent**
Grewer

(10) **Patent No.:** **US D877,029 S**

(45) **Date of Patent:** **** Mar. 3, 2020**

(54) **WHEEL**

(71) Applicant: **Jaguar Land Rover Limited**, Whitley, Coventry (GB)

(72) Inventor: **Dale Grewer**, Whitley, Coventry (GB)

(73) Assignee: **Jaguar Land Rover Limited**, Whitley, Coventry (GB)

(**) Term: **15 Years**

(21) Appl. No.: **29/683,412**

(22) Filed: **Mar. 13, 2019**

Related U.S. Application Data

(62) Division of application No. 29/638,019, filed on Feb. 23, 2018, now Pat. No. Des. 847,070.

(30) **Foreign Application Priority Data**

Sep. 6, 2017 (EM) 004244275

(51) **LOC (12) Cl.** **12-16**

(52) **U.S. Cl.**
USPC **D12/209**

(58) **Field of Classification Search**

USPC D12/204-213
CPC B60B 7/00; B60B 7/02; B60B 7/04; B60B 7/01; B60B 7/06; B60B 3/02; B60B 3/04; B60B 3/06; B60B 3/10; B60B 1/00; B60B 1/08; B60B 1/10; B60B 1/12

See application file for complete search history.

(56) **References Cited**

U.S. PATENT DOCUMENTS

D371,761 S *	7/1996	Abbott	D12/209
D535,603 S *	1/2007	Guevara	D12/209
D612,787 S *	3/2010	Juergens	D12/209
D658,107 S *	4/2012	Pollmann	D12/211
D671,480 S *	11/2012	Cepkova	D12/209
D671,481 S *	11/2012	Amezketta	D12/211
D673,493 S *	1/2013	Lemke	D12/209
D697,009 S *	1/2014	Pollmann	D12/209
D740,194 S *	10/2015	Valencia Pollex	D12/209
D740,195 S *	10/2015	Perini	D12/209
D788,004 S *	5/2017	Mielke	D12/209
D830,936 S *	10/2018	Wheel	D12/209
D847,070 S *	4/2019	Grewer	D12/209
D851,007 S *	6/2019	Widua	D12/209
D856,896 S *	8/2019	Rosello Visa	D12/209

* cited by examiner

Primary Examiner — Stacia A Cadmus

(74) *Attorney, Agent, or Firm* — Wood Herron & Evans LLP

(57) **CLAIM**

The ornamental design for a wheel, as shown and described.

DESCRIPTION

FIG. 1 is a front left perspective view of a wheel according to the present invention.

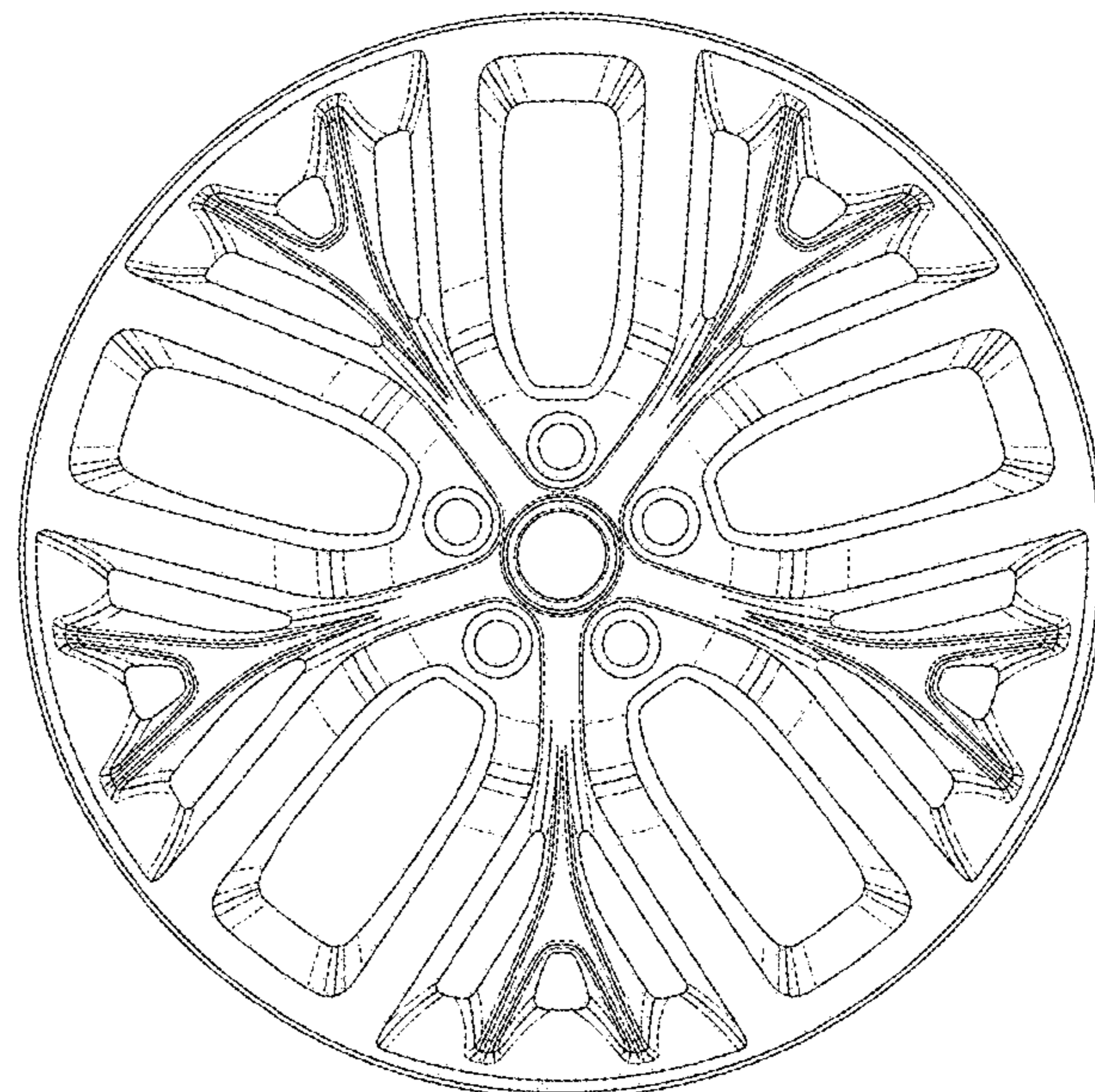
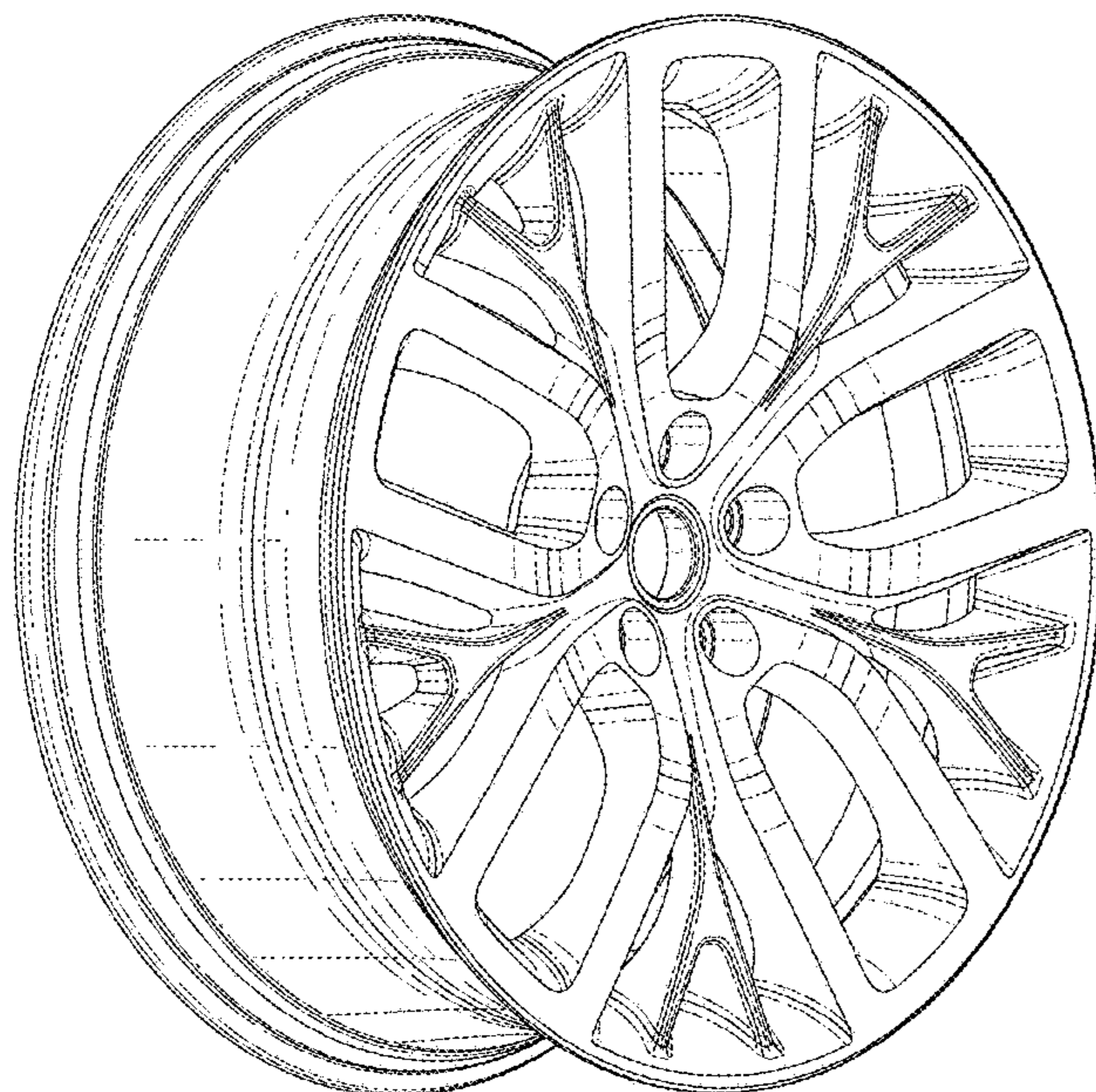
FIG. 2 is a rear left perspective view of the wheel shown in FIG. 1.

FIG. 3 is a front view thereof.

FIG. 4 is a rear view thereof; and,

FIG. 5 is a left side view thereof, the right side view being a mirror image thereof.

1 Claim, 5 Drawing Sheets



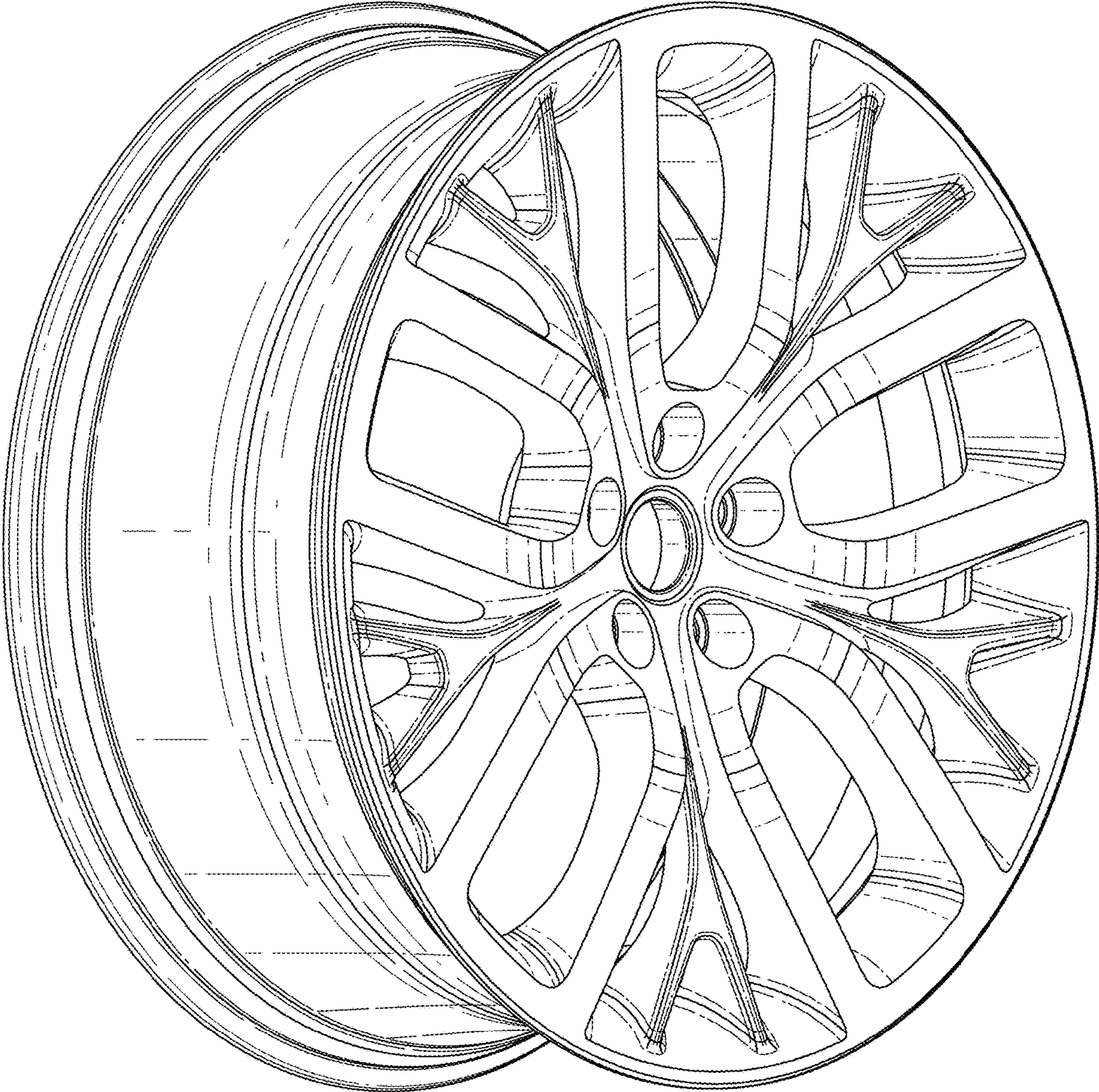


FIG. 1

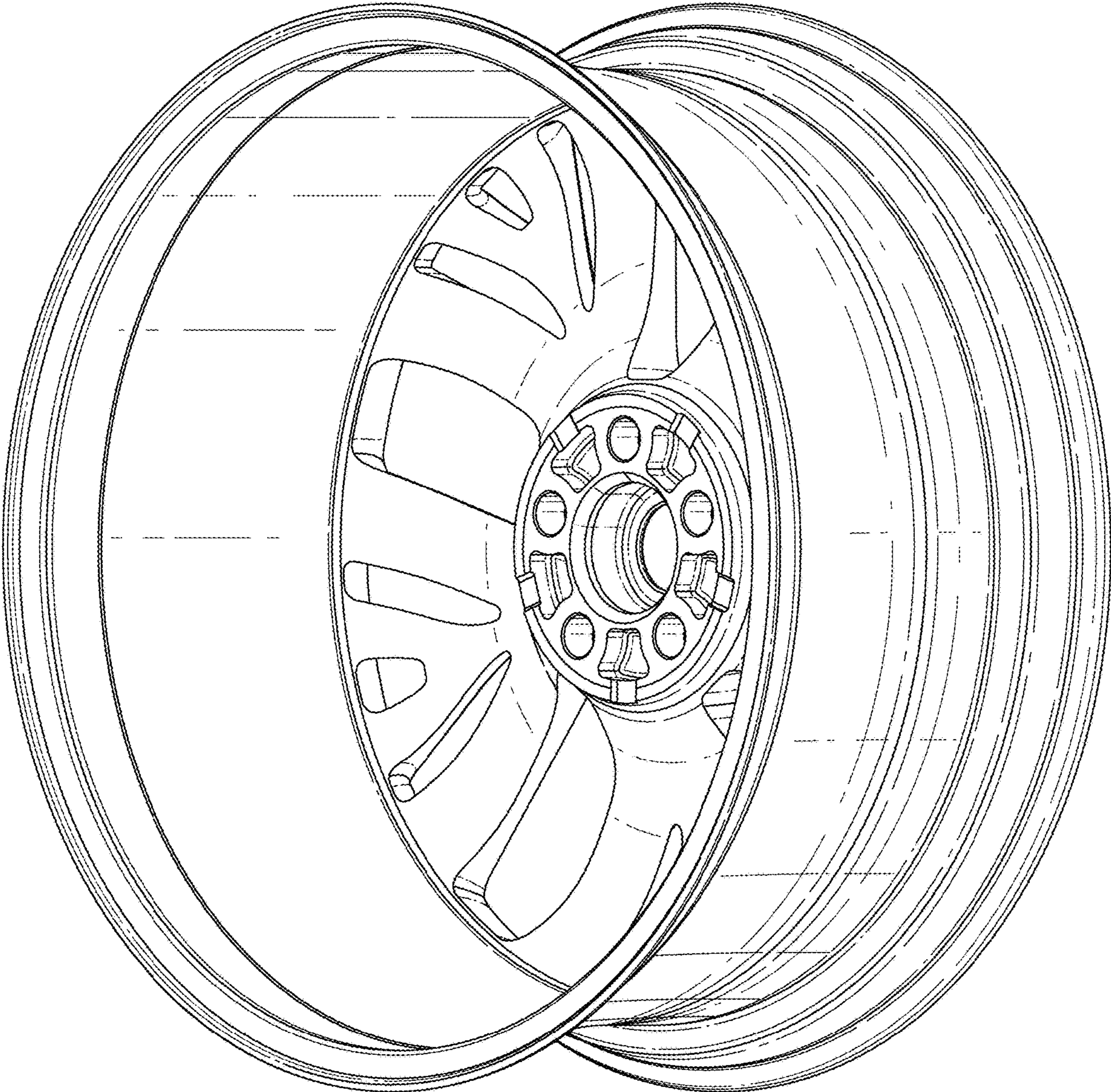


FIG. 2

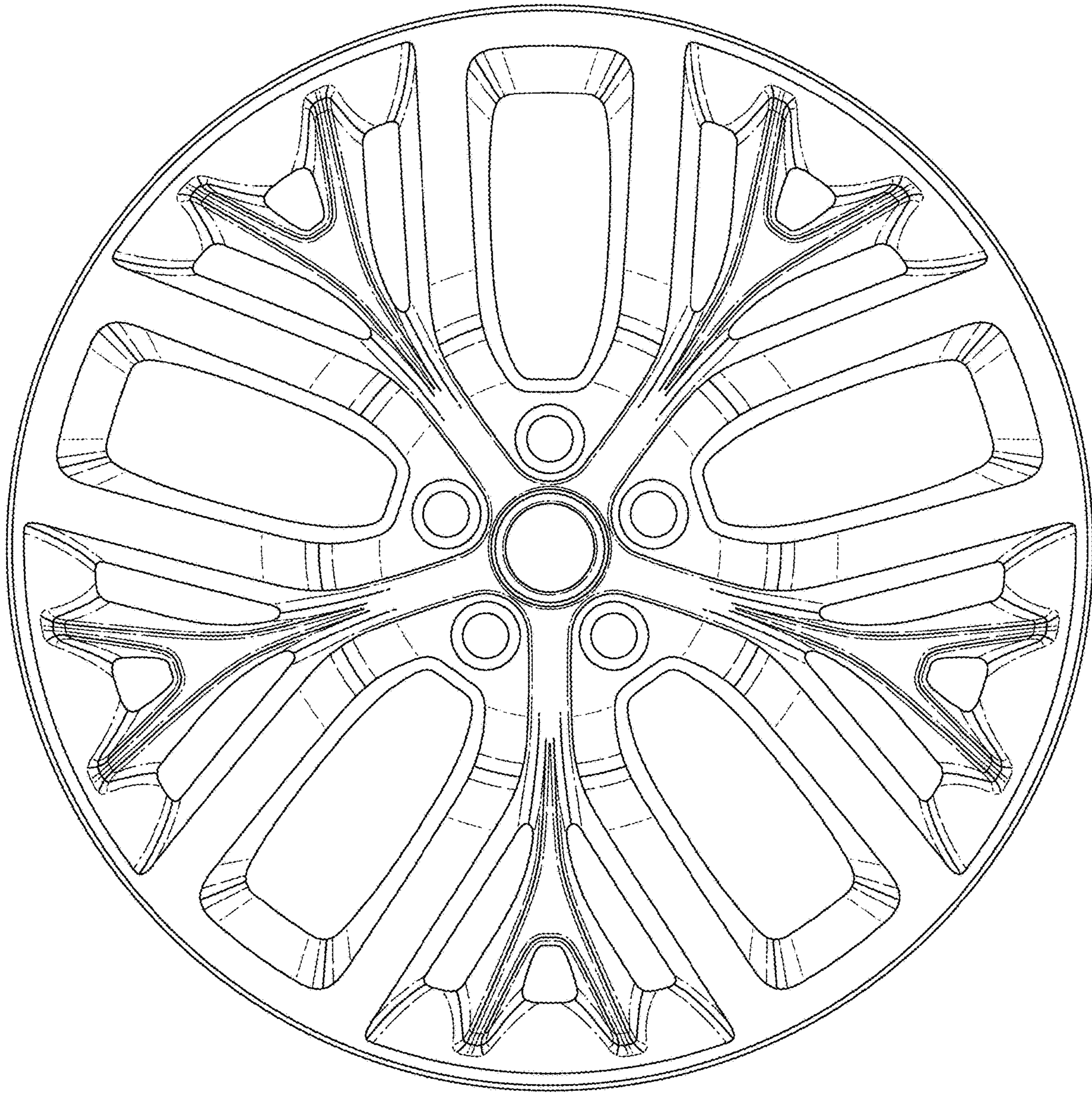


FIG. 3

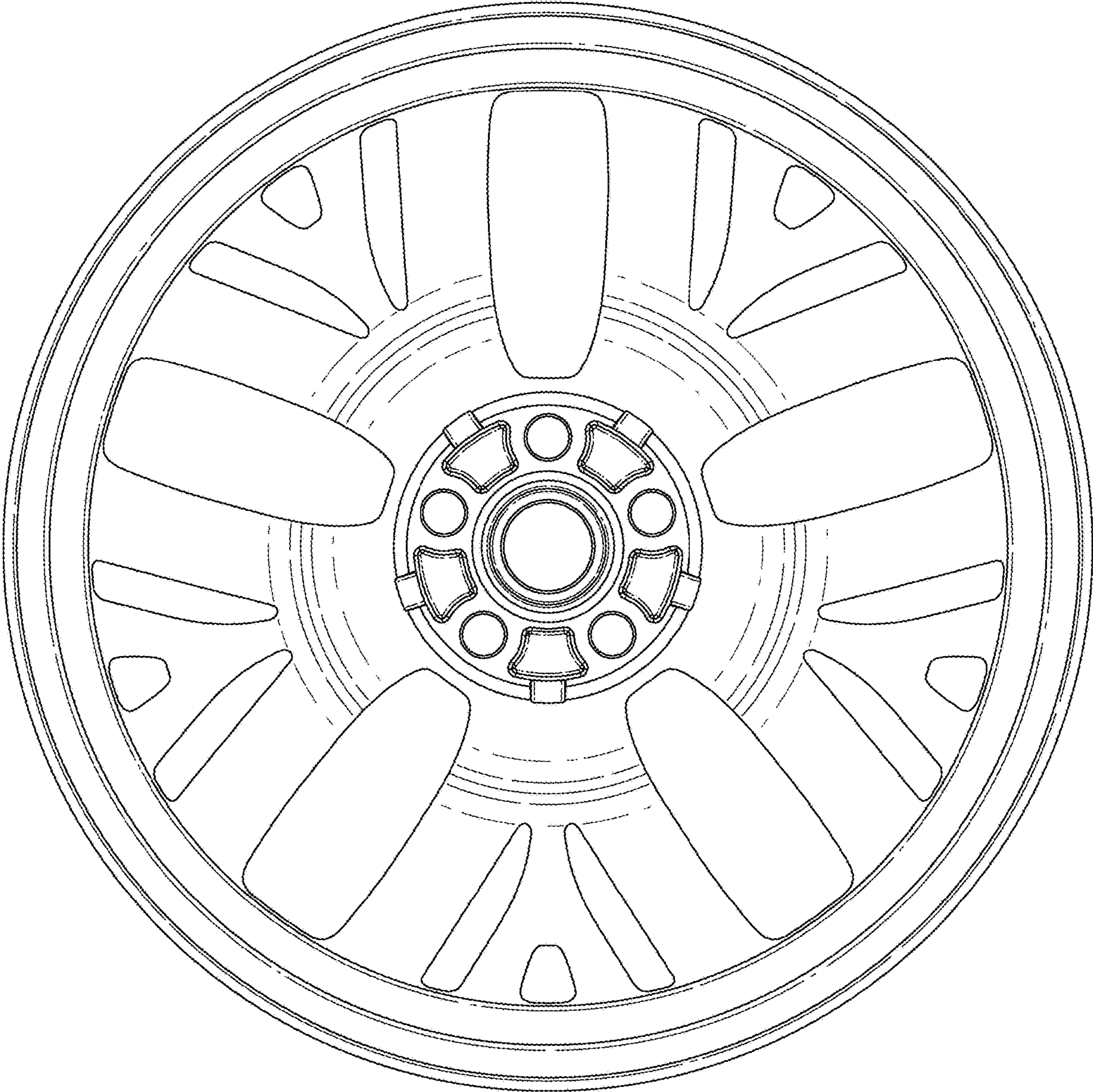


FIG. 4

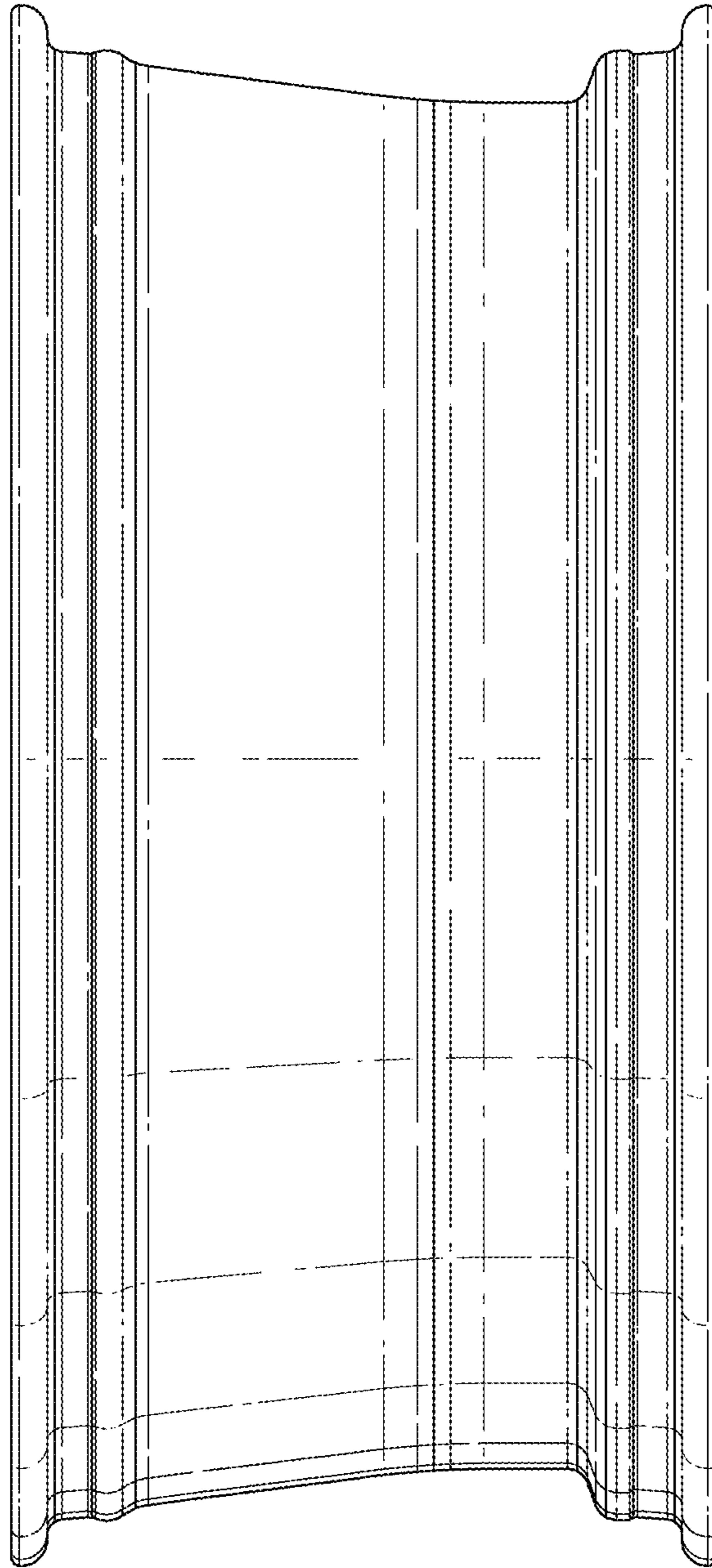


FIG. 5