



US00D877027S

(12) **United States Design Patent**  
**Hamilton**

(10) **Patent No.:** **US D877,027 S**

(45) **Date of Patent:** **\*\* Mar. 3, 2020**

(54) **WHEEL**

(71) Applicant: **Arkon Wheels, LLC**, Saint Charles, IL (US)

(72) Inventor: **Stephen Hamilton**, St. Charles, IL (US)

(73) Assignee: **Arkon Wheels, LLC**, St. Charles, IL (US)

(\*\*) Term: **15 Years**

(21) Appl. No.: **29/672,865**

(22) Filed: **Dec. 10, 2018**

(51) **LOC (12) Cl.** ..... **12-16**

(52) **U.S. Cl.**  
USPC ..... **D12/209**

(58) **Field of Classification Search**  
USPC ..... D12/204–213  
CPC .... B60B 7/00; B60B 7/02; B60B 7/04; B60B 7/01; B60B 7/06; B60B 3/02; B60B 3/04; B60B 3/06; B60B 3/10; B60B 1/00; B60B 1/08; B60B 1/10; B60B 1/12  
See application file for complete search history.

(56) **References Cited**

**U.S. PATENT DOCUMENTS**

D396,441 S *	7/1998	Nishida	.....	D12/209
D593,476 S *	6/2009	Juergens	.....	D12/211
D620,419 S *	7/2010	Lamm	.....	D12/209
D655,662 S *	3/2012	Stucki	.....	D12/211
D680,484 S *	4/2013	Zhao	.....	D12/209

D681,531 S *	5/2013	Fetherston	.....	D12/209
D684,913 S *	6/2013	Chen	.....	D12/209
D706,693 S *	6/2014	Stolz	.....	D12/209
D745,841 S *	12/2015	Ferrett	.....	D12/209
D766,802 S *	9/2016	Vartola	.....	D12/209
D774,438 S *	12/2016	Valencia Pollex	.....	D12/209
D788,671 S *	6/2017	Vartola	.....	D12/209
D795,777 S *	8/2017	Valencia Pollex	.....	D12/211
D826,821 S *	8/2018	Woodhouse	.....	D12/209
D827,542 S *	9/2018	Woodhouse	.....	D12/209
D827,543 S *	9/2018	Woodhouse	.....	D12/209
D833,951 S *	11/2018	Wheel	.....	D12/211
D837,121 S *	1/2019	Battams	.....	D12/209
D843,913 S *	3/2019	Ash	.....	D12/209
D846,474 S *	4/2019	Lucas	.....	D12/209
D846,476 S *	4/2019	Lucas	.....	D12/209
D850,351 S *	6/2019	Wheel	.....	D12/211
D853,930 S *	7/2019	Woodhouse	.....	D12/209
D855,534 S *	8/2019	Gregory	.....	D12/209
D860,093 S *	9/2019	Milani	.....	D12/209
D862,350 S *	10/2019	Woodhouse	.....	D12/209
D862,355 S *	10/2019	Battams	.....	D12/209

\* cited by examiner

*Primary Examiner* — Stacia A Cadmus

(74) *Attorney, Agent, or Firm* — Cotman IP Law Group

(57) **CLAIM**

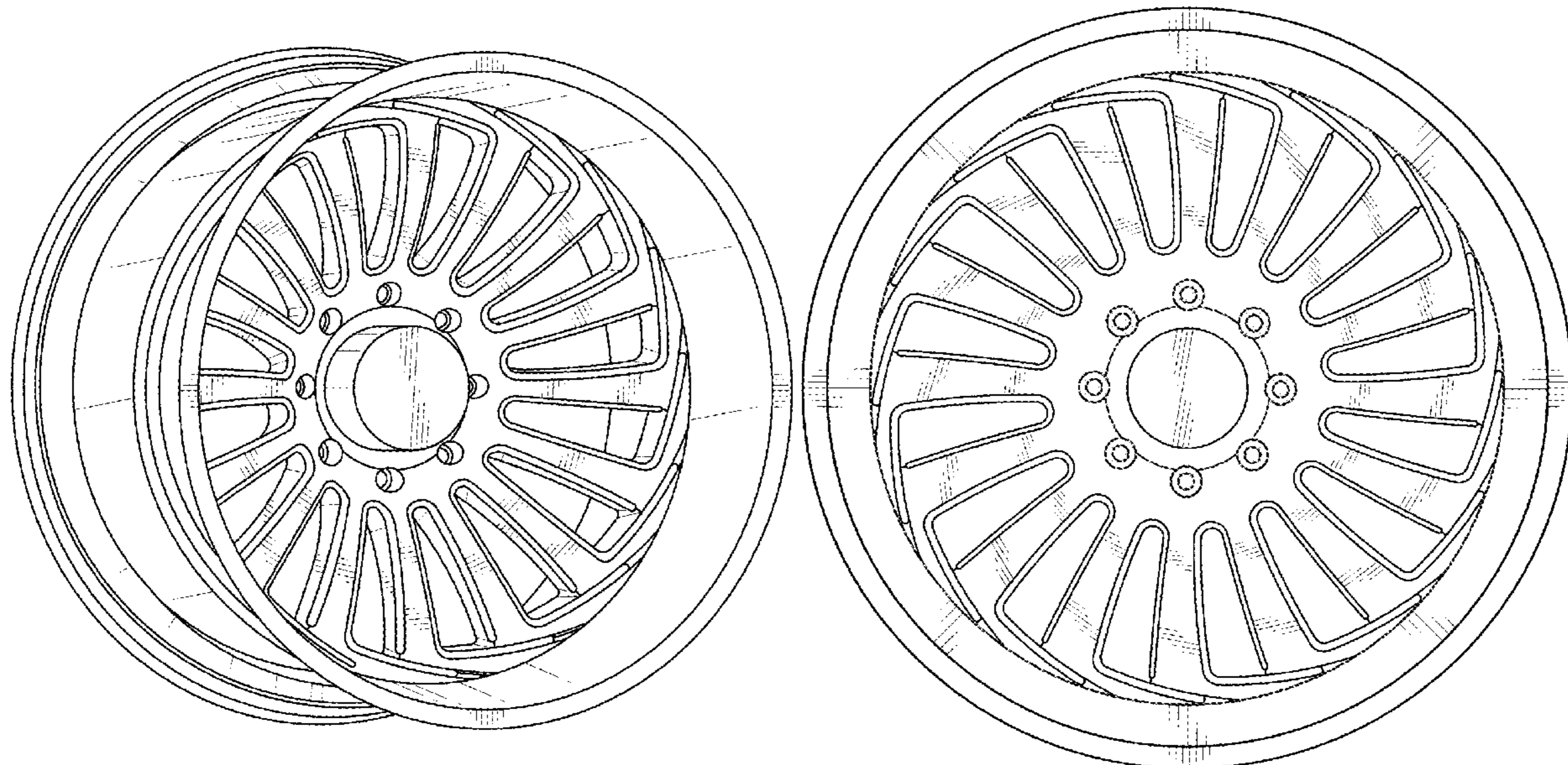
The ornamental design for a wheel, as shown and described.

**DESCRIPTION**

FIG. 1 is a perspective view of the wheel showing the new design; and,

FIG. 2 is a front elevation view thereof.

**1 Claim, 2 Drawing Sheets**



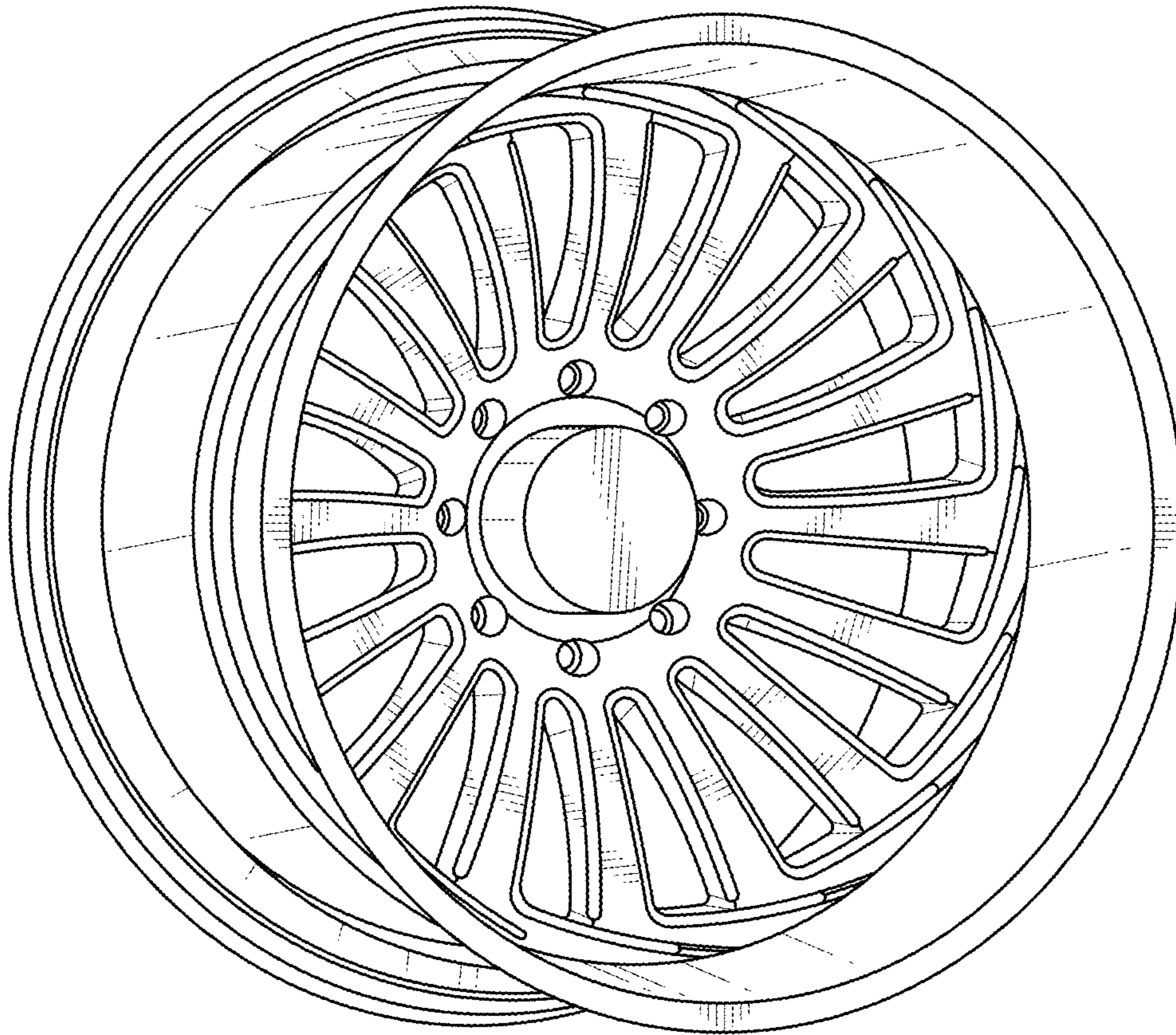


FIG. 1



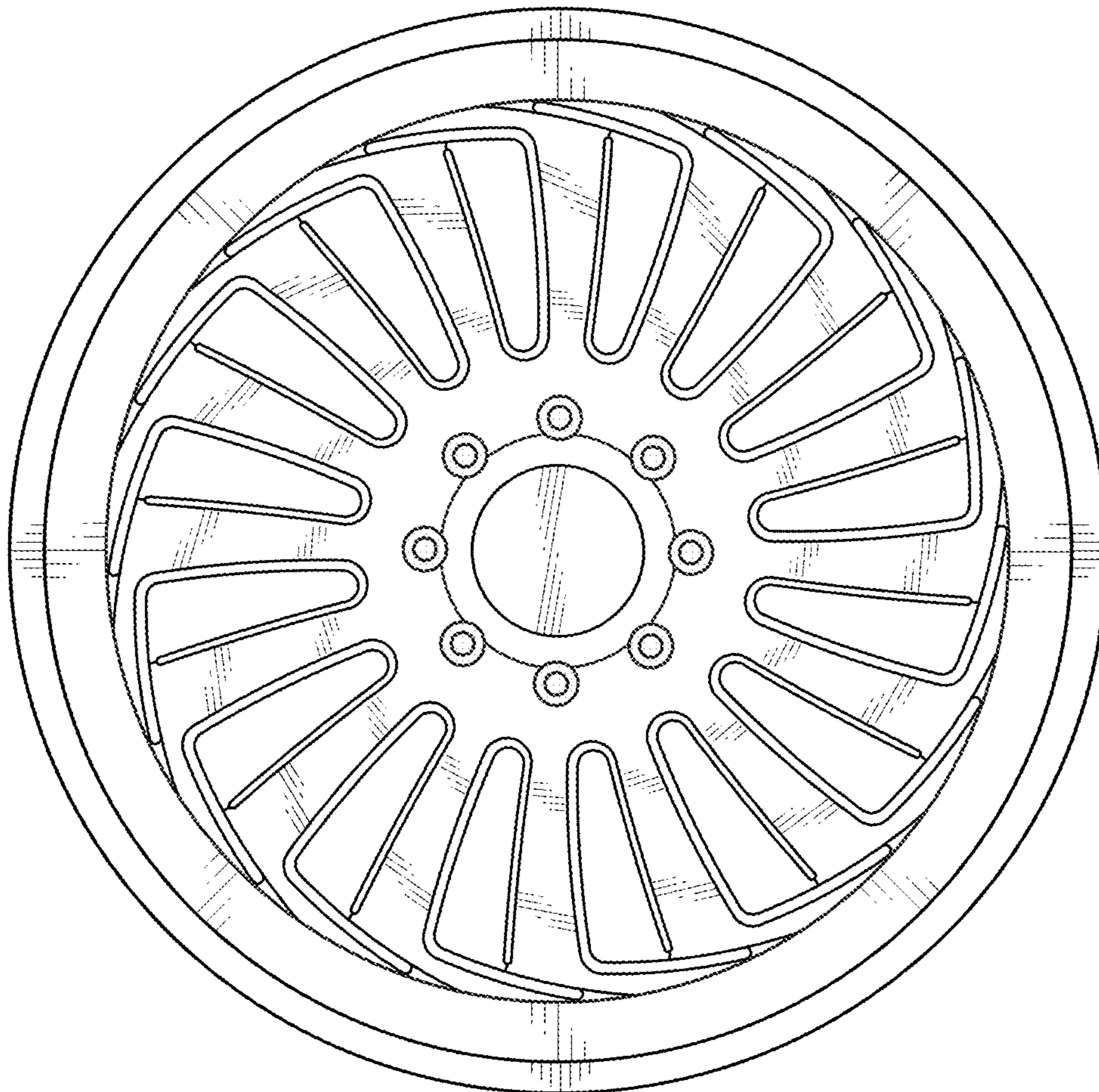


FIG. 2

UNITED STATES PATENT AND TRADEMARK OFFICE  
**CERTIFICATE OF CORRECTION**

PATENT NO. : D877,027 S  
APPLICATION NO. : 29/672865  
DATED : March 3, 2020  
INVENTOR(S) : Hamilton et al.

Page 1 of 1

It is certified that error appears in the above-identified patent and that said Letters Patent is hereby corrected as shown below:

On the Title Page

Item (12), should read:  
Hamilton et al.

Item (72), should read:  
Stephen Hamilton, St. Charles, IL (US);  
Jon L. Chartier, Appleton, WI (US);  
Shawn W. Chartier, Appleton, WI (US)

Signed and Sealed this  
Twentieth Day of September, 2022  
*Katherine Kelly Vidal*

Katherine Kelly Vidal  
*Director of the United States Patent and Trademark Office*