



US00D877026S

(12) **United States Design Patent**  
**Rosello Visa**

(10) **Patent No.:** **US D877,026 S**  
(45) **Date of Patent:** **\*\* Mar. 3, 2020**

- (54) **VEHICLE WHEEL RIM**
- (71) Applicant: **AUDI AG**, Ingolstadt (DE)
- (72) Inventor: **Albert Rosello Visa**, Ingolstadt (DE)
- (73) Assignee: **AUDI AG**, Ingolstadt (DE)
- (\*\*) Term: **15 Years**
- (21) Appl. No.: **29/672,137**
- (22) Filed: **Dec. 3, 2018**
- (30) **Foreign Application Priority Data**  
Jul. 10, 2018 (EM) ..... 005499126
- (51) **LOC (12) Cl.** ..... **12-16**
- (52) **U.S. Cl.**  
USPC ..... **D12/209**
- (58) **Field of Classification Search**  
USPC ..... D12/204–213; D21/563  
CPC .... B60B 7/00; B60B 7/02; B60B 7/04; B60B 7/01; B60B 7/06; B60B 3/02; B60B 3/04; B60B 3/06; B60B 3/10; B60B 1/00; B60B 1/08; B60B 1/10; B60B 1/12  
See application file for complete search history.

- (56) **References Cited**  
U.S. PATENT DOCUMENTS  
D567,167 S \* 4/2008 Forster ..... D12/211  
D688,188 S \* 8/2013 Baum ..... D12/211  
D724,513 S \* 3/2015 Wolff ..... D12/209

- D730,795 S \* 6/2015 Mays ..... D12/209
- D751,020 S \* 3/2016 Mahoney ..... D12/211
- D753,044 S \* 4/2016 Mielke ..... D12/209
- D764,372 S \* 8/2016 Behmer ..... D12/211
- D769,169 S \* 10/2016 Kumeya ..... D12/211
- D775,048 S \* 12/2016 Rueckheim ..... D12/211
- D799,395 S \* 10/2017 Chung ..... D12/209
- D818,927 S \* 5/2018 Valencia Pollex ..... D12/209
- D851,006 S \* 6/2019 Hans ..... D12/209
- D851,010 S \* 6/2019 Sze ..... D12/209
- D853,931 S \* 7/2019 Khachatryan ..... D12/209
- D853,934 S \* 7/2019 Waldron ..... D12/211
- D856,894 S \* 8/2019 Valencia Pollex ..... D12/209
- D861,566 S \* 10/2019 Kippes ..... D12/209
- D861,568 S \* 10/2019 Kim ..... D12/209
- D862,353 S \* 10/2019 Bjerke ..... D12/209
- D864,072 S \* 10/2019 Groth ..... D12/209
- D864,073 S \* 10/2019 Mielke ..... D12/209
- D865,627 S \* 11/2019 Chi ..... D12/209
- D867,253 S \* 11/2019 Smock ..... D12/209

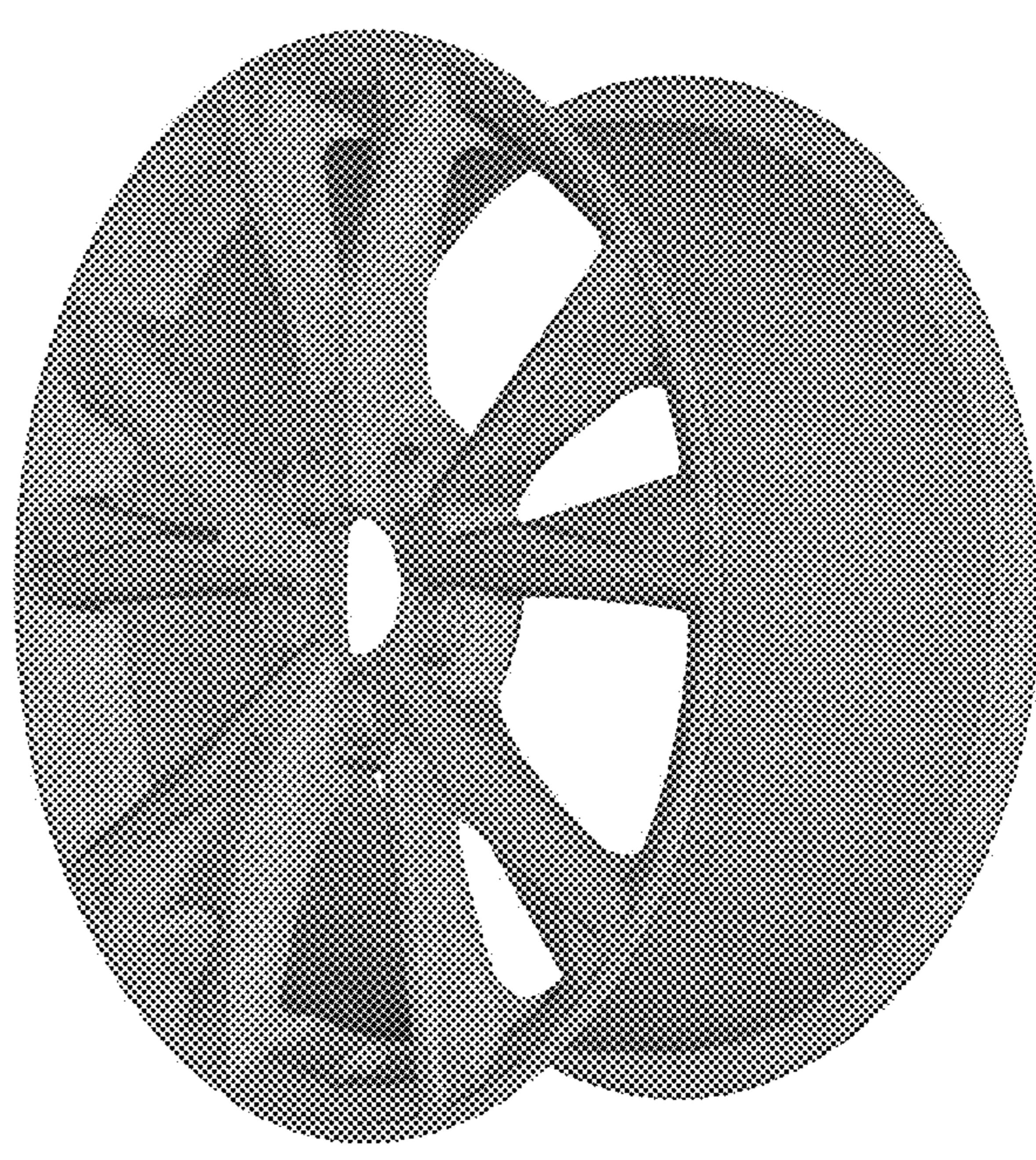
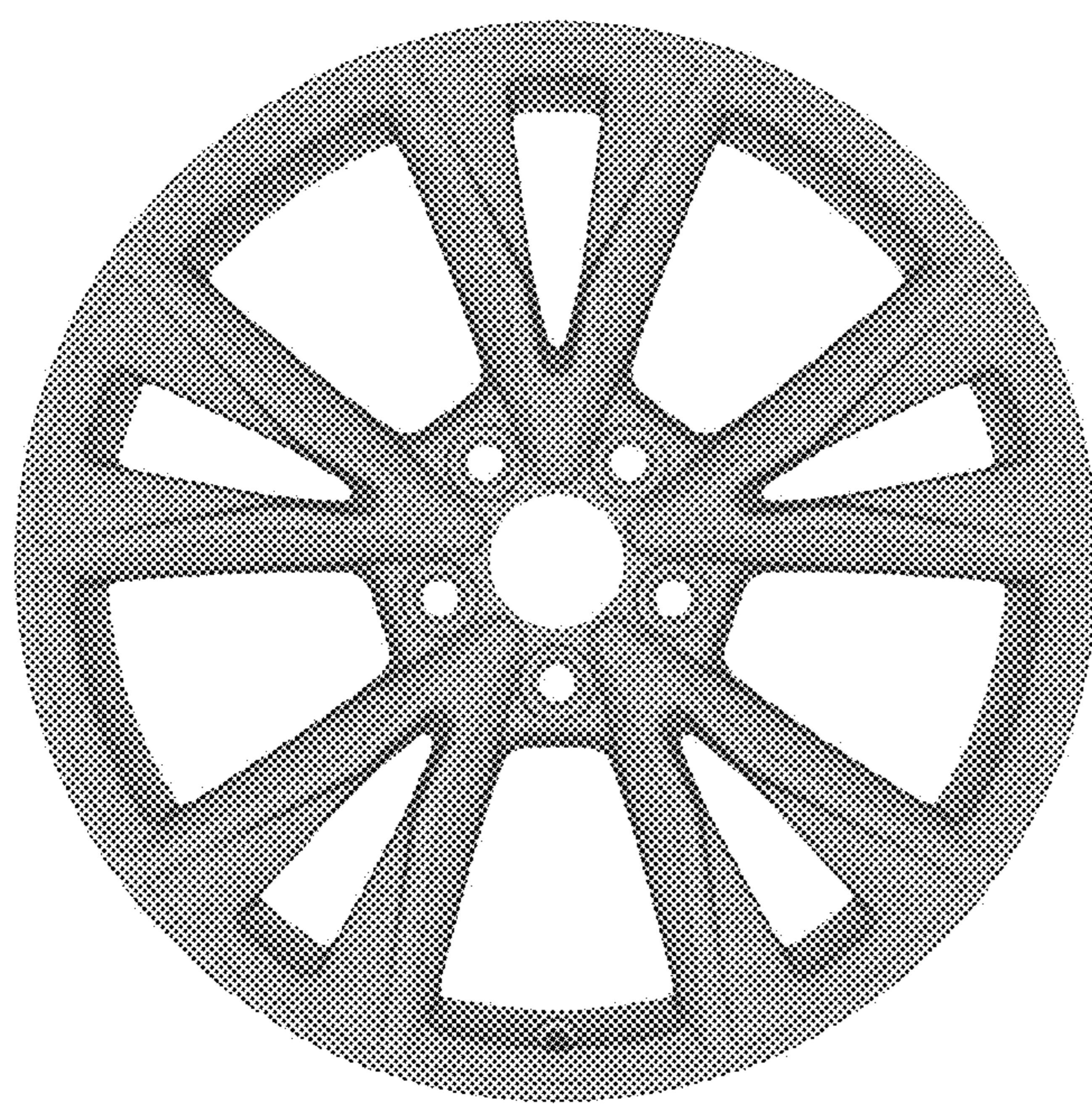
\* cited by examiner

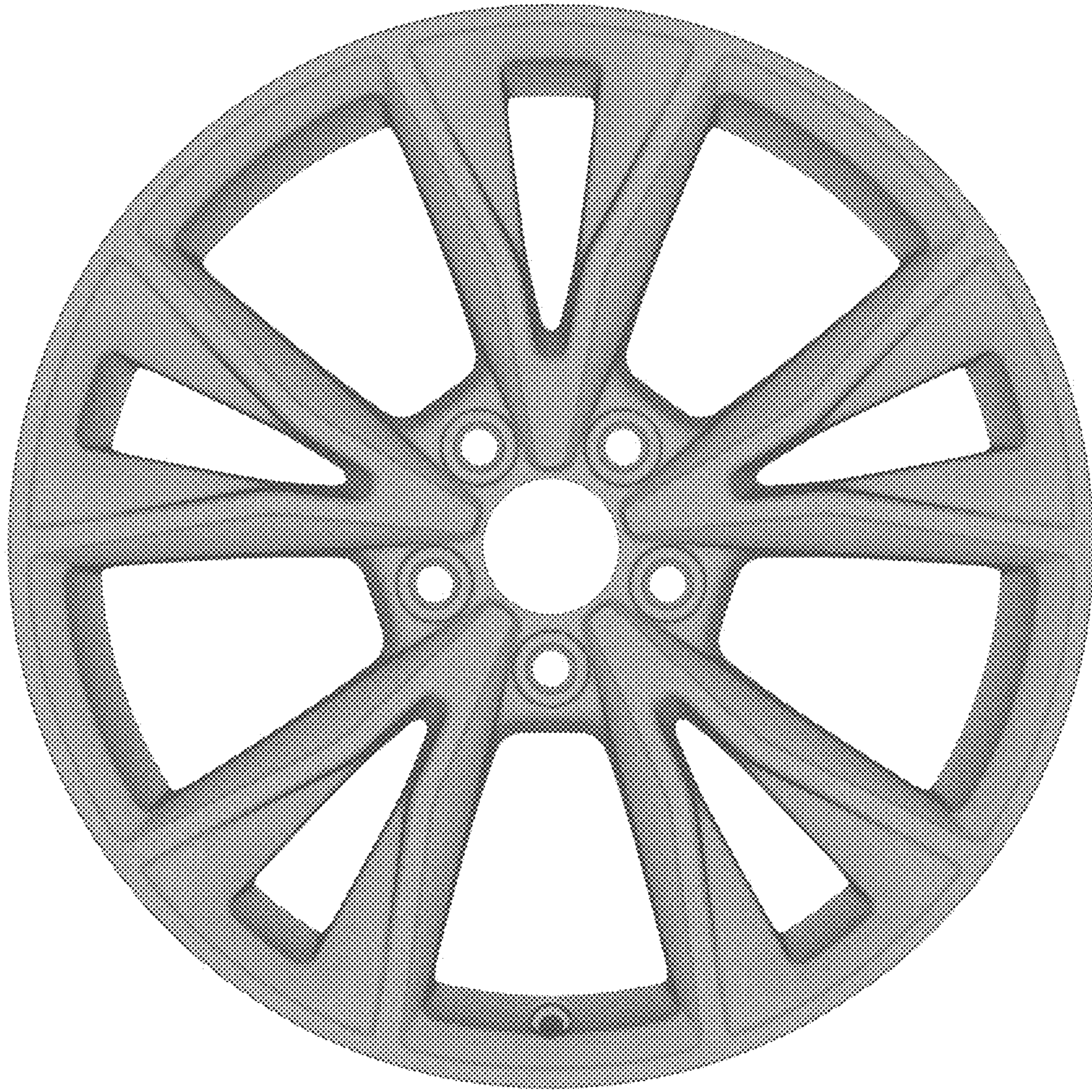
*Primary Examiner* — Stacia A Cadmus  
(74) *Attorney, Agent, or Firm* — Lucas & Mercanti, LLP; Klaus P. Stoffel

(57) **CLAIM**  
The ornamental design for a vehicle wheel rim, as shown and described.

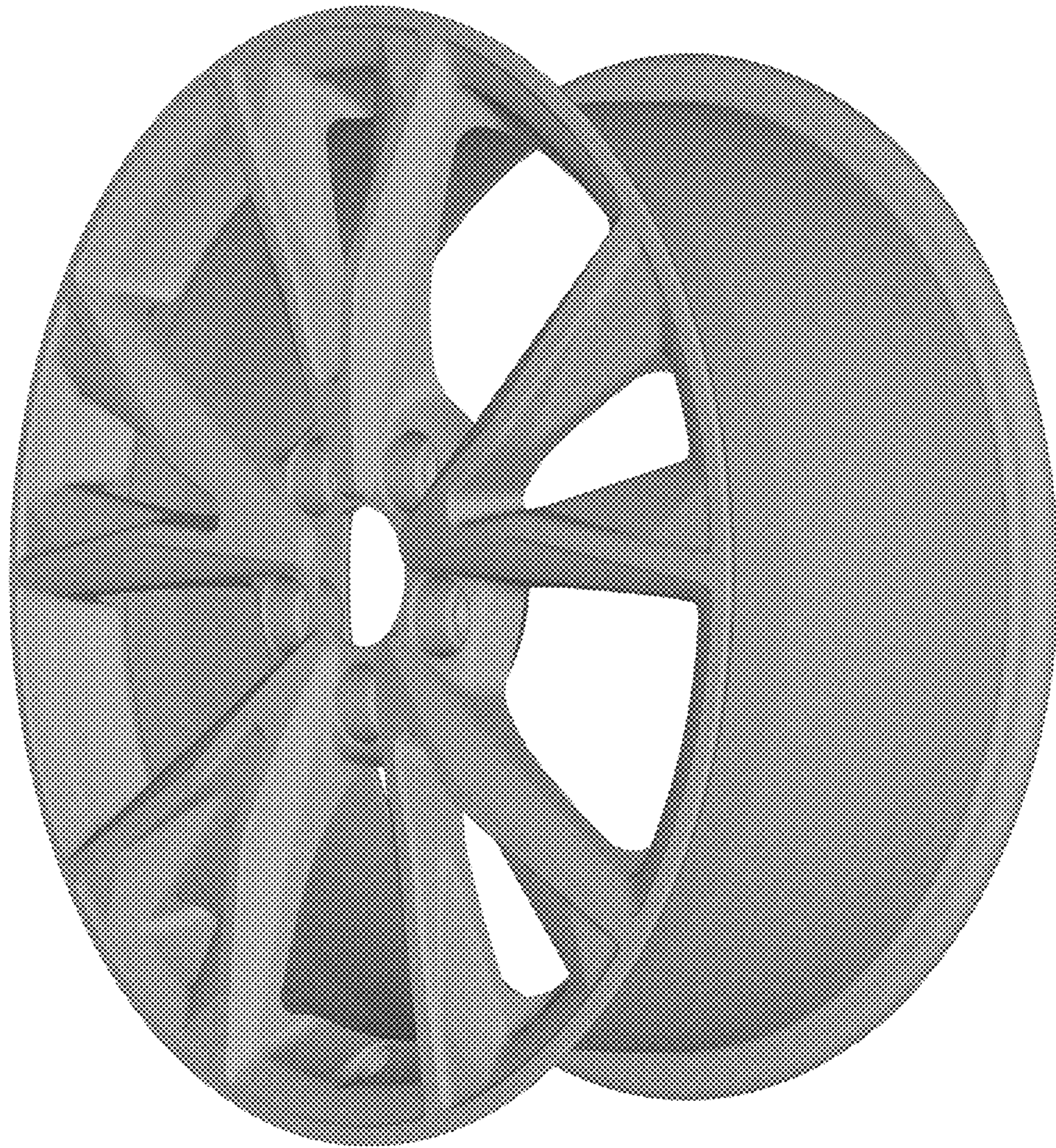
**DESCRIPTION**  
FIG. 1 is a front view of the vehicle wheel rim of the present invention; and,  
FIG. 2 is a front, side perspective view thereof.

**1 Claim, 2 Drawing Sheets**





**Fig. 1**



**Fig. 2**