



US00D877025S

(12) **United States Design Patent**
Rosello Visa

(10) **Patent No.:** **US D877,025 S**

(45) **Date of Patent:** **** Mar. 3, 2020**

- (54) **VEHICLE WHEEL RIM**
- (71) Applicant: **AUDI AG**, Ingolstadt (DE)
- (72) Inventor: **Albert Rosello Visa**, Ingolstadt (DE)
- (73) Assignee: **AUDI AG**, Ingolstadt (DE)
- (**) Term: **15 Years**
- (21) Appl. No.: **29/672,131**
- (22) Filed: **Dec. 3, 2018**

D753,045 S *	4/2016	Kawaguchi	D12/209
D762,543 S *	8/2016	Hara	D12/209
D788,003 S *	5/2017	Conforzi	D12/209
D804,388 S *	12/2017	Snyder	D12/209
D819,536 S *	6/2018	Austin	D12/209
D826,826 S *	8/2018	Back	D12/209
D840,317 S *	2/2019	Austin	D12/209
D856,247 S *	8/2019	Smock	D12/209
D856,254 S *	8/2019	Melville-Brown	D12/209
D856,887 S *	8/2019	Imazato	D12/209
D857,590 S *	8/2019	Setter	D12/209
D858,404 S *	9/2019	Oh	D12/209
D864,831 S *	10/2019	Umehara	D12/209
D866,430 S *	11/2019	Tomasson	D12/209
D869,367 S *	12/2019	Rosello Visa	D12/209

(30) **Foreign Application Priority Data**

Jul. 10, 2018 (EM) 005 499 126

(51) **LOC (12) Cl.** **12-16**

(52) **U.S. Cl.**
USPC **D12/209**

(58) **Field of Classification Search**
USPC D12/204-213; D21/563
CPC B60B 7/00; B60B 7/02; B60B 7/04; B60B 7/01; B60B 7/06; B60B 3/02; B60B 3/04; B60B 3/06; B60B 3/10; B60B 1/00; B60B 1/08; B60B 1/10; B60B 1/12
See application file for complete search history.

(56) **References Cited**

U.S. PATENT DOCUMENTS

D683,681 S *	6/2013	Juergens	D12/209
D695,186 S *	12/2013	Pollmann	D12/209

* cited by examiner

Primary Examiner — Stacia A Cadmus

(74) *Attorney, Agent, or Firm* — Lucas & Mercanti, LLP; Klaus P. Stoffel

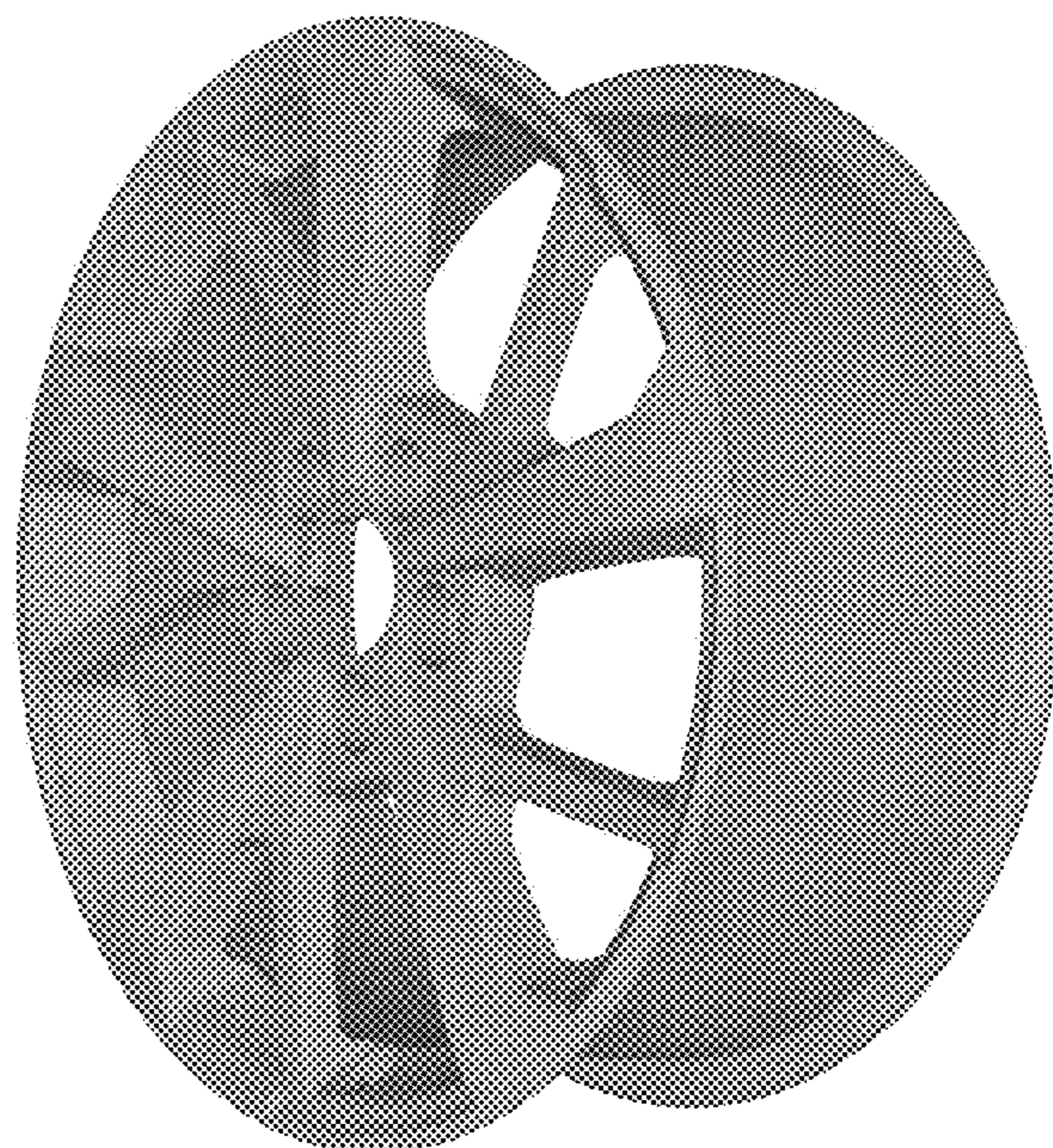
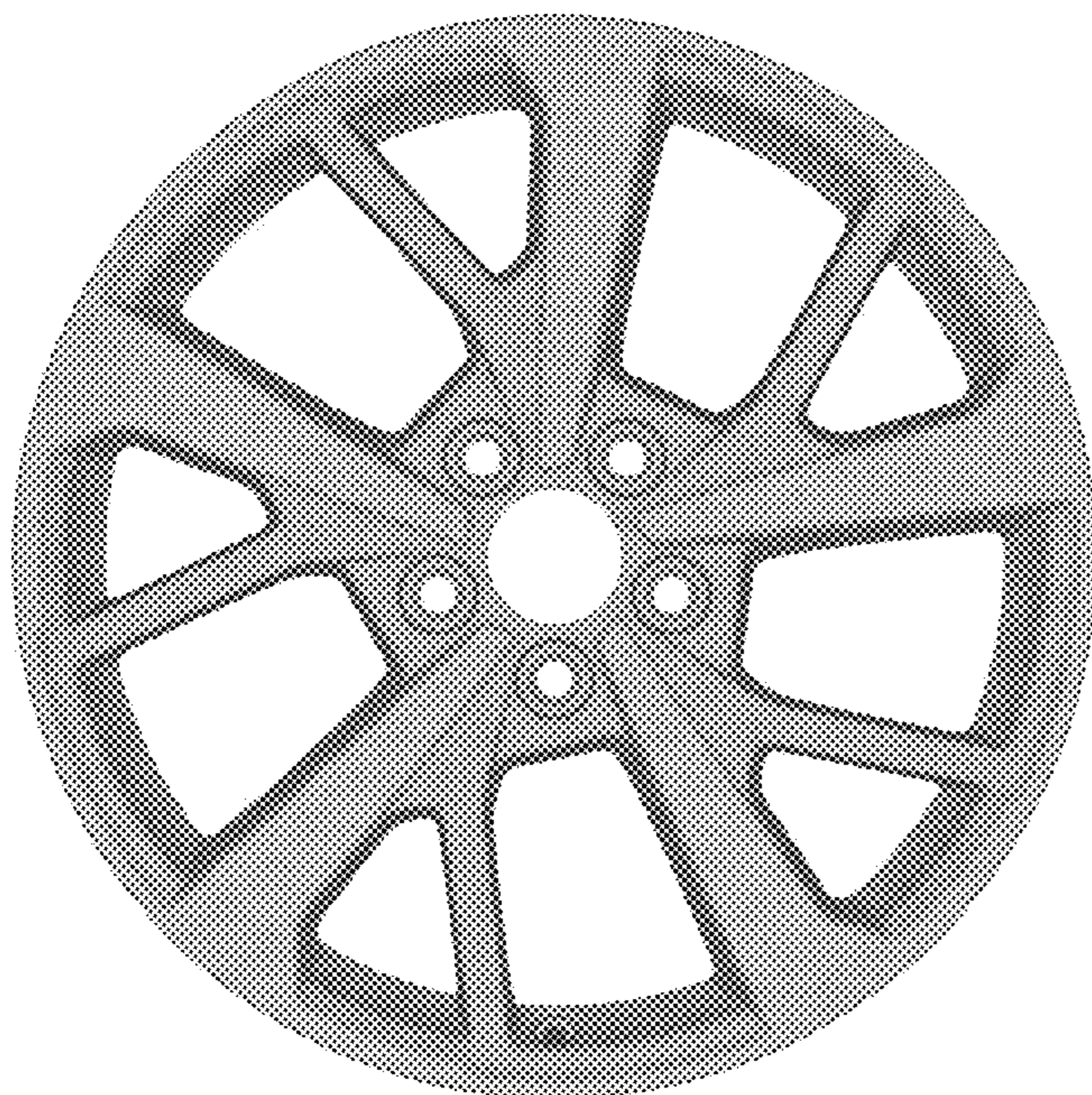
(57) **CLAIM**

The ornamental design for a vehicle wheel rim, as shown and described.

DESCRIPTION

FIG. 1 is a front view of the vehicle wheel rim of the present invention; and, FIG. 2 is a front, side perspective view thereof.

1 Claim, 2 Drawing Sheets



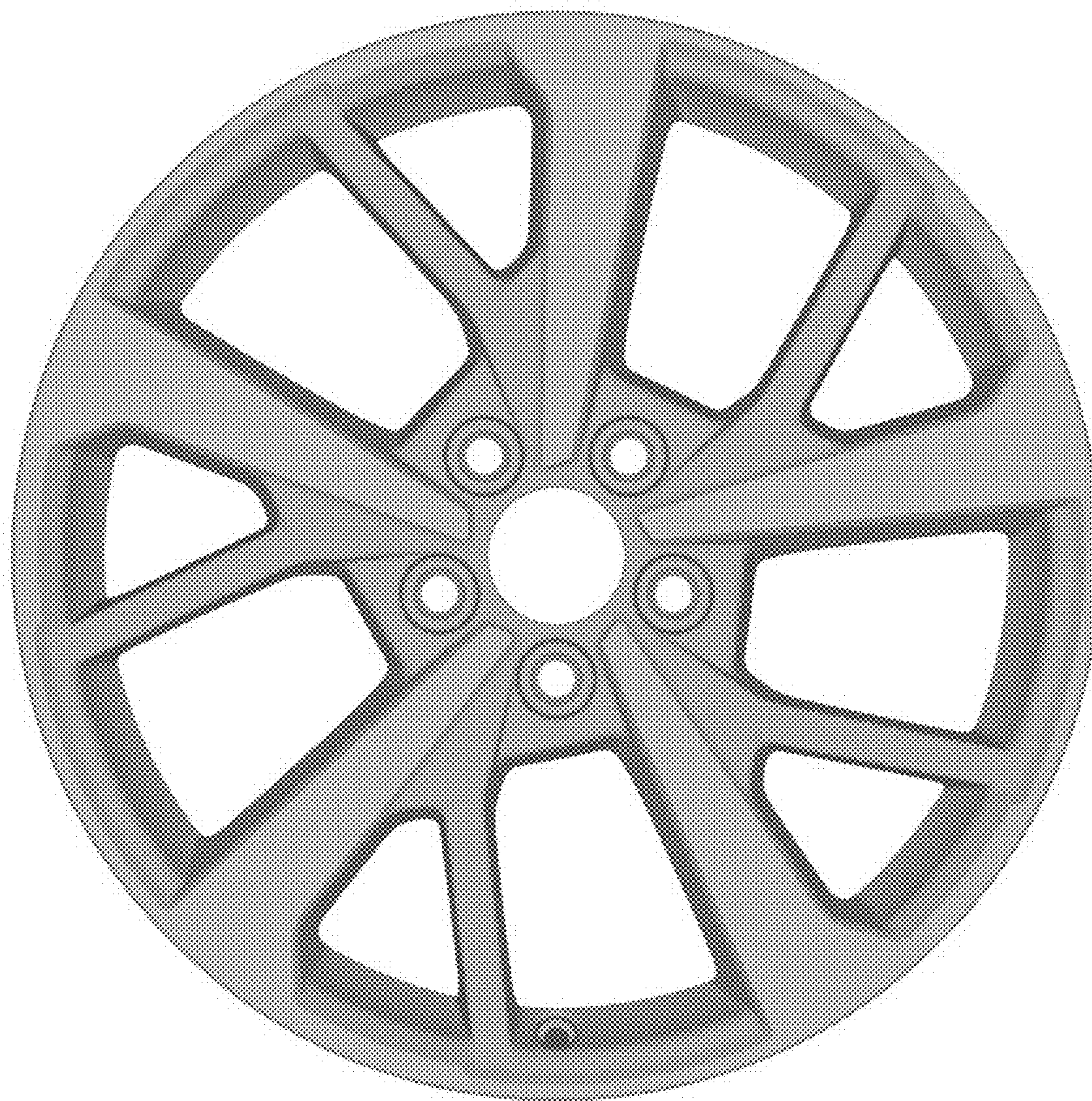


Fig. 1



Fig. 2