



US00D877023S

(12) **United States Design Patent**
Valencia Pollex

(10) **Patent No.:** **US D877,023 S**
(45) **Date of Patent:** **** Mar. 3, 2020**

- (54) **VEHICLE WHEEL RIM**
- (71) Applicant: **AUDI AG**, Ingolstadt (DE)
- (72) Inventor: **Andreas Valencia Pollex**, Ingolstadt (DE)
- (73) Assignee: **AUDI AG**, Ingolstadt (DE)
- (**) Term: **15 Years**
- (21) Appl. No.: **29/672,099**
- (22) Filed: **Dec. 3, 2018**
- (30) **Foreign Application Priority Data**
Jul. 10, 2018 (EM) 005 499 126
- (51) **LOC (12) Cl.** **12-16**
- (52) **U.S. Cl.**
USPC **D12/209**
- (58) **Field of Classification Search**
USPC D12/204–213; D21/563
CPC B60B 7/00; B60B 7/02; B60B 7/04; B60B 7/01; B60B 7/06; B60B 3/02; B60B 3/04; B60B 3/06; B60B 3/10; B60B 1/00; B60B 1/08; B60B 1/10; B60B 1/12
See application file for complete search history.

- (56) **References Cited**
U.S. PATENT DOCUMENTS
D569,322 S * 5/2008 Scheu D12/211
D588,517 S * 3/2009 Aroney D12/211
D590,322 S * 4/2009 Rak D12/211
D655,657 S * 3/2012 Juergens D12/209

- D666,958 S * 9/2012 Suzuki D12/211
- D686,132 S * 7/2013 Truebsbach D12/209
- D691,081 S * 10/2013 Watkin D12/211
- D695,185 S * 12/2013 Juergens D12/209
- D695,668 S * 12/2013 Juergens D12/209
- D726,628 S * 4/2015 Kong D12/211
- D756,287 S * 5/2016 Koglin D12/211
- D756,878 S * 5/2016 Valencia Pollex D12/209
- D769,172 S * 10/2016 Ishii D12/211
- D785,537 S * 5/2017 Valencia Pollex D12/211
- D788,003 S * 5/2017 Conforzi D12/209
- D791,668 S * 7/2017 Murase D12/209
- D791,670 S * 7/2017 Valencia Pollex D12/209
- D798,217 S * 9/2017 Valencia Pollex D12/211
- D815,009 S * 4/2018 Valencia Pollex D12/209
- D817,247 S * 5/2018 Valencia Pollex D12/209
- D823,224 S * 7/2018 Nakamura D12/211
- D826,126 S * 8/2018 Valencia Pollex D12/209
- D826,130 S * 8/2018 Myrberg D12/209
- D840,321 S * 2/2019 Kikuchi D12/211
- D858,411 S * 9/2019 Rosello Visa D12/209
- D869,367 S * 12/2019 Rosello Visa D12/209

* cited by examiner
Primary Examiner — Stacia A Cadmus
(74) *Attorney, Agent, or Firm* — Lucas & Mercanti, LLP; Klaus P. Stoffel

(57) **CLAIM**
The ornamental design for a vehicle wheel rim, as shown and described.

DESCRIPTION
FIG. 1 is a front view of the vehicle wheel rim of the present invention; and,
FIG. 2 is a front, side perspective view thereof.
1 Claim, 2 Drawing Sheets

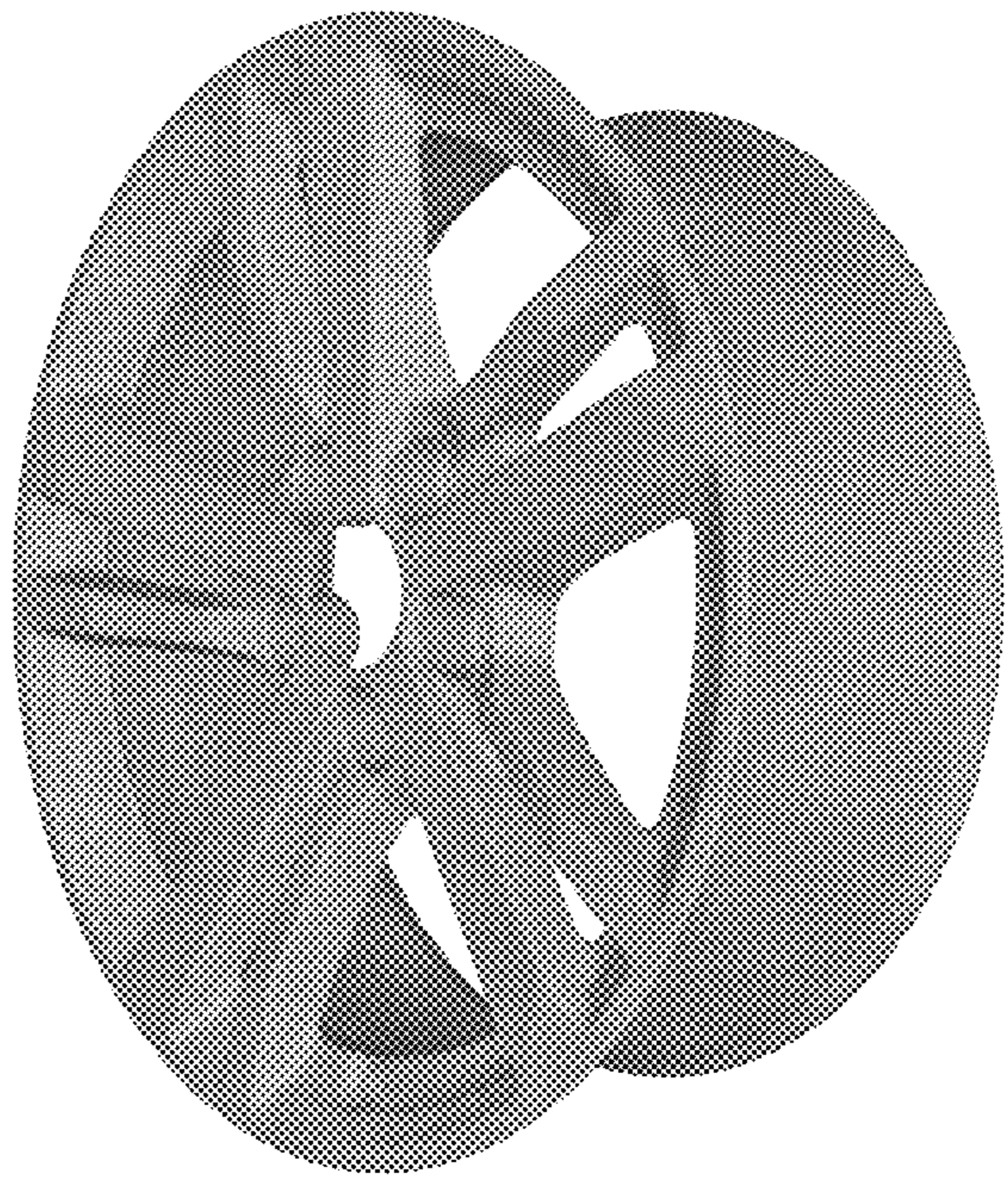
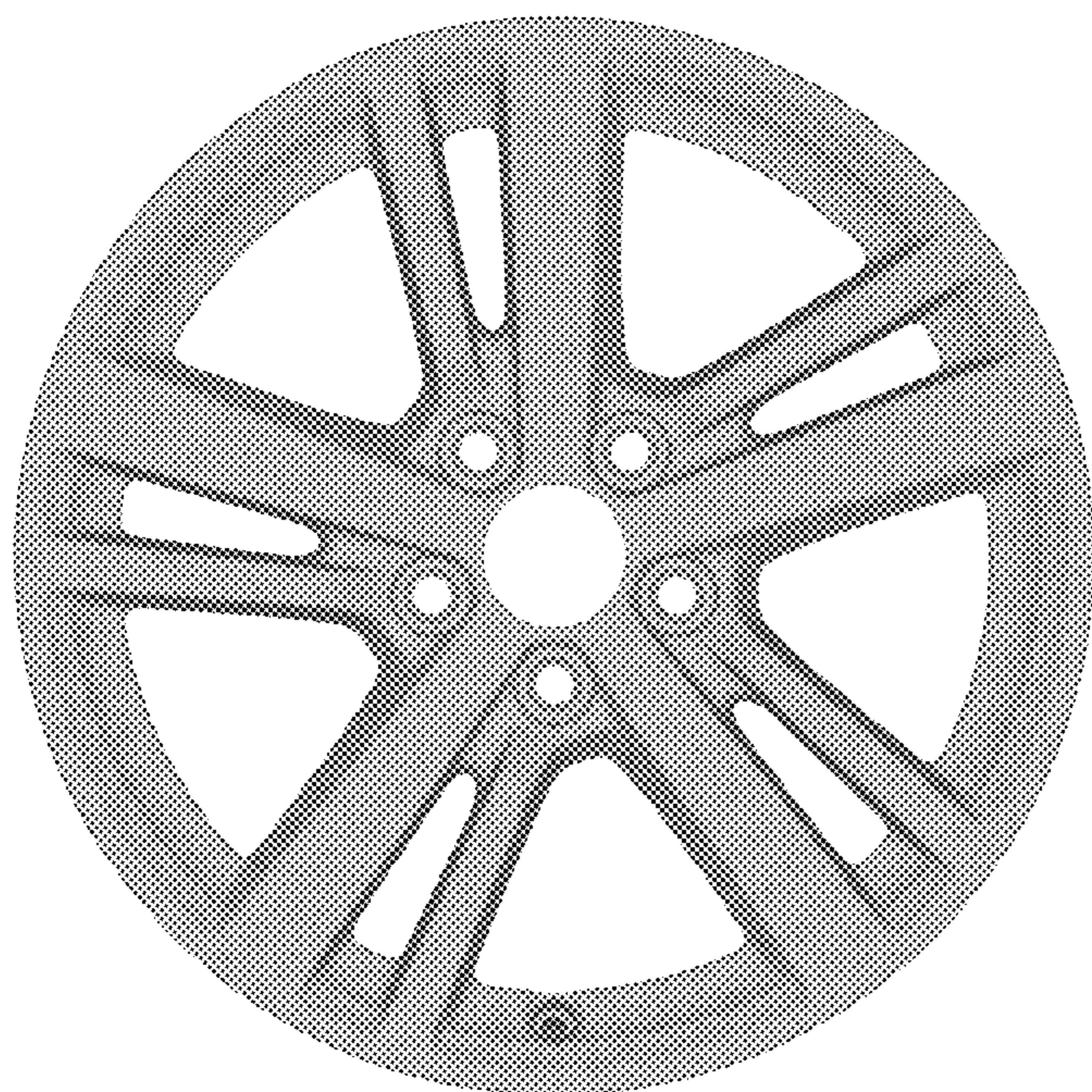




Fig. 1

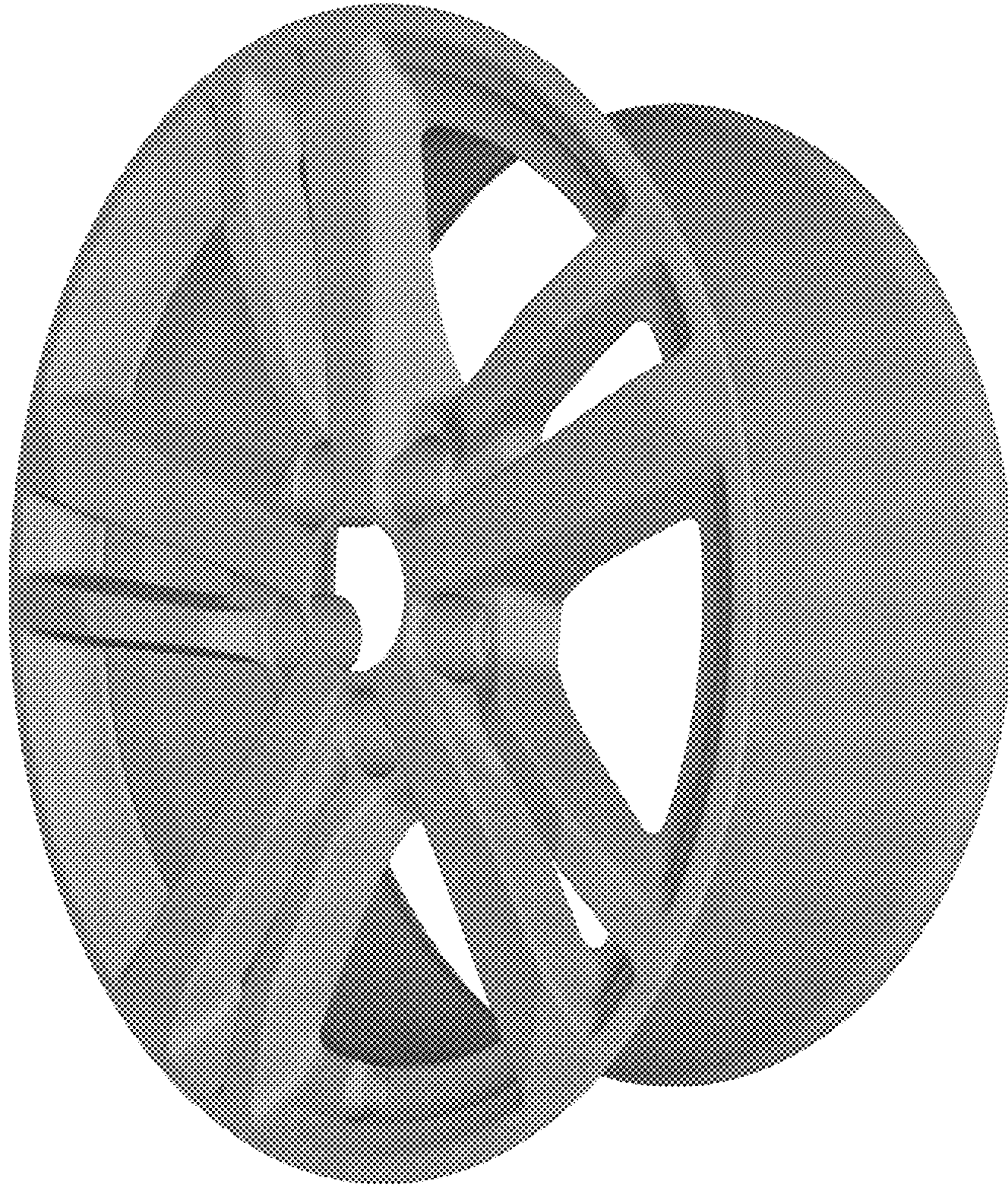


Fig. 2