



US00D877018S

(12) **United States Design Patent**
Betancourt et al.

(10) **Patent No.:** **US D877,018 S**

(45) **Date of Patent:** **** Mar. 3, 2020**

(54) **VEHICLE WHEEL**

(71) Applicant: **Ford Global Technologies, LLC**,
Dearborn, MI (US)

(72) Inventors: **Melvin Betancourt**, Shelby Township,
MI (US); **Eric Stoddard**, Birmingham,
MI (US); **Daniel J. Kangas**, Dearborn
Heights, MI (US); **Darrell P. Behmer**,
Novi, MI (US); **Craig S. Metros**,
Bloomfield, MI (US); **Christopher**
Svensson, Bloomfield, MI (US)

(73) Assignee: **Ford Global Technologies, LLC**,
Dearborn, MI (US)

(**) Term: **15 Years**

(21) Appl. No.: **29/640,758**

(22) Filed: **Mar. 16, 2018**

(51) **LOC (12) Cl.** **12-16**

(52) **U.S. Cl.**
USPC **D12/209**

(58) **Field of Classification Search**
USPC D12/204–213; D21/533, 561, 563
CPC B60B 7/00; B60B 7/02; B60B 7/04; B60B
7/06; B60B 3/02; B60B 3/04; B60B 3/06;
B60B 3/10; B60B 1/00; B60B 1/08;
B60B 1/10; B60B 1/12
See application file for complete search history.

(56) **References Cited**

U.S. PATENT DOCUMENTS

D558,118 S * 12/2007 Hueller D12/211
D673,096 S * 12/2012 Platto D12/209

D730,795 S *	6/2015	Mays	D12/209
D731,389 S *	6/2015	Gotschke	D12/211
D746,751 S *	1/2016	Wheel	D12/209
D748,034 S *	1/2016	Hall	D12/211
D763,760 S *	8/2016	Gale	D12/209
D773,370 S *	12/2016	Bucher	D12/211
D777,074 S *	1/2017	Valencia Pollex	D12/211
D785,535 S *	5/2017	Valencia Pollex	D12/209
D788,005 S *	5/2017	Peat	D12/211
D805,457 S *	12/2017	Setter	D12/211
D805,991 S *	12/2017	Platto	D12/209
D811,979 S *	3/2018	Svensson	D12/211
D822,572 S *	7/2018	Smith	D12/209
D826,824 S *	8/2018	Platto	D12/209
D838,648 S *	1/2019	Metros	D12/209
D844,529 S *	4/2019	Lemke	D12/209

* cited by examiner

Primary Examiner — Sheryl Lane

Assistant Examiner — Calvin E Vansant

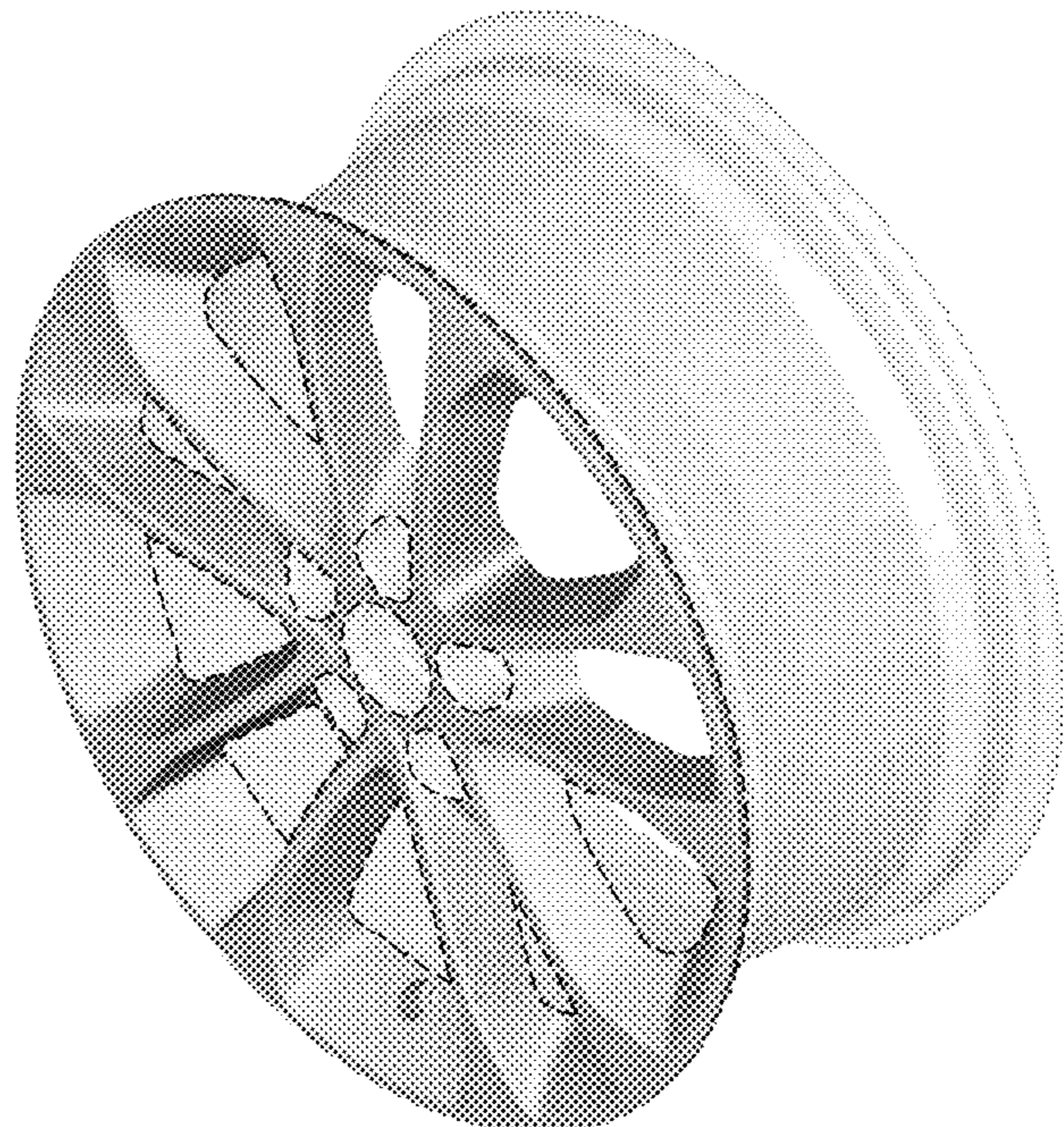
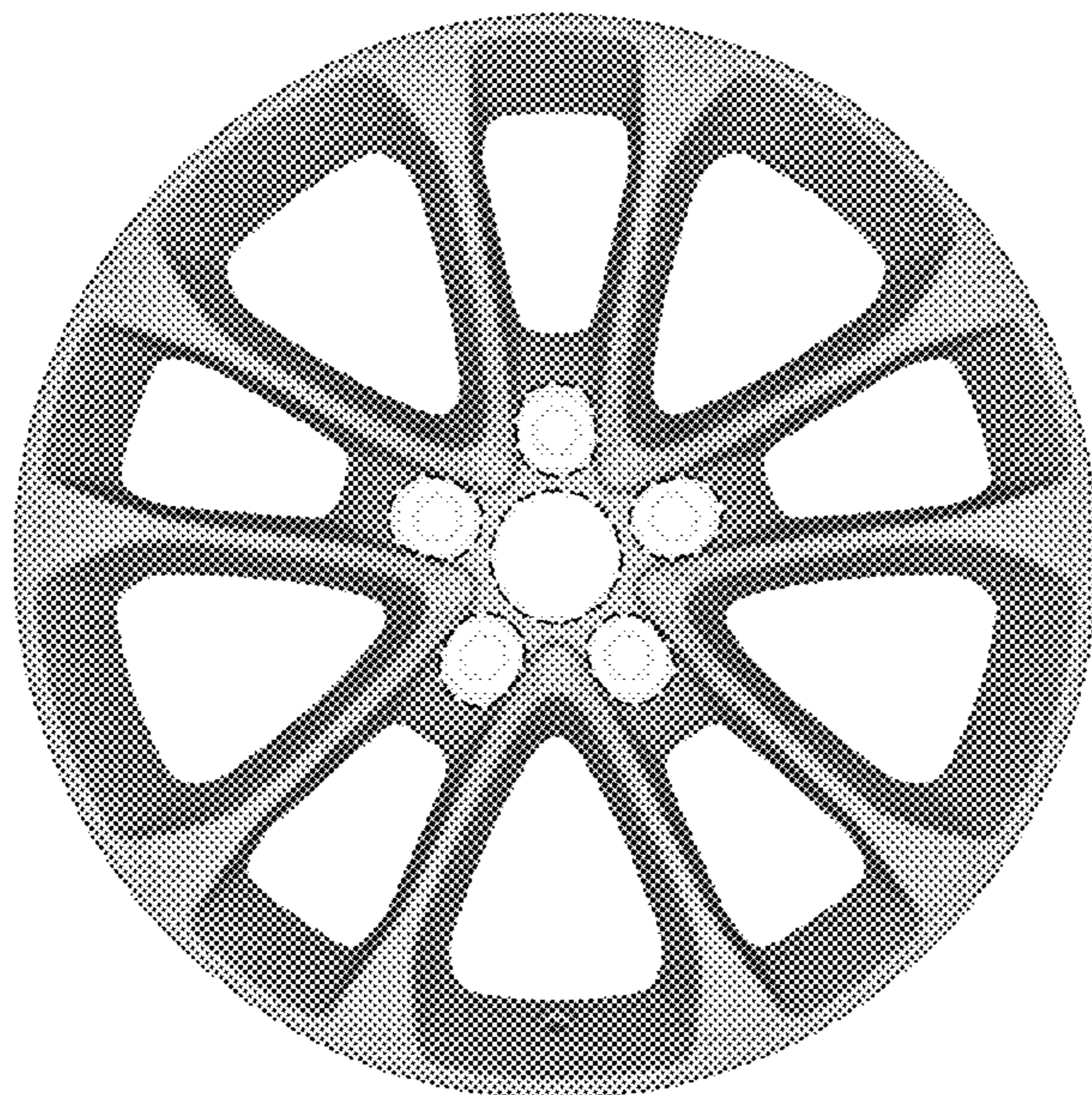
(57) **CLAIM**

The ornamental design for a vehicle wheel, as shown and described.

DESCRIPTION

FIG. 1 is a front elevational view of a vehicle wheel showing our new design; and, FIG. 2 is a side perspective view of a front face thereof. Any broken lines represent an internal boundary of the design; the line itself and the area within form no part of the claim.

1 Claim, 2 Drawing Sheets



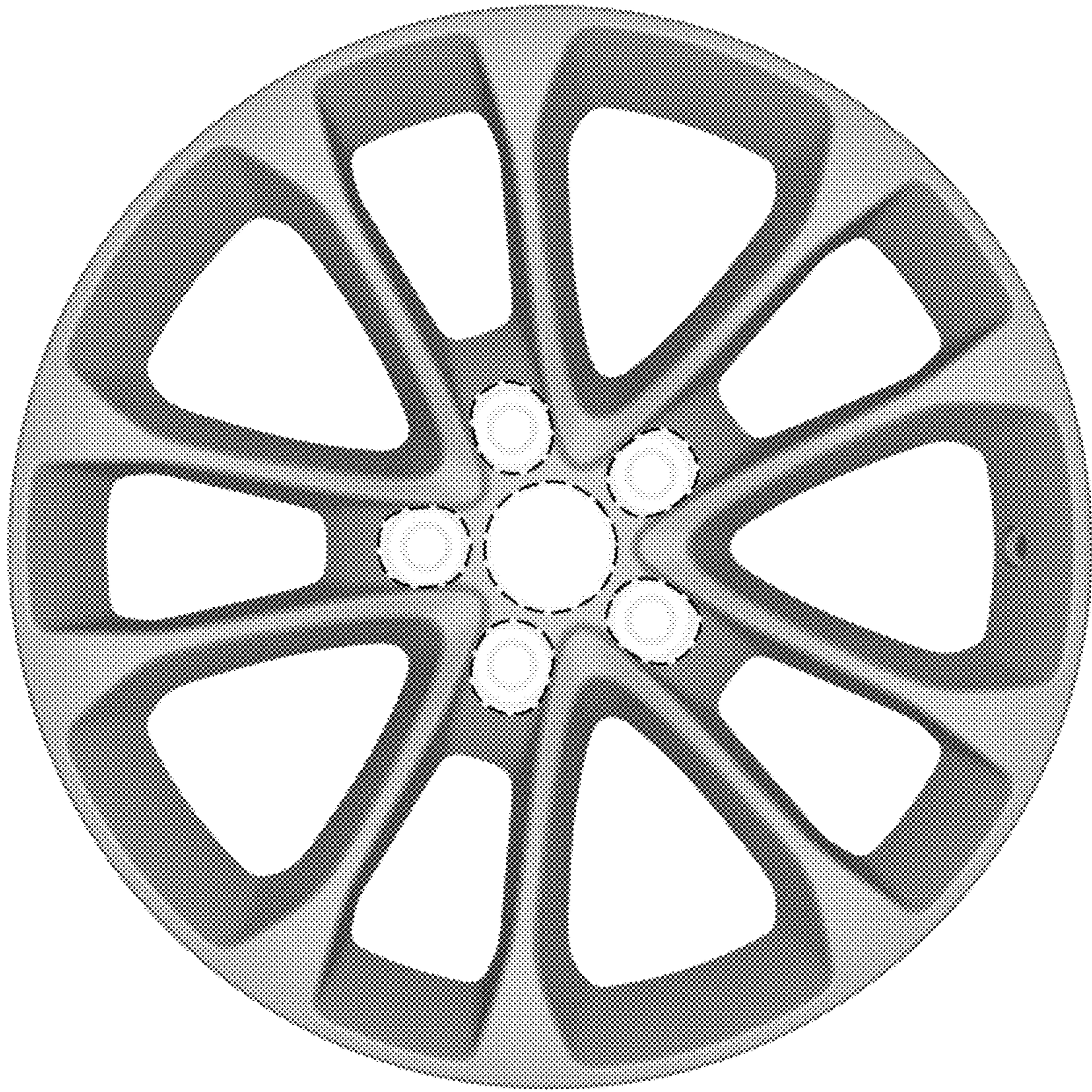


Fig. 1



Fig. 2