

US00D877015S

(12) **United States Design Patent**
Chen et al.

(10) **Patent No.:** **US D877,015 S**
(45) **Date of Patent:** **** Mar. 3, 2020**

(54) **CENTERLOCK WHEEL ASSEMBLY**

(71) Applicant: **Revel Wheels, LLC**, Baldwin Park, CA (US)

(72) Inventors: **Billy Chen**, Baldwin Park, CA (US);
Paul Yang, Baldwin Park, CA (US);
David Tran, Baldwin Park, CA (US)

(73) Assignee: **Revel Wheels, L.L.C.**, Baldwin Park, CA (US)

(**) Term: **15 Years**

(21) Appl. No.: **29/626,641**

(22) Filed: **Nov. 17, 2017**

(51) **LOC (12) Cl.** **12-16**

(52) **U.S. Cl.**
USPC **D12/207**

(58) **Field of Classification Search**
USPC D12/207, 180, 204, 213
CPC B60B 3/142
See application file for complete search history.

(56) **References Cited**

U.S. PATENT DOCUMENTS

3,425,760	A *	2/1969	Gordon	F16C 35/061 384/563
4,138,160	A *	2/1979	Lohmeyer	B60B 7/14 301/108.4
4,478,458	A *	10/1984	Flexman	B60B 3/14 301/35.57
5,352,026	A *	10/1994	Snook	B60B 1/042 301/105.1
5,492,391	A *	2/1996	Snook	B60B 1/042 301/105.1
5,533,794	A *	7/1996	Faison	B60B 27/00 301/105.1
5,820,224	A *	10/1998	Dimatteo, Jr.	B60B 1/042 301/35.58
5,887,952	A *	3/1999	Gandellini	B60B 3/02 301/35.58

(Continued)

Primary Examiner — Kevin K Rudzinski

(74) *Attorney, Agent, or Firm* — Rutan & Tucker LLP;
Hami Z. Sayed

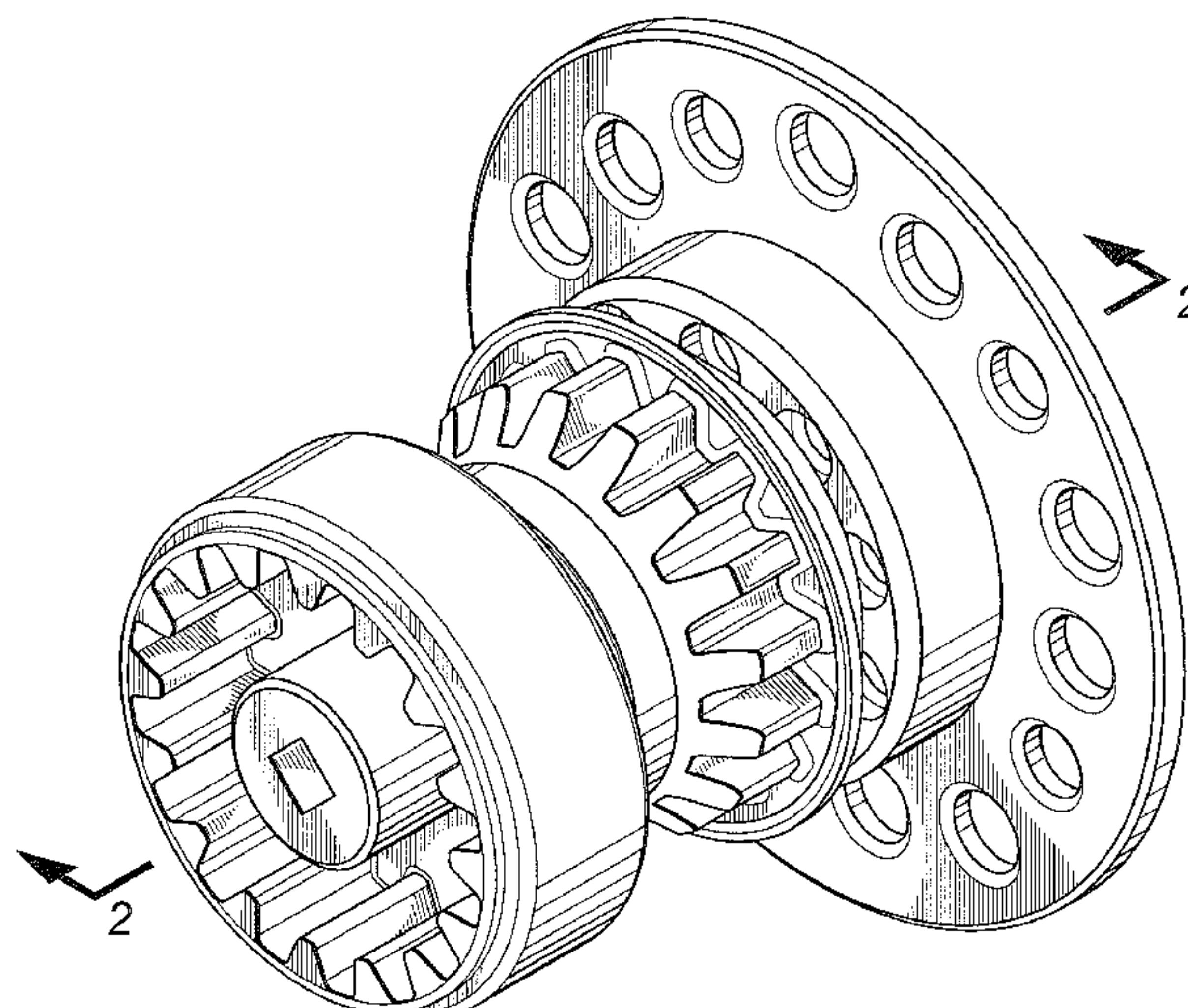
(57) **CLAIM**

The ornamental design for centerlock wheel assembly, as shown and described.

DESCRIPTION

FIG. 1—Top, front, right side perspective view of the tool, cap, nut, hub assembly of the centerlock wheel assembly;
 FIG. 2—Cross-section view taken along line 2-2 of FIG. 1;
 FIG. 3—Top, front, right side exploded perspective view of the assembly of FIG. 1;
 FIG. 4—Front elevation view of the tool of FIG. 3;
 FIG. 5—Rear elevation view of the tool of FIG. 3;
 FIG. 6—Right side elevation view of the tool of FIG. 3;
 FIG. 7—Cross-section view taken along line 7-7 of FIG. 4;
 FIG. 8—Front elevation view of the cap of FIG. 3;
 FIG. 9—Rear elevation view of the cap of FIG. 3;
 FIG. 10—Right side elevation view of the cap of FIG. 3;
 FIG. 11—Cross-section view taken along line 11-11 of FIG. 8;
 FIG. 12—Front elevation view of the nut of FIG. 3;
 FIG. 13—Rear elevation view of the nut of FIG. 3;
 FIG. 14—Right side elevation view of the nut of FIG. 3;
 FIG. 15—Cross-section view taken along line 15-15 of FIG. 12;
 FIG. 16—Front elevation view of the hub of FIG. 3;
 FIG. 17—Rear elevation view of the hub of FIG. 3;
 FIG. 18—Right side elevation view of the hub of FIG. 3;
 and,
 FIG. 19—Cross-section view taken along line 19-19 of FIG. 16.

1 Claim, 8 Drawing Sheets



(56)

References Cited

U.S. PATENT DOCUMENTS

6,116,700 A * 9/2000 Herrera B60B 3/142
301/111.02
6,322,158 B1 * 11/2001 Herrera B60B 3/14
301/111.04
6,398,311 B1 * 6/2002 Necaïse B60B 3/16
301/108.4
D662,869 S * 7/2012 Ballard D12/213
8,739,585 B2 * 6/2014 Sims B60B 3/165
301/37.21
D776,038 S * 1/2017 Hensel D12/207
9,897,154 B2 * 2/2018 Root B60B 27/0052
D823,212 S * 7/2018 Prasad D12/207
10,112,436 B2 * 10/2018 Denmead B60B 3/14
2007/0096546 A1 * 5/2007 Thomas B60B 3/142
301/108.5
2009/0267405 A1 * 10/2009 Ballard B60B 3/08
301/105.1

* cited by examiner

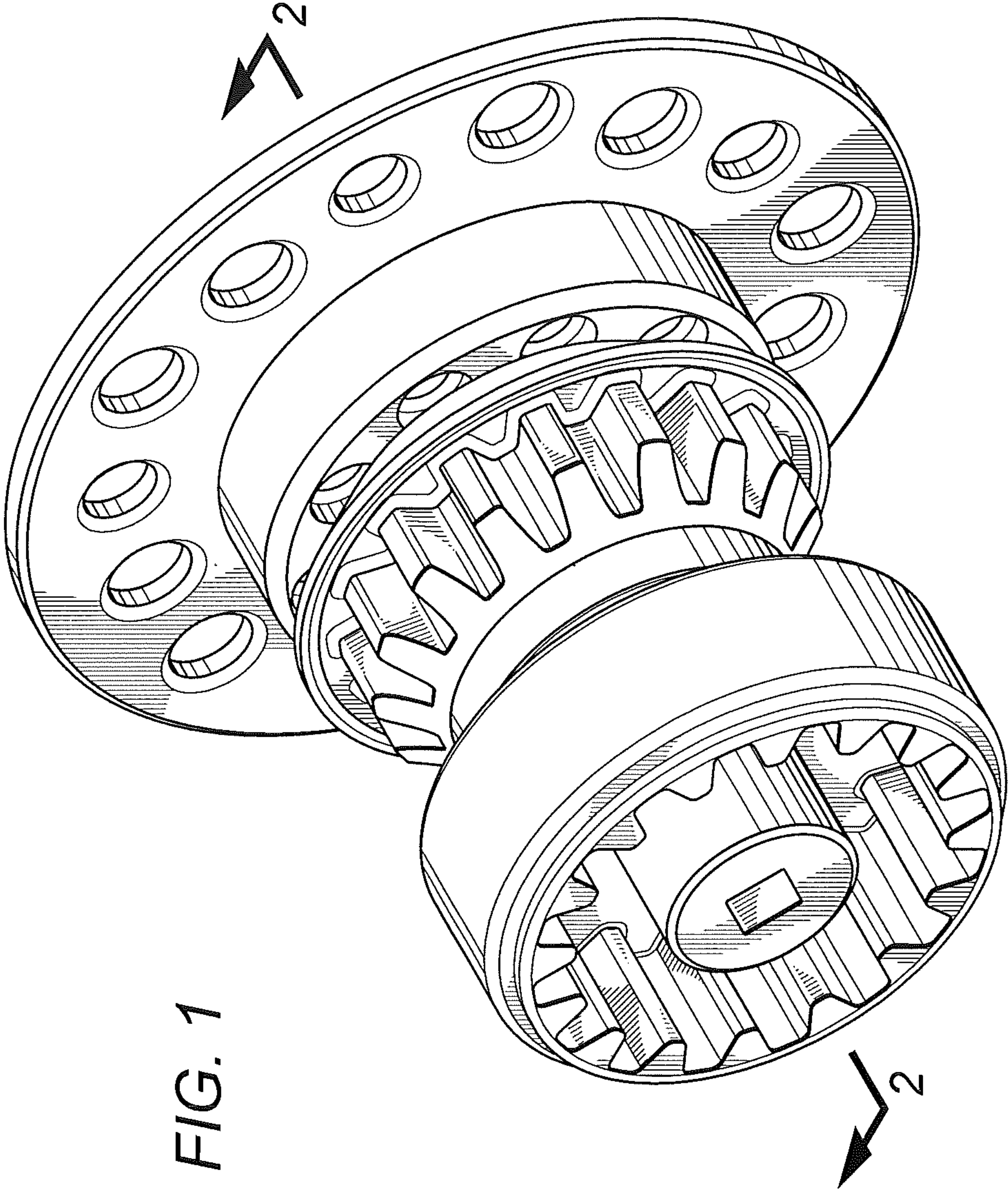


FIG. 1

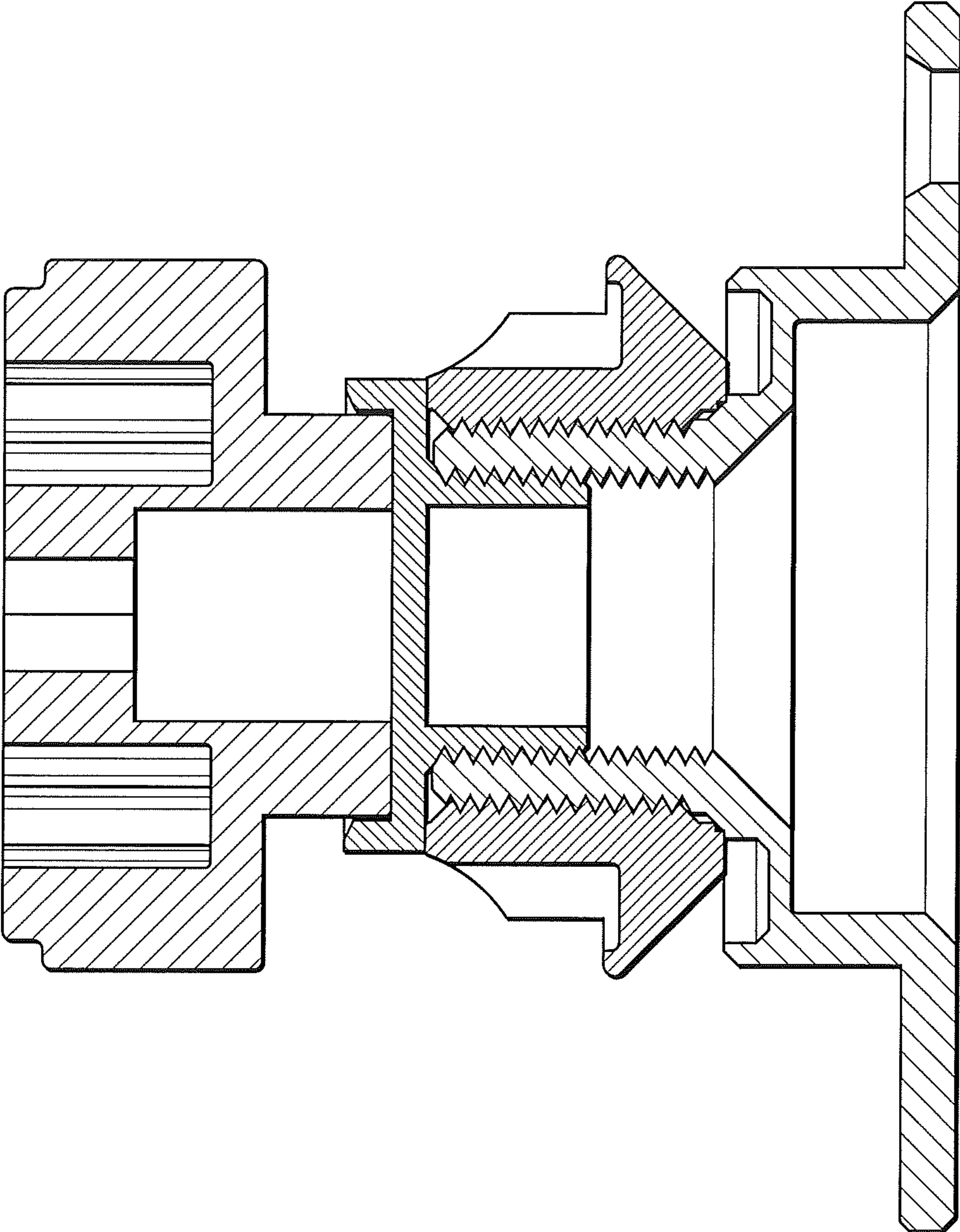


FIG. 2

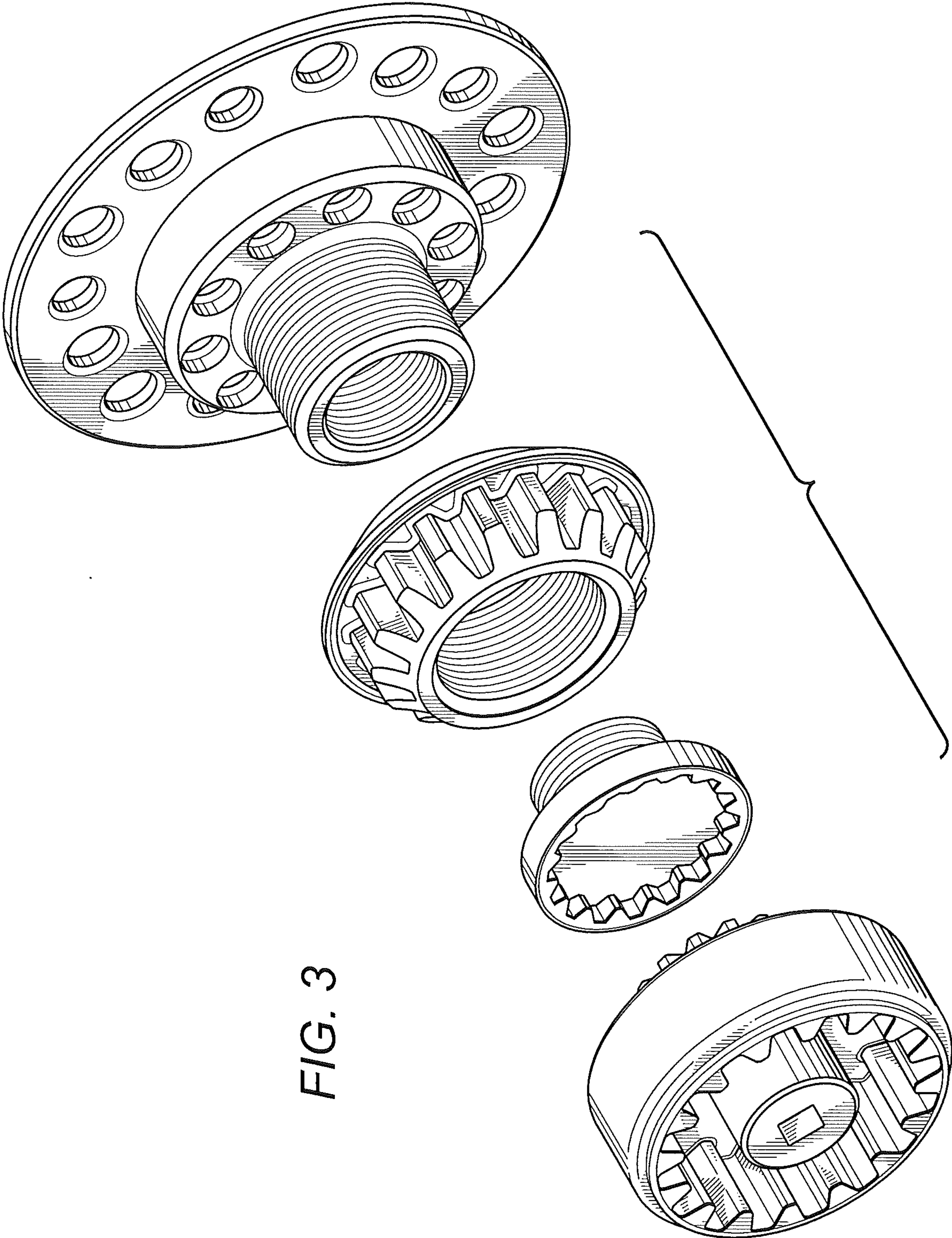


FIG. 3

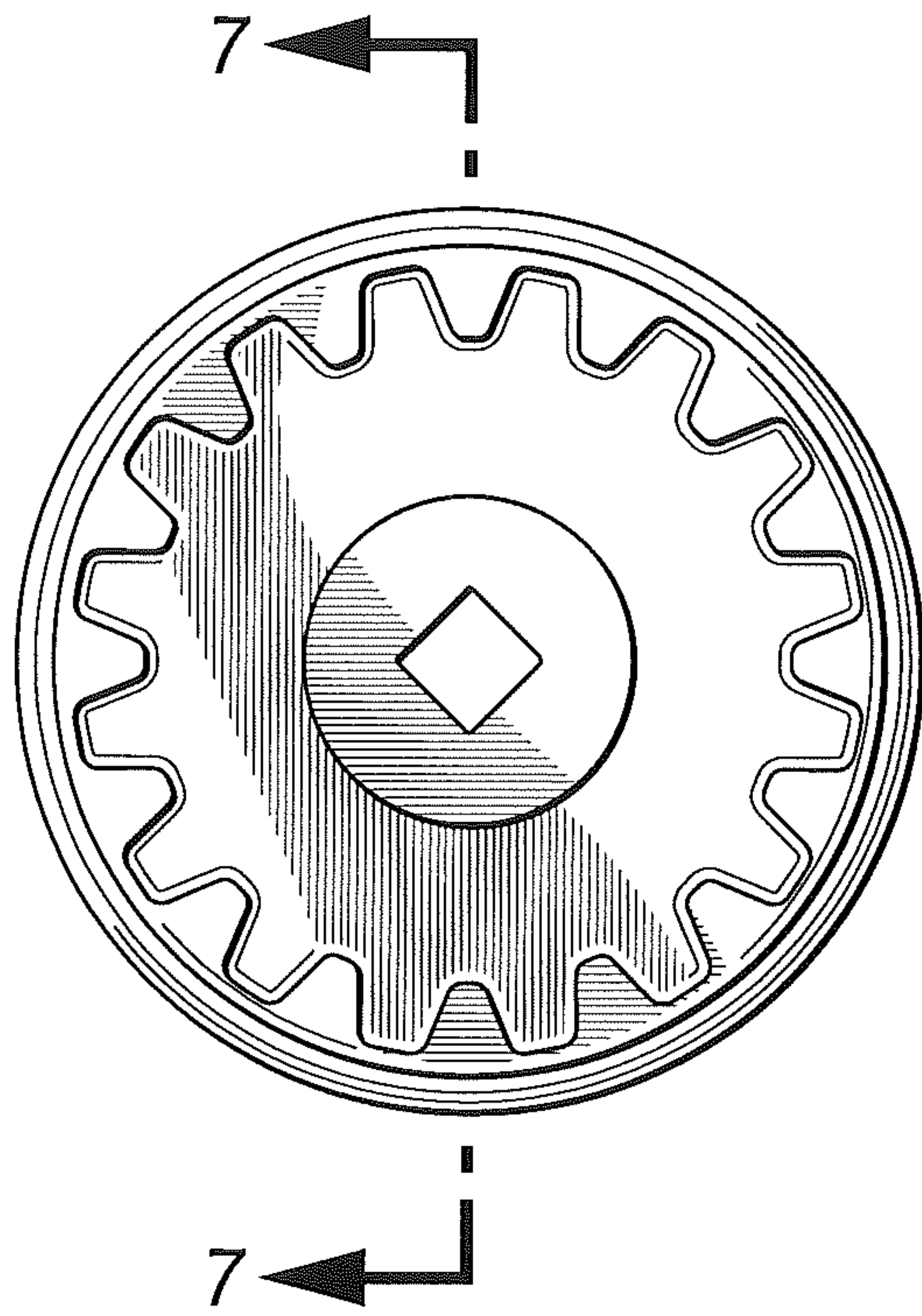


FIG. 4

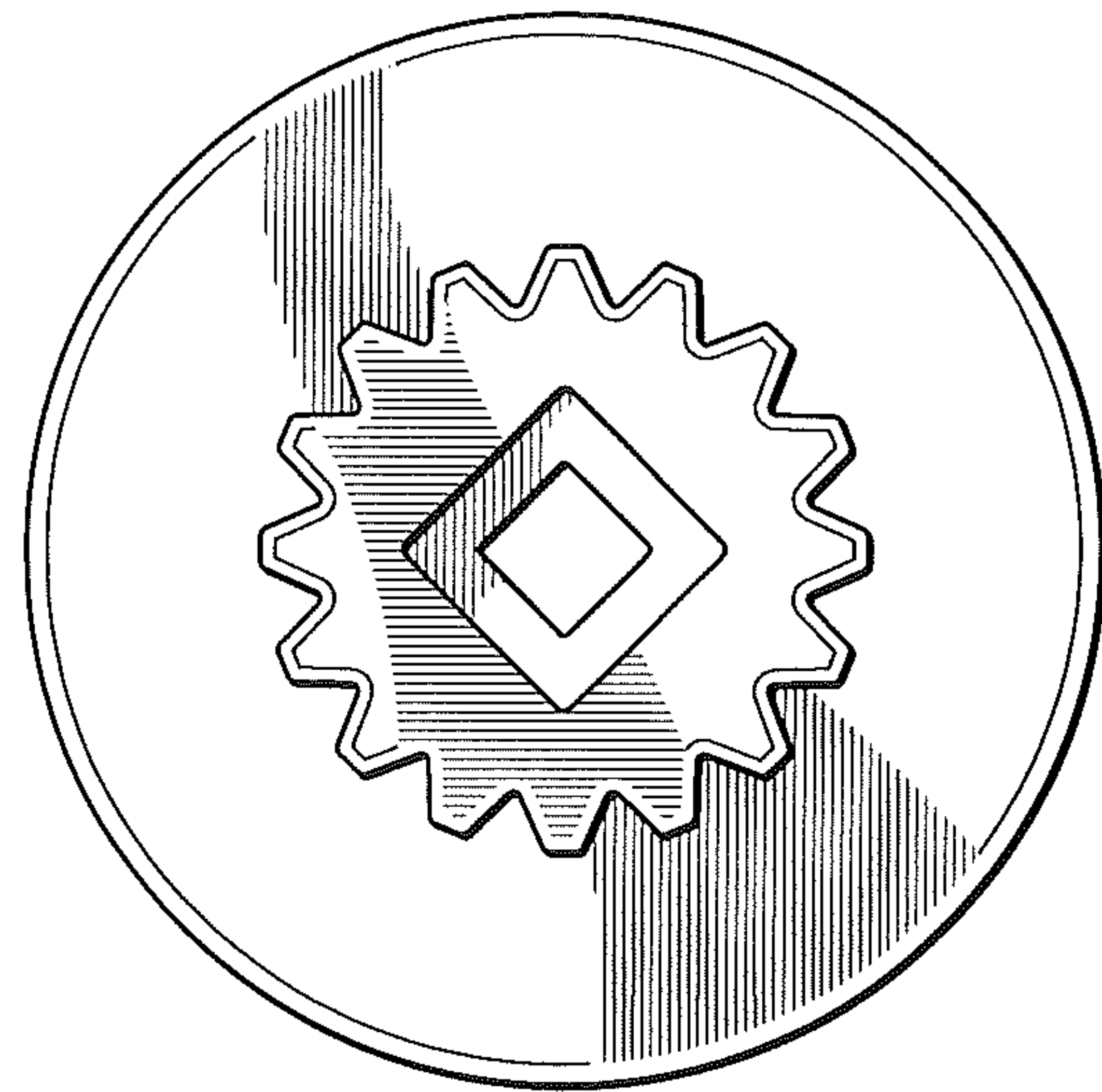


FIG. 5

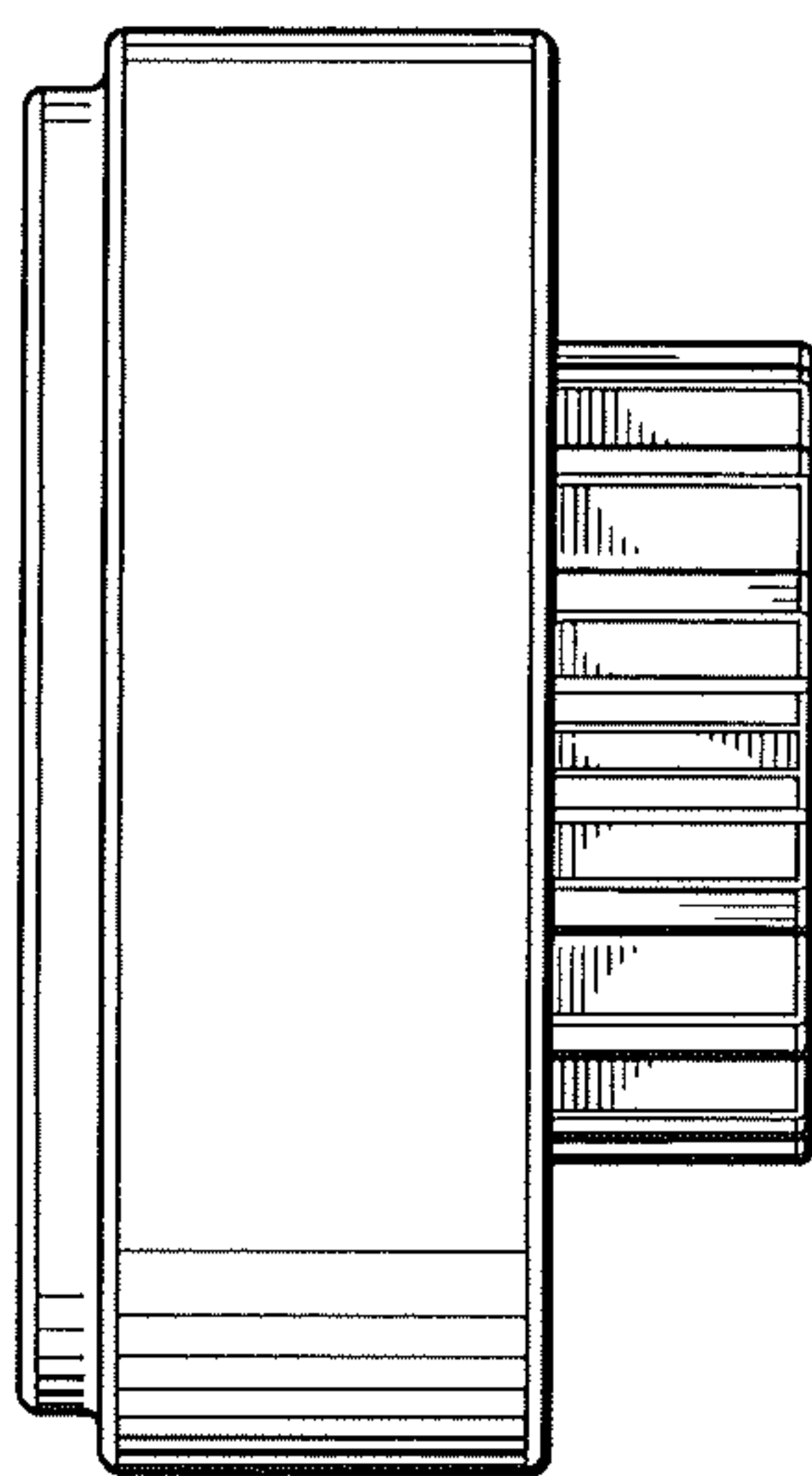


FIG. 6

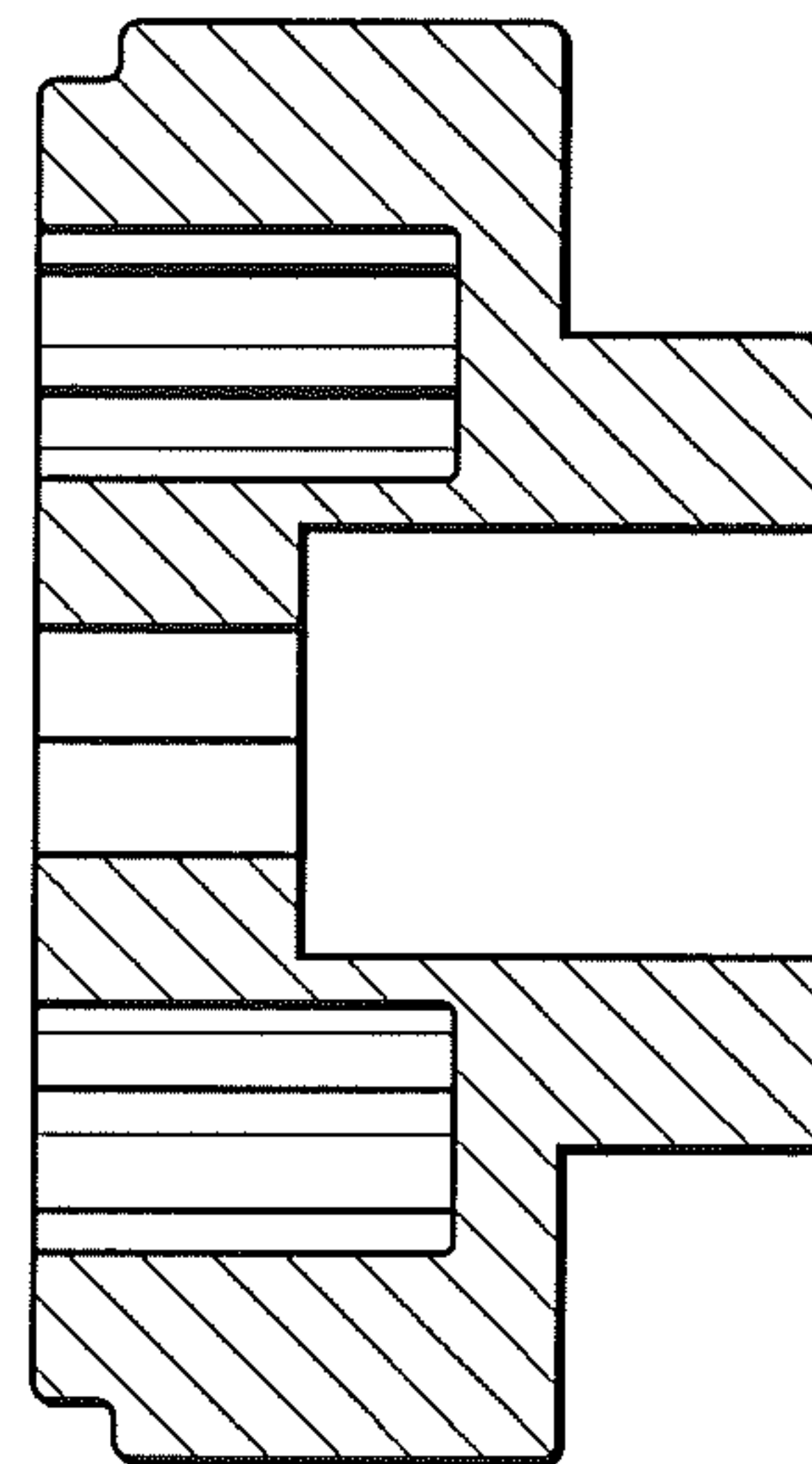


FIG. 7

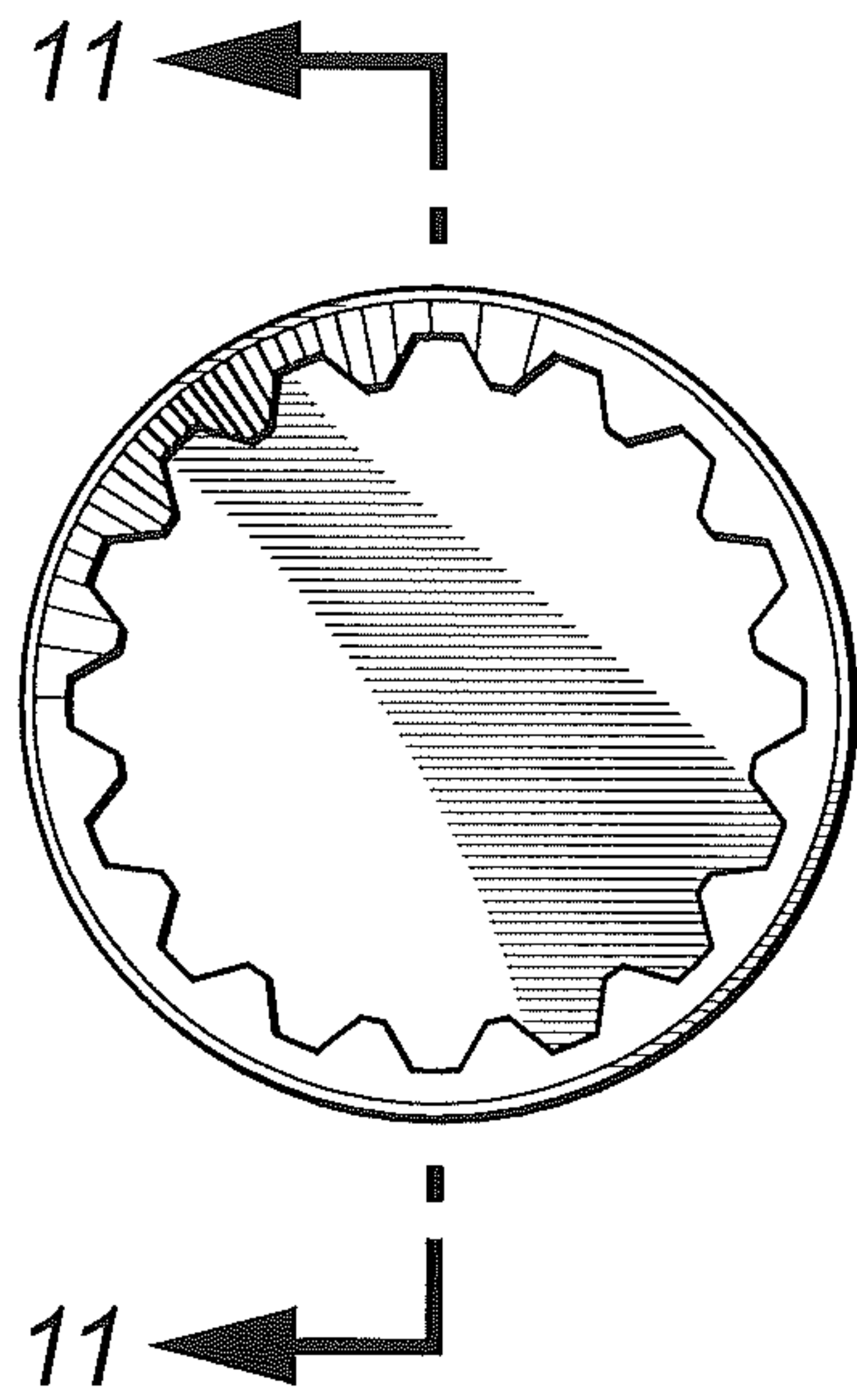


FIG. 8

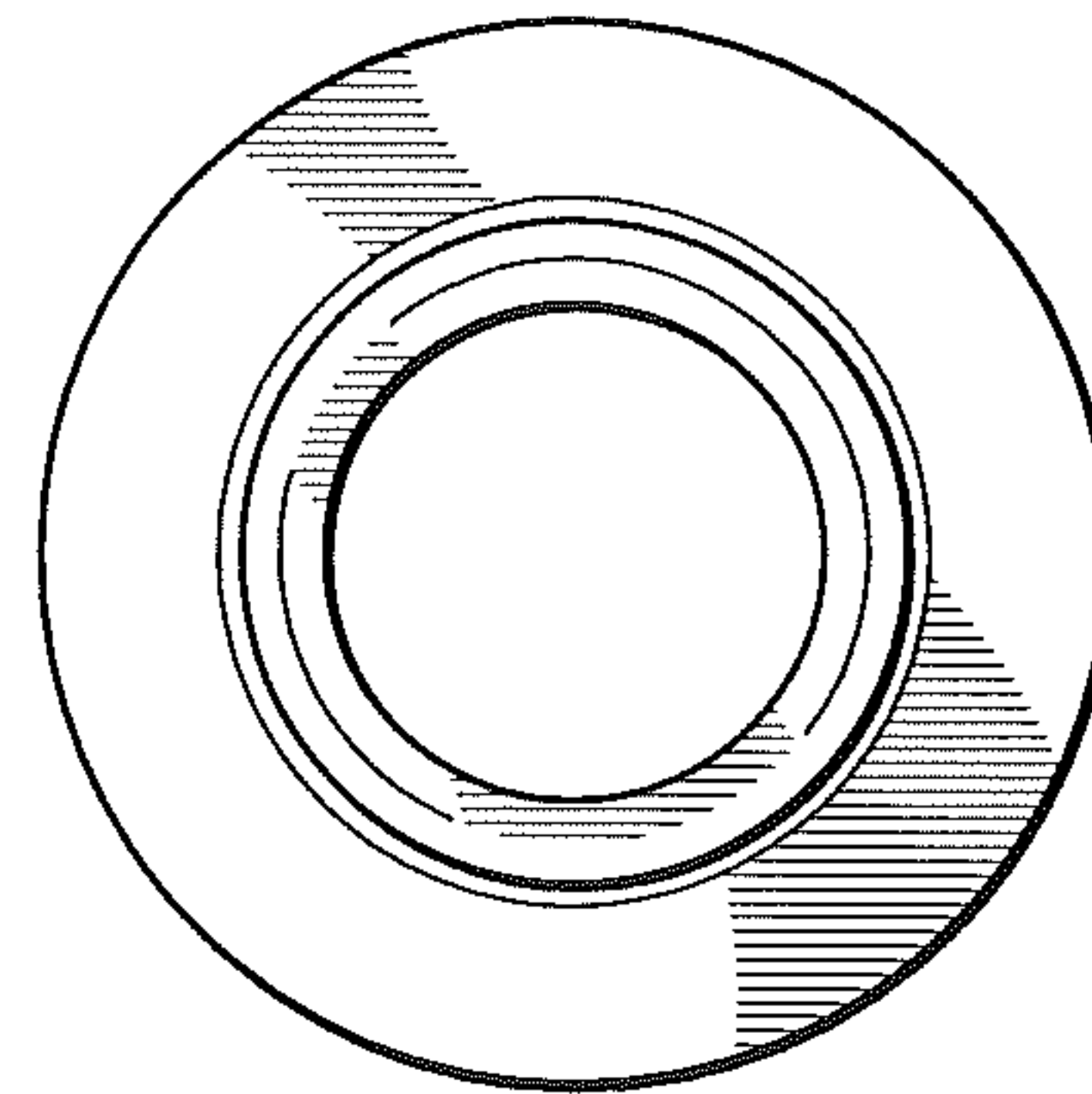


FIG. 9

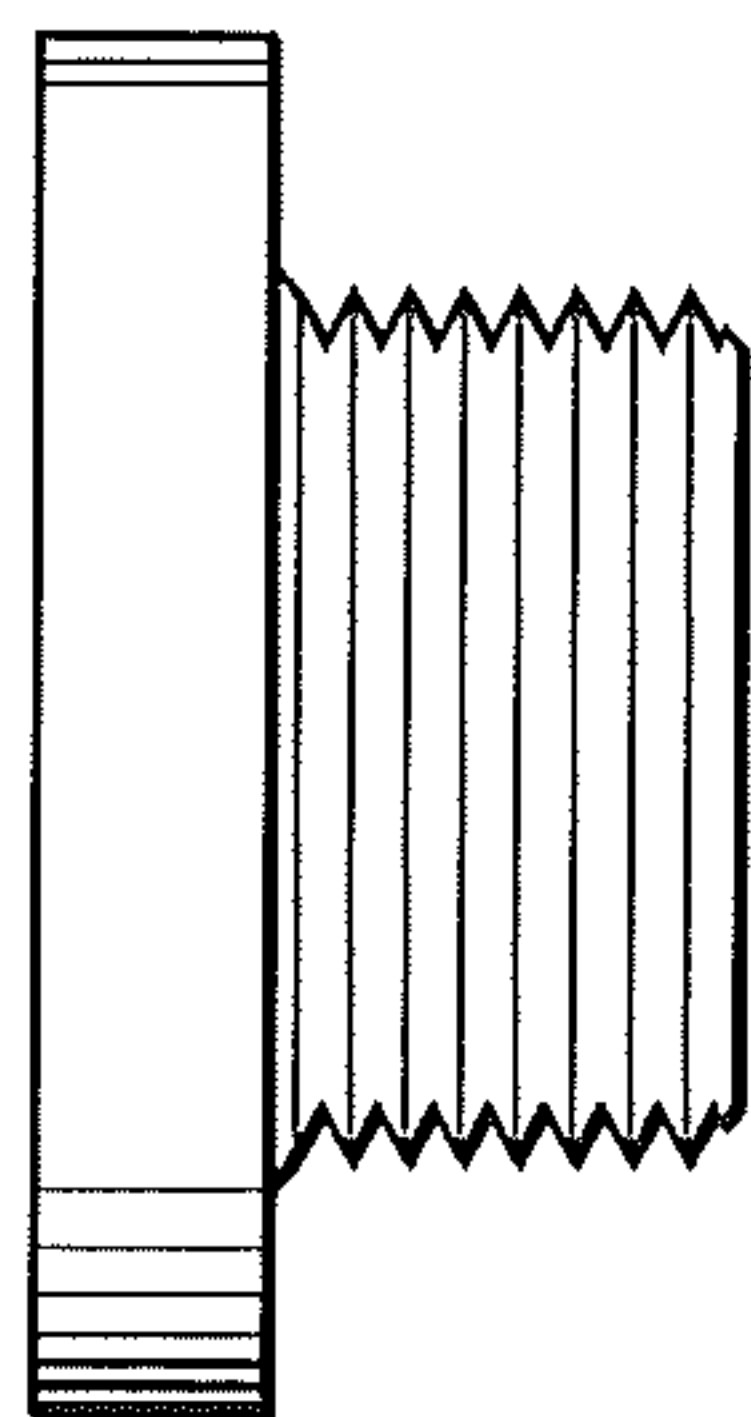


FIG. 10

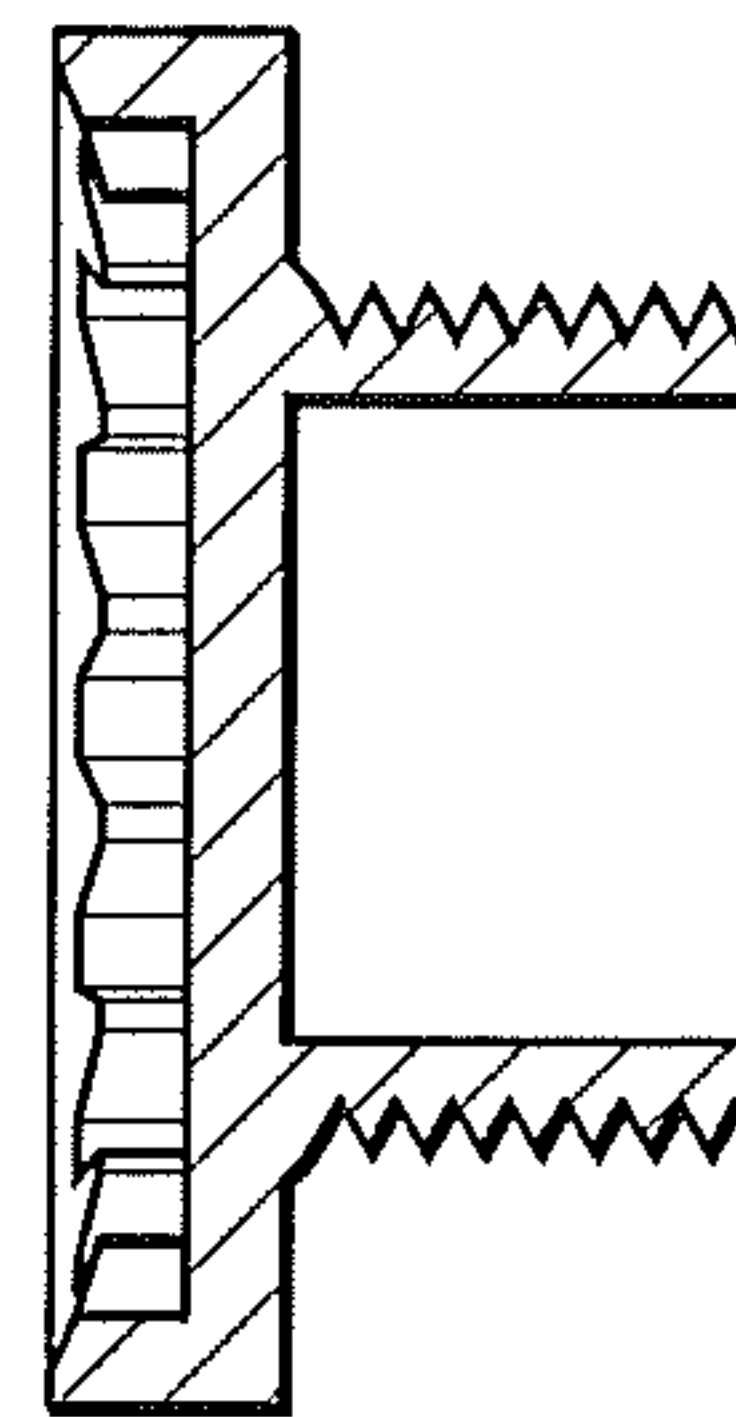


FIG. 11

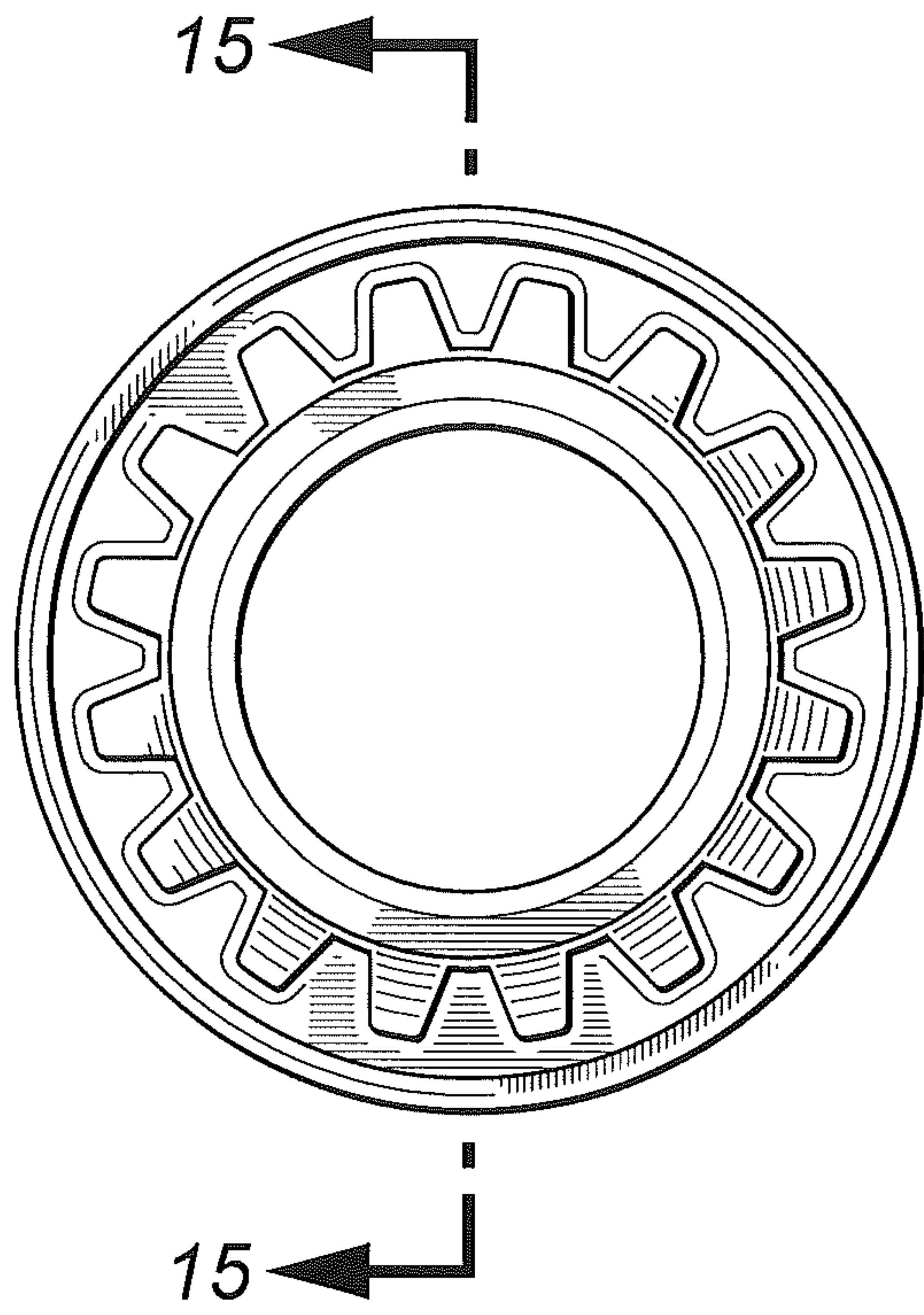


FIG. 12

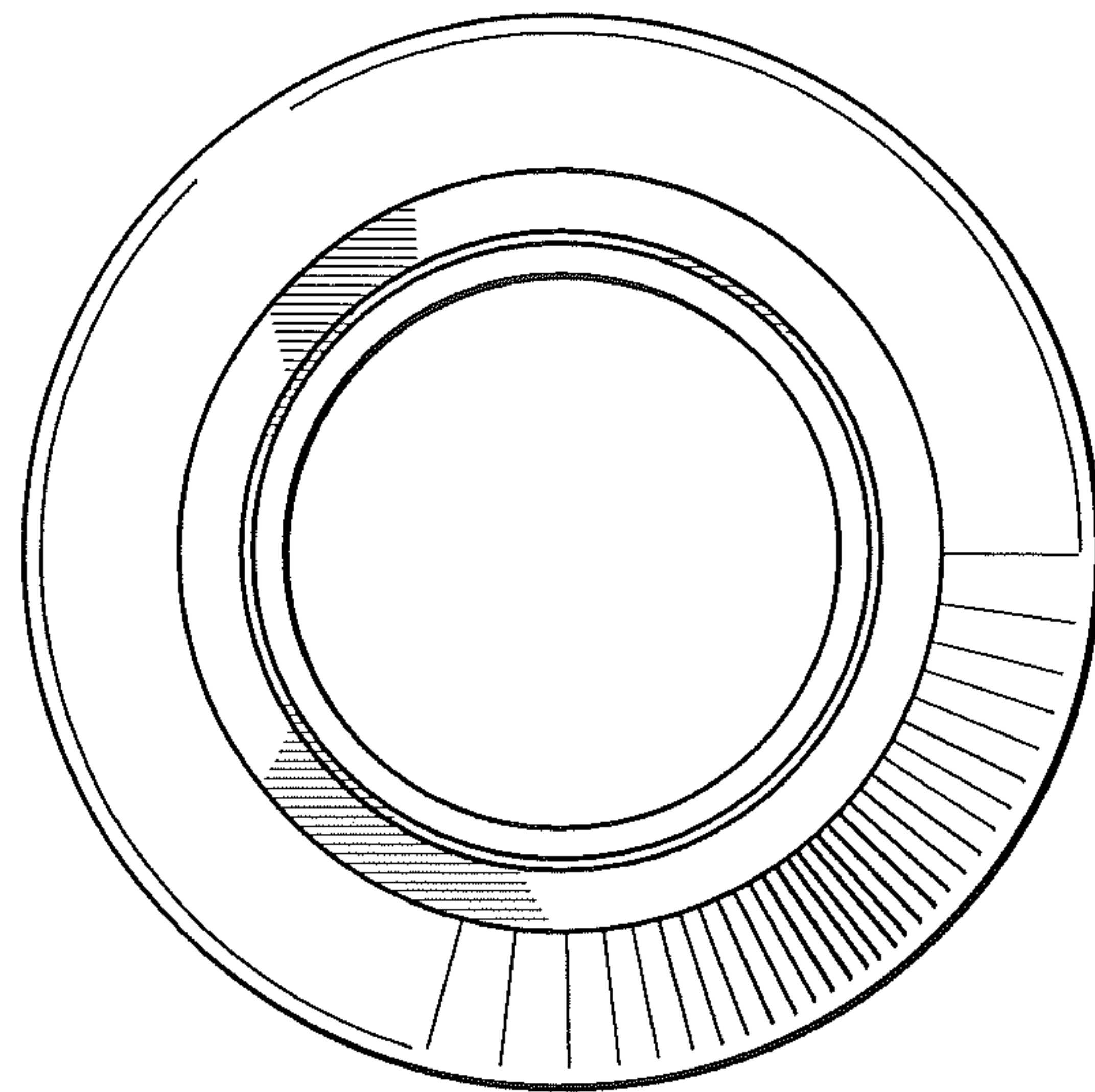


FIG. 13

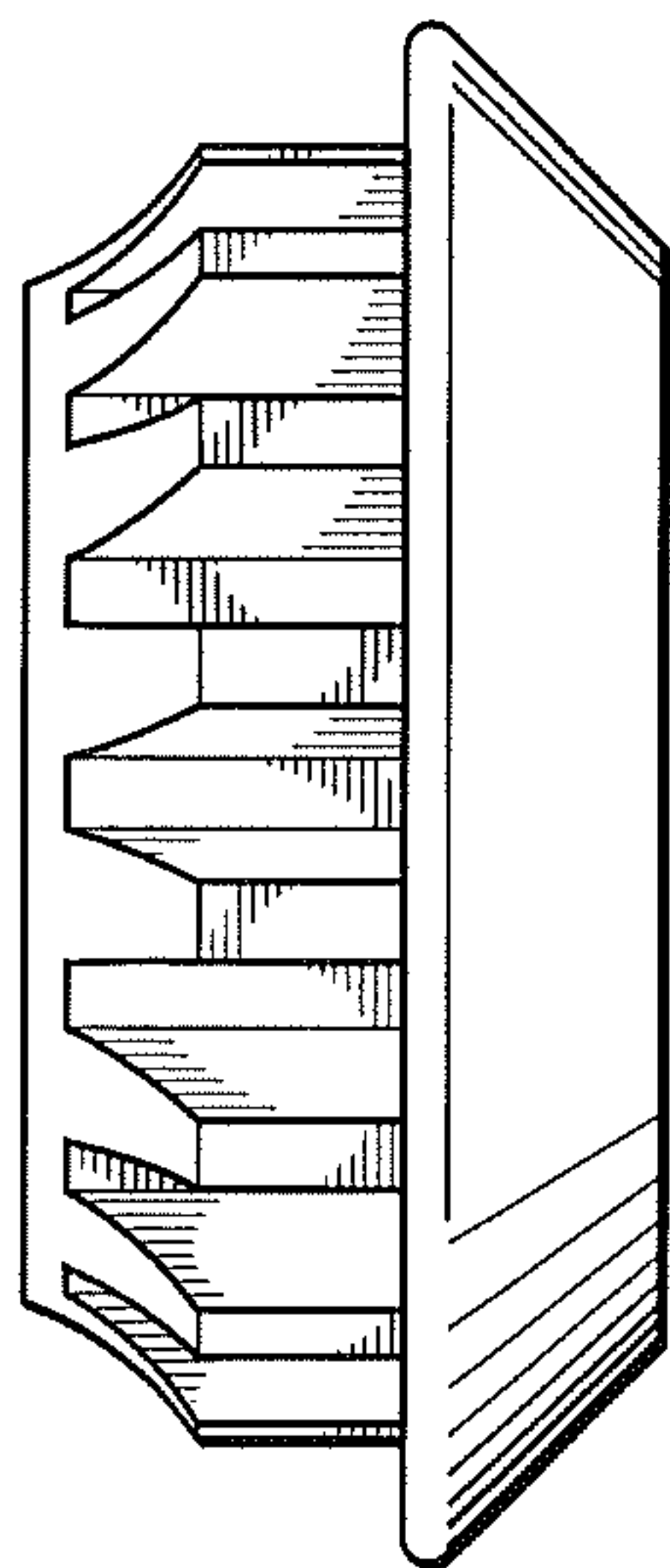


FIG. 14

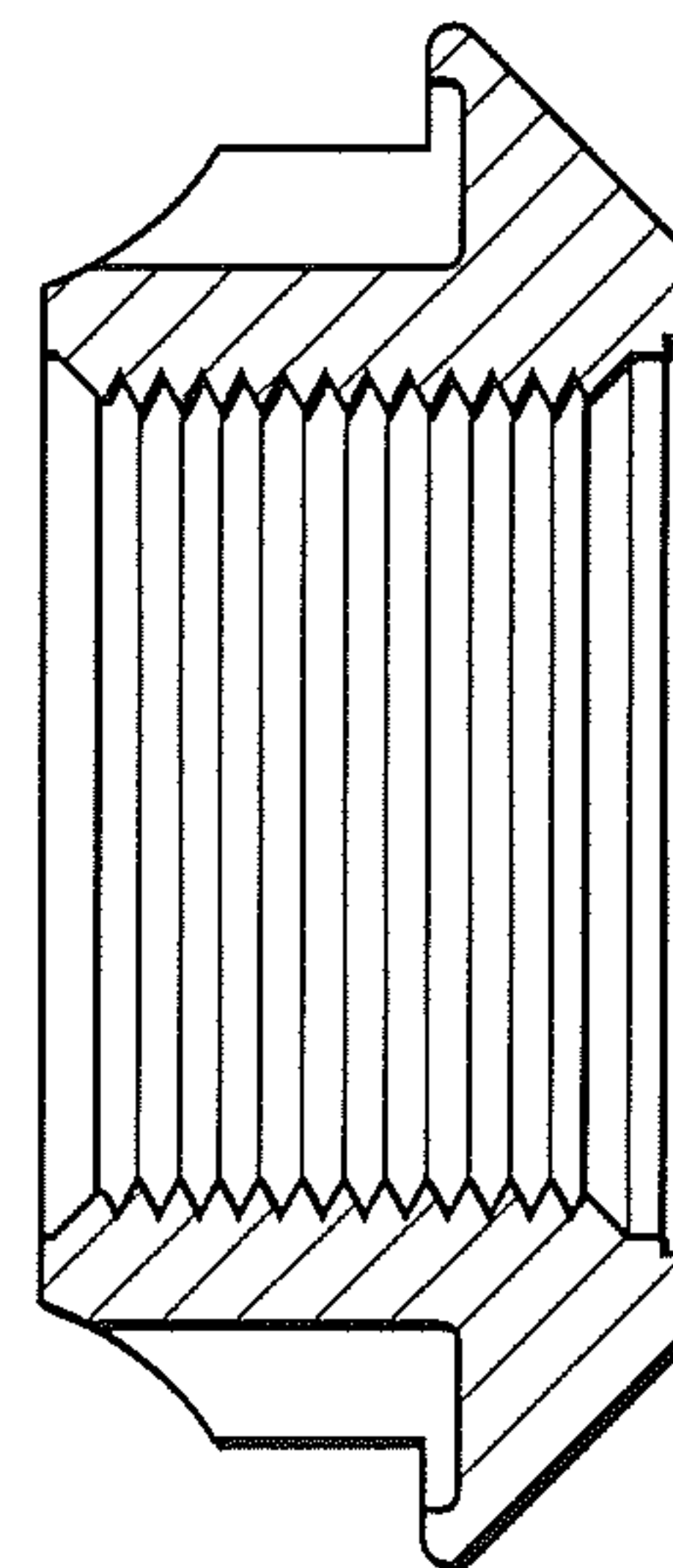


FIG. 15

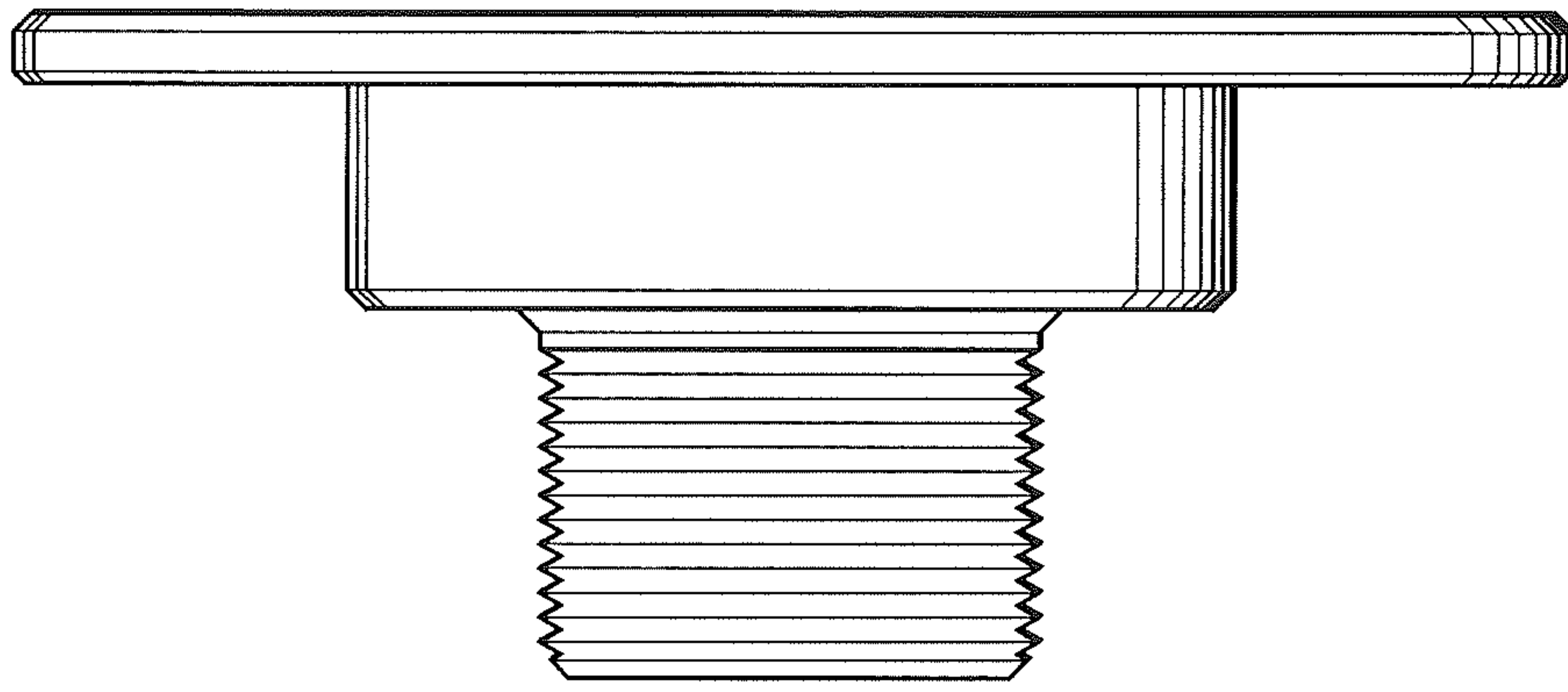


FIG. 18

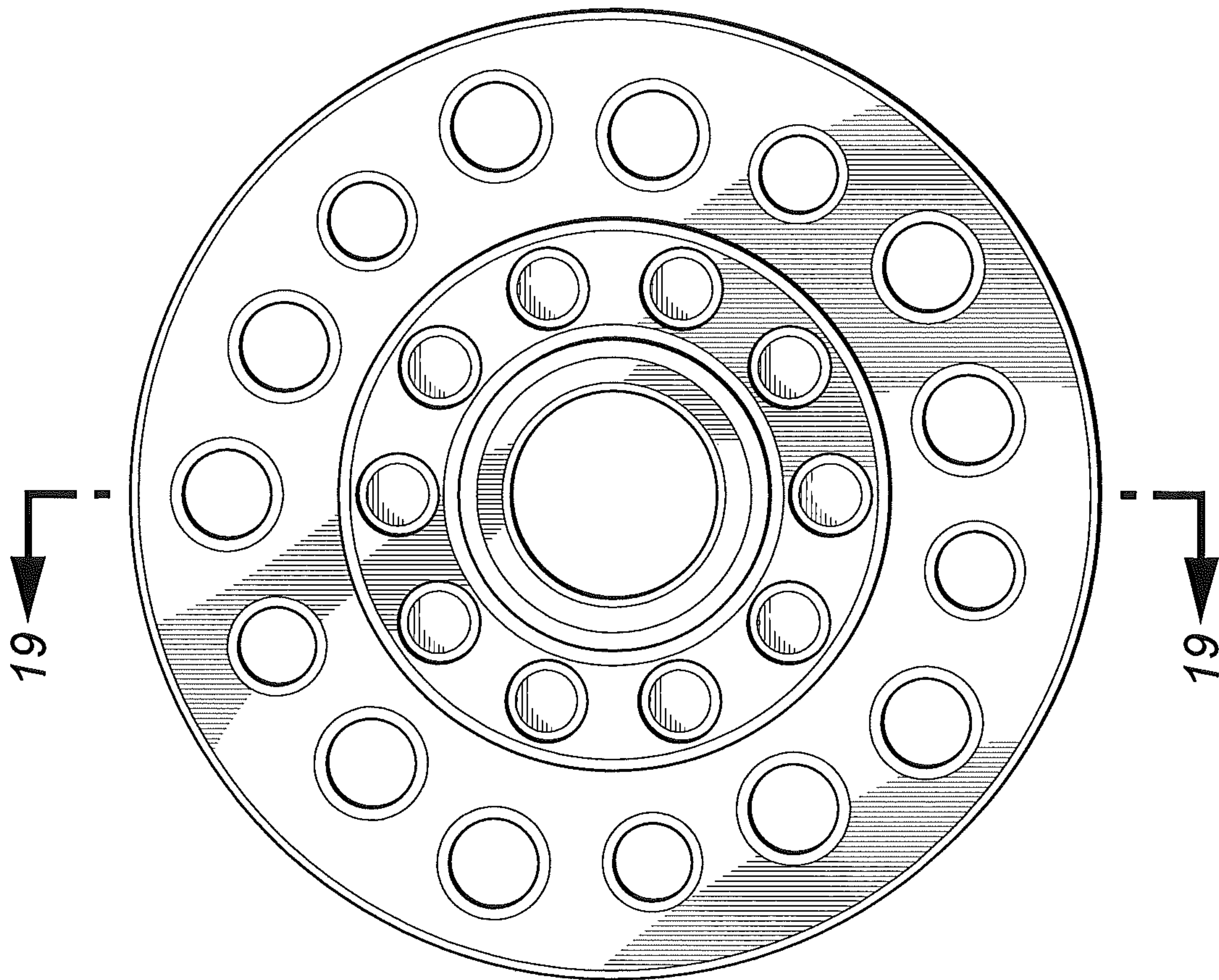


FIG. 16

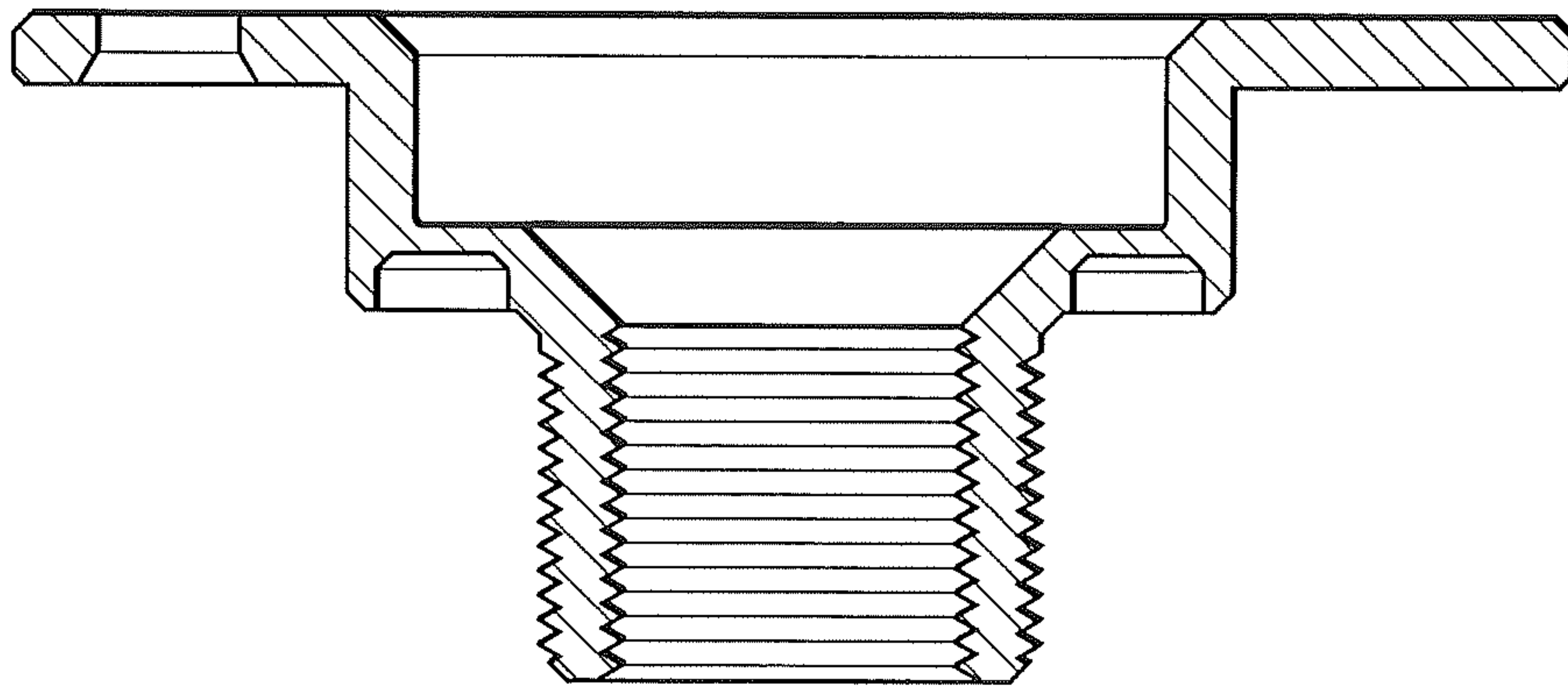


FIG. 19

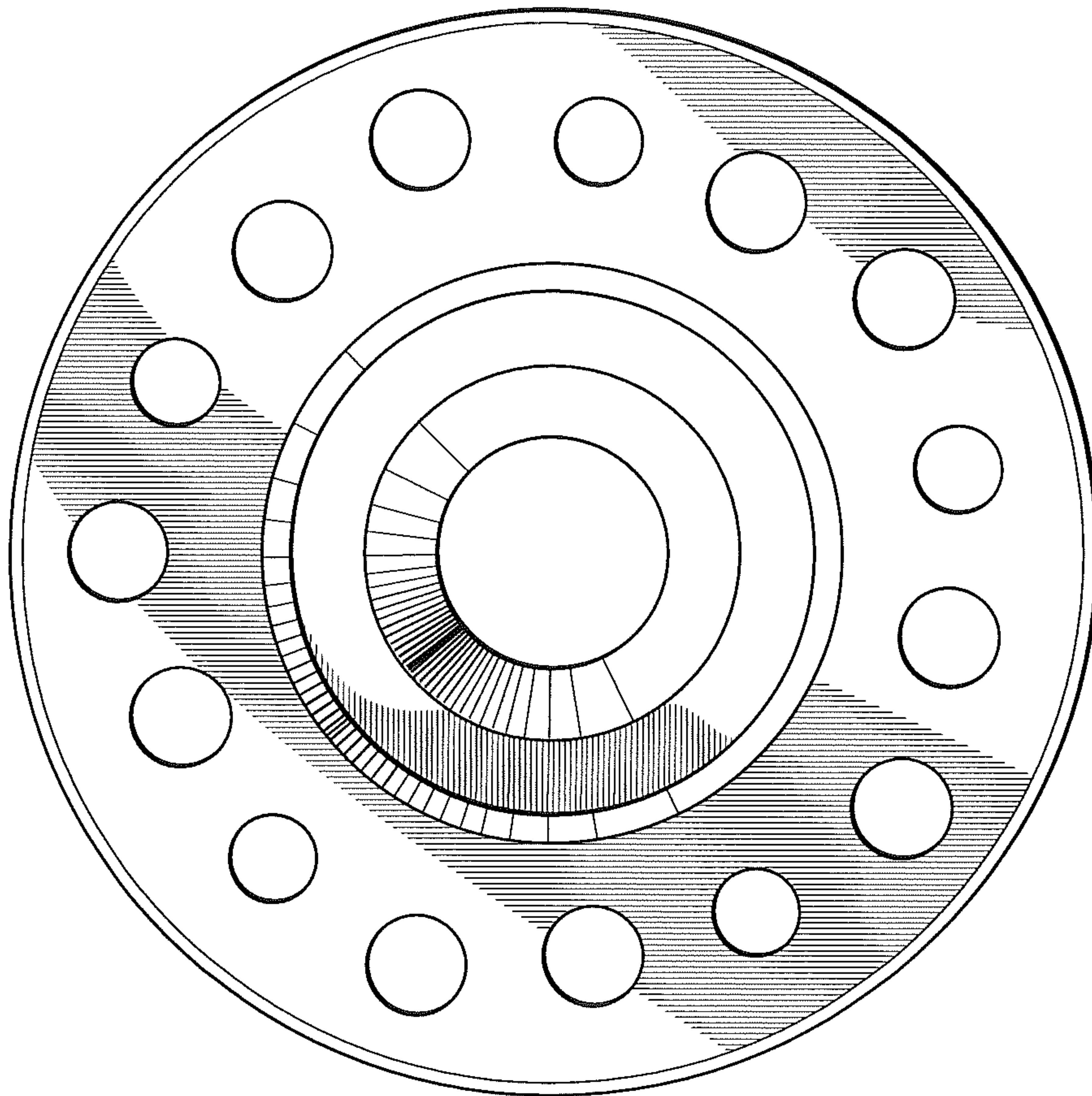


FIG. 17