



US00D877014S

(12) **United States Design Patent** (10) **Patent No.:** **US D877,014 S**
Harriton et al. (45) **Date of Patent:** **** Mar. 3, 2020**

(54) **VEHICLE SKID PLATE**
(71) Applicant: **StreetCar ORV, LLC**, Wixom, MI (US)
(72) Inventors: **David Harriton**, Missoula, MT (US); **Mark Stouffer**, Oakland Township, MI (US)
(73) Assignee: **StreetCar ORV LLC**, Wixom, MI (US)
(**) Term: **15 Years**
(21) Appl. No.: **29/668,328**
(22) Filed: **Oct. 30, 2018**
(51) **LOC (12) Cl.** **12-16**
(52) **U.S. Cl.**
USPC **D12/196**
(58) **Field of Classification Search**
USPC D12/608, 196, 190, 86, 90-92, 114, 163, D12/169, 171, 203, 400
CPC B62D 21/00; B62D 21/10; B62D 21/155; B62D 27/00; B60R 13/0861; B62J 23/00; B62K 11/04; B62K 25/04
See application file for complete search history.

D509,466 S * 9/2005 Marchese D12/196
D580,319 S * 11/2008 Gueler D12/169
D616,797 S * 6/2010 Lamm D12/196
D690,639 S * 10/2013 Messale D12/196
D740,719 S * 10/2015 Schanz D12/114
D743,856 S * 11/2015 Ma D12/171
D800,621 S * 10/2017 Bucher D12/196
D828,262 S * 9/2018 Yates D12/196
2015/0314824 A1* 11/2015 LeBreton B62K 19/34 280/304.3

* cited by examiner

Primary Examiner — Michelle E. Wilson
Assistant Examiner — Clese Moore, Jr.
(74) *Attorney, Agent, or Firm* — Quinn IP Law

(57) **CLAIM**

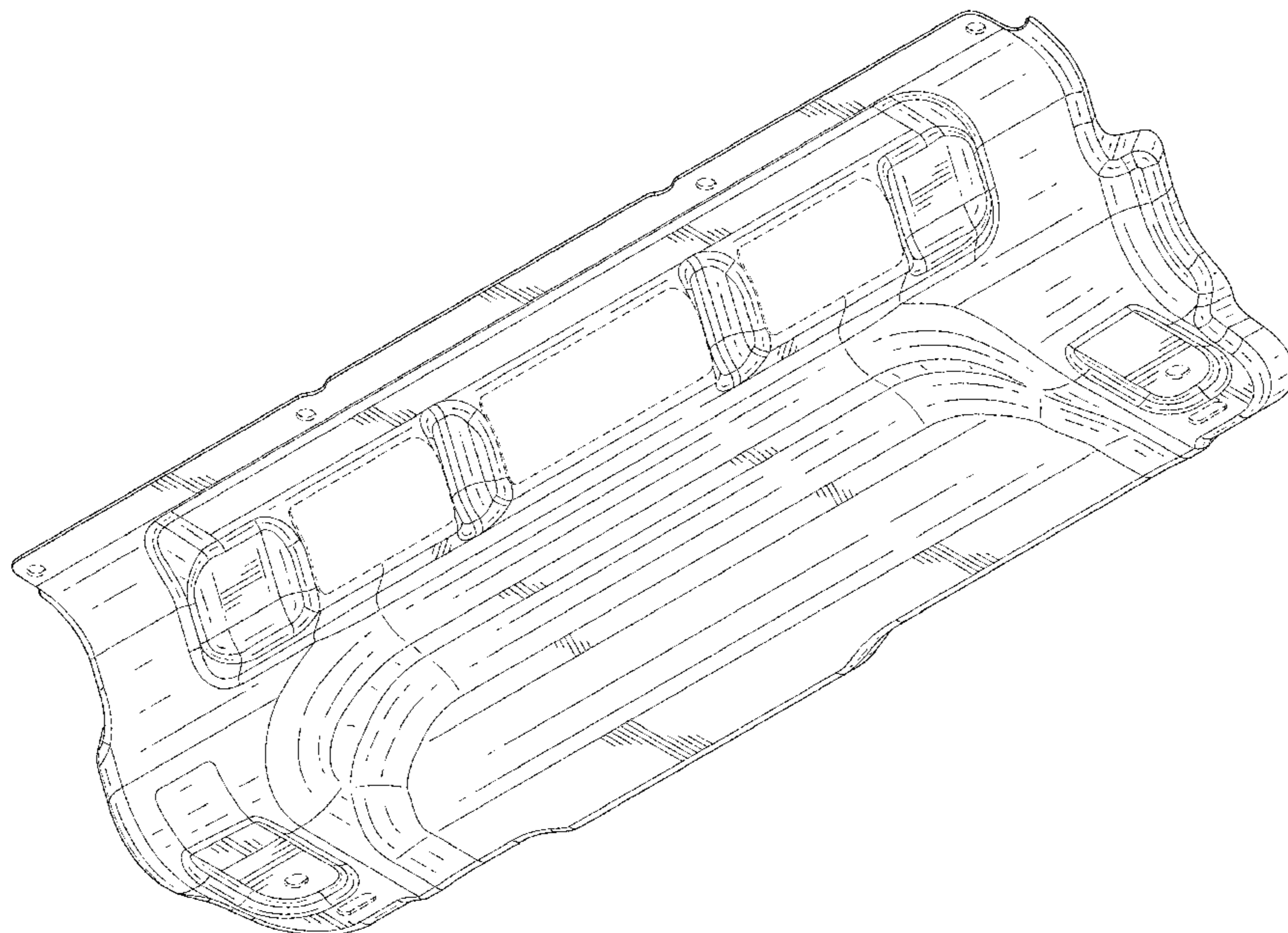
The ornamental design for a vehicle skid plate, as shown and described.

DESCRIPTION

FIG. 1 is a front, left, and bottom perspective view of a vehicle skid plate showing our new design;
FIG. 2 is a front elevation view of the vehicle skid plate of FIG. 1;
FIG. 3 is a rear elevation view of the vehicle skid plate of FIG. 1;
FIG. 4 is a right side view of the vehicle skid plate of FIG. 1;
FIG. 5 is a left side view of the vehicle skid plate of FIG. 1;
FIG. 6 is a top view of the vehicle skid plate of FIG. 1;
FIG. 7 is a bottom view of the vehicle skid plate of FIG. 1; and,
FIG. 8 is a rear, left, and top perspective view of the vehicle skid plate of FIG. 1.
The broken lines represent structure or features that form no part of the claimed design.

1 Claim, 6 Drawing Sheets

(56) **References Cited**
U.S. PATENT DOCUMENTS
D474,726 S * 5/2003 Weber D12/14
D476,934 S * 7/2003 Murkett D12/196
D487,041 S * 2/2004 Schlachter D12/196
D488,415 S * 4/2004 Gough D12/190
D488,756 S * 4/2004 Gough D12/196
D488,757 S * 4/2004 Gough D12/196
D488,758 S * 4/2004 Gough D12/196
D508,668 S * 8/2005 Marchese D12/196
D508,669 S * 8/2005 Marchese D12/196



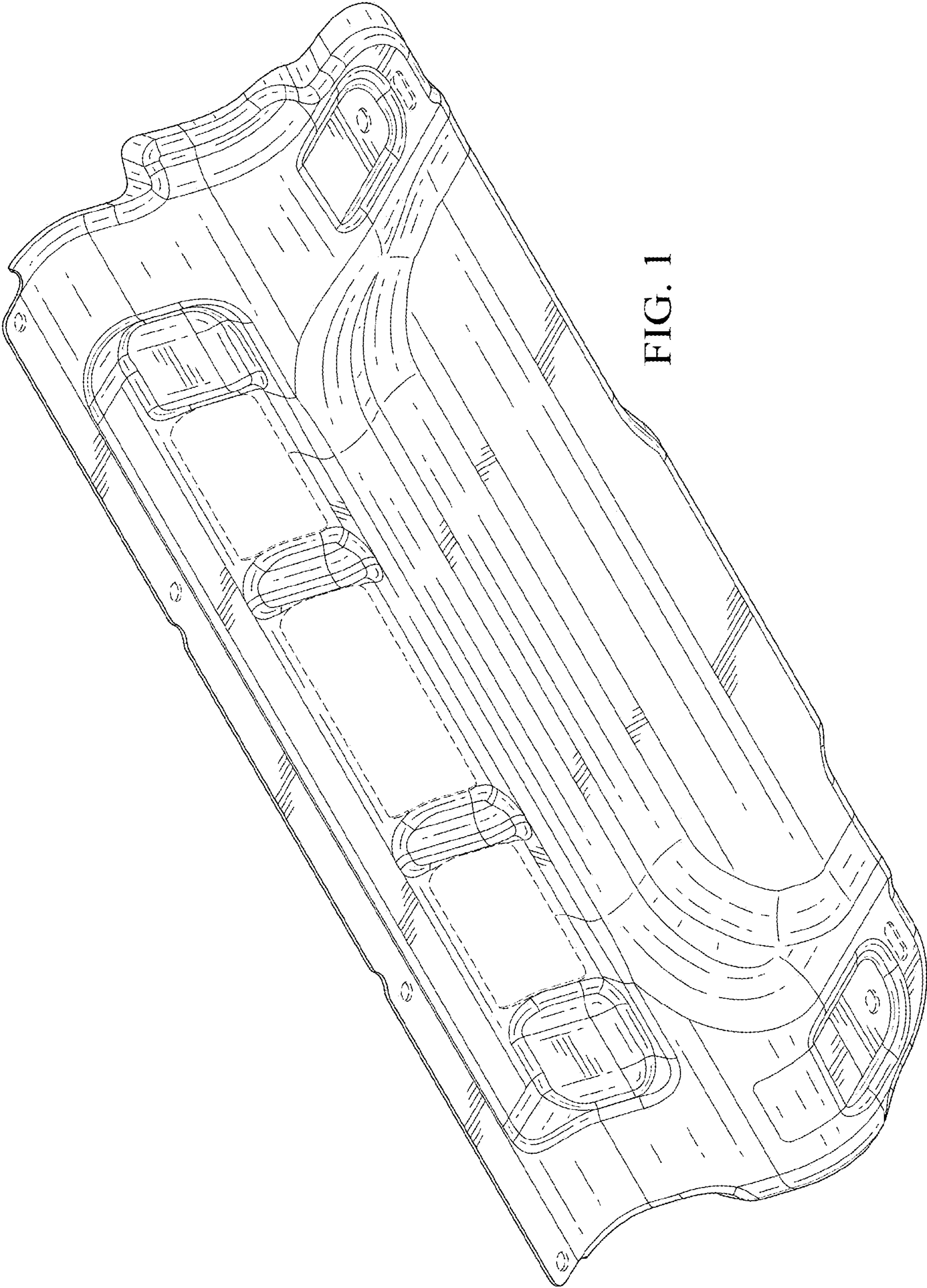


FIG. 1

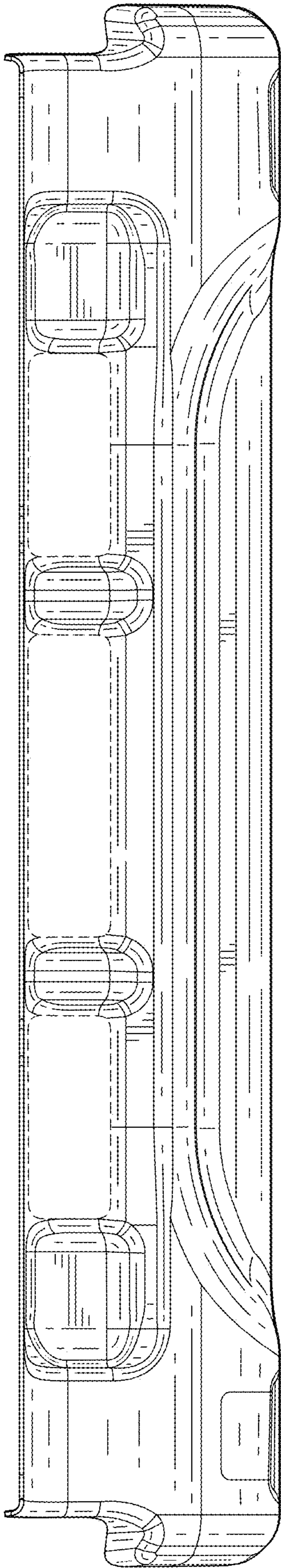


FIG. 2

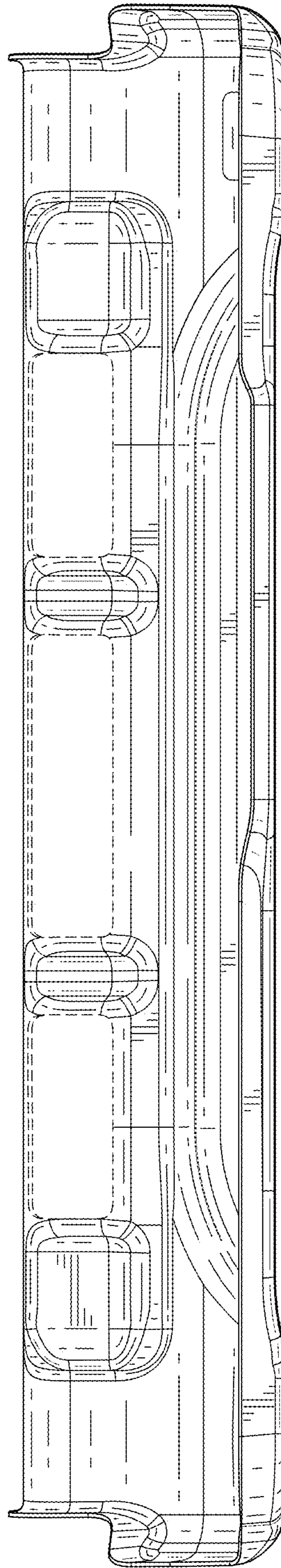


FIG. 3

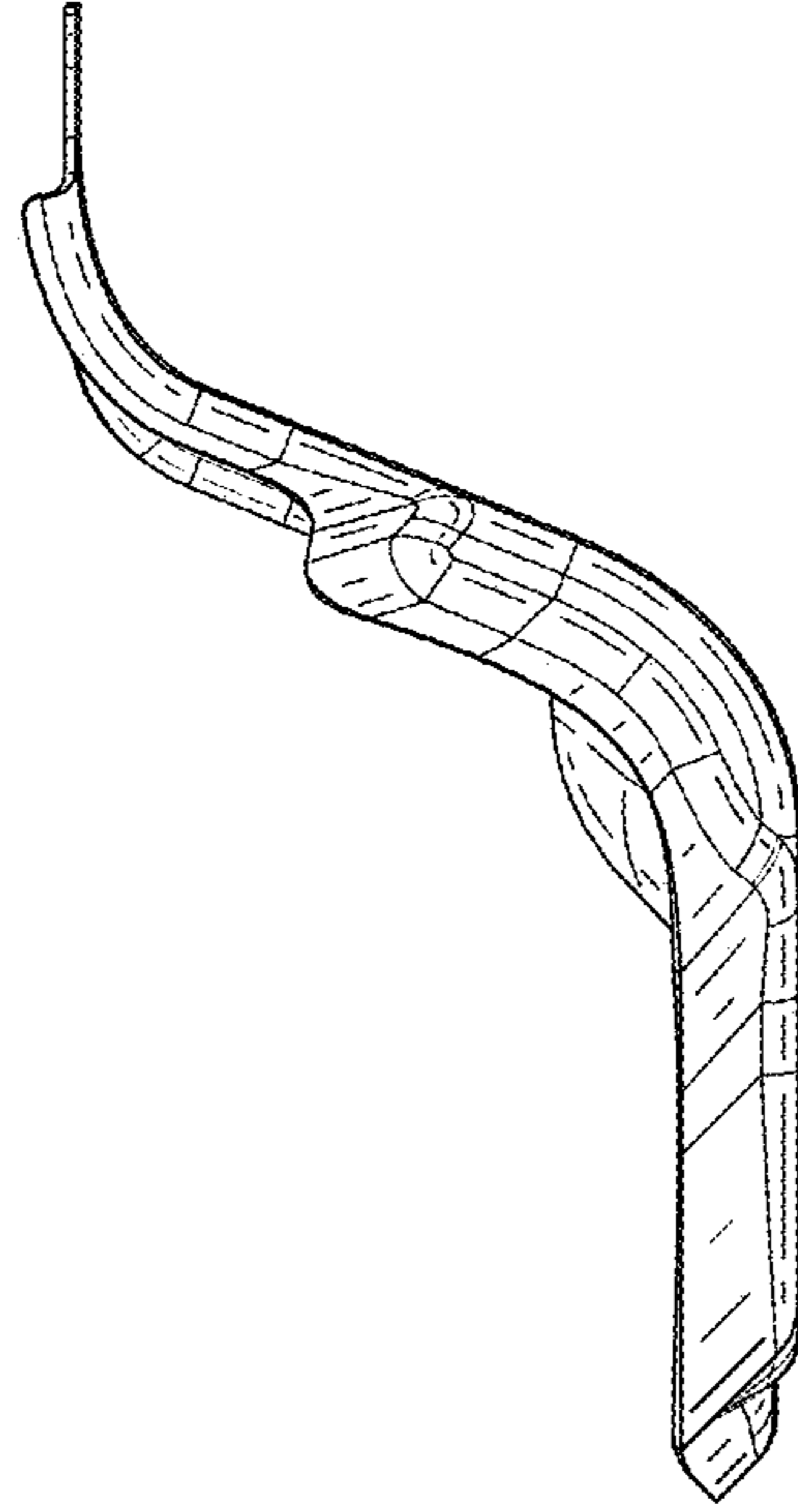


FIG. 5

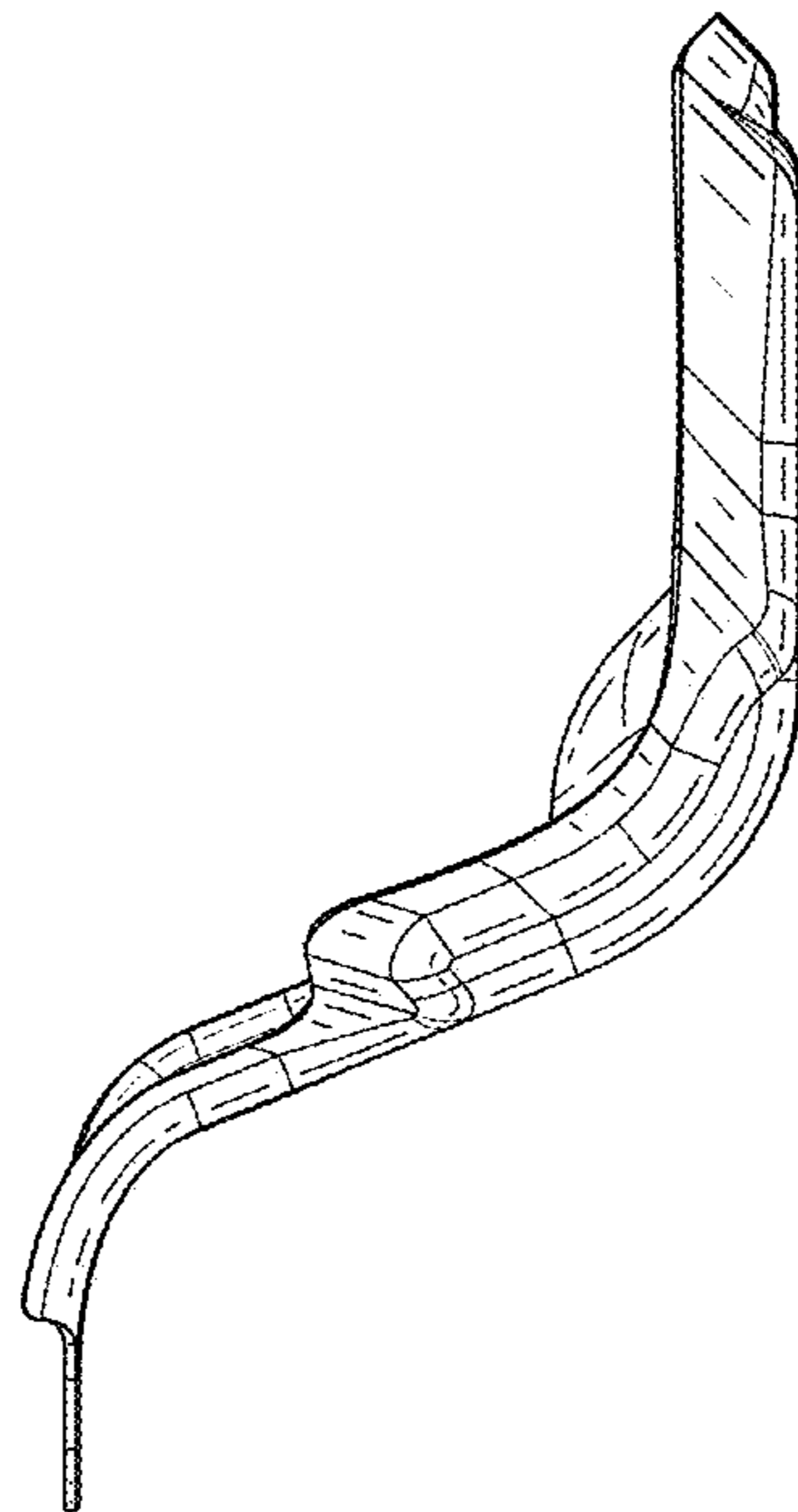


FIG. 4

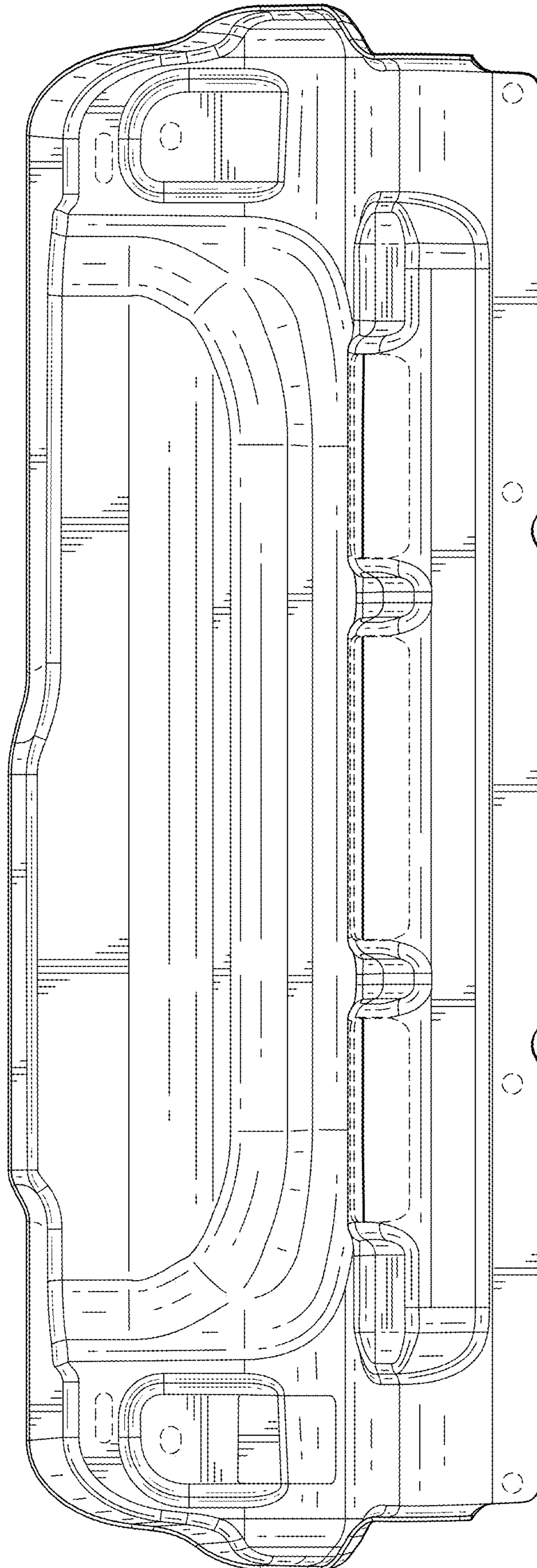


FIG. 6

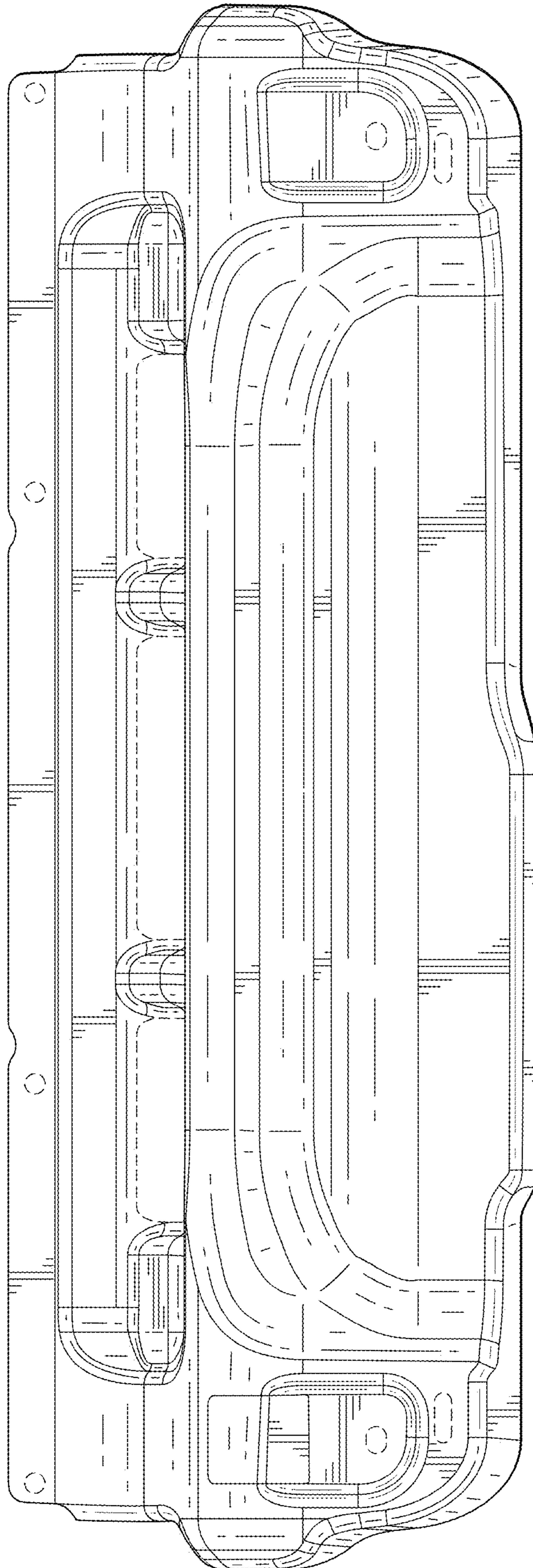


FIG. 7

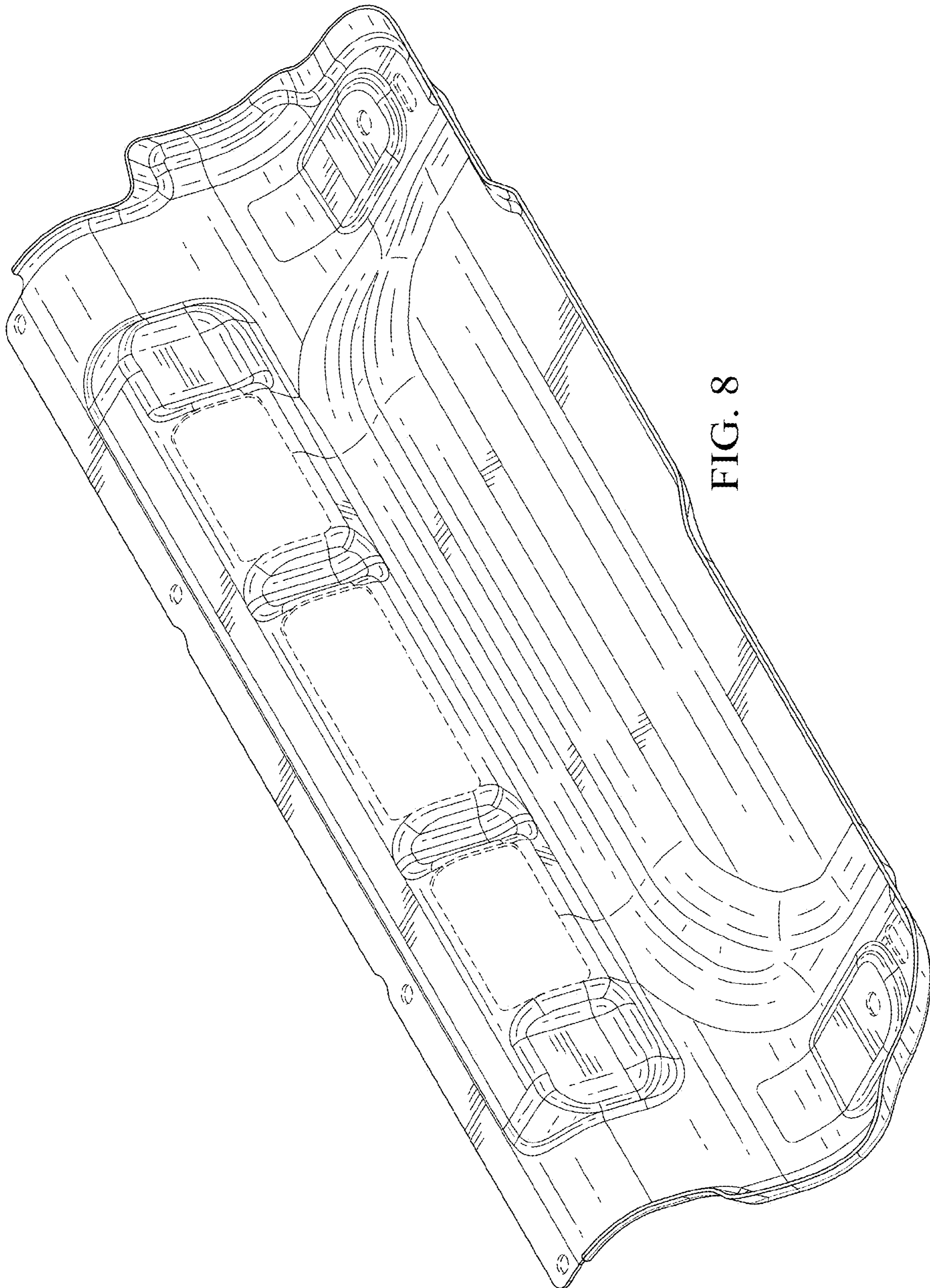


FIG. 8