



US00D877012S

(12) **United States Design Patent** (10) **Patent No.:** **US D877,012 S**
Ali et al. (45) **Date of Patent:** **** Mar. 3, 2020**

(54) **INSTRUMENT PANEL**
(71) Applicant: **Rivian IP Holdings, LLC**, Plymouth, MI (US)
(72) Inventors: **Zulfiquar Ali**, West Bloomfield, MI (US); **Roman Mistiuk**, Westland, MI (US)
(73) Assignee: **Rivian IP Holdings, LLC**, Plymouth, MI (US)
(**) Term: **15 Years**
(21) Appl. No.: **29/669,976**
(22) Filed: **Nov. 13, 2018**
(51) **LOC (12) Cl.** **12-16**
(52) **U.S. Cl.**
USPC **D12/192**
(58) **Field of Classification Search**
USPC D12/192, 415, 114, 345; D15/17, 28; D10/46, 98, 102-103, 122-127; D23/324
CPC B60H 1/34; B60H 1/3407; B60H 1/3414; B60H 1/3421; B60H 1/3428; B60H 1/3435; B60H 1/3442; B60H 1/345; B60H 1/3457; B60H 2001/3464; B60H 2001/3471; B60H 2001/3478; B60H 2001/3485
See application file for complete search history.

(56) **References Cited**
U.S. PATENT DOCUMENTS
D218,770 S * 9/1970 Kelly D7/395
D378,910 S * 4/1997 Black D12/192

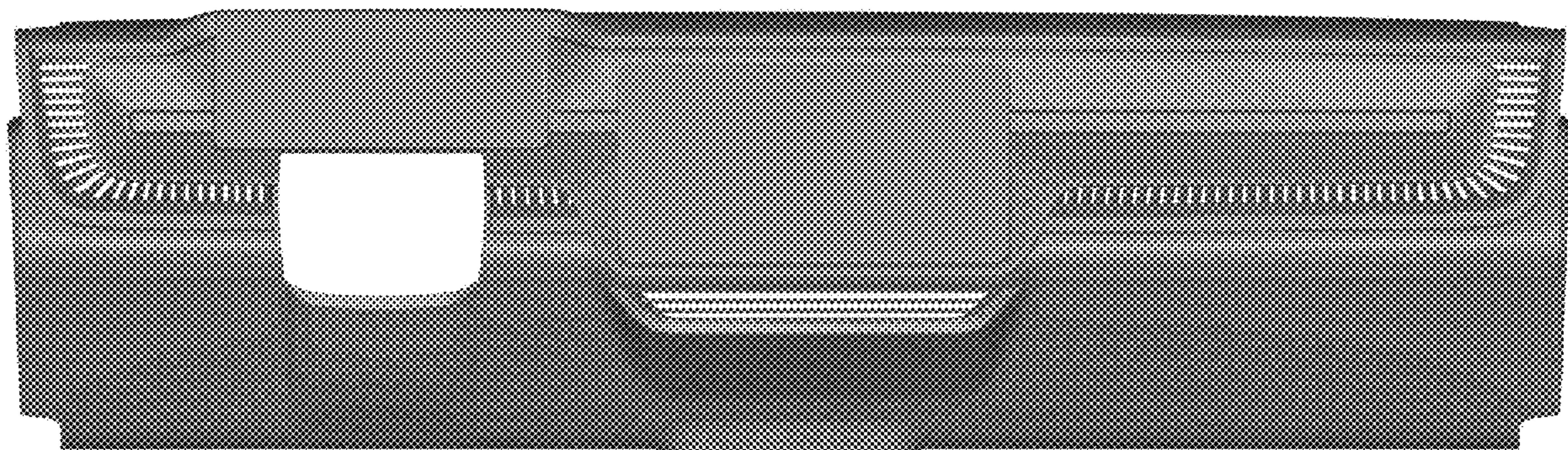
D826,122 S * 8/2018 Yamamoto D12/192
D826,814 S * 8/2018 Von Holzhausen D12/192
D830,927 S * 10/2018 Tanaka D12/192
D847,057 S * 4/2019 Kono D12/192
D849,621 S * 5/2019 Iwao D12/192
D853,919 S * 7/2019 Hazumi D12/192
D858,390 S * 9/2019 Kato D12/192
D860,892 S * 9/2019 Ohmori D12/192
D863,167 S * 10/2019 Moir D12/192

* cited by examiner
Primary Examiner — Katrina A Betton
(74) *Attorney, Agent, or Firm* — Haley Guiliano LLP

(57) **CLAIM**
The ornamental design for an instrument panel, as shown and described.

DESCRIPTION
FIG. 1 is a front view of an instrument panel showing the claimed design;
FIG. 2 is a bottom view of the instrument panel;
FIG. 3 is a left-side view of the instrument panel;
FIG. 4 is a right-side view of the instrument panel;
FIG. 5 is a front left corner perspective view of the instrument panel;
FIG. 6 is a front right corner perspective view of the instrument panel;
FIG. 7 is a higher front left corner perspective view of the instrument panel;
FIG. 8 is a higher front right corner perspective view of the instrument panel; and,
FIG. 9 is a front perspective view of the instrument panel.

1 Claim, 9 Drawing Sheets



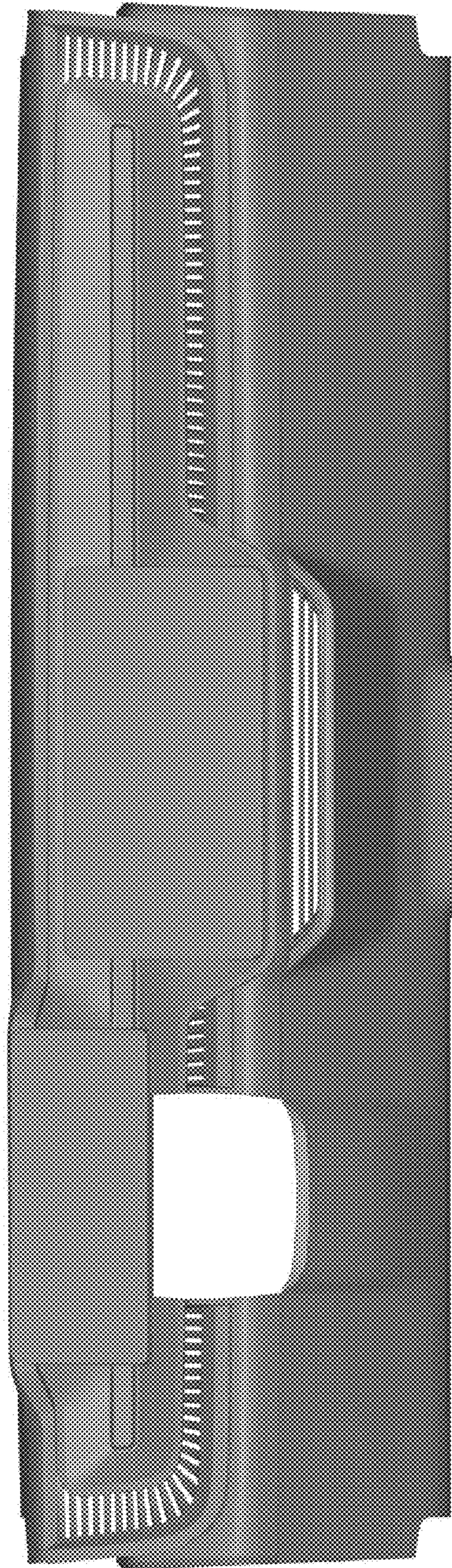


FIG. 1

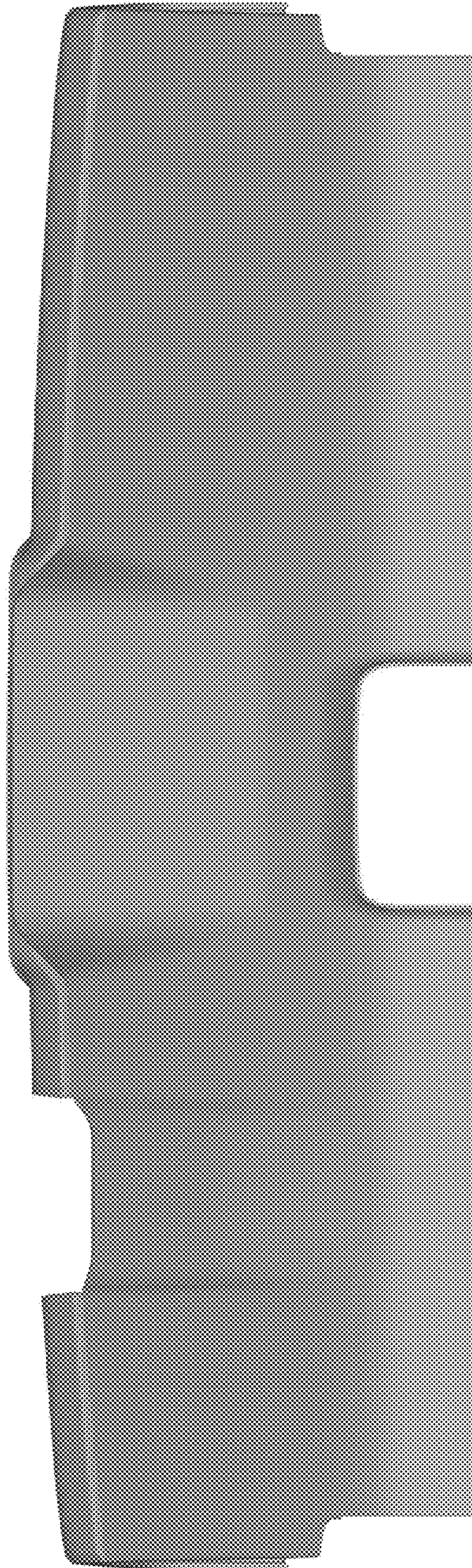


FIG. 2

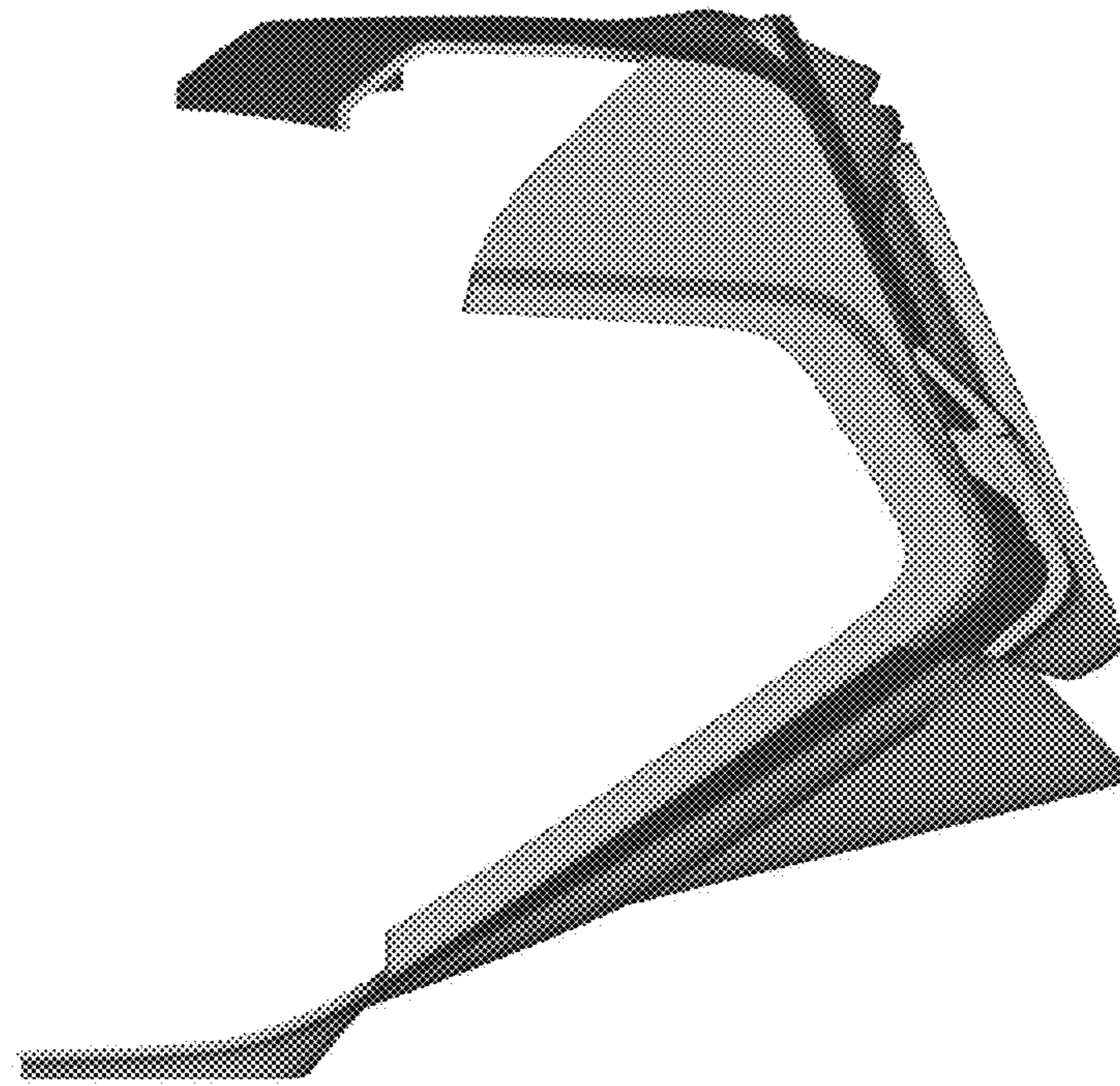


FIG. 3

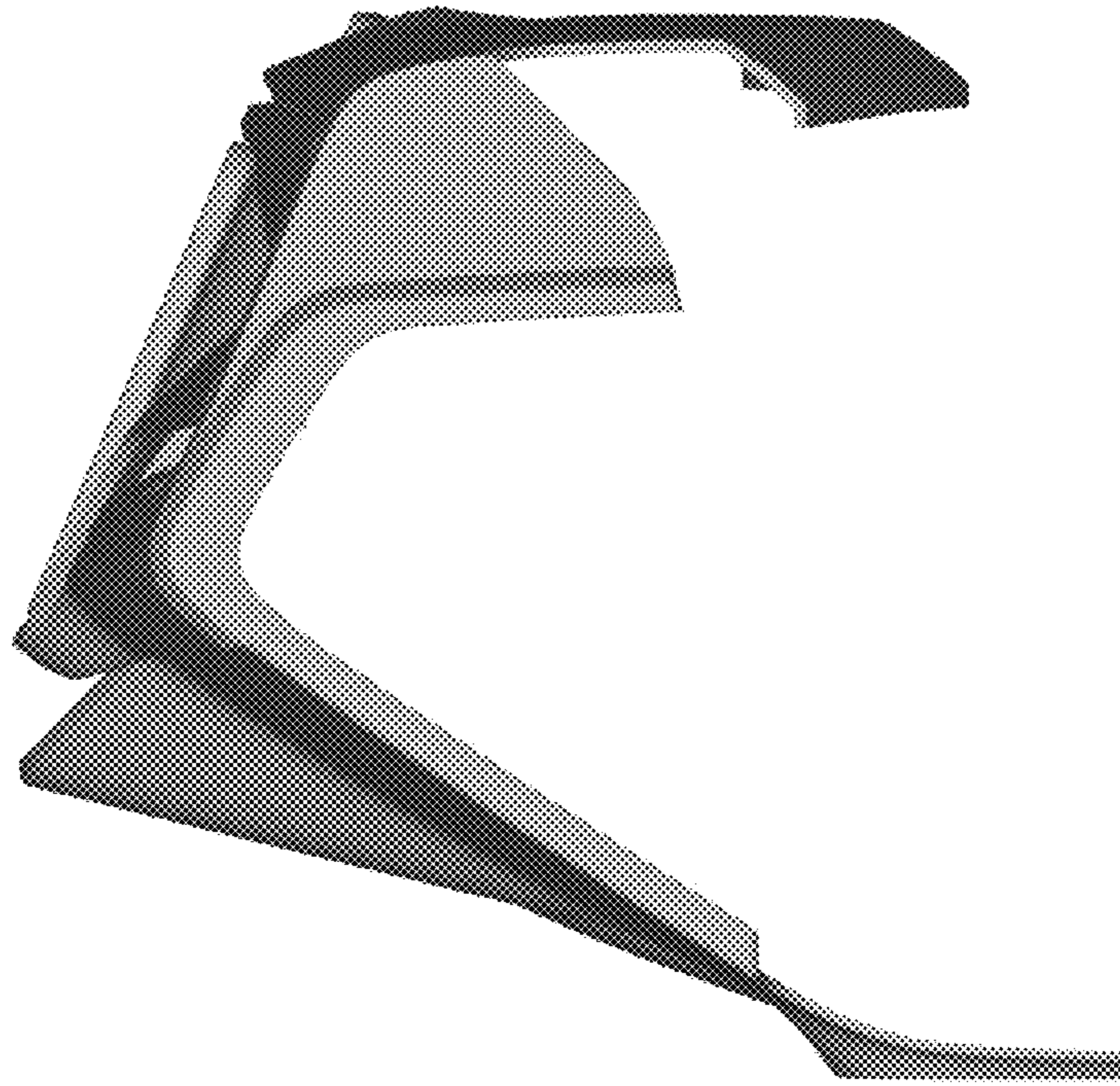


FIG. 4

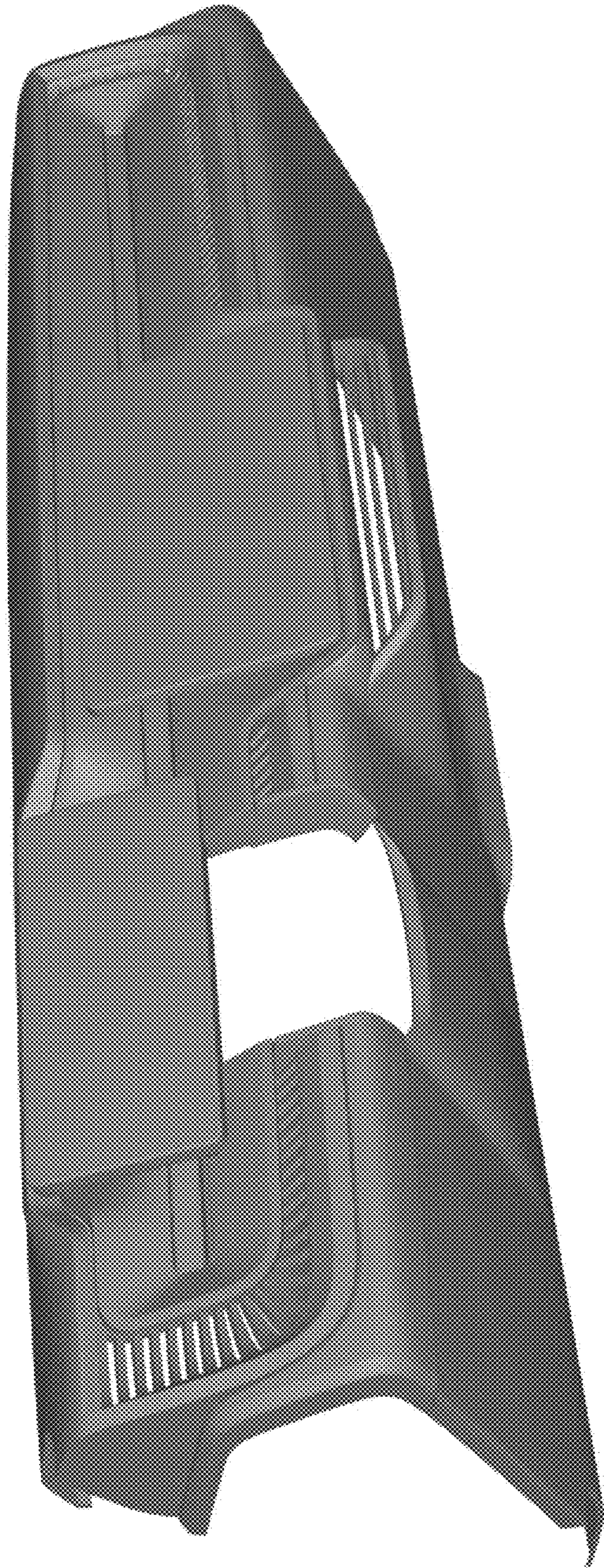


FIG. 5

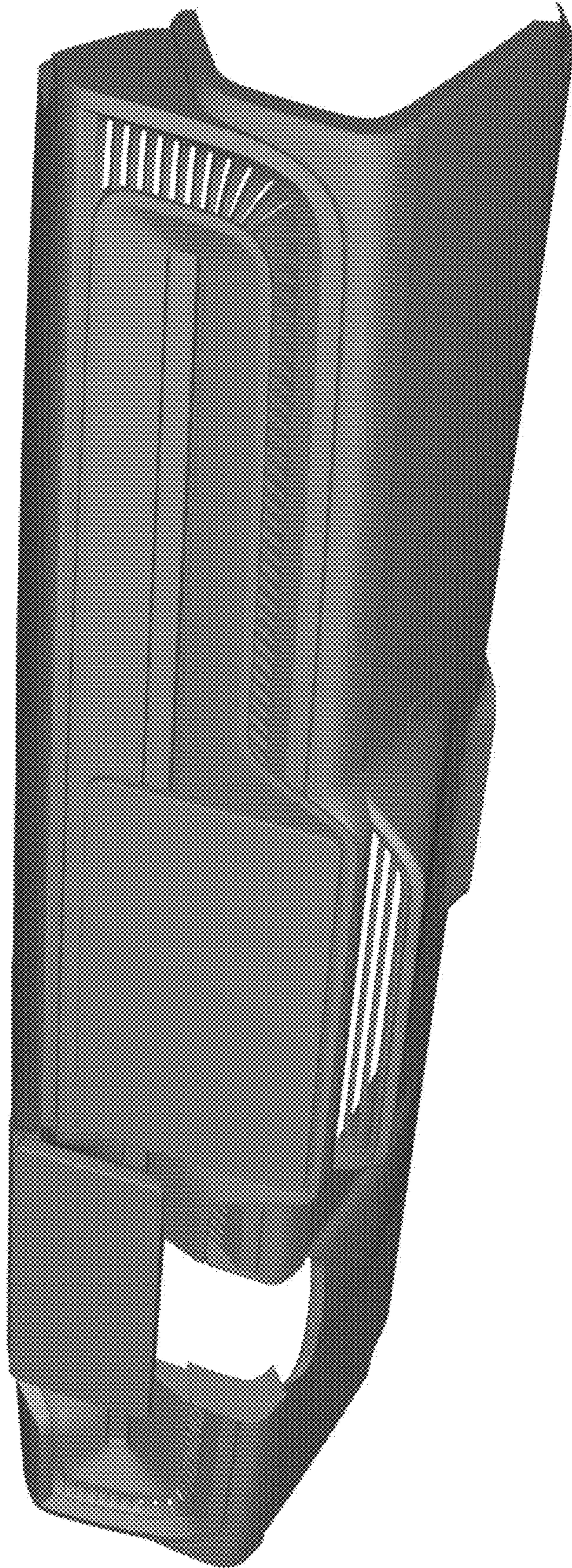


FIG. 6

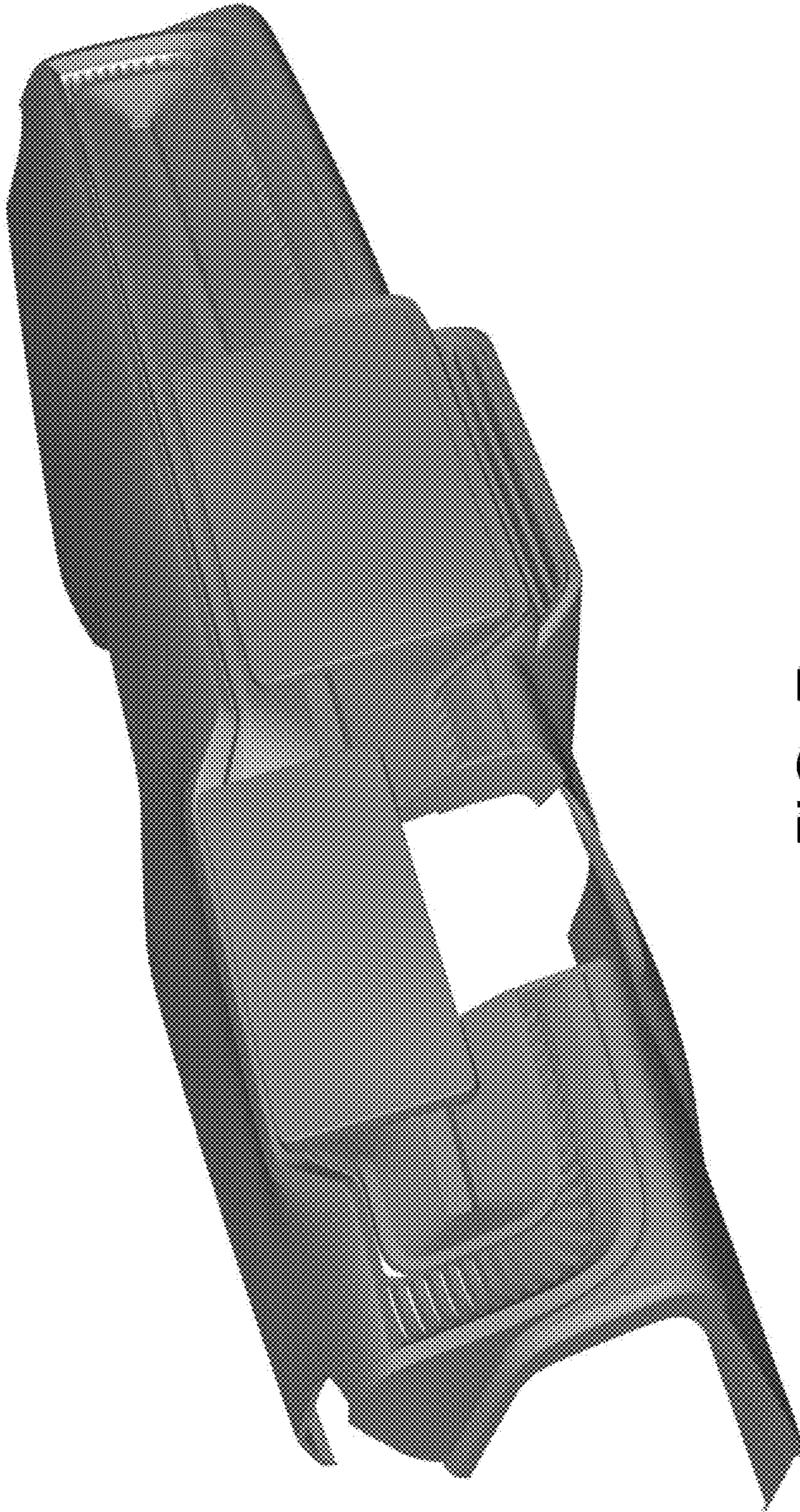


FIG. 7

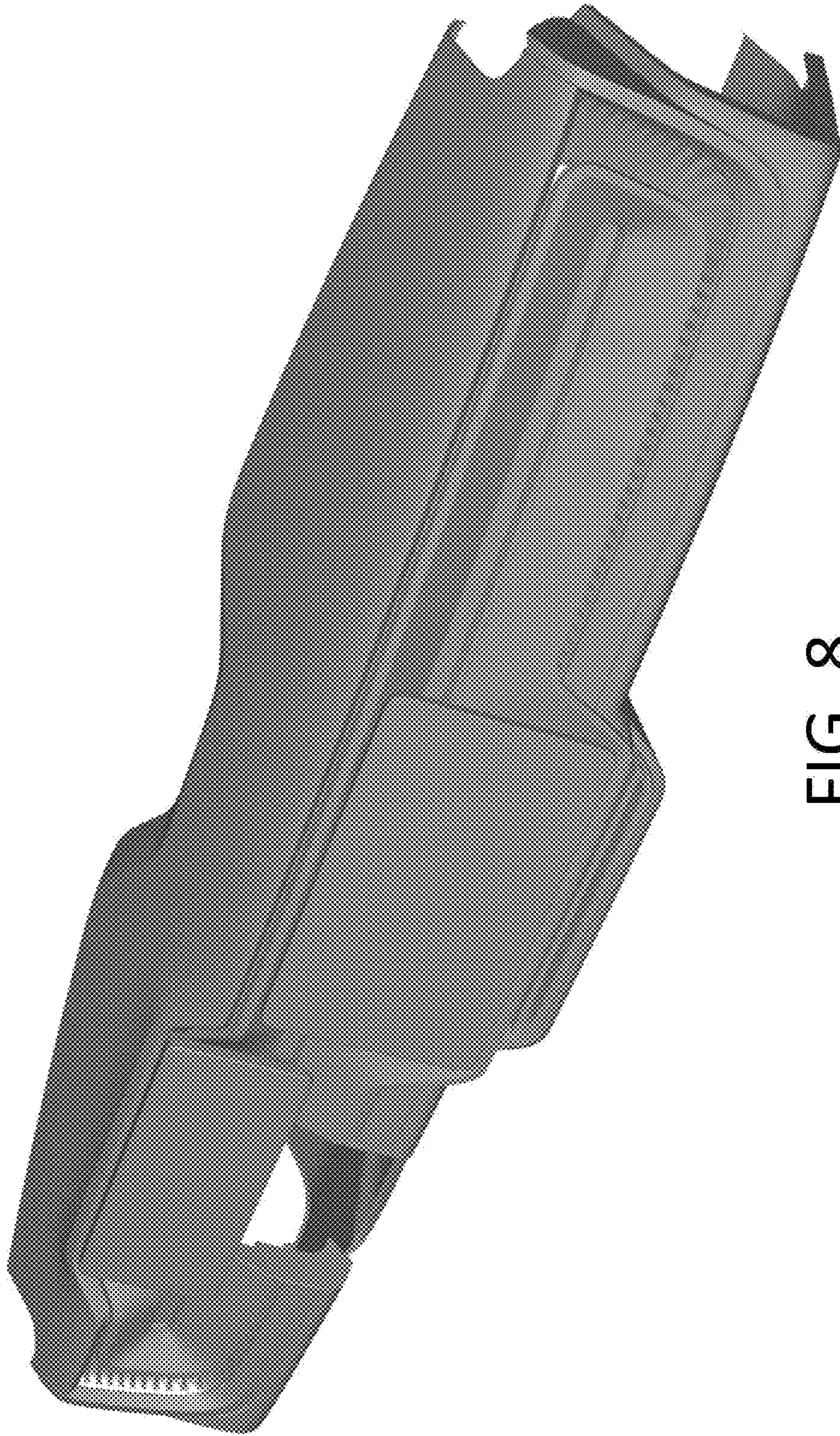


FIG. 8

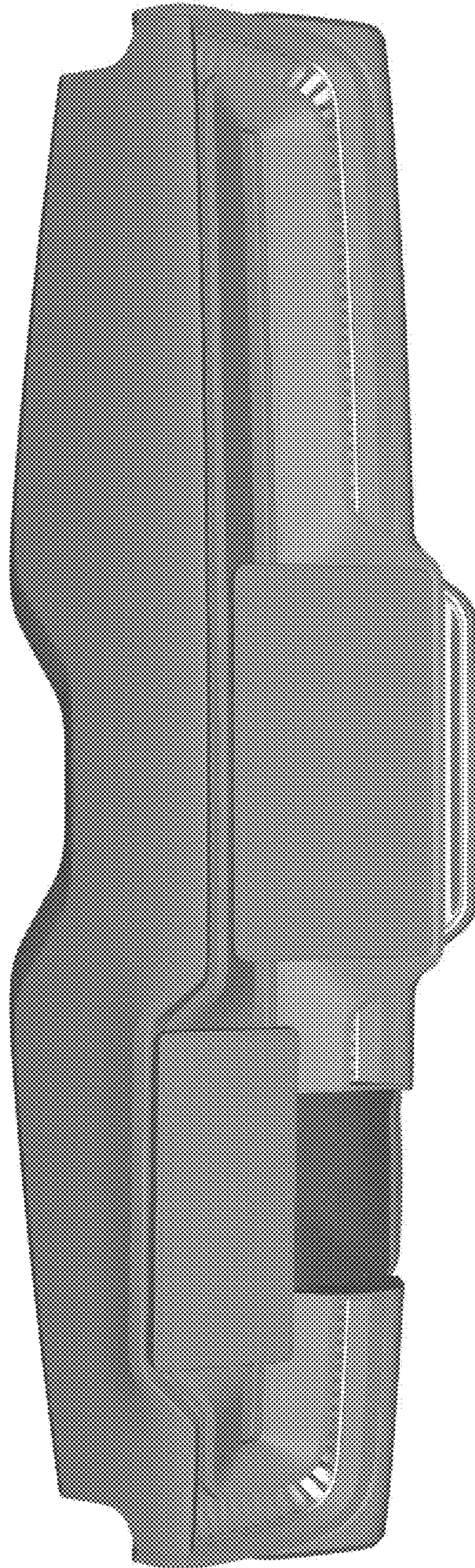


FIG. 9