



US00D877011S

(12) **United States Design Patent** (10) **Patent No.:** **US D877,011 S**
Ogawa (45) **Date of Patent:** **** Mar. 3, 2020**

(54) **ELECTRONIC SIDE MIRROR**

(71) Applicant: **Takeshi Ogawa**, Nagoya (JP)

(72) Inventor: **Takeshi Ogawa**, Nagoya (JP)

(73) Assignee: **TOYOTA JIDOSHA KABUSHIKI KAISHA** (JP)

(**) Term: **15 Years**

(21) Appl. No.: **29/667,044**

(22) Filed: **Oct. 18, 2018**

(30) **Foreign Application Priority Data**

Apr. 20, 2018 (JP) 2018-008763

(51) **LOC (12) Cl.** **12-16**

(52) **U.S. Cl.**
USPC **D12/187**

(58) **Field of Classification Search**
USPC D12/187, 188, 189
CPC G03B 17/02; B60S 1/566; B60R 1/074;
B60R 1/076; B60R 1/078; B60R 1/08;
B60R 1/081; B60R 1/082; B60R 1/007
See application file for complete search history.

(56) **References Cited**

U.S. PATENT DOCUMENTS

D386,472 S *	11/1997	Eisenbraun	D12/187
D609,151 S *	2/2010	Kouchi	D12/187
D612,311 S *	3/2010	Weil	D12/187
D654,003 S *	2/2012	Kuo	D12/187
D716,207 S *	10/2014	Callum	D12/187
D727,230 S *	4/2015	Kao	D12/187
9,817,298 B1 *	11/2017	Dhall	G03B 17/02
D818,915 S *	5/2018	Kozub	D12/187
2016/0214536 A1 *	7/2016	Burdge	B60R 1/007
2018/0105112 A1 *	4/2018	Motomiya	B60R 1/074
2018/0354422 A1 *	12/2018	Hottmann	B60R 1/078
2019/0039531 A1 *	2/2019	Wilson	B60S 1/566

OTHER PUBLICATIONS

Forbes.com. "Mirror Mirror on the Door, Lexus just Switched to Digital Monitor" Published Sep. 29, 2018. Retrieved Jul. 12, 2019. (<https://www.forbes.com/sites/peterlyon/2018/09/29/mirror-mirror-on-the-door-lexus-just-switched-to-digital-monitor/#3977b2a35c19>).*
Netcarshow, Lexus UX Concept (2016), <https://www.netcarshow.com/lexus/2016-ux_concept/>, available as early as Aug. 29, 2017.
Response, BMW i8 mirrorless (2016), <<https://response.jp/article/2016/01/07/267375.html>>, available as early as Aug. 29, 2017.
Response, Audi e-tron Sportback concept (2017), <<https://response.jp/article/2017/04/29/294146.html>>, available as early as Aug. 29, 2017.

* cited by examiner

Primary Examiner — Susan E Krakower

Assistant Examiner — Jerry Shiuian-Hua Hsu

(74) *Attorney, Agent, or Firm* — Saidman DesignLaw Group, LLC

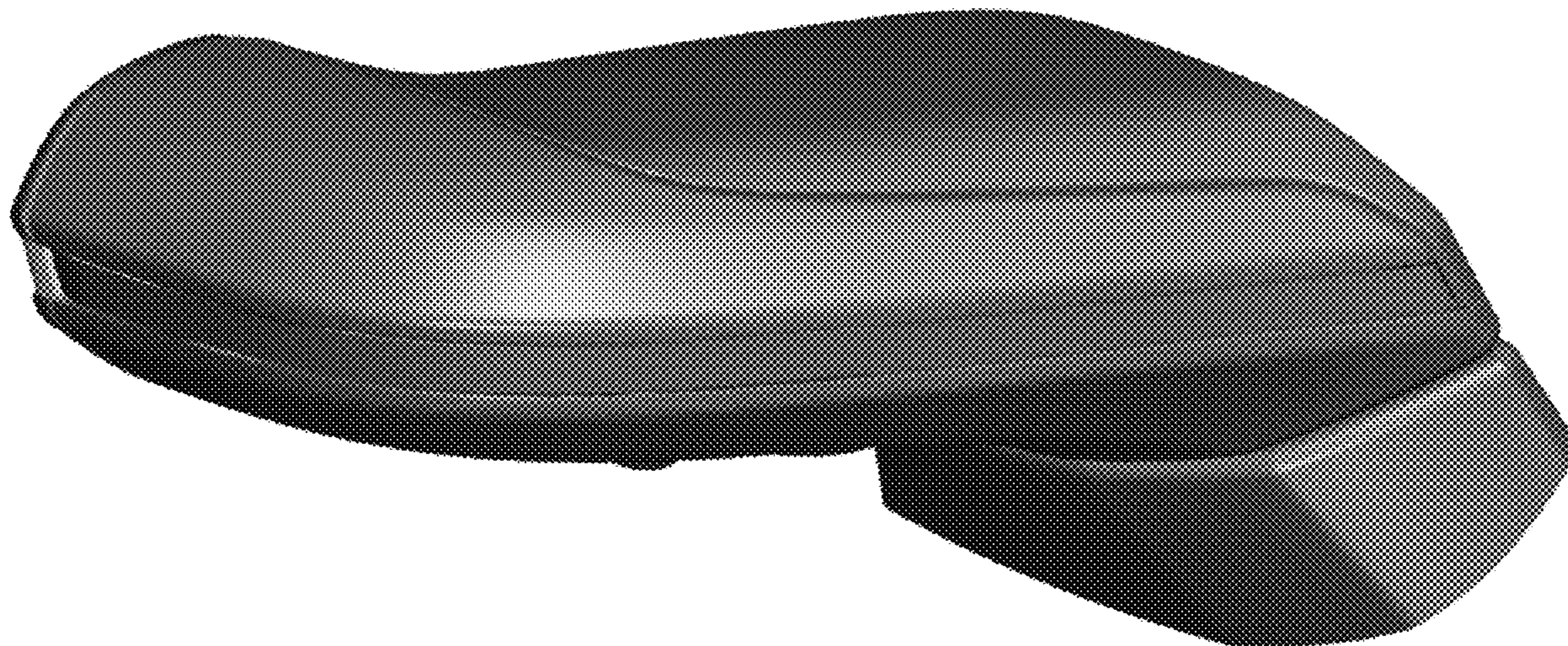
(57) **CLAIM**

The ornamental design for an electronic side mirror, as shown and described.

DESCRIPTION

FIG. 1 is a perspective view of an electronic side mirror showing my new design;
FIG. 2 is a front view thereof;
FIG. 3 is a rear view thereof;
FIG. 4 is a left side view thereof;
FIG. 5 is a right side view thereof;
FIG. 6 is a top view thereof; and,
FIG. 7 is a bottom view thereof.
The broken lines and the lightened surface shading therein illustrate portions of the electronic side mirror that form no part of the claimed design.

1 Claim, 7 Drawing Sheets



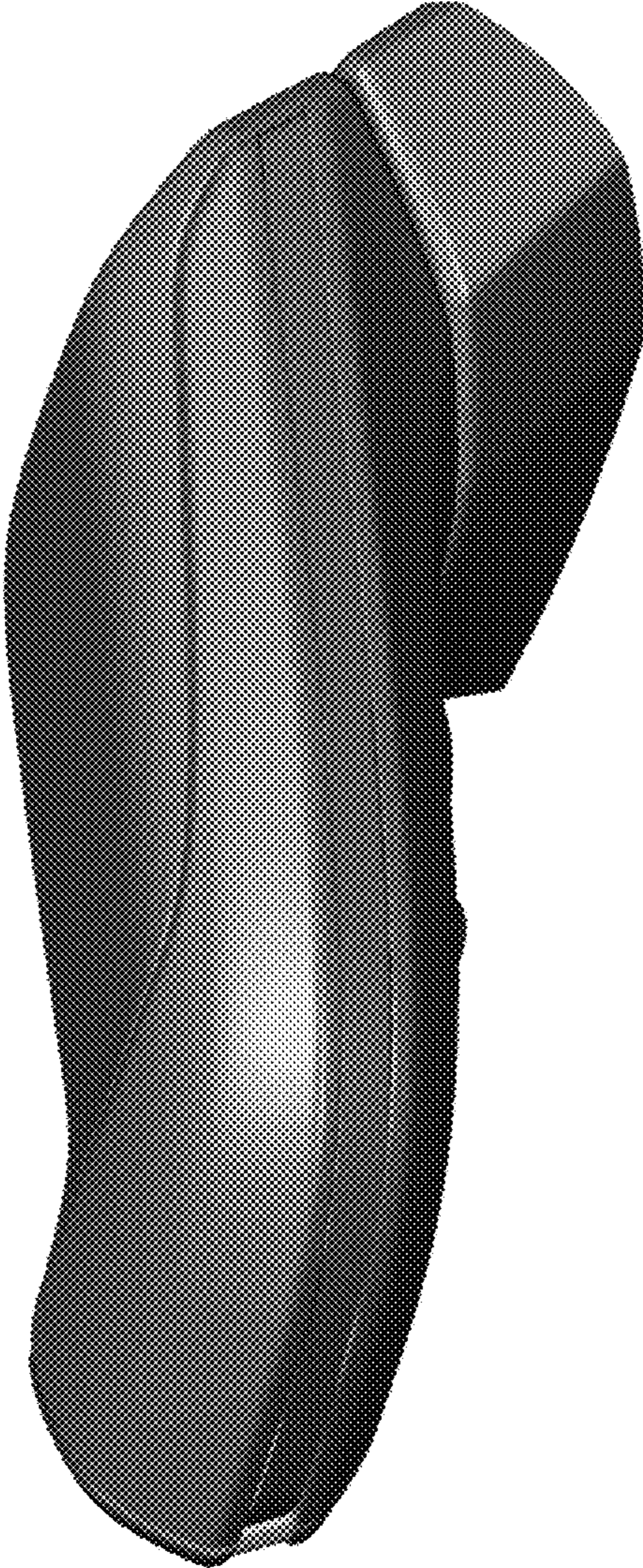


FIG. 1

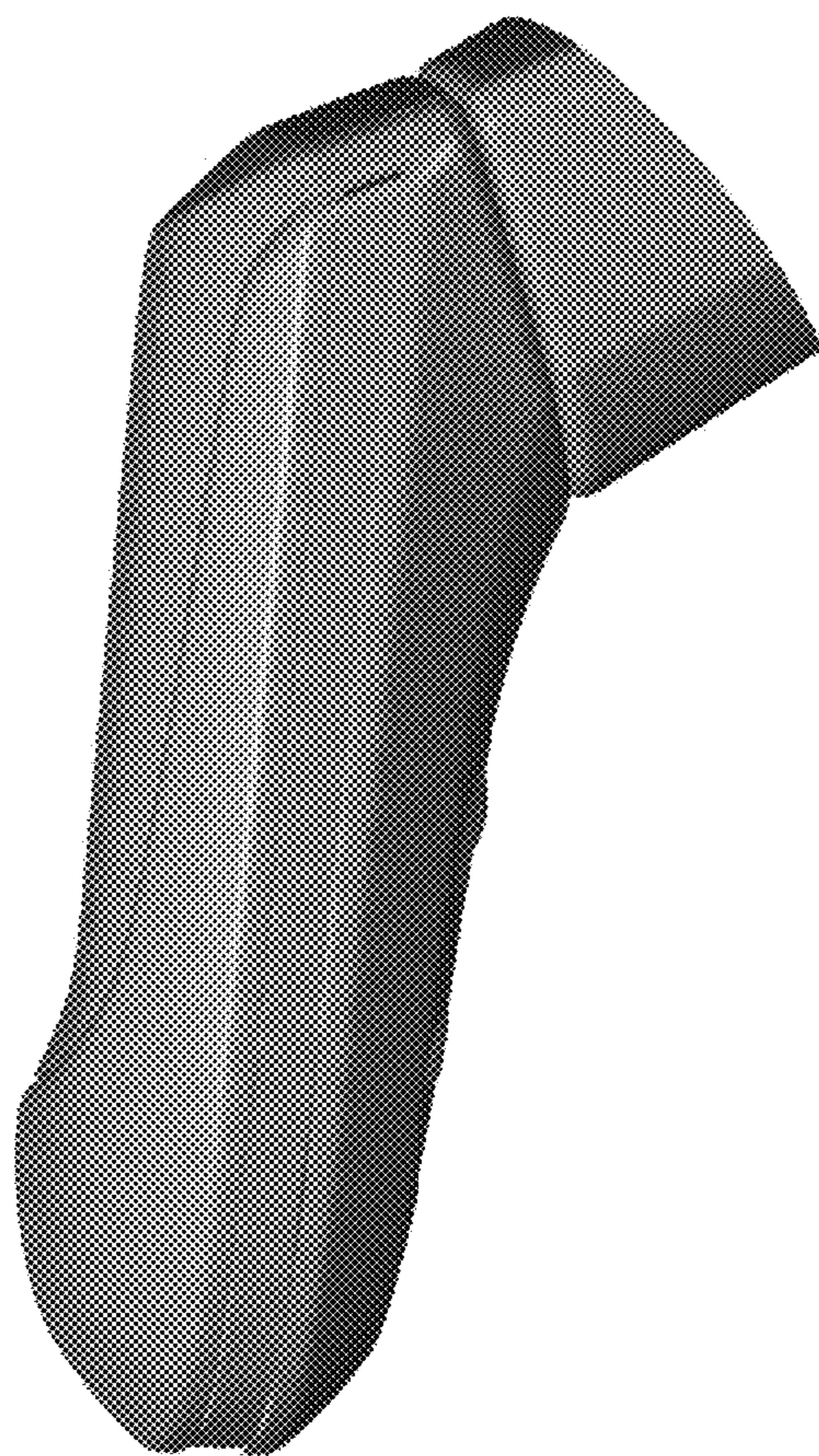


FIG. 2

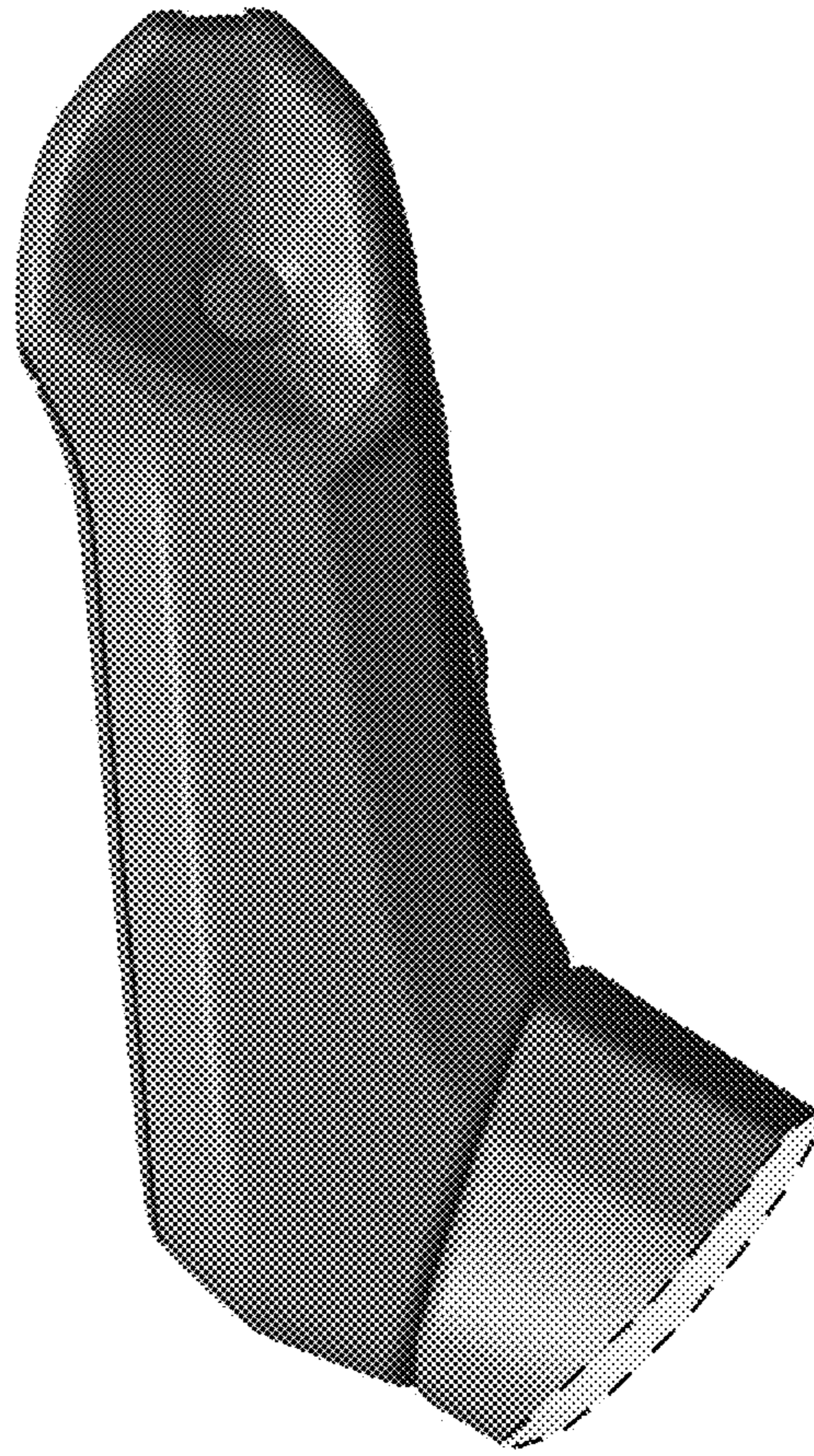


FIG. 3

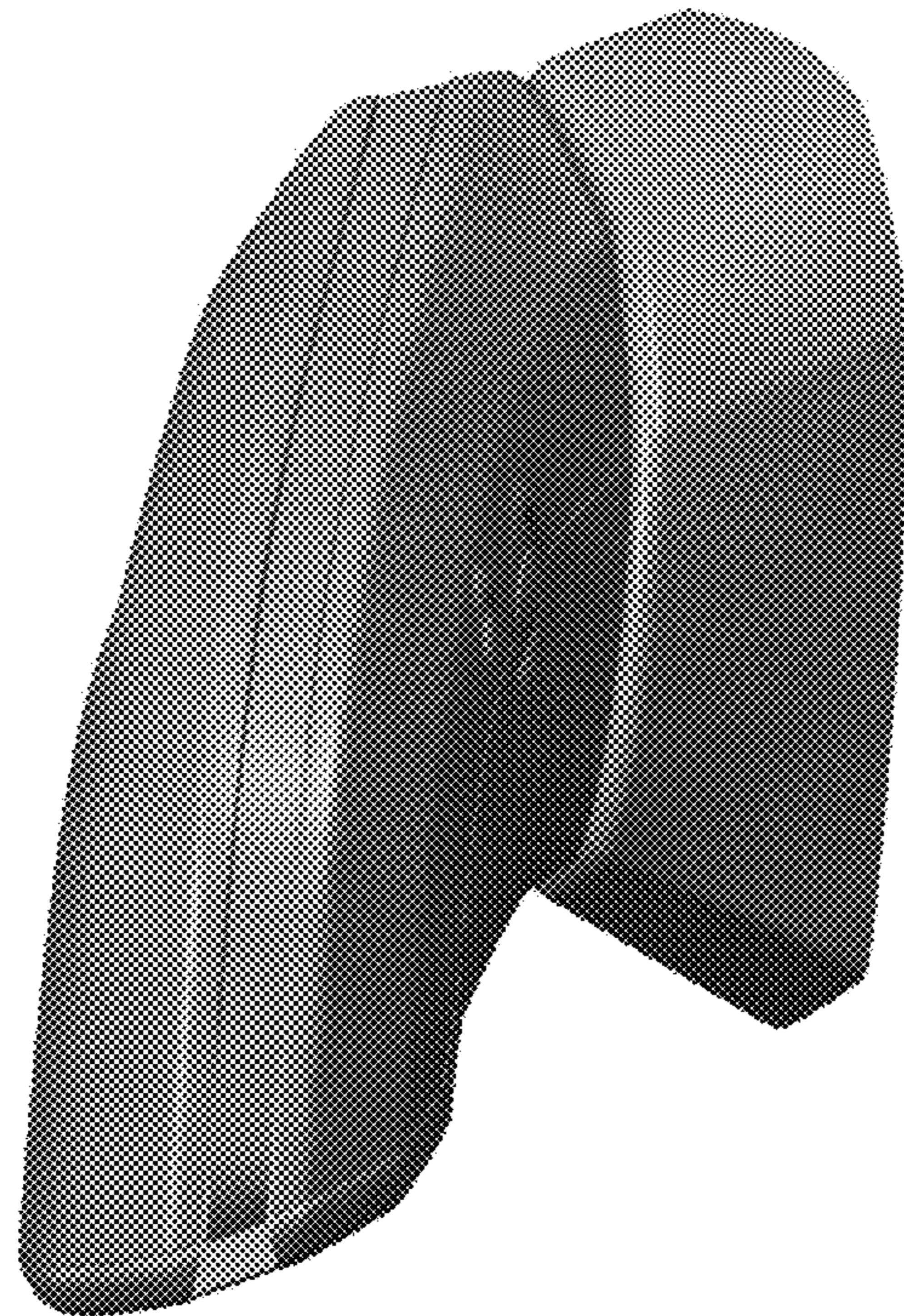


FIG. 4

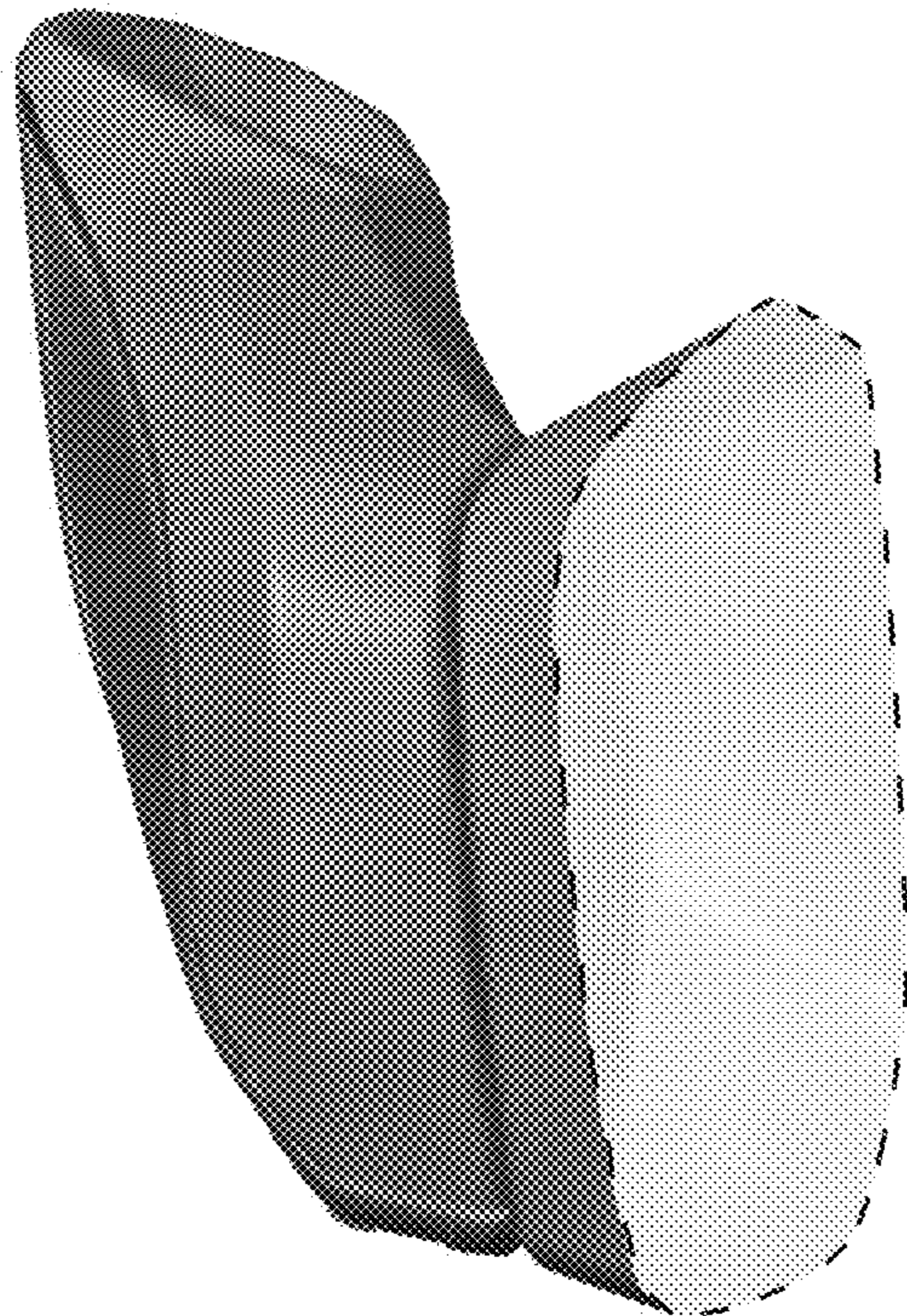


FIG. 5



FIG. 6

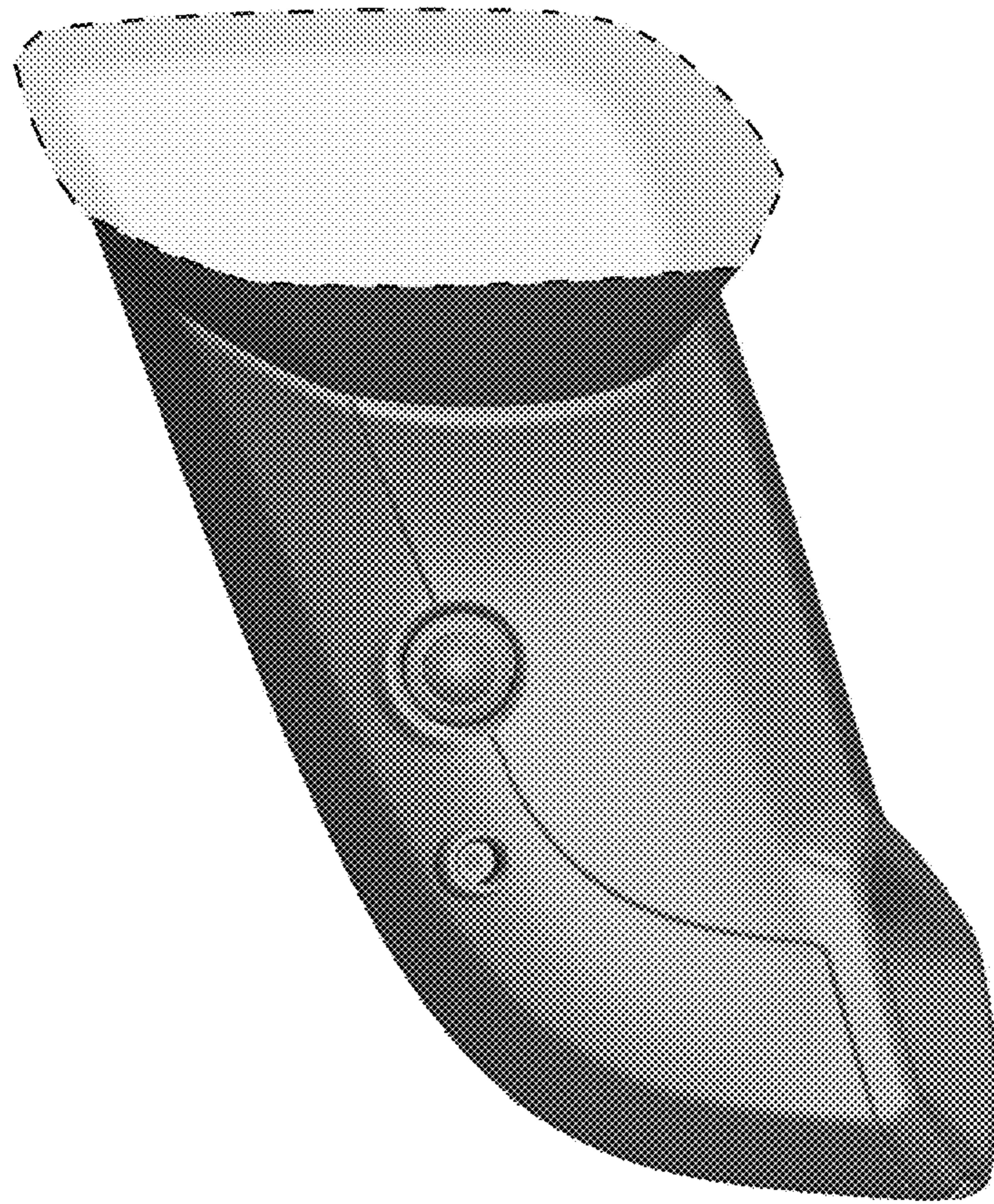


FIG. 7