

US00D877008S

(12) **United States Design Patent**  
**Schell**

(10) **Patent No.:** **US D877,008 S**  
(45) **Date of Patent:** **\*\* Mar. 3, 2020**

(54) **FRONT BUMPER**

(71) Applicant: **HONDA MOTOR CO., LTD.**,  
Minato-ku, Tokyo (JP)

(72) Inventor: **Damon Schell**, Long Beach, CA (US)

(73) Assignee: **HONDA MOTOR CO., LTD.**, Tokyo  
(JP)

(\*\*) Term: **15 Years**

(21) Appl. No.: **29/666,162**

(22) Filed: **Oct. 10, 2018**

(51) **LOC (12) Cl.** ..... **12-16**

(52) **U.S. Cl.**  
USPC ..... **D12/169**

(58) **Field of Classification Search**  
USPC ..... D12/169, 196, 86, 90-92; 293/102, 113,  
293/115, 117, 120; 296/180.1, 180.2  
CPC ..... B60R 19/02; B60R 19/04; B62D 25/08  
See application file for complete search history.

(56) **References Cited**

**U.S. PATENT DOCUMENTS**

D466,837 S \* 12/2002 Buring ..... D12/93  
D619,049 S \* 7/2010 Beigel ..... D12/96

D623,091 S \* 9/2010 Beigel ..... D12/96  
D623,092 S \* 9/2010 Beigel ..... D12/96  
D824,299 S \* 7/2018 Stone ..... D12/169  
D827,499 S \* 9/2018 Janssen ..... D12/96

\* cited by examiner

*Primary Examiner* — Melody N Brown

(74) *Attorney, Agent, or Firm* — Arent Fox LLP

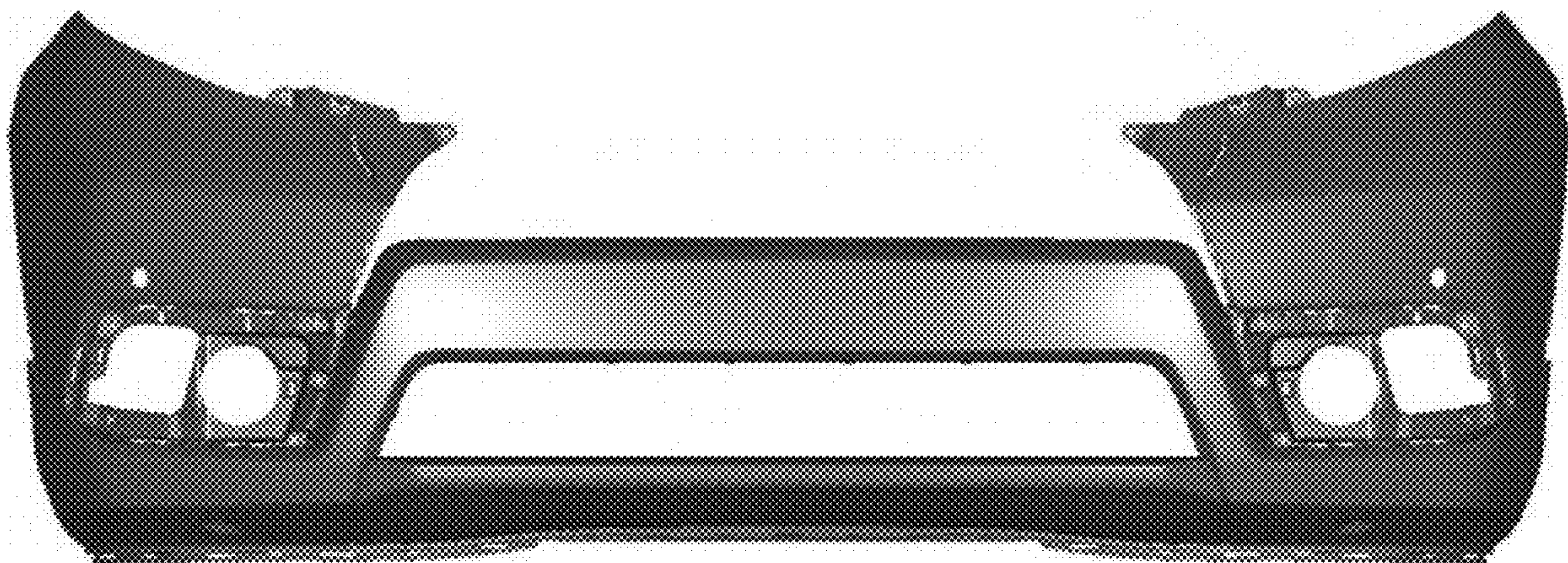
(57) **CLAIM**

The ornamental design for a front bumper, as shown and described.

**DESCRIPTION**

FIG. 1 is a left, rear perspective view of a front bumper showing my new design;  
FIG. 2 is a right, rear perspective view thereof;  
FIG. 3 is a right, front perspective view thereof;  
FIG. 4 is a left, front perspective view thereof;  
FIG. 5 is a rear elevational view thereof;  
FIG. 6 is a front elevational view thereof;  
FIG. 7 is a right side elevational view thereof;  
FIG. 8 is a left side elevational view thereof;  
FIG. 9 is a top plan view thereof; and,  
FIG. 10 is a bottom plan view thereof.

**1 Claim, 10 Drawing Sheets**





**FIG. 1**

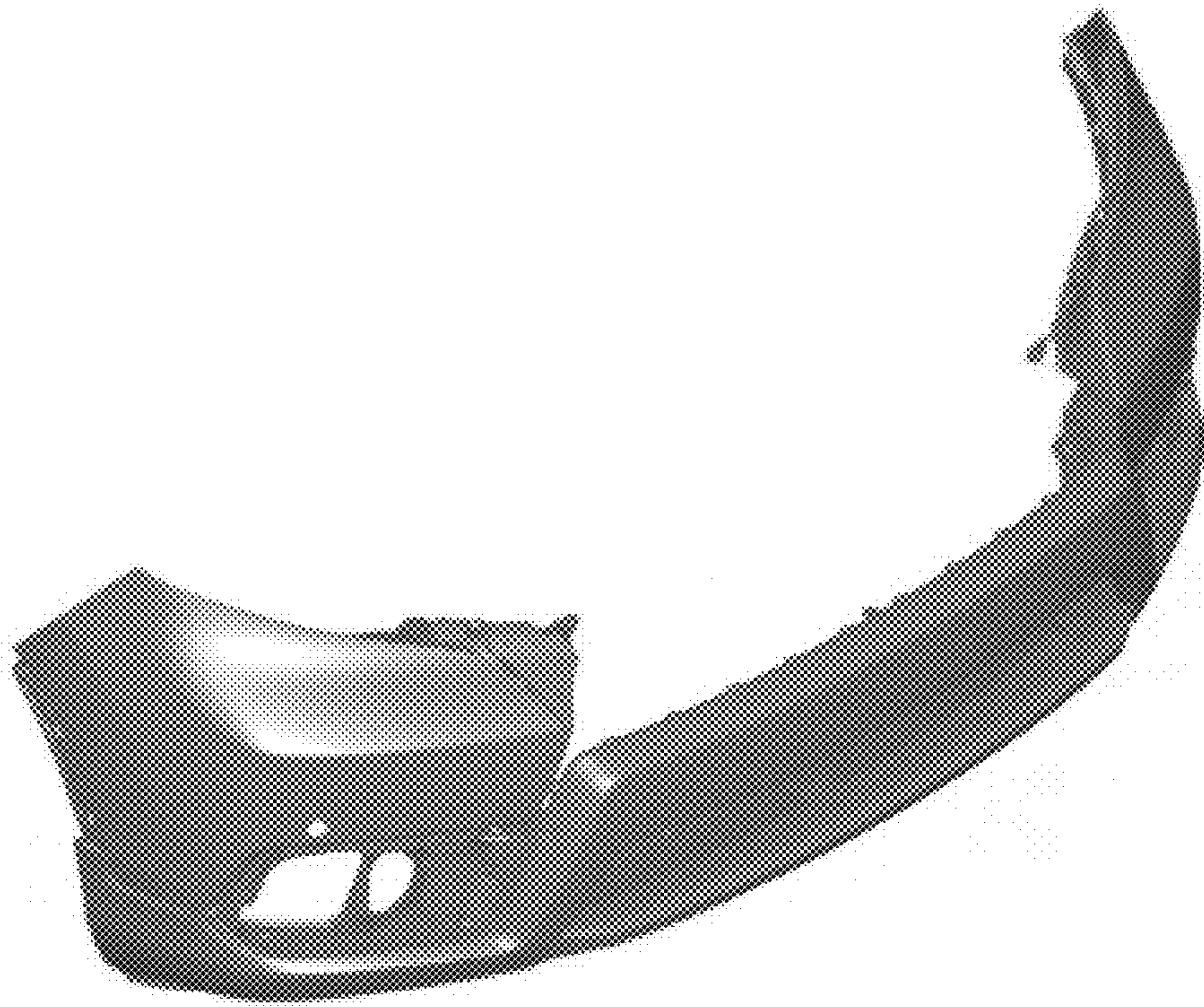




**FIG. 2**

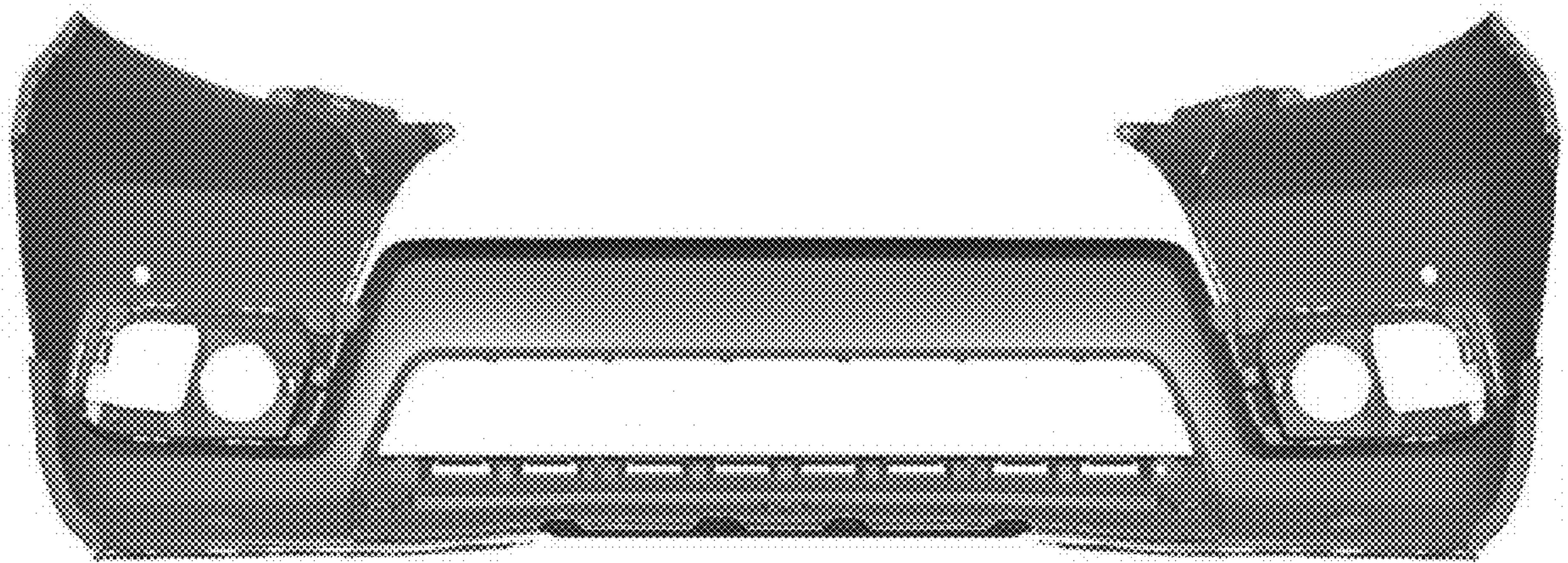


**FIG. 3**

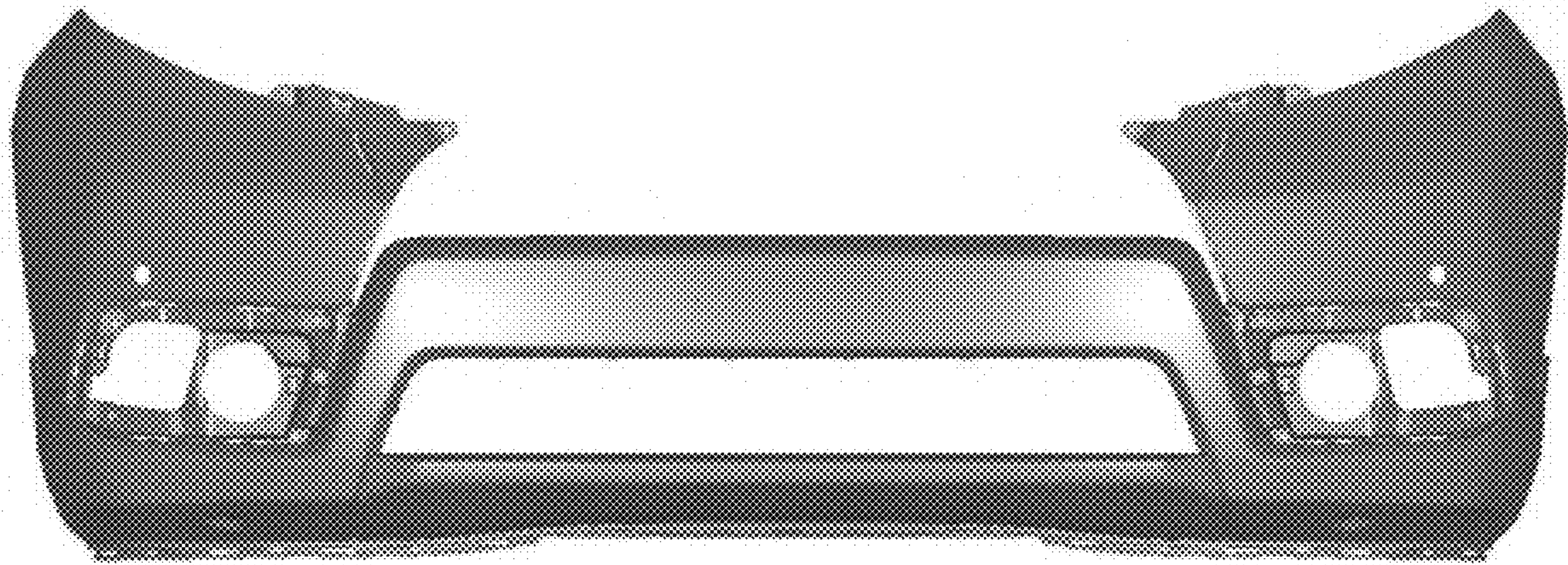


**FIG. 4**



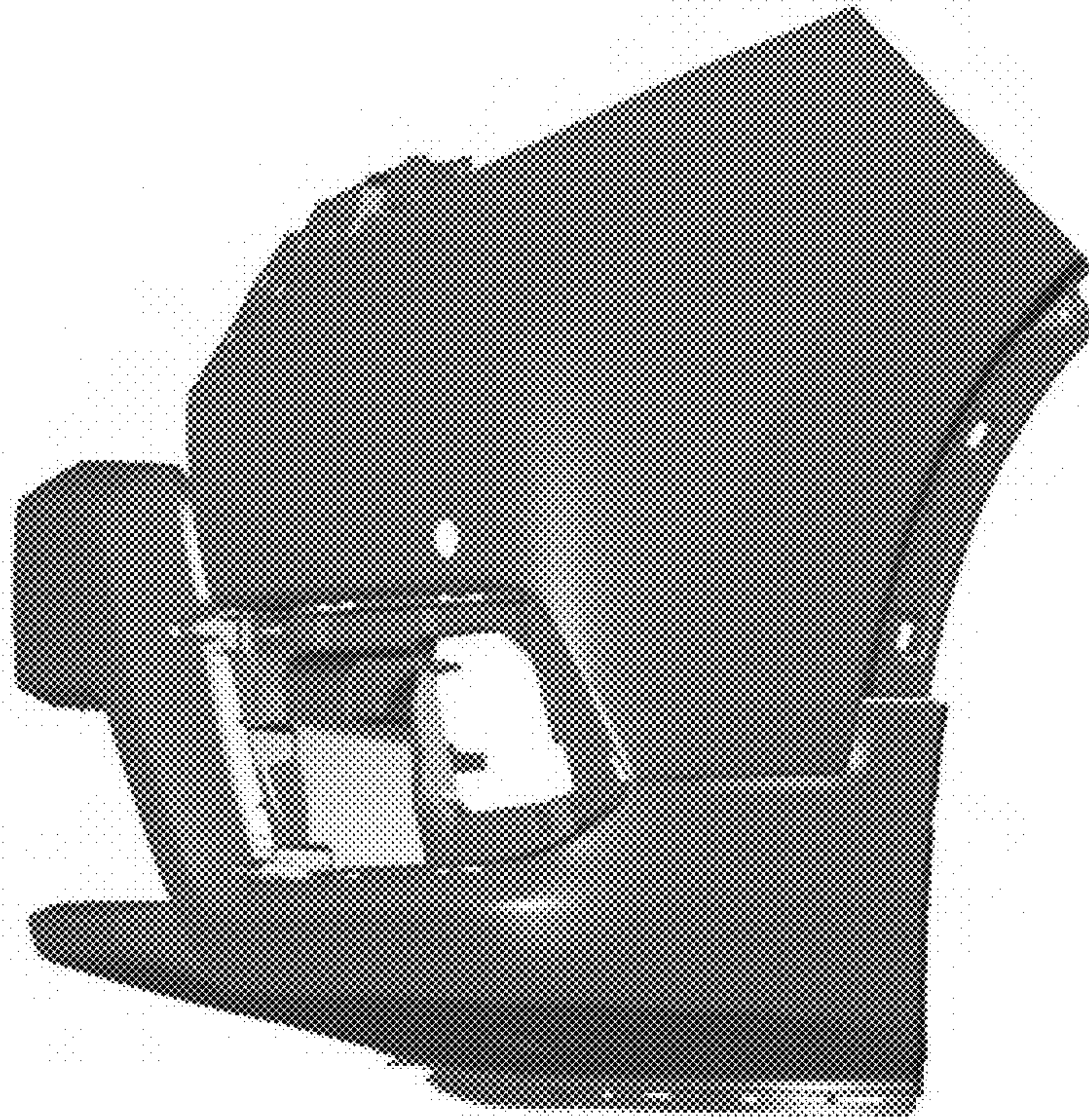


**FIG. 5**



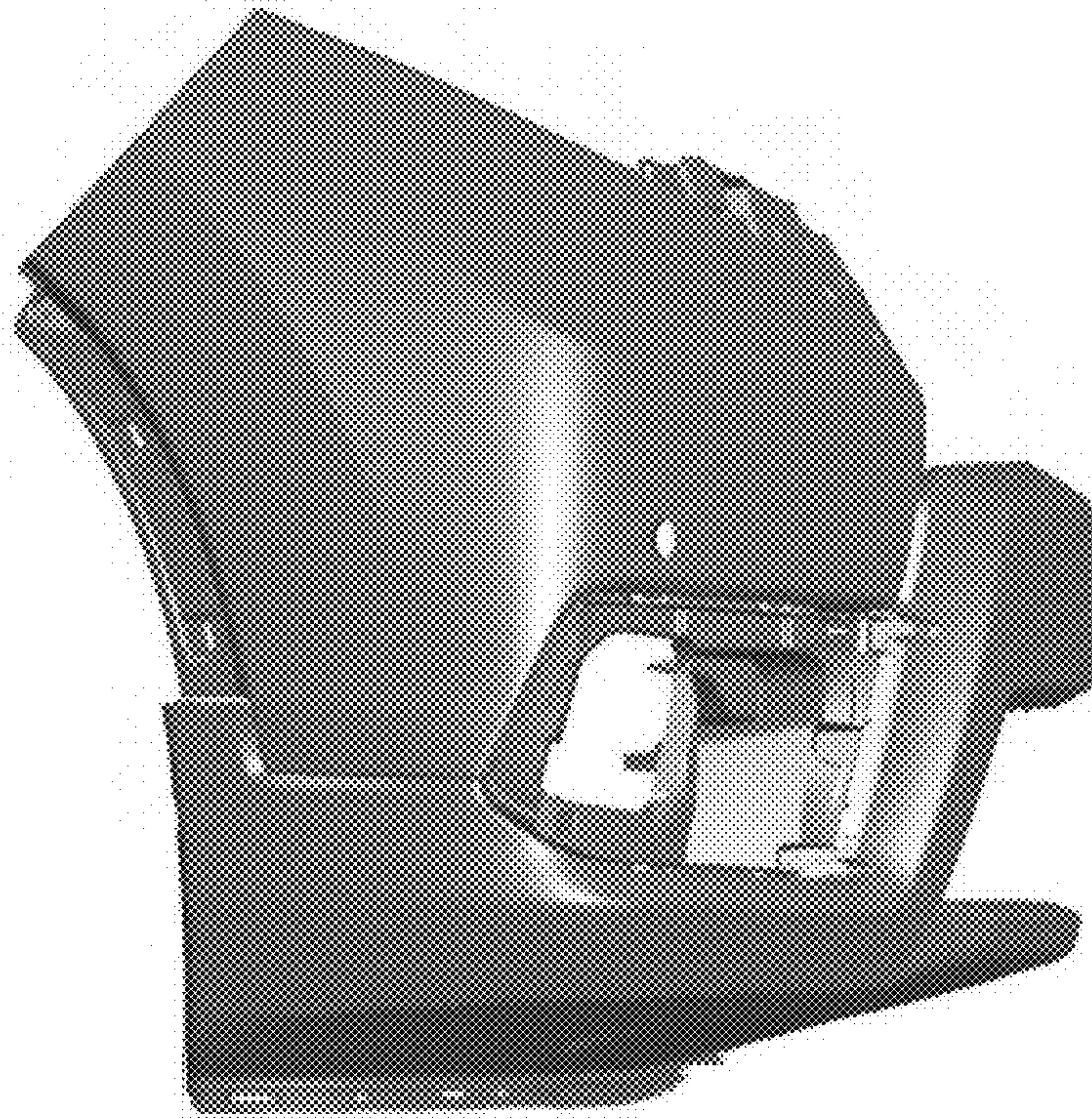
**FIG. 6**



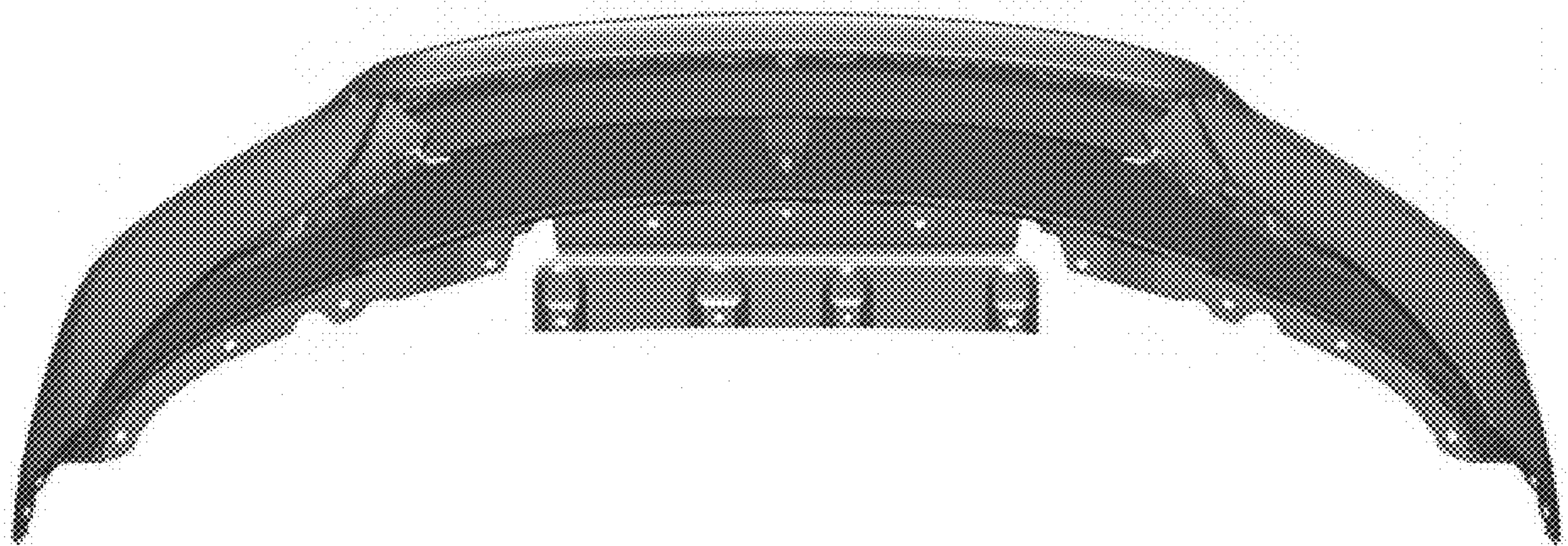


**FIG. 7**



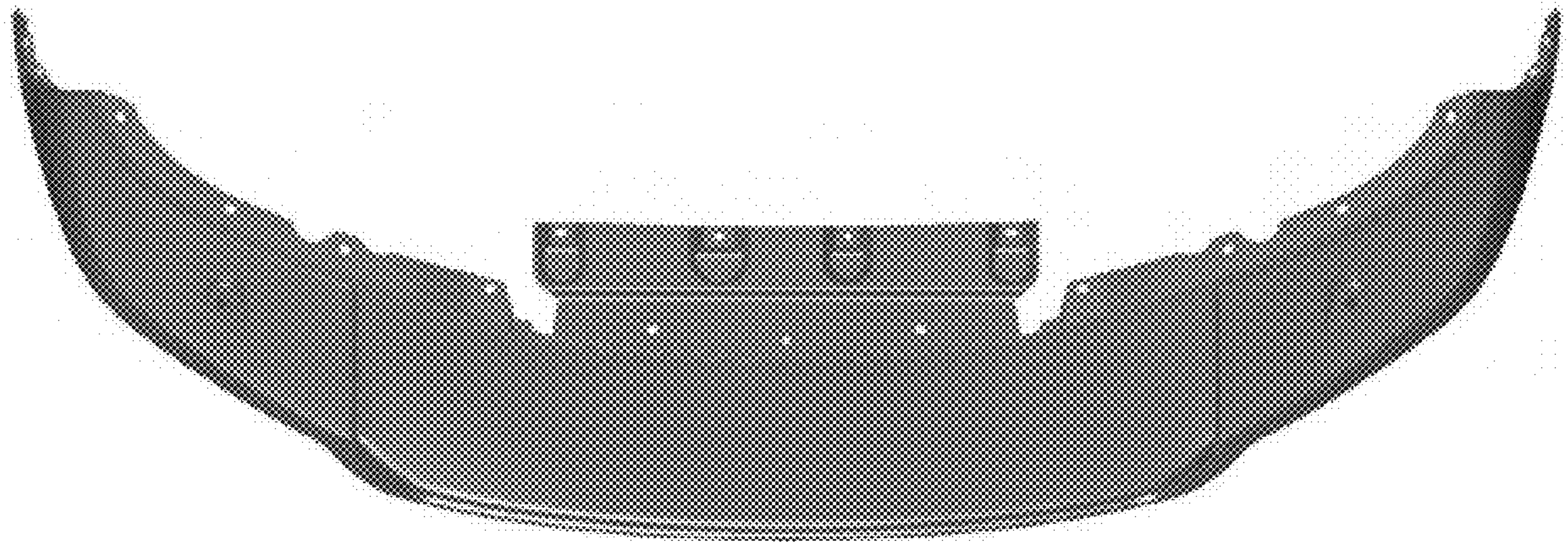


**FIG. 8**



**FIG. 9**





**FIG. 10**