



US00D876998S

(12) **United States Design Patent** (10) **Patent No.:** **US D876,998 S**
Harriton et al. (45) **Date of Patent:** **** Mar. 3, 2020**

(54) **FRONT BUMPER**

(71) Applicant: **StreetCar ORV LLC**, Wixom, MI (US)

(72) Inventors: **David Harriton**, Missoula, MT (US);
Mark Stouffer, Oakland Township, MI (US)

(73) Assignee: **StreetCar ORV LLC**, Wixom, MI (US)

(**) Term: **15 Years**

(21) Appl. No.: **29/624,350**

(22) Filed: **Oct. 31, 2017**

(51) **LOC (12) Cl.** **12-16**

(52) **U.S. Cl.**
USPC **D12/169**

(58) **Field of Classification Search**
USPC D12/86, 163, 164, 167, 169–172, 216;
D21/424, 427, 433, 483, 533, 548
(Continued)

(56) **References Cited**

U.S. PATENT DOCUMENTS

D375,067 S * 10/1996 Bronstein D12/169
D455,988 S * 4/2002 McGuiness D12/171
(Continued)

FOREIGN PATENT DOCUMENTS

EM 002566455-0003 * 10/2014

Primary Examiner — Leanne Was-Englehart
(74) *Attorney, Agent, or Firm* — Quinn IP Law

(57) **CLAIM**

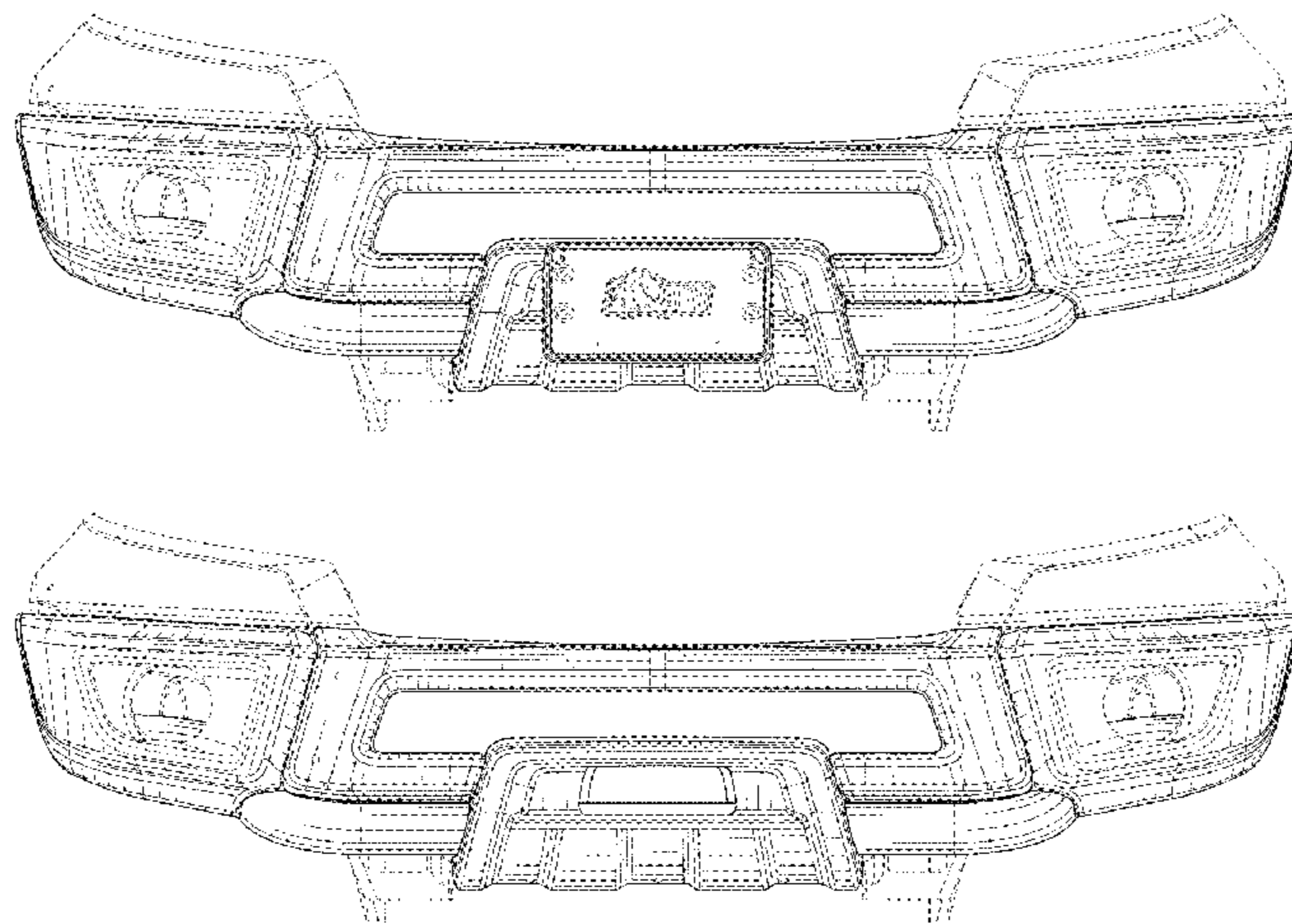
We claim the ornamental design for a front bumper, as shown and described.

DESCRIPTION

FIG. 1 is a top, right, and front perspective view of a front bumper showing our new design according to a first embodiment,

FIG. 2 is a bottom, left, and rear perspective view of the embodiment of FIG. 1,
FIG. 3 is a top, left, and rear perspective view of the embodiment of FIG. 1,
FIG. 4 is a bottom, left, and front perspective view of the embodiment of FIG. 1,
FIG. 5 is a top and front perspective view of the embodiment of FIG. 1,
FIG. 6 is a bottom and rear perspective view of the embodiment of FIG. 1,
FIG. 7 is a front elevation view of the embodiment of FIG. 1,
FIG. 8 is a rear elevation view of the embodiment of FIG. 1,
FIG. 9 is a right side elevation view of the embodiment of FIG. 1,
FIG. 10 is a left side elevation view of the embodiment of FIG. 1,
FIG. 11 is a top plan view of the embodiment of FIG. 1,
FIG. 12 is a bottom plan view of the embodiment of FIG. 1,
FIG. 13 is a top, right, and front perspective view of a front bumper showing our new design according to a second embodiment,
FIG. 14 is a bottom, left, and rear perspective view of the embodiment of FIG. 13,
FIG. 15 is a top, left, and rear perspective view of the embodiment of FIG. 13,
FIG. 16 is a bottom, left, and front perspective view of the embodiment of FIG. 13,
FIG. 17 is a top and front perspective view of the embodiment of FIG. 13,
FIG. 18 is a bottom and rear perspective view of the embodiment of FIG. 13,
FIG. 19 is a front elevation view of the embodiment of FIG. 13,
FIG. 20 is a rear elevation view of the embodiment of FIG. 13,
FIG. 21 is a right side elevation view of the embodiment of FIG. 13,
FIG. 22 is a left side elevation view of the embodiment of FIG. 13,
FIG. 23 is a top plan view of the embodiment of FIG. 13;
and,
FIG. 24 is a bottom plan view of the embodiment of FIG. 13.

(Continued)



All broken lines illustrate portions of the front bumper to which the design is applied that form no part of the claim.

1 Claim, 22 Drawing Sheets

(58) Field of Classification Search

CPC B60R 19/02; B60R 19/04; B60R 19/18;
B60R 19/24; B60R 19/26; B60R 19/52;
B62D 25/08; B60K 11/08

See application file for complete search history.

(56) References Cited

U.S. PATENT DOCUMENTS

D512,351 S	*	12/2005	Hattori	D12/169
D737,181 S	*	8/2015	Smith	D12/169
D744,384 S	*	12/2015	Harriton	D12/169
D744,387 S	*	12/2015	Harriton	D12/169
D751,012 S	*	3/2016	Hare	D12/169
D760,133 S	*	6/2016	Bennett	D12/171
D761,166 S	*	7/2016	Hare	D12/169
D771,537 S	*	11/2016	Hare	D12/169
D775,013 S	*	12/2016	Bennett	D12/169
D776,582 S	*	1/2017	Bennett	D12/169
D786,745 S	*	5/2017	Zeng	D12/167
D792,817 S	*	7/2017	McMath	D12/169
D792,818 S	*	7/2017	McMath	D12/169
D794,519 S	*	8/2017	McMath	D12/169
D796,399 S	*	9/2017	Steen	D12/169
D800,036 S	*	10/2017	Bennett	D12/169
D814,984 S	*	4/2018	Wymore	D12/169
D830,919 S	*	10/2018	Zeng	D12/167

* cited by examiner

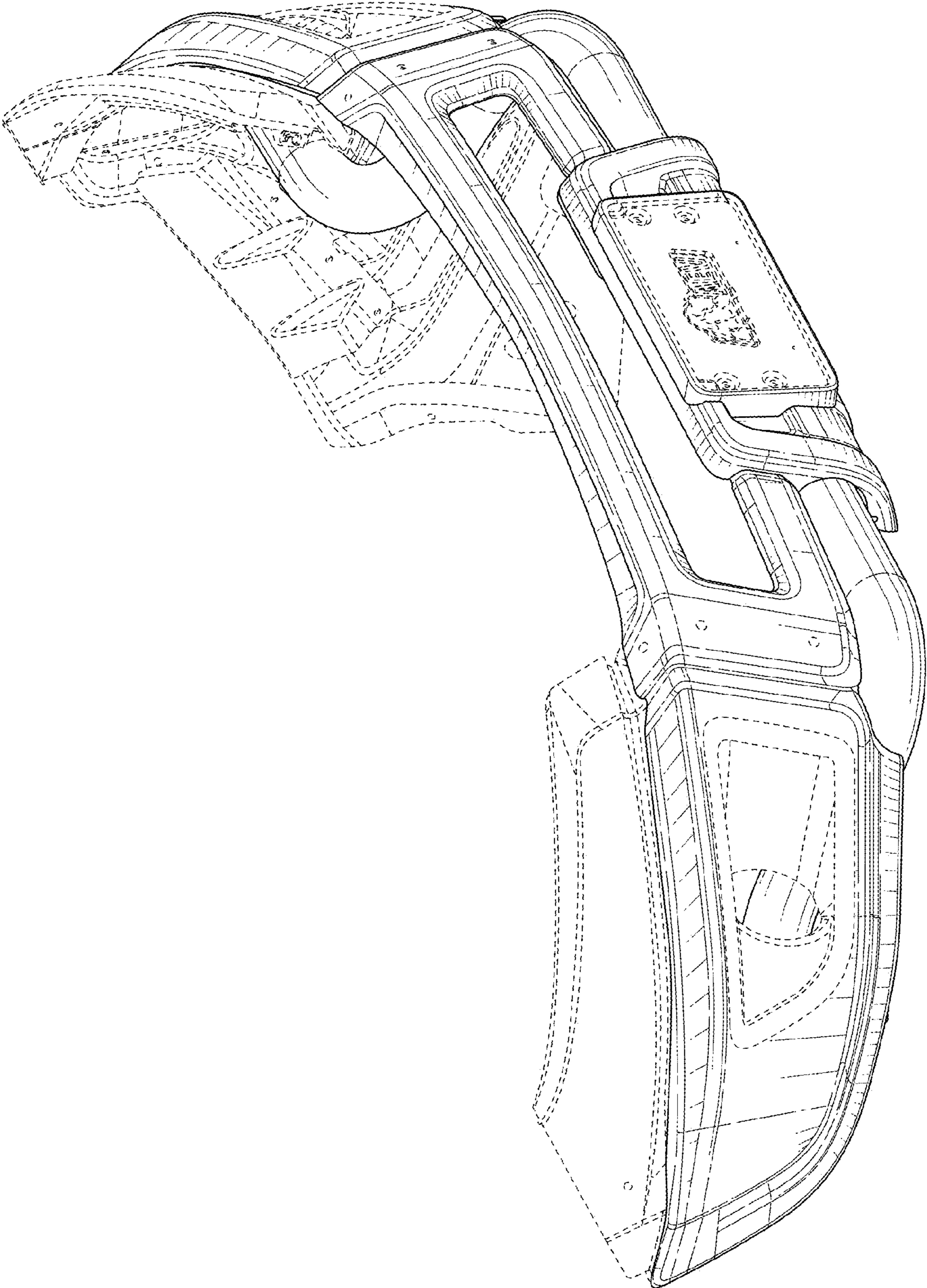


FIG. 1

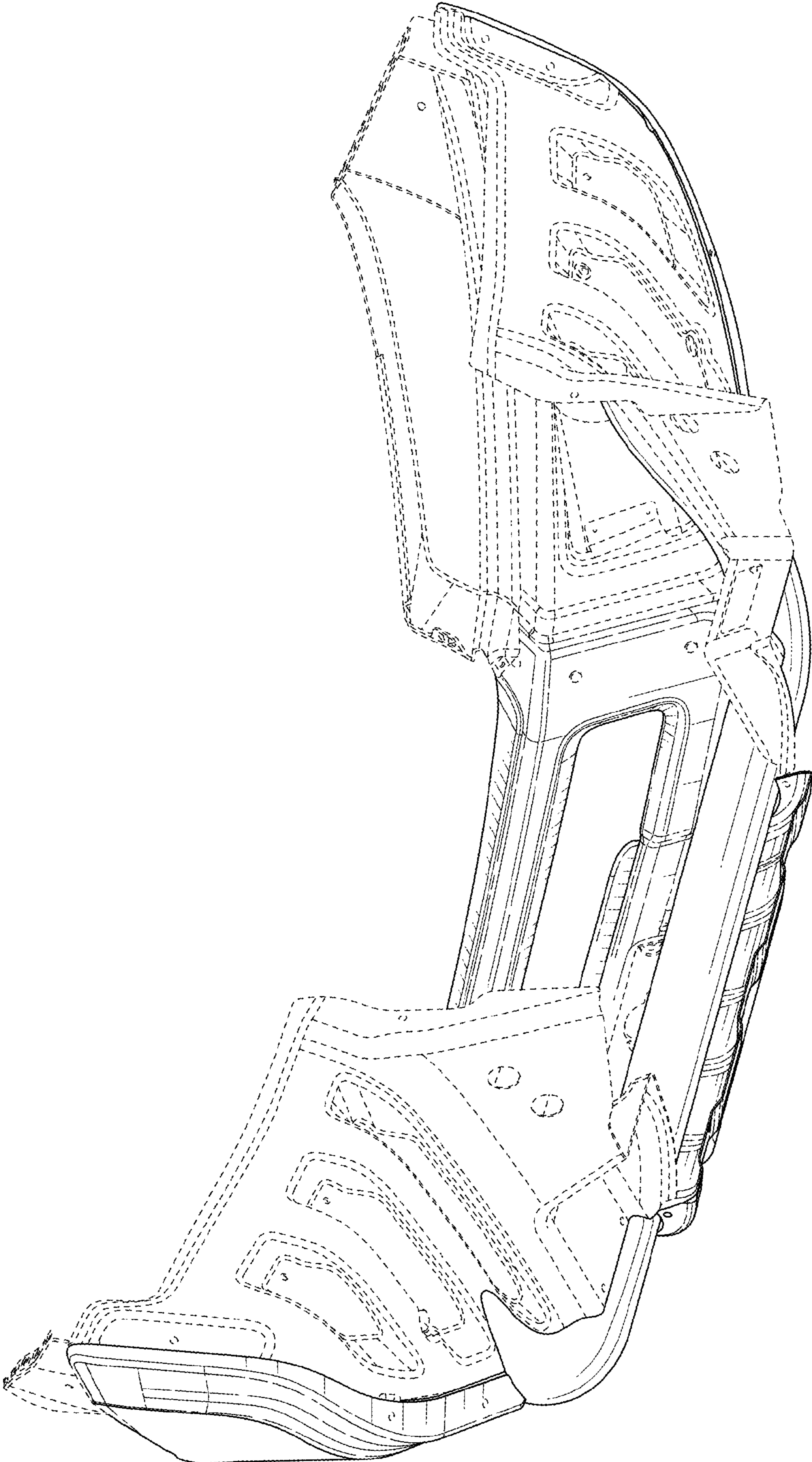


FIG. 2

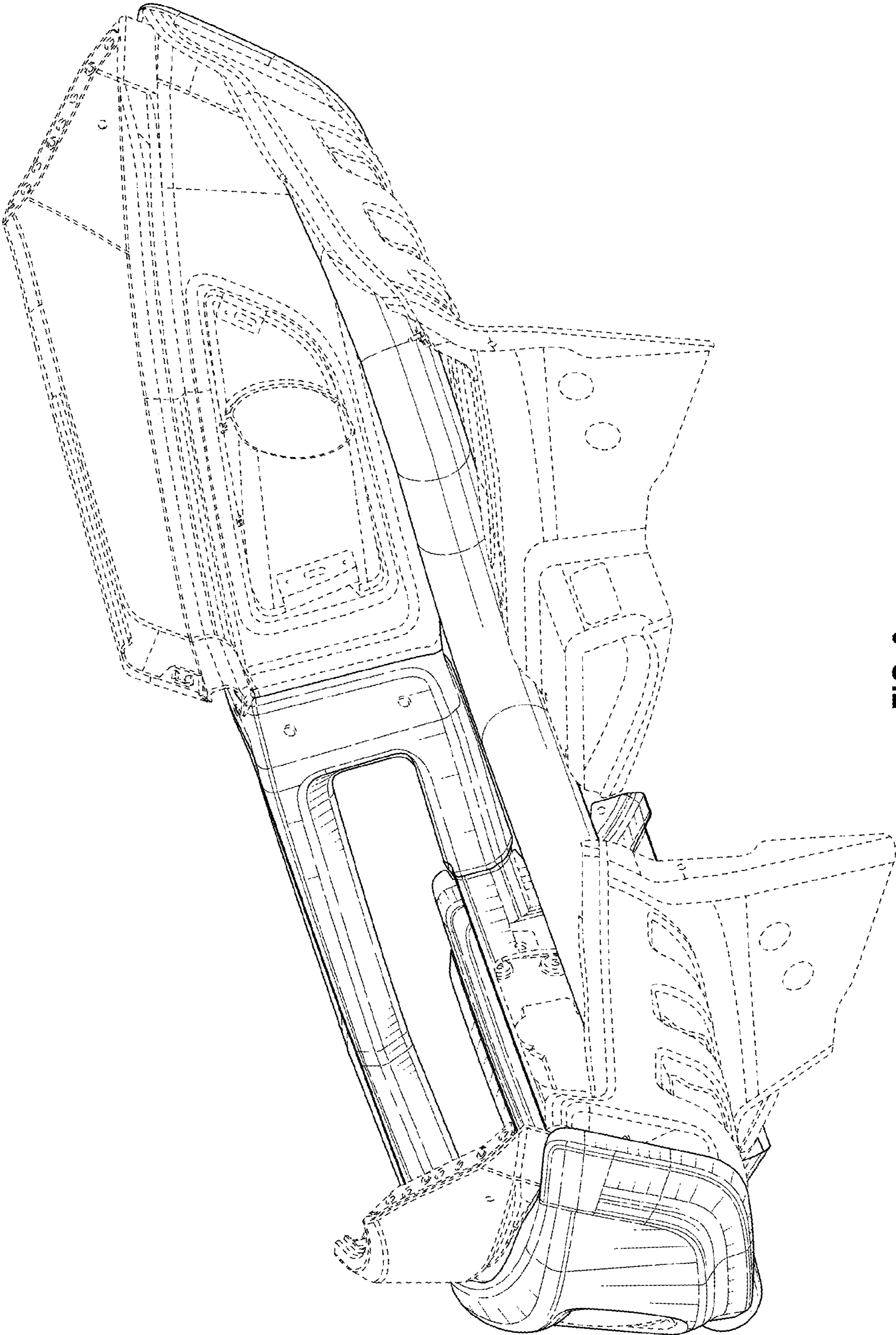


FIG. 3

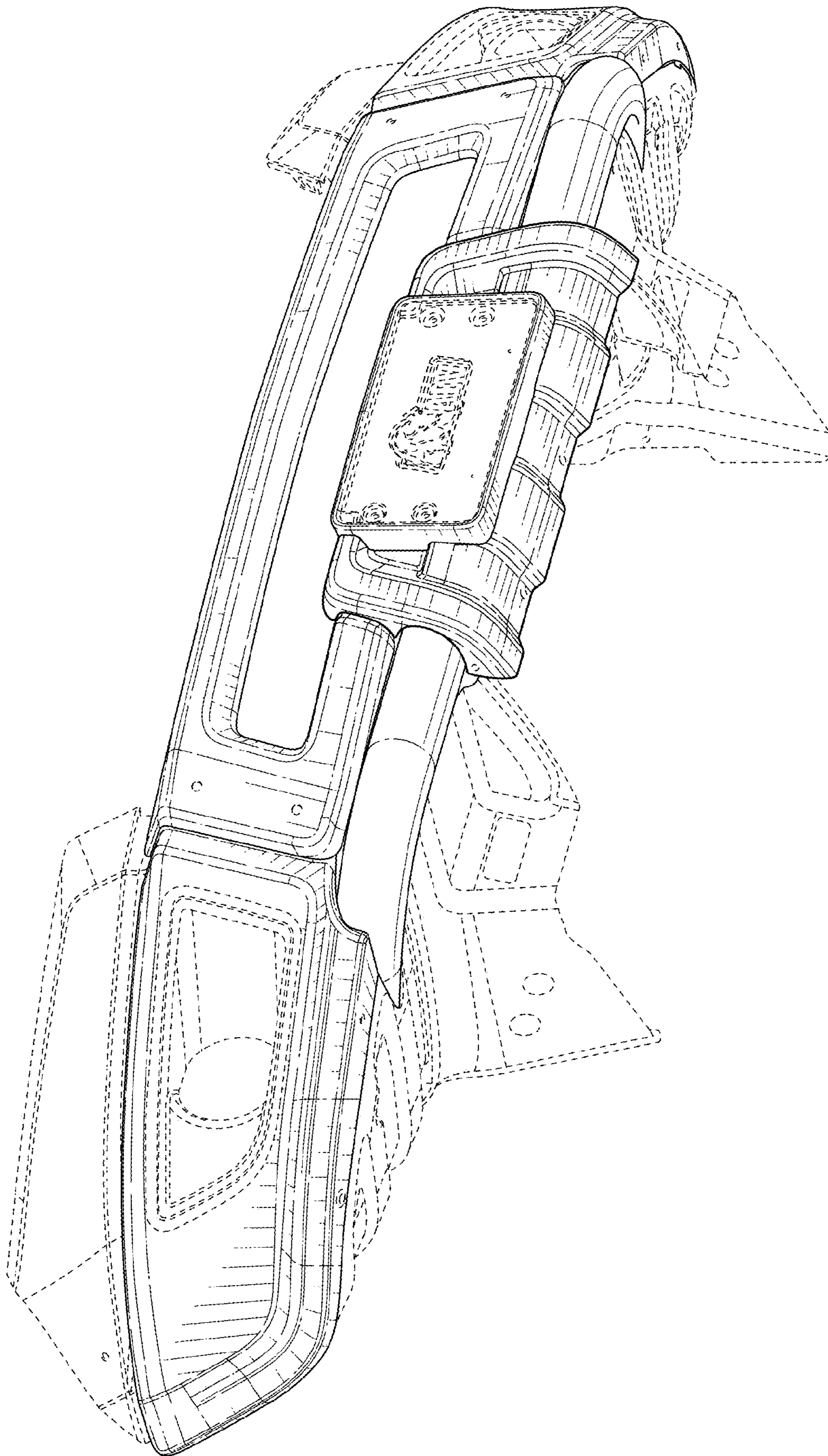


FIG. 4

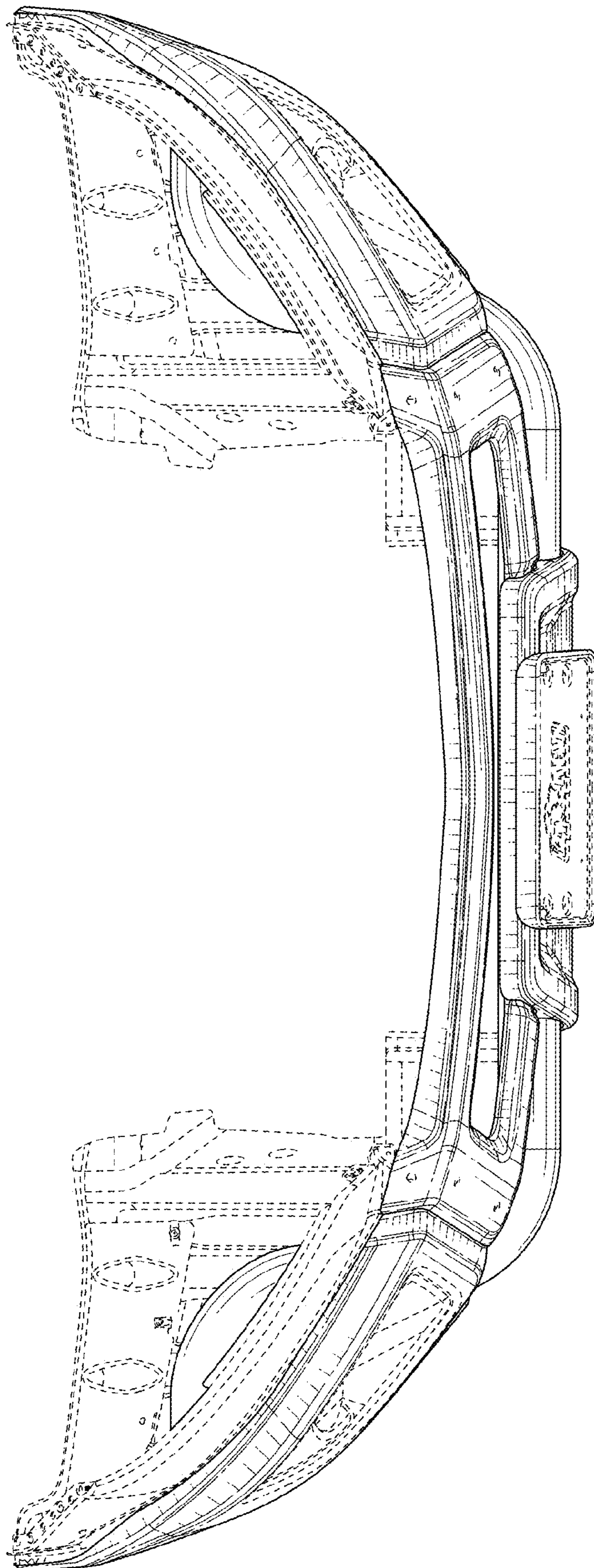


FIG. 5

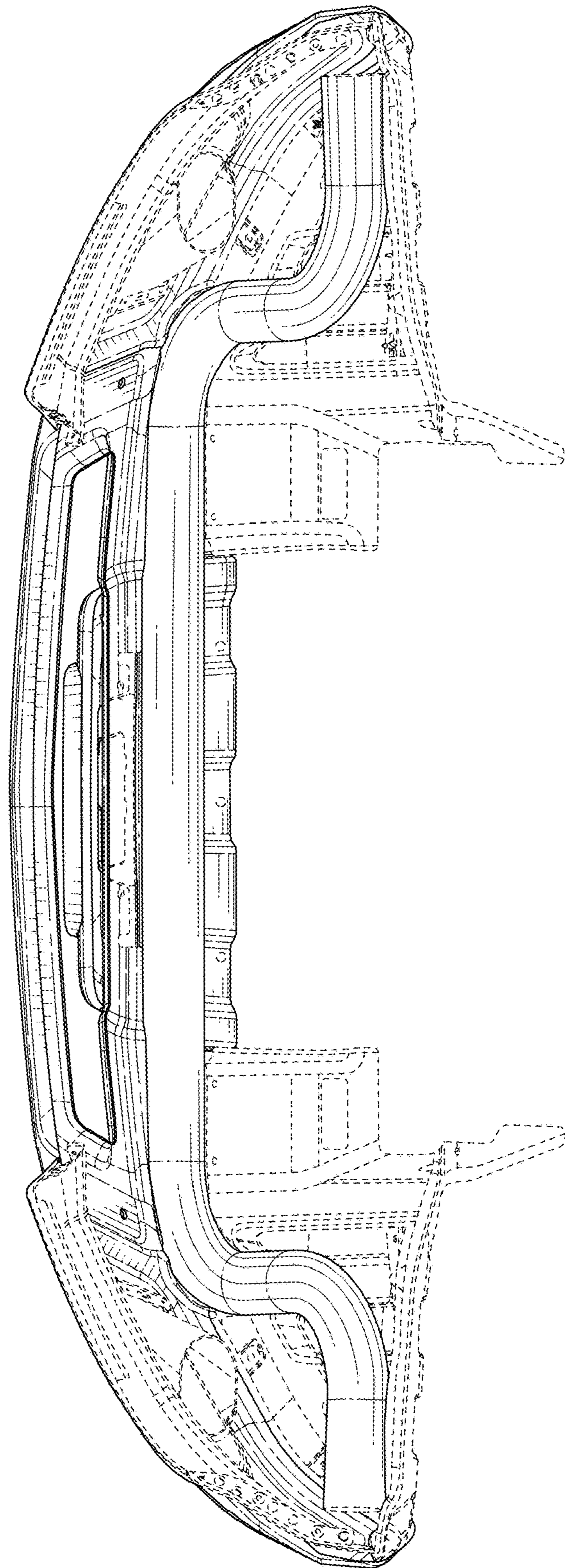


FIG. 6

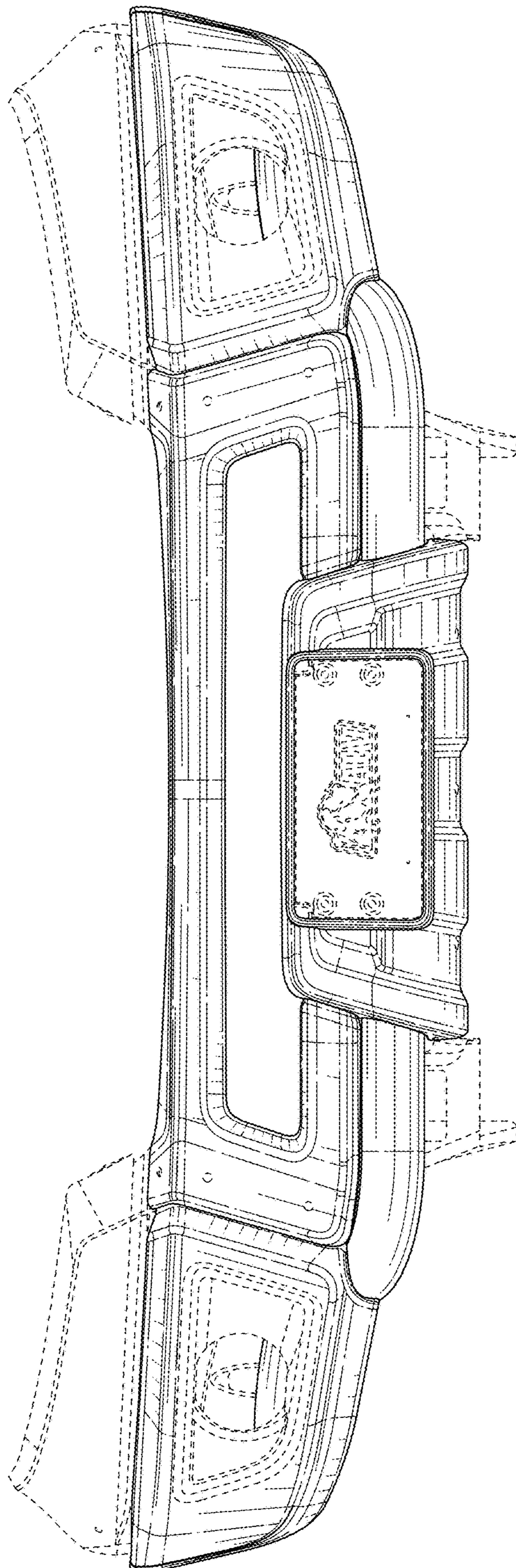


FIG. 7

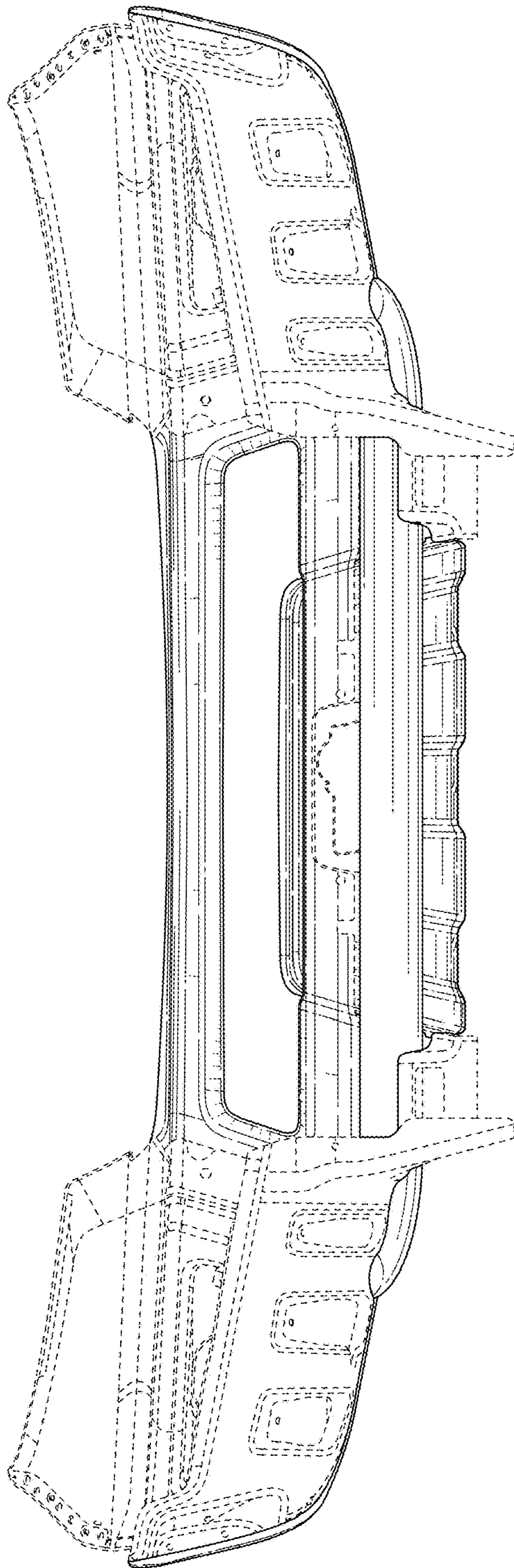


FIG. 8

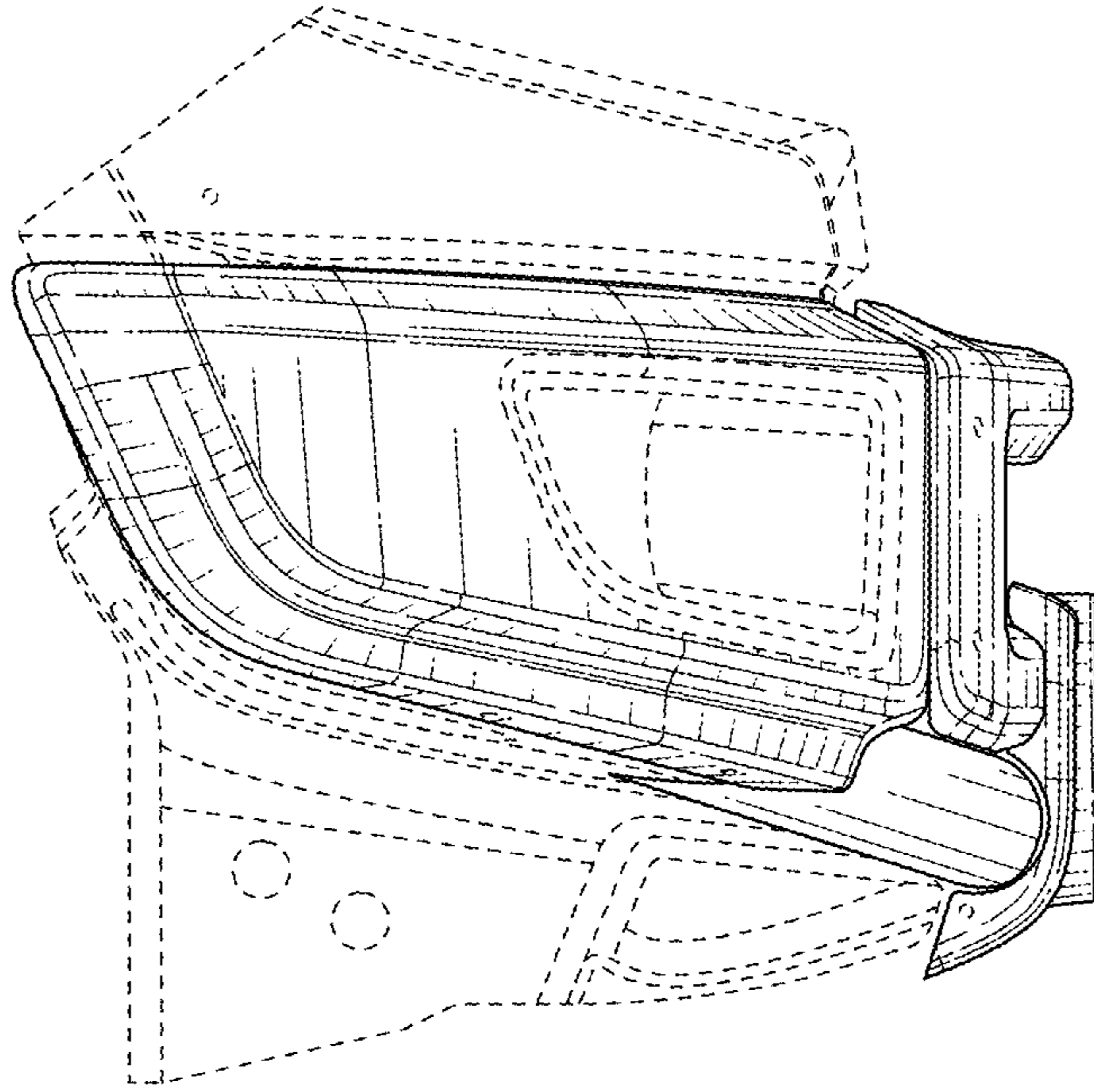


FIG. 9

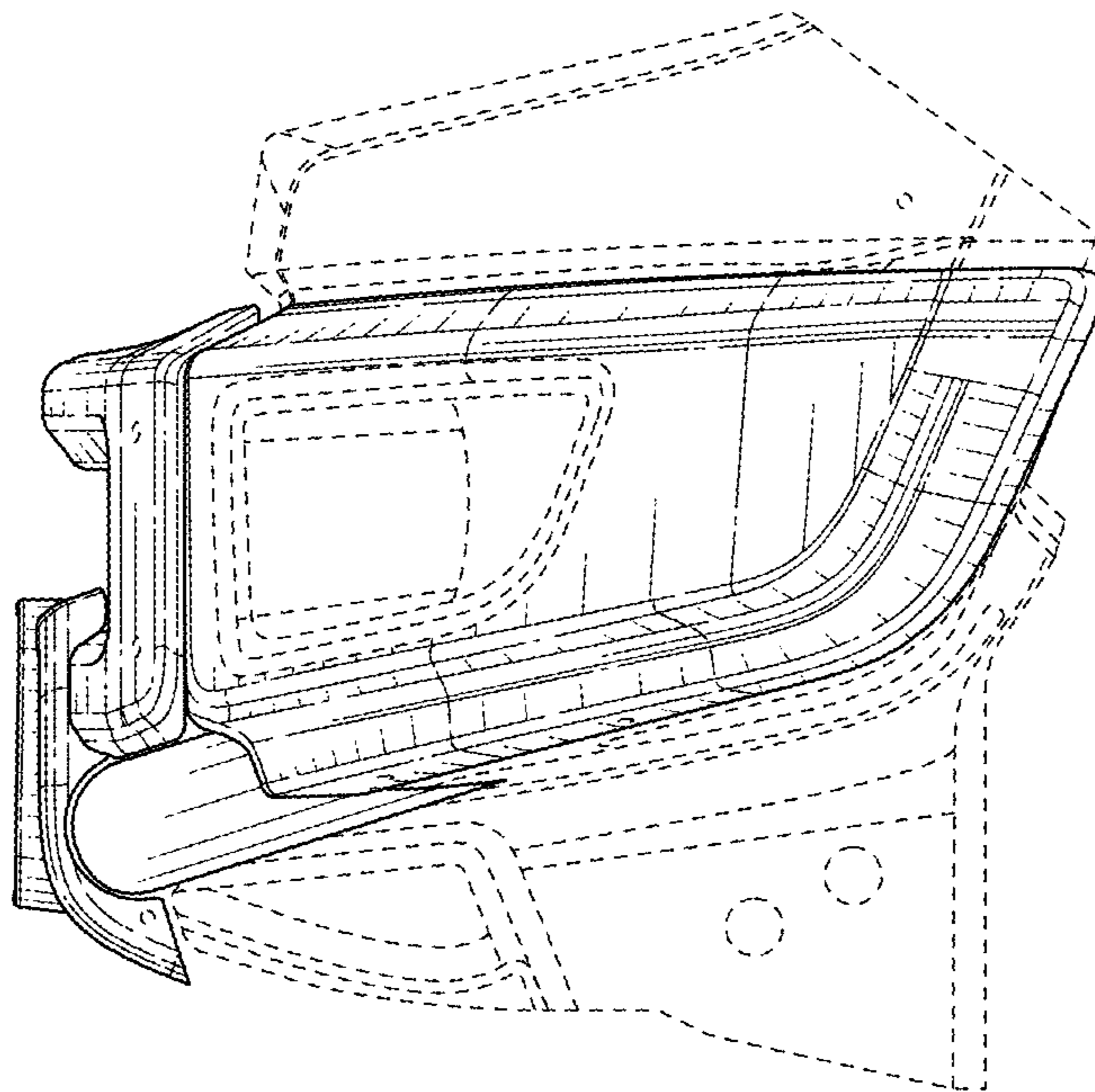


FIG. 10

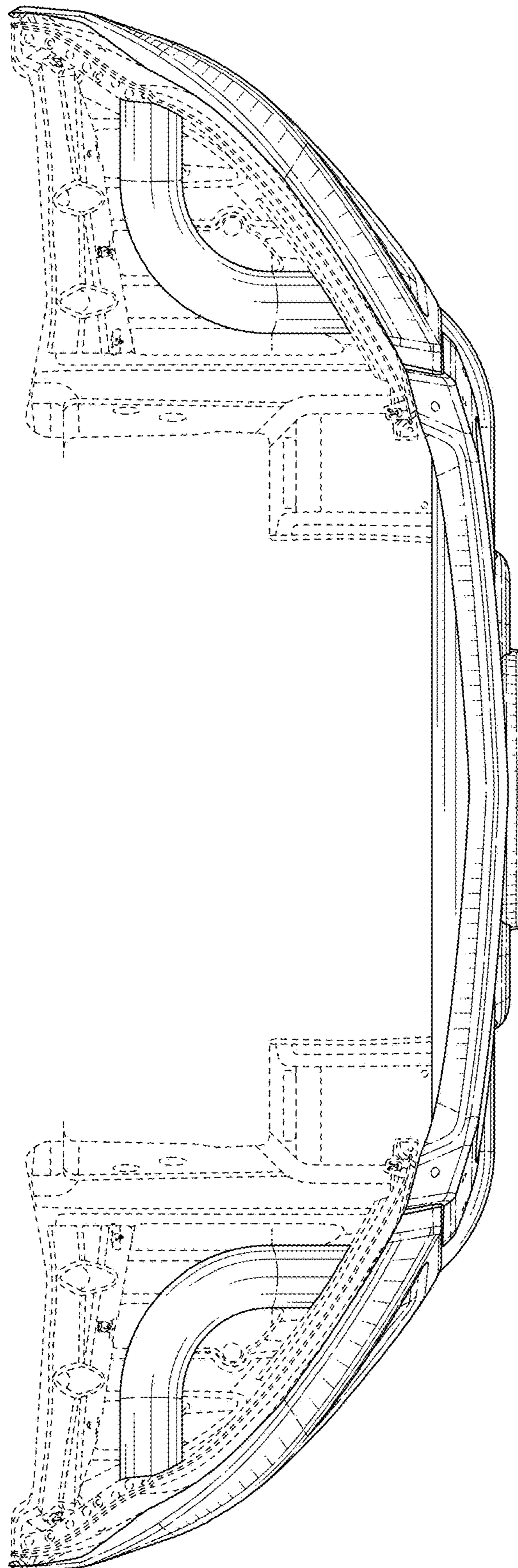


FIG. 11

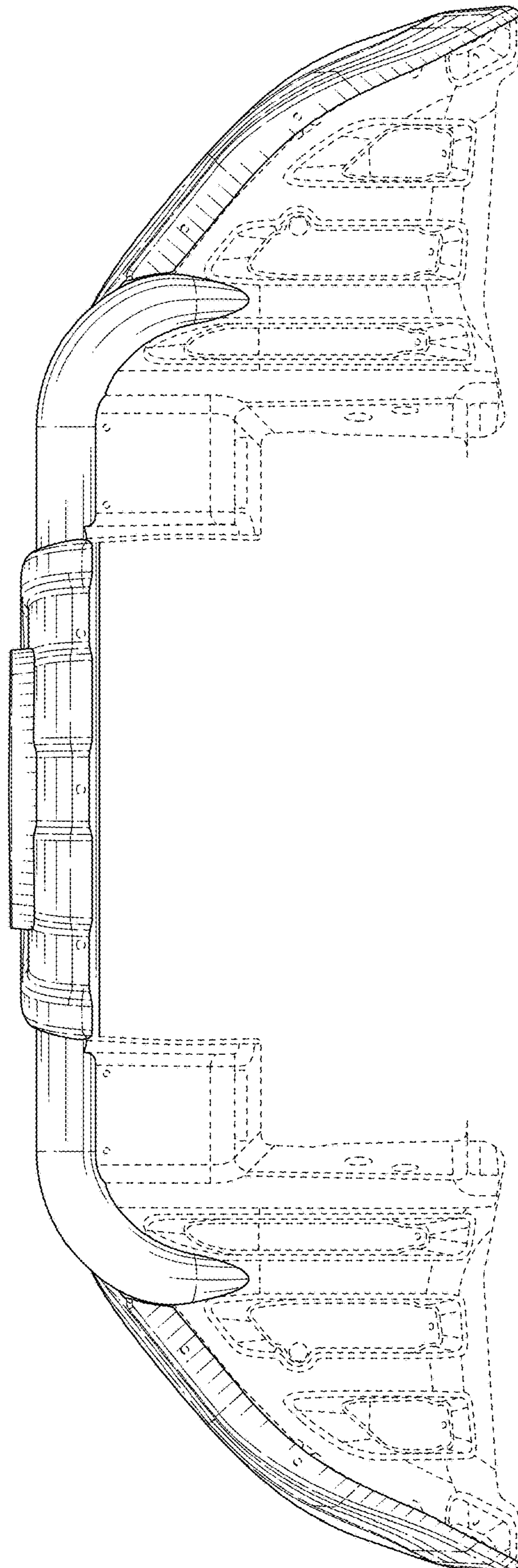


FIG. 12

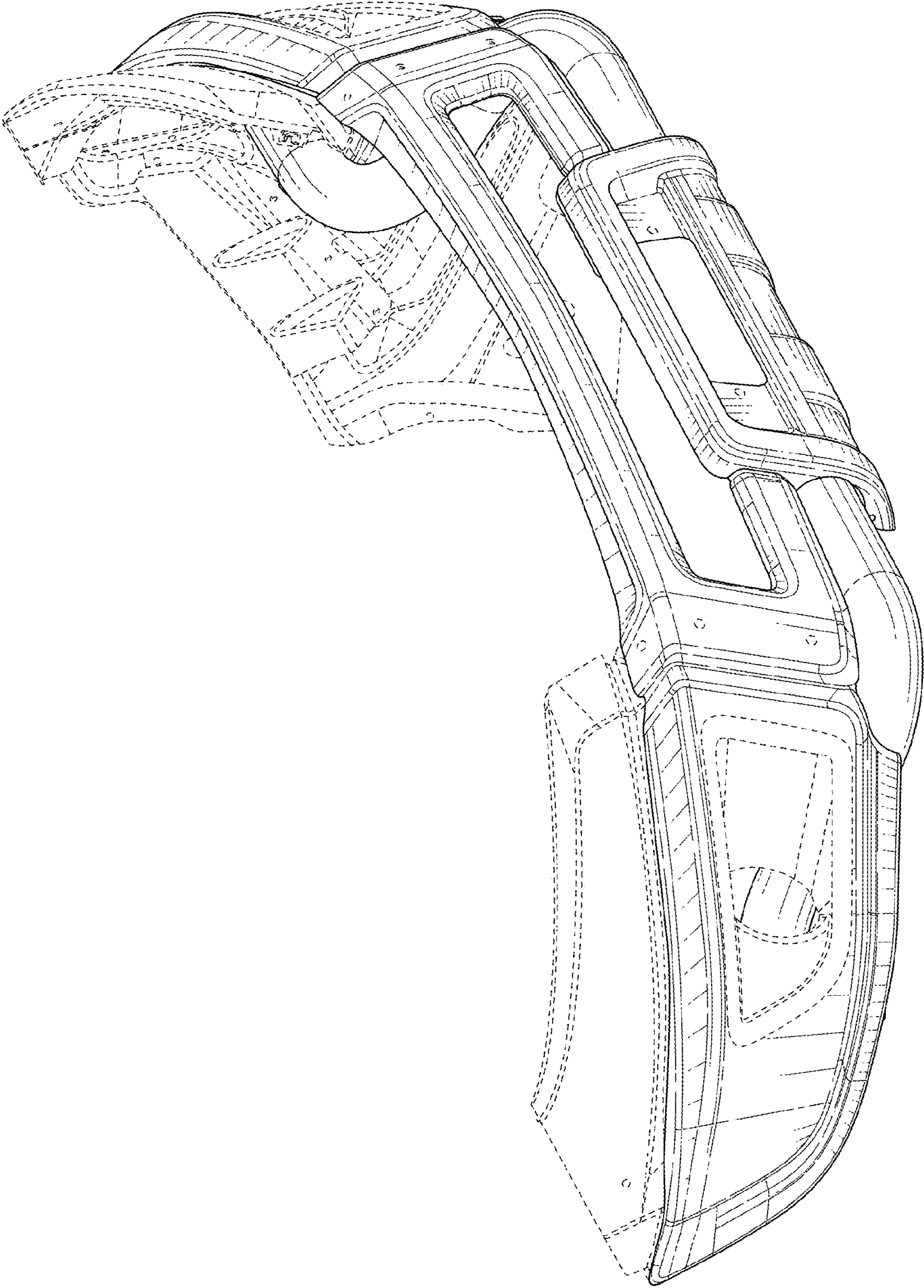


FIG. 13

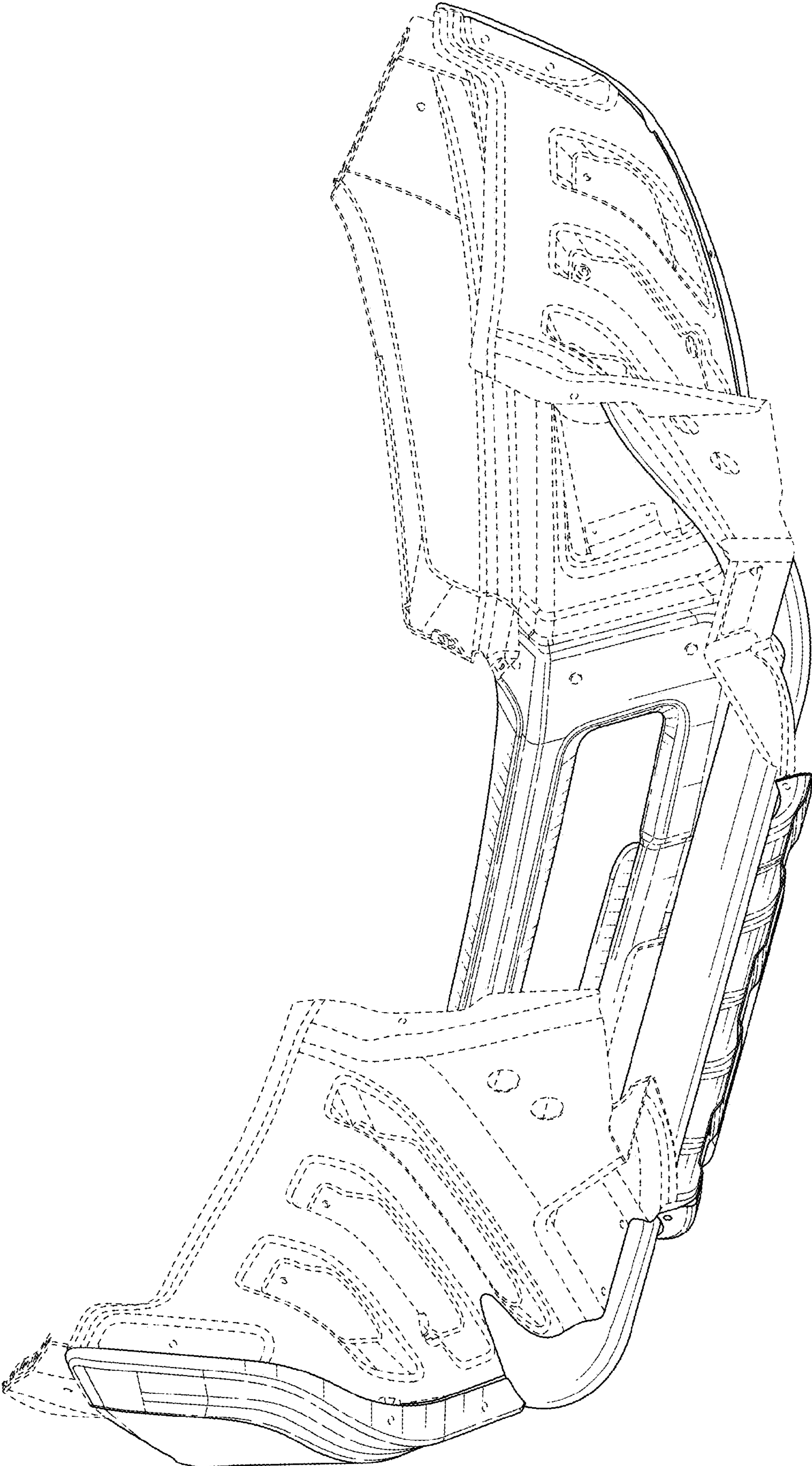


FIG. 14

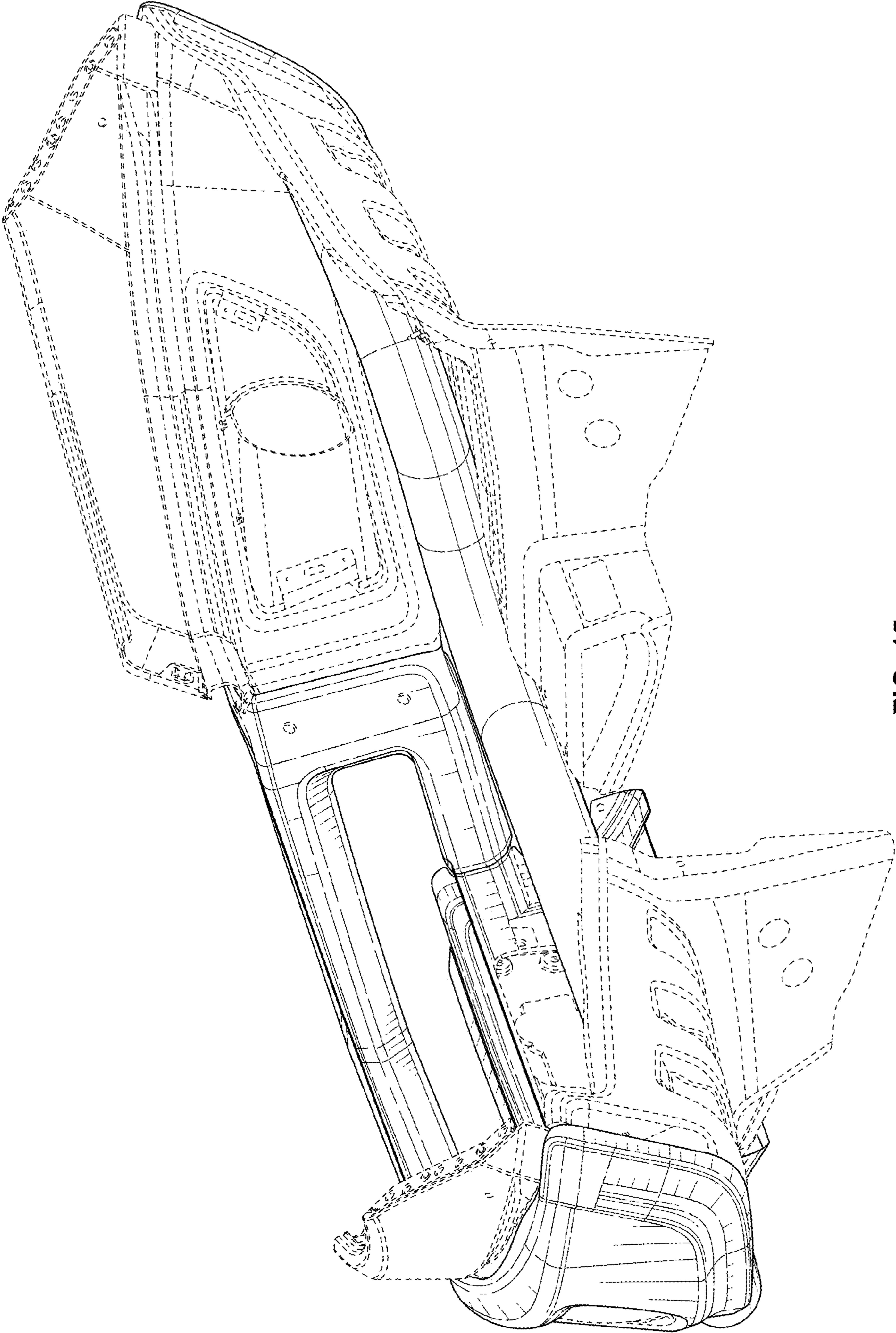


FIG. 15

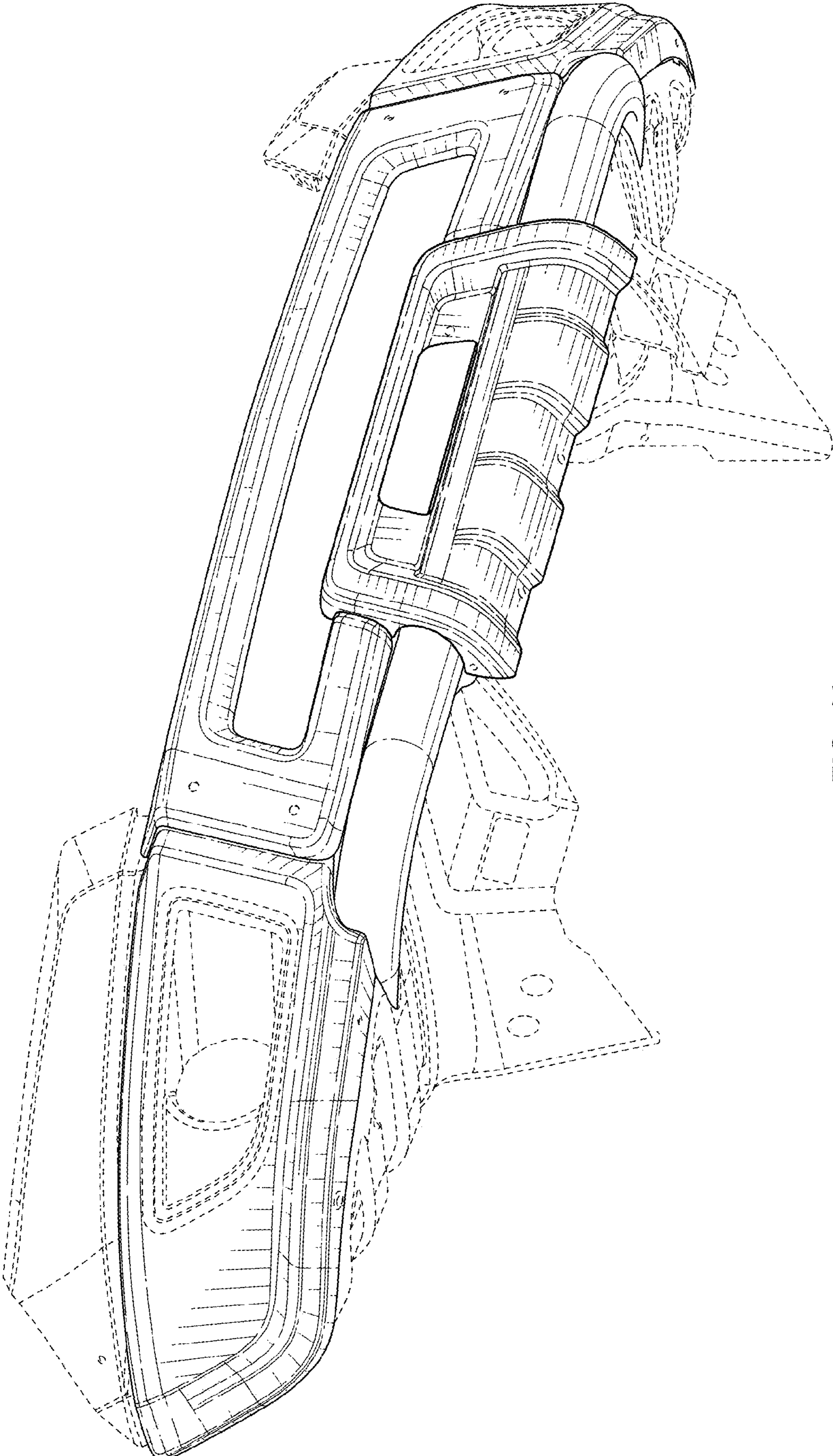


FIG. 16

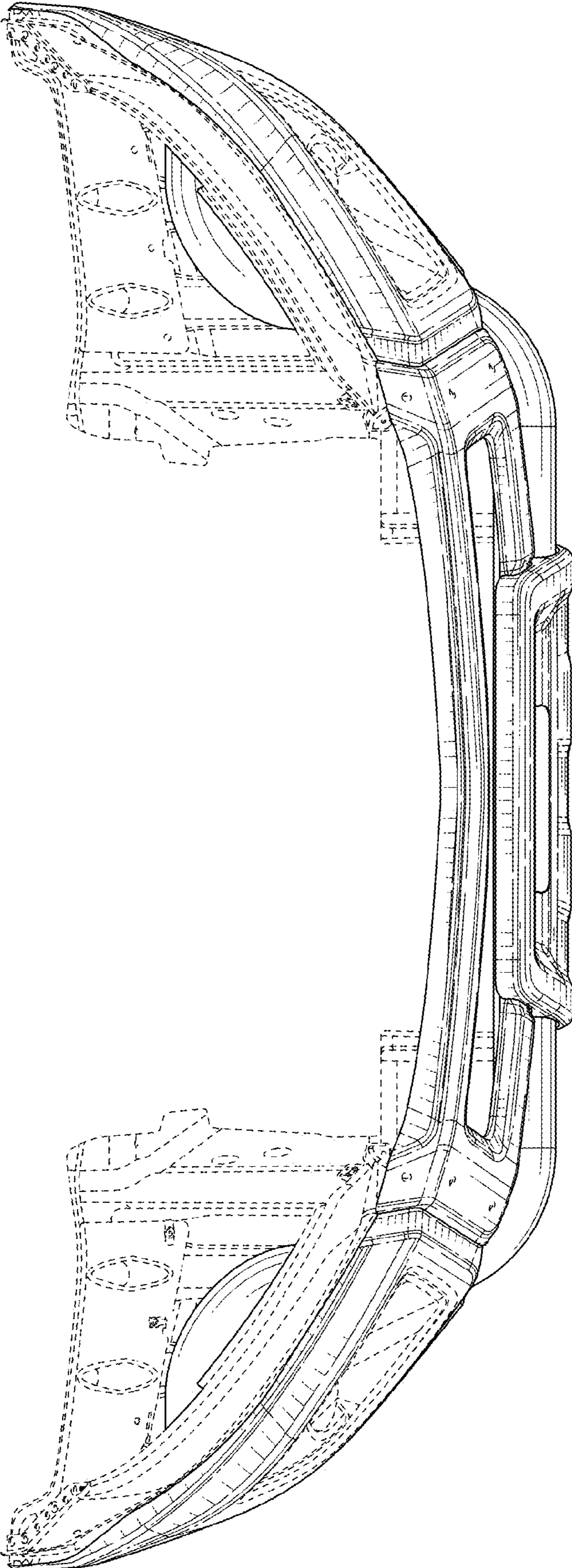


FIG. 17

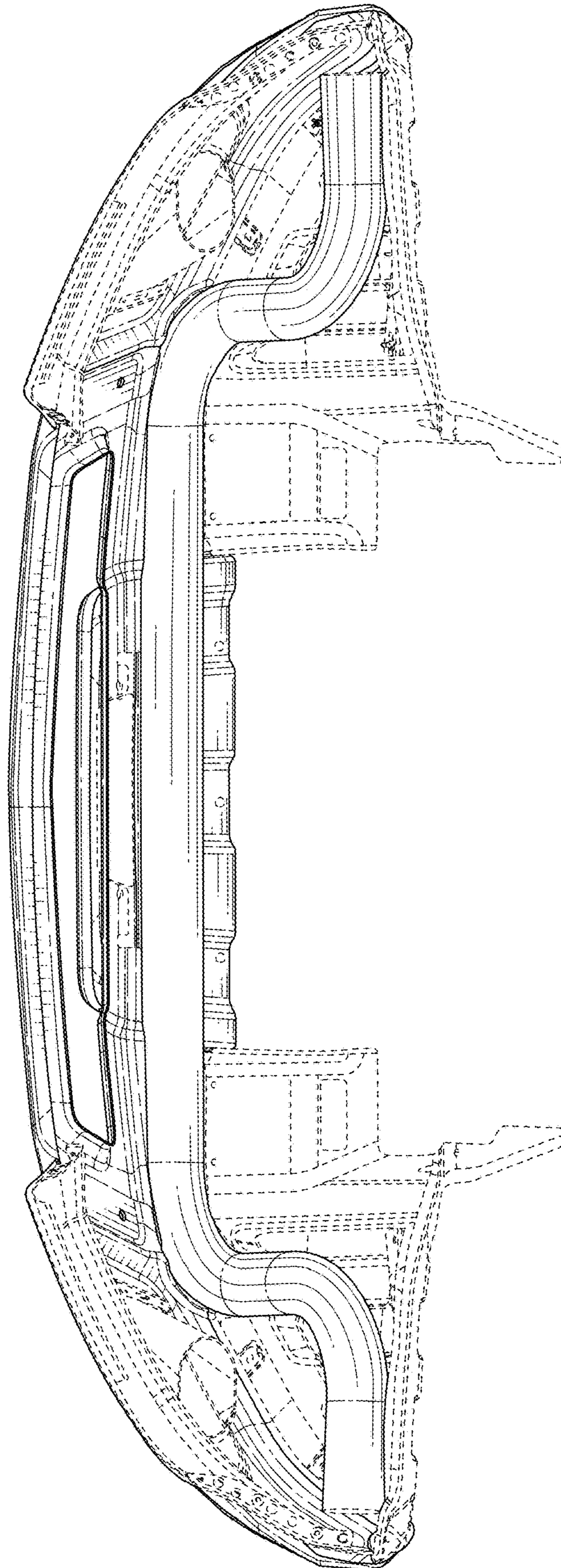


FIG. 18

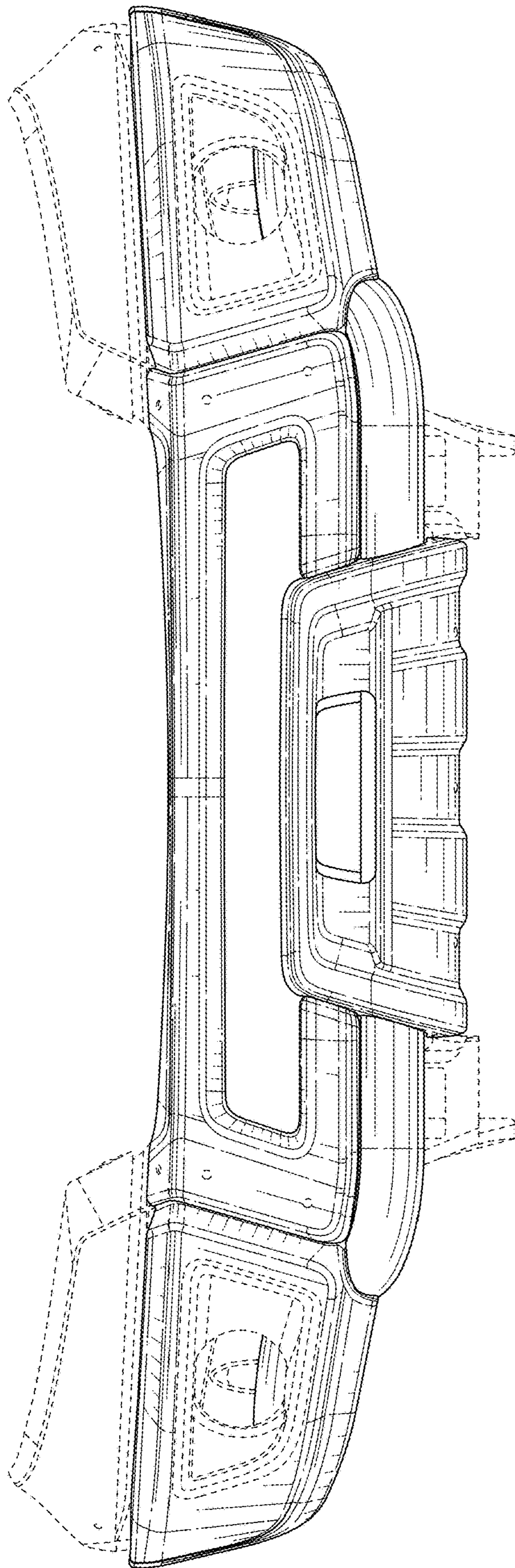


FIG. 19

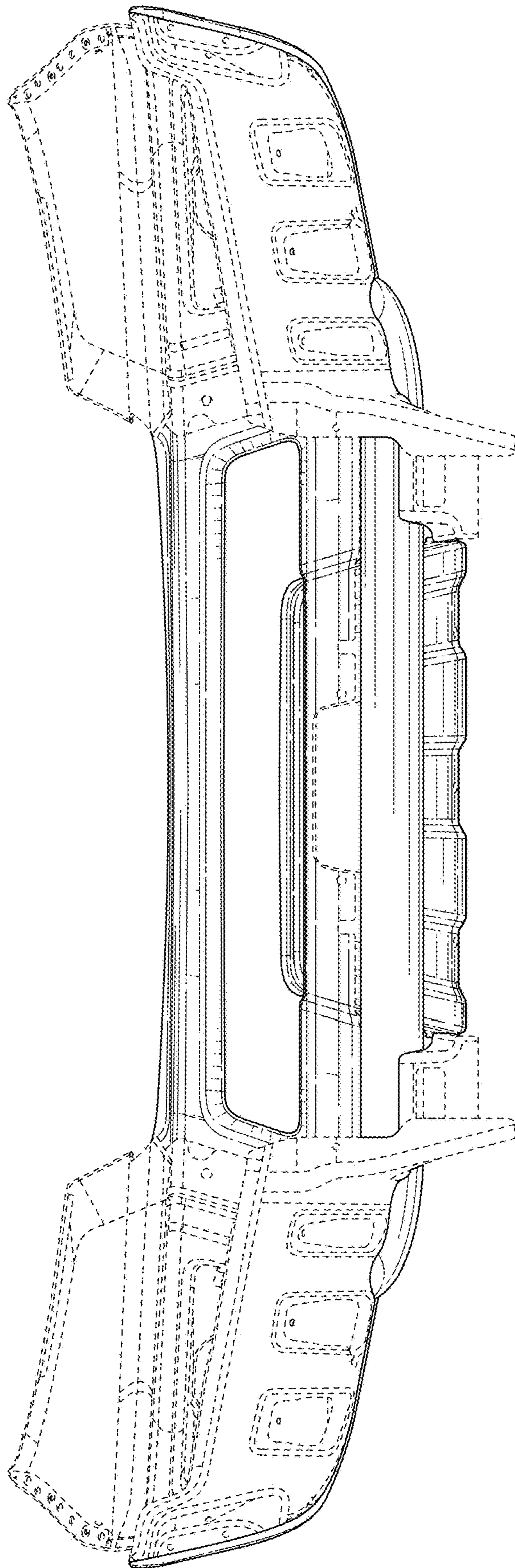


FIG. 20

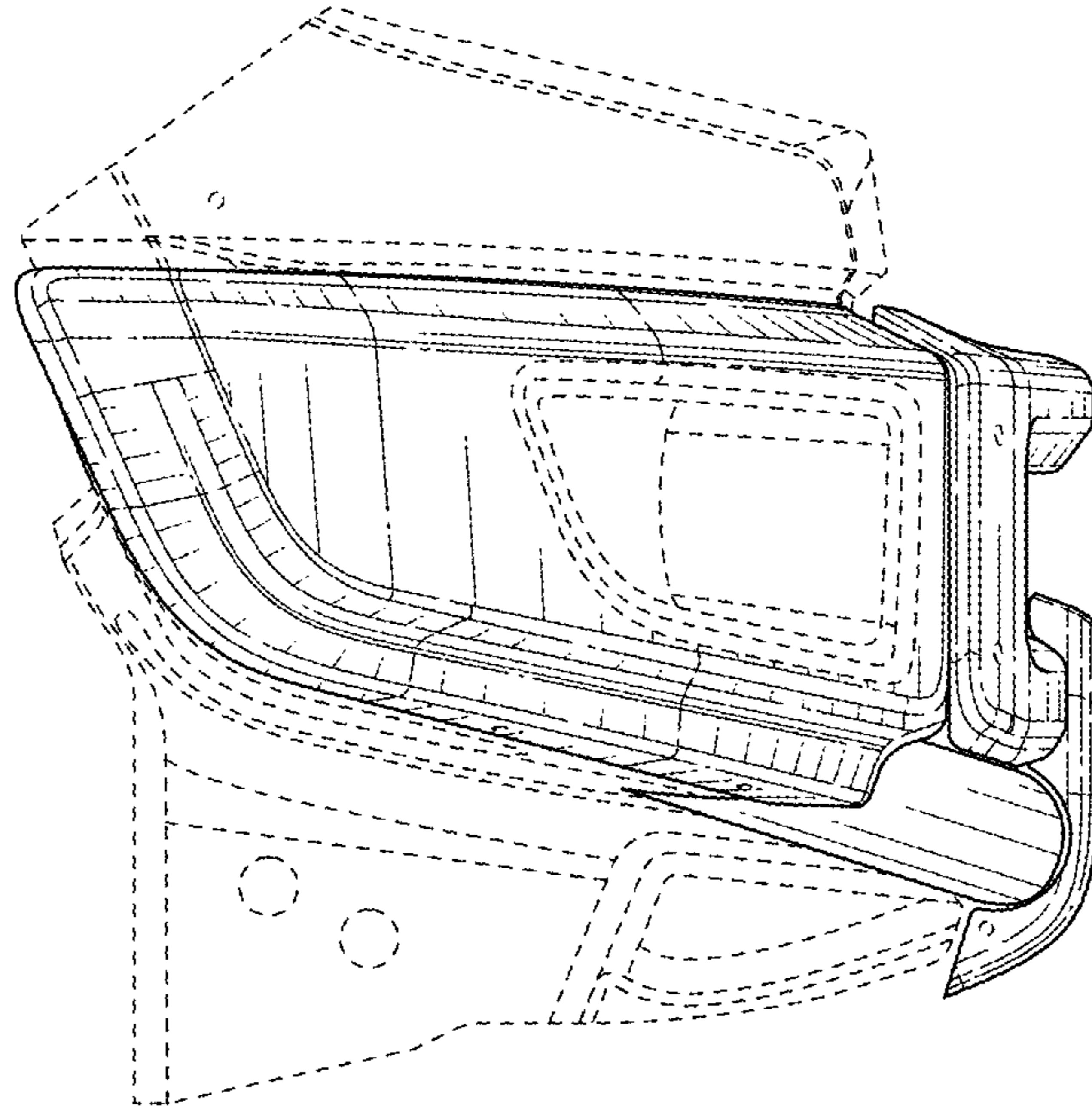


FIG. 21

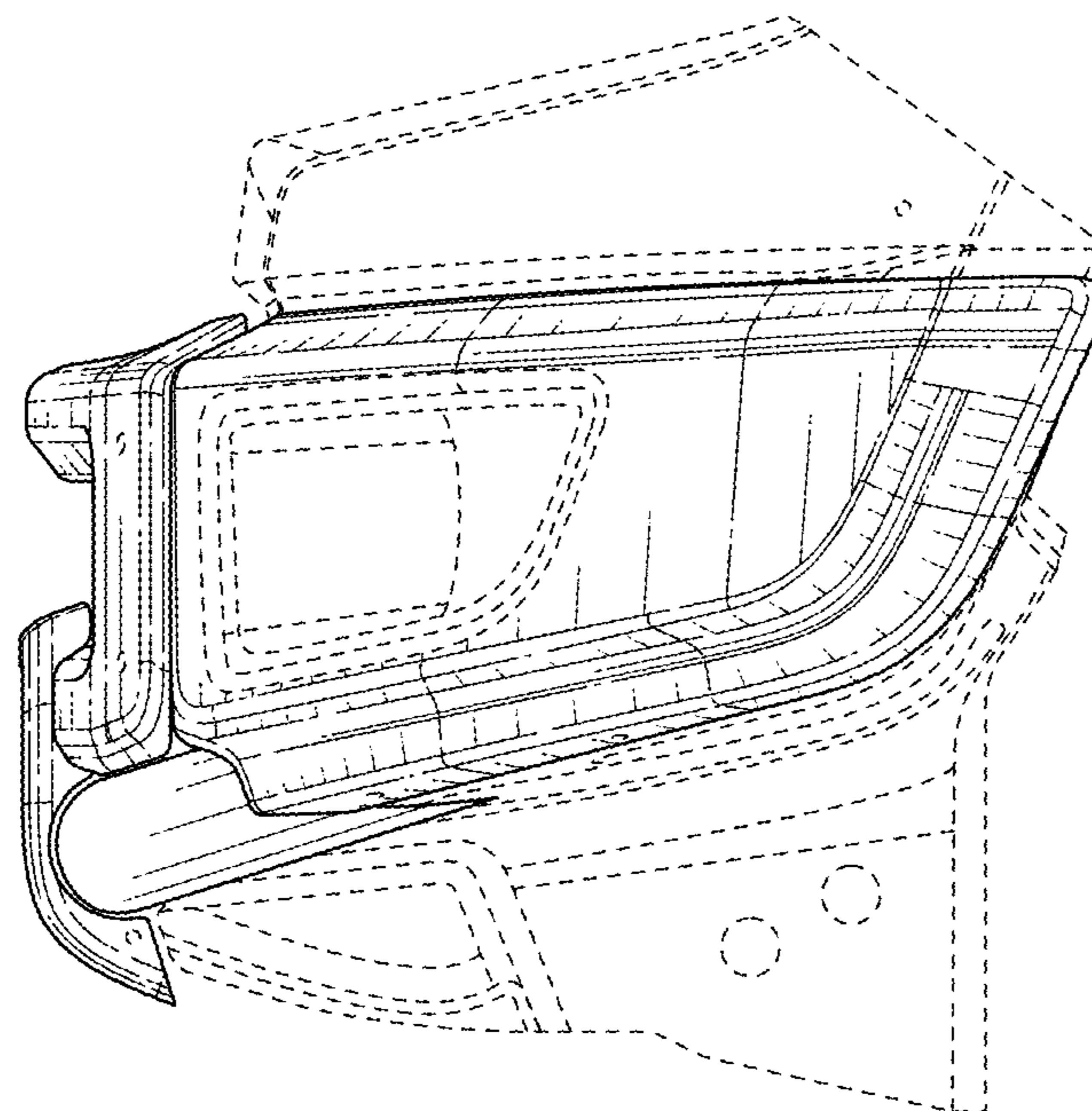


FIG. 22

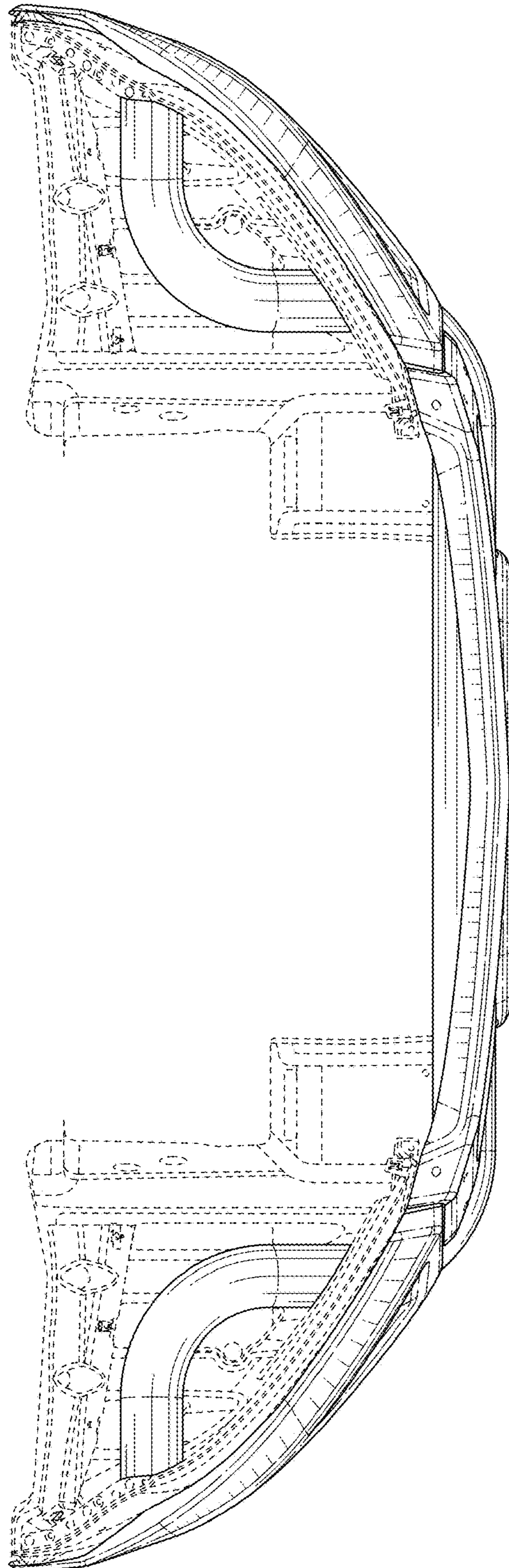


FIG. 23

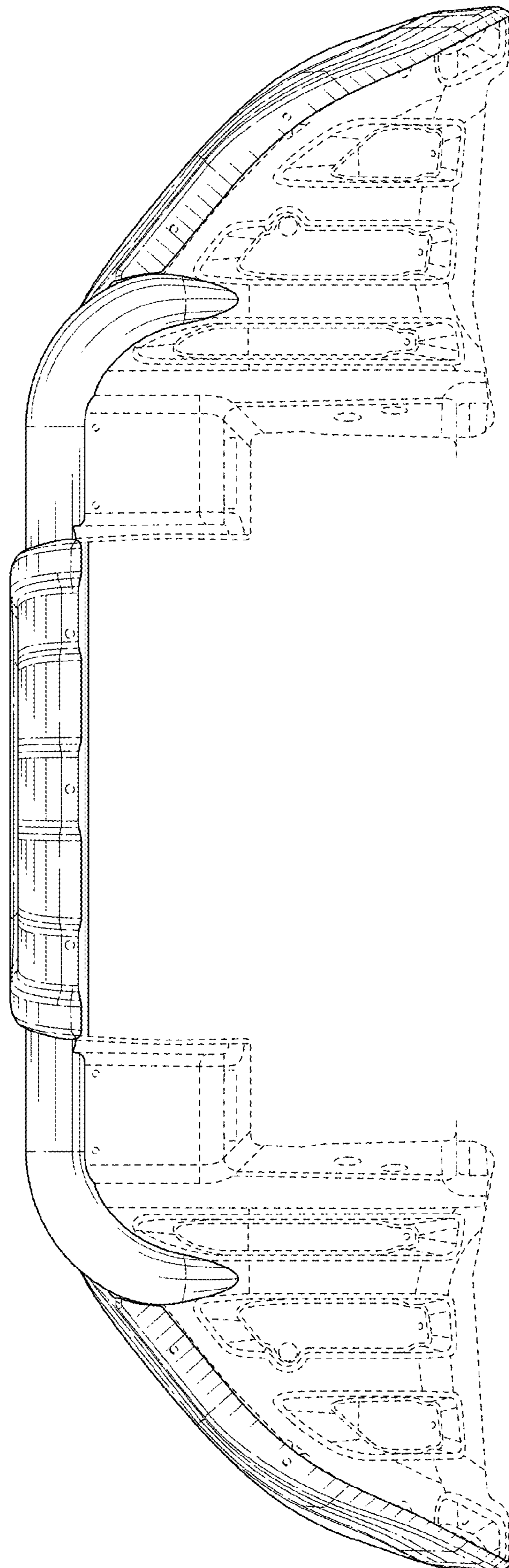


FIG. 24