



US00D876993S

(12) **United States Design Patent**
Koshiishi

(10) **Patent No.:** **US D876,993 S**
(45) **Date of Patent:** **** Mar. 3, 2020**

(54) **SPORTS-SPECIFIC WHEELCHAIR**

(71) Applicant: **HONDA MOTOR CO., LTD.**, Tokyo (JP)

(72) Inventor: **Takeshi Koshiishi**, Wako (JP)

(73) Assignee: **HONDA MOTOR CO., LTD.**, Tokyo (JP)

(**) Term: **15 Years**

(21) Appl. No.: **29/664,667**

(22) Filed: **Sep. 27, 2018**

(30) **Foreign Application Priority Data**

Mar. 30, 2018 (JP) 2018-006921

(51) **LOC (12) Cl.** **12-12**

(52) **U.S. Cl.**
USPC **D12/131**

(58) **Field of Classification Search**
USPC D12/128–133
CPC A61G 5/04; A61G 5/041–047; A61G
2005/048

See application file for complete search history.

(56) **References Cited**

U.S. PATENT DOCUMENTS

D488,109 S * 4/2004 Koshiishi D12/131
D506,165 S * 6/2005 Koike D12/131

8,585,071 B2 * 11/2013 Golden, Jr. A61G 5/02
280/304.1
2011/0254245 A1 * 10/2011 Taylor A61G 5/025
280/250.1
2017/0253075 A1 * 9/2017 Kawahara A61G 5/1051
2017/0304131 A1 * 10/2017 Koshido A61G 5/028
2018/0185209 A1 * 7/2018 Fontanesi A61G 5/02

* cited by examiner

Primary Examiner — Charles D Hanson

(74) *Attorney, Agent, or Firm* — Westerman, Hattori,
Daniels & Adrian, LLP

(57) **CLAIM**

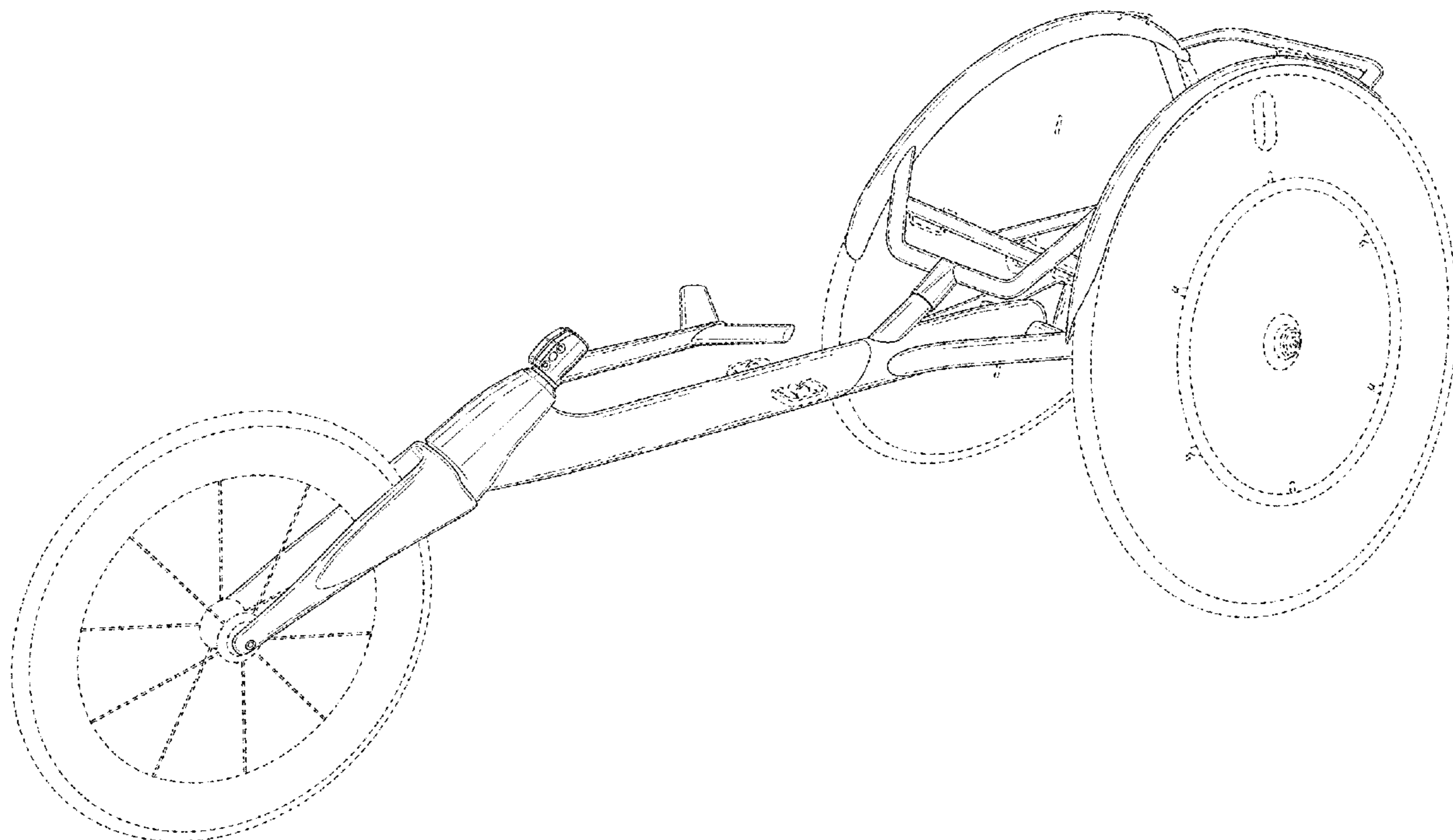
The ornamental design for a sports-specific wheelchair, as shown and described.

DESCRIPTION

FIG. 1 is a front side perspective view of a sports-specific wheelchair;
FIG. 2 is a rear side perspective view thereof;
FIG. 3 is a right side view thereof;
FIG. 4 is a left side view thereof;
FIG. 5 is a front view thereof;
FIG. 6 is a rear view thereof;
FIG. 7 is a top plan view thereof; and,
FIG. 8 is a bottom plan view thereof.

The broken lines in the drawings illustrate portions of the sports-specific wheelchair that form no part of the claimed design.

1 Claim, 8 Drawing Sheets



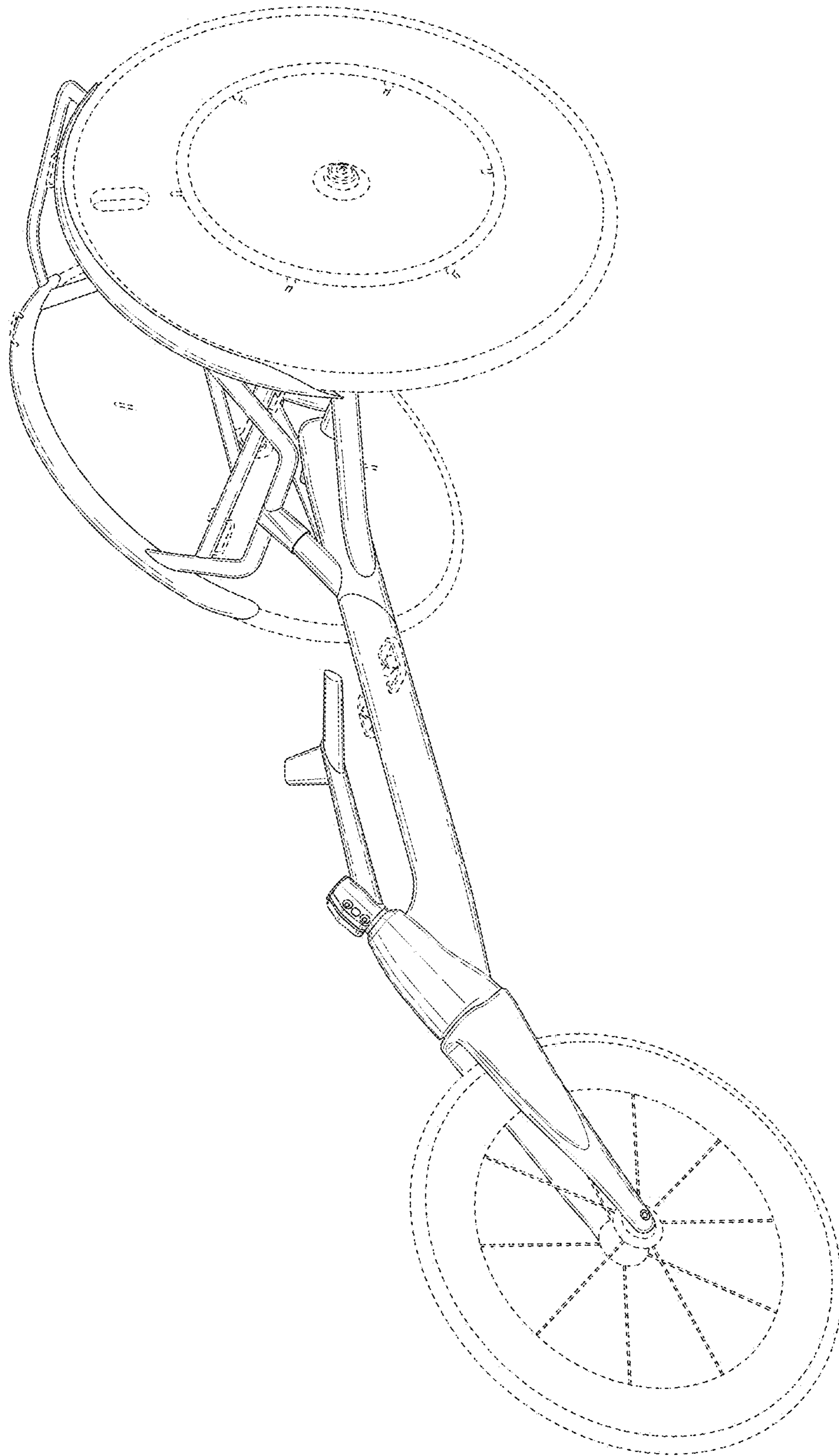


FIG. 1

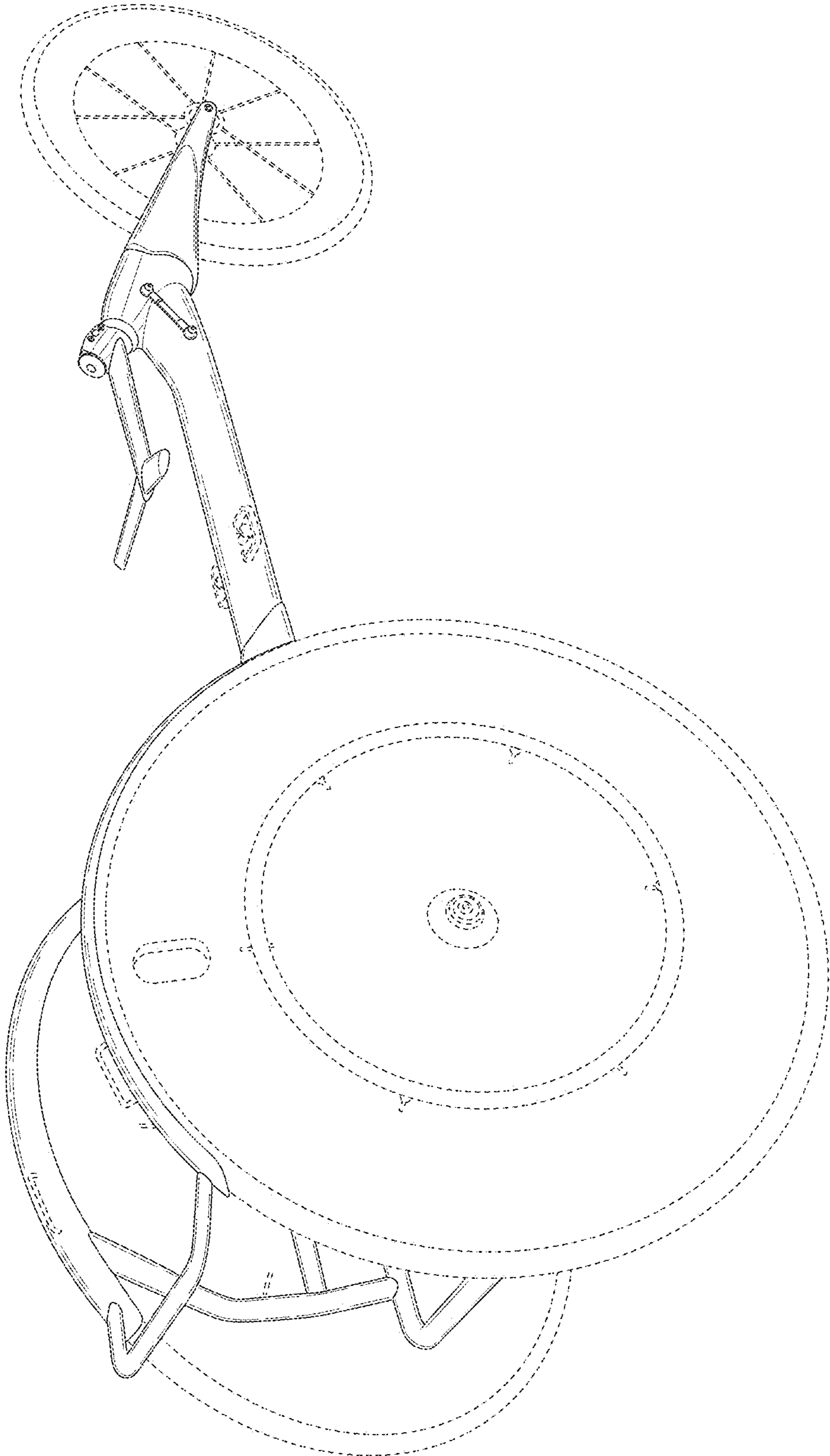


FIG.2

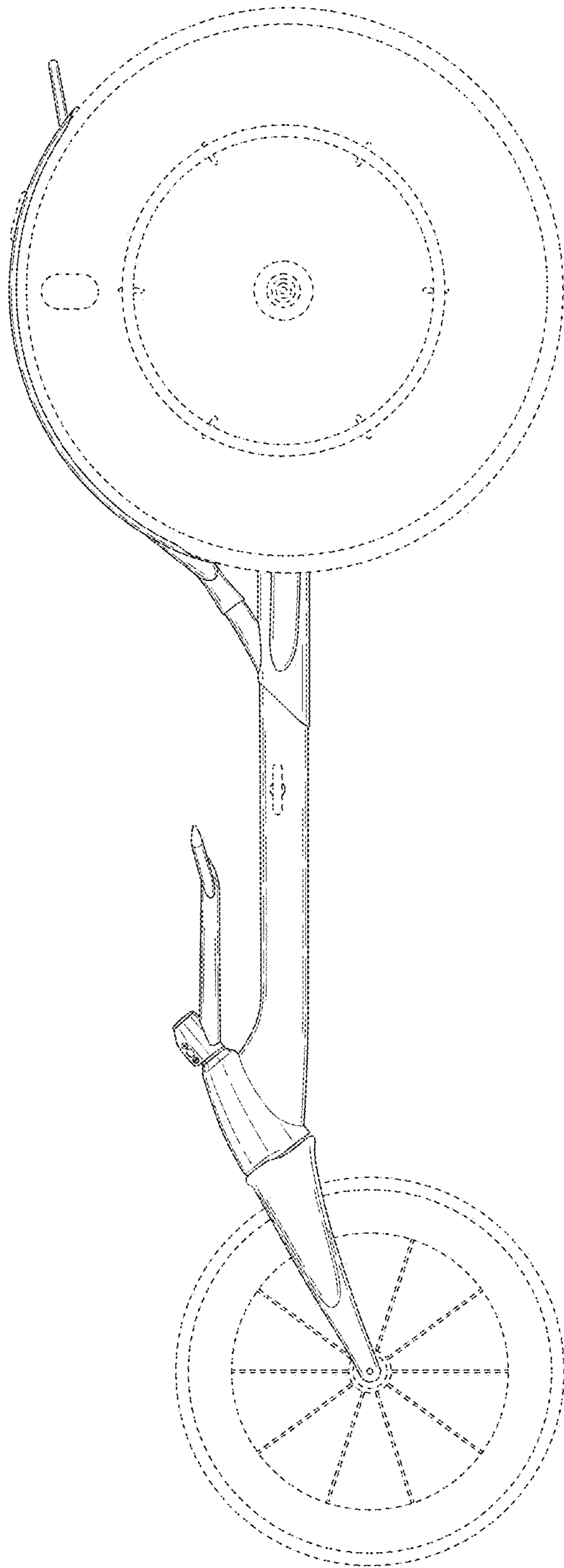


FIG.3

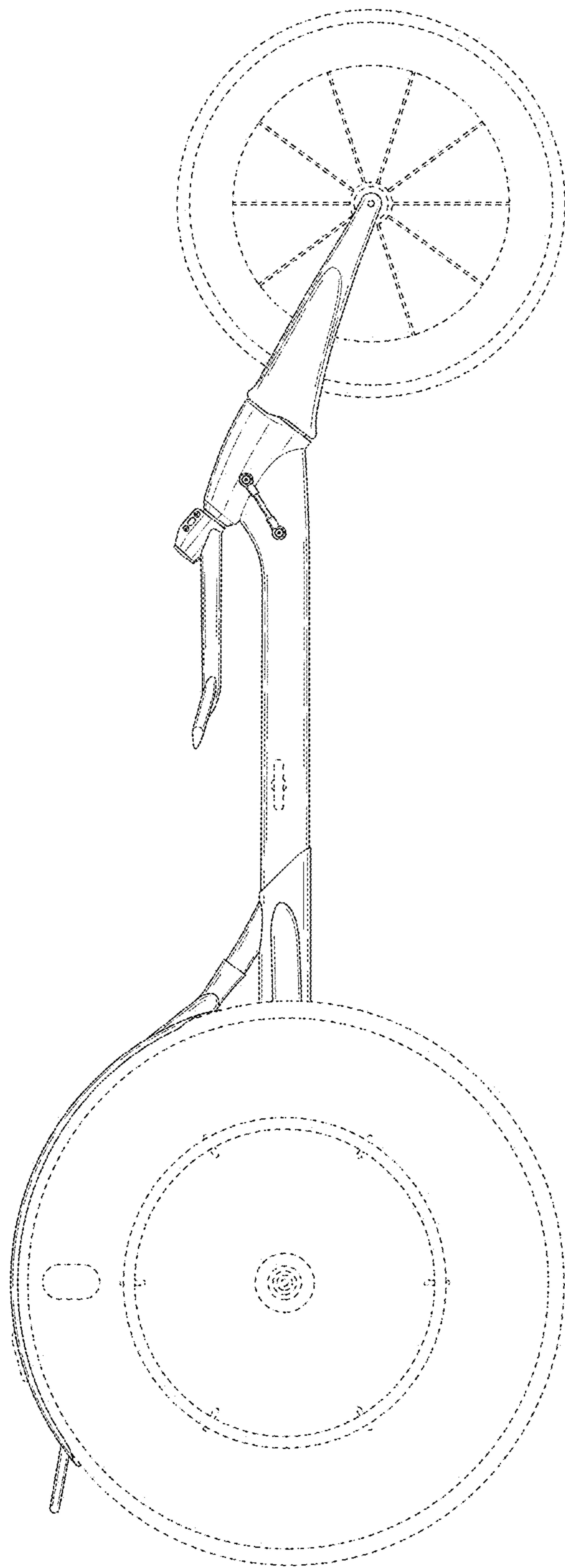


FIG.4

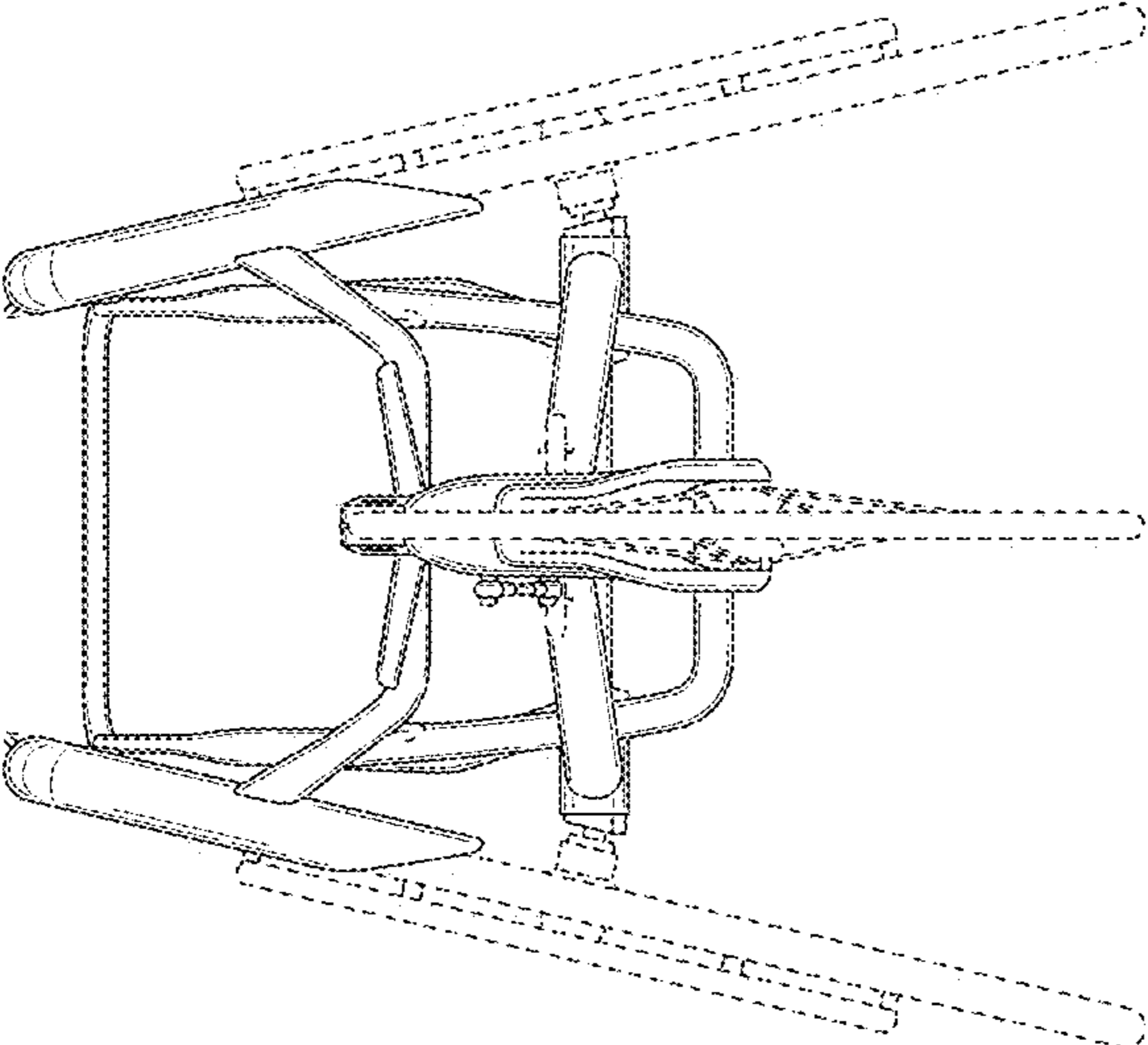


FIG.5

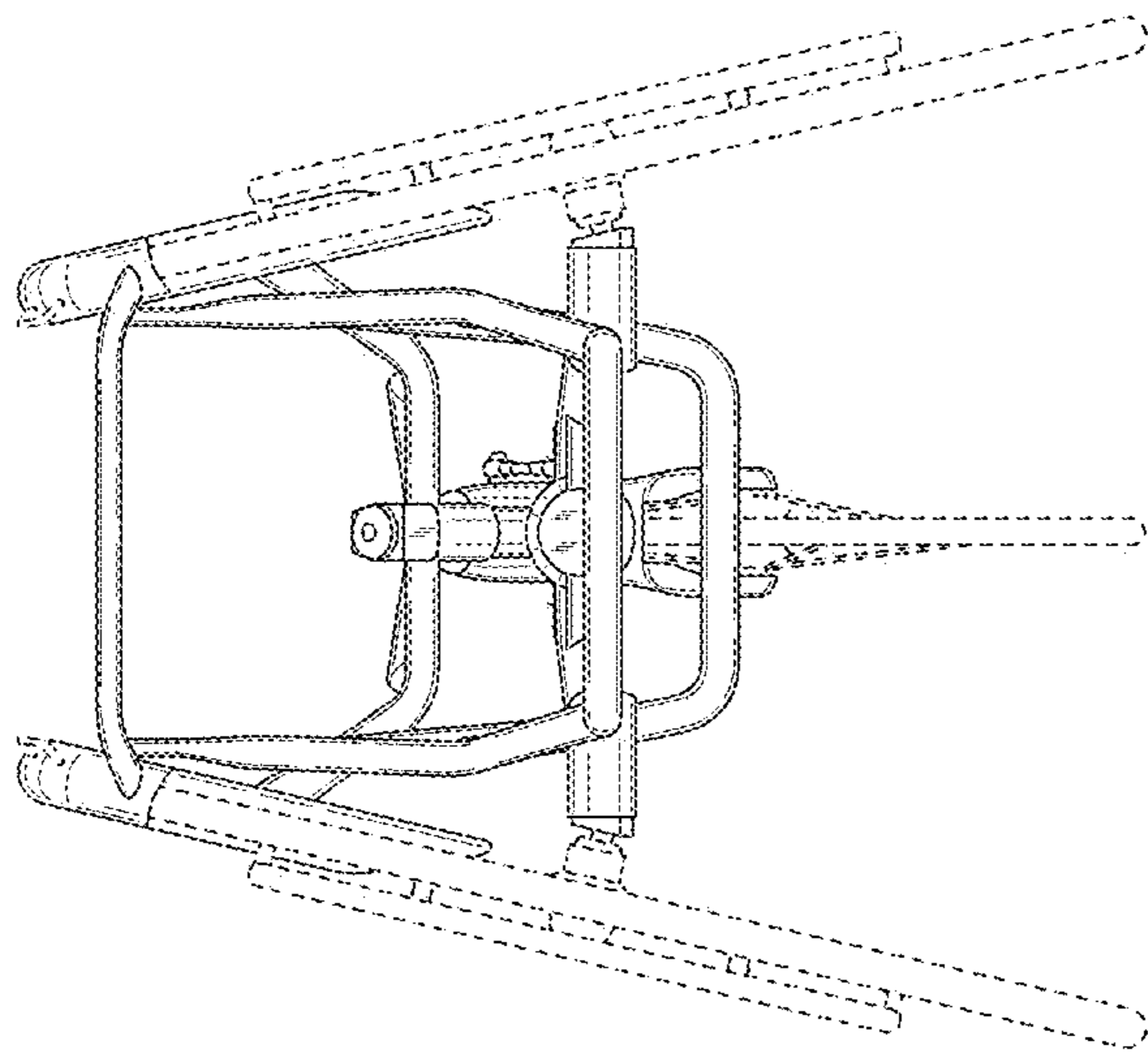


FIG.6

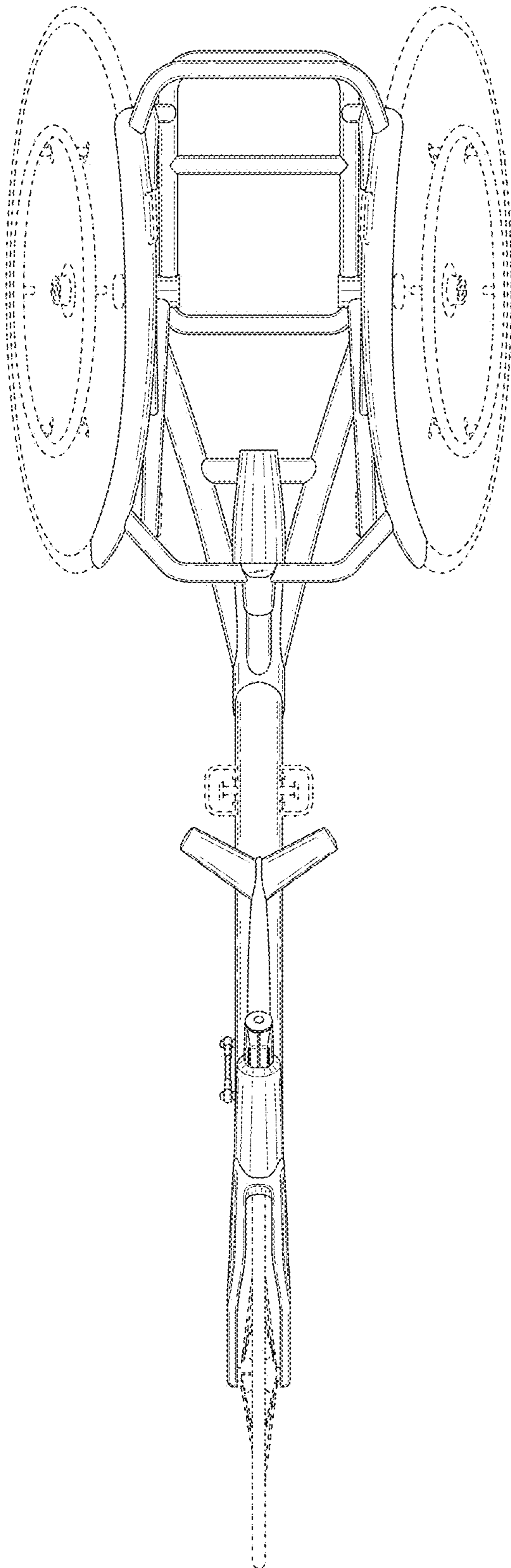


FIG.7

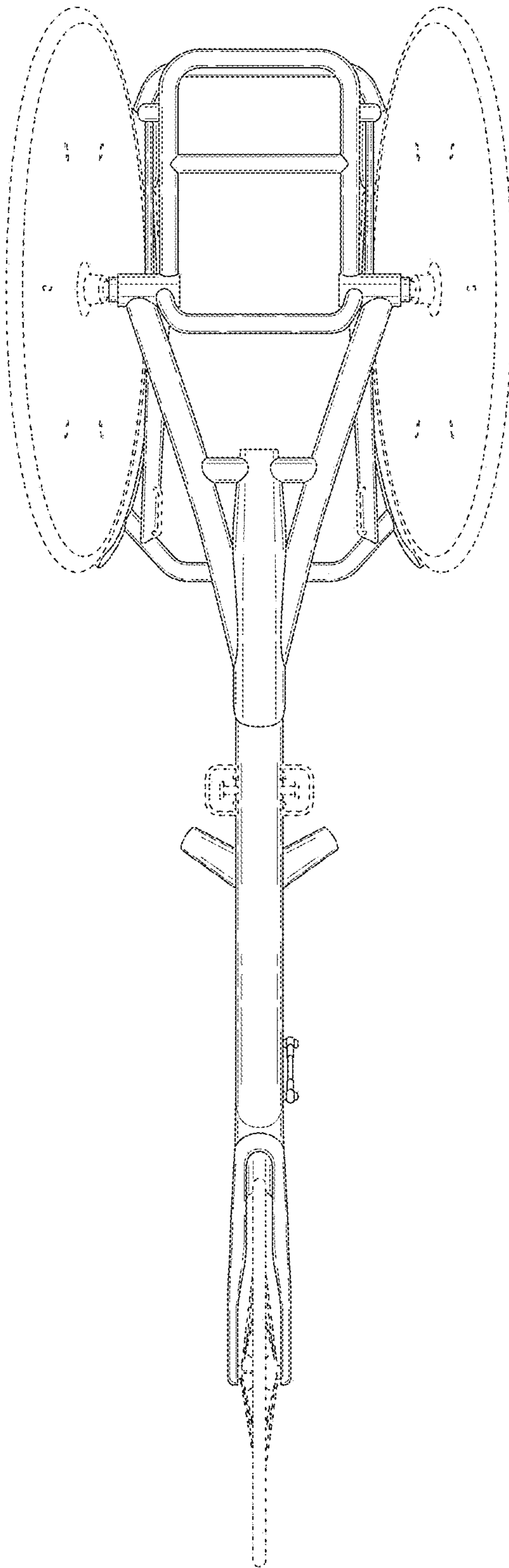


FIG.8