



US00D876992S

(12) **United States Design Patent**
Haarburger

(10) **Patent No.:** **US D876,992 S**
(45) **Date of Patent:** **** Mar. 3, 2020**

(54) **HANDLEBAR MOUNTED DEVICE HOLDER**

FOREIGN PATENT DOCUMENTS

- (71) Applicant: **NITE IZE, INC.**, Boulder, CO (US)
- (72) Inventor: **Daniel Haarburger**, Boulder, CO (US)
- (73) Assignee: **Nite Ize, Inc.**, Boulder, CO (US)
- (**) Term: **15 Years**
- (21) Appl. No.: **29/628,641**
- (22) Filed: **Dec. 6, 2017**

CN 2448683 Y 9/2001
 CN 202593701 U 12/2012
 (Continued)

OTHER PUBLICATIONS

International Preliminary Report on Patentability issued in PCT Application No. PCT/US2016/012041 dated Jul. 11, 2017 (8 pages).
 (Continued)

Primary Examiner — Sandra S Snapp
Assistant Examiner — Ieisha N Price
 (74) *Attorney, Agent, or Firm* — Haynes and Boone, LLP

Related U.S. Application Data

- (63) Continuation-in-part of application No. 15/640,705, filed on Jul. 3, 2017, which is a continuation of application No. PCT/US2016/012041, filed on Jan. 4, 2016.
- (51) **LOC (12) Cl.** **12-11**
- (52) **U.S. Cl.**
USPC **D12/114; D8/383**
- (58) **Field of Classification Search**
USPC D12/111, 114, 115, 223, 192; D8/349, D8/383, 396; D14/218, 447
CPC F16M 11/041; F16M 13/00; F16M 13/022; B62J 11/00; B62J 9/003
See application file for complete search history.

CLAIM

The ornamental design for a handlebar mounted device holder, as shown and described.

DESCRIPTION

FIG. 1 shows a top perspective view of a handlebar mounted device holder;
 FIG. 2 shows a bottom perspective view of the handlebar mounted device holder of FIG. 1;
 FIG. 3 shows a top view of the handlebar mounted device holder of FIG. 1;
 FIG. 4 shows a bottom view of the handlebar mounted device holder of FIG. 1;
 FIG. 5 shows a left side view of the handlebar mounted device holder of FIG. 1;
 FIG. 6 shows a right side view of the handlebar mounted device holder of FIG. 1;
 FIG. 7 shows an enlarged front view of the handlebar mounted device holder of FIG. 1; and,
 FIG. 8 shows an enlarged rear view of the handlebar mounted device holder of FIG. 1.
 The broken lines in the drawings illustrate portions of the handlebar mounted device holder and form no part of the claimed design.

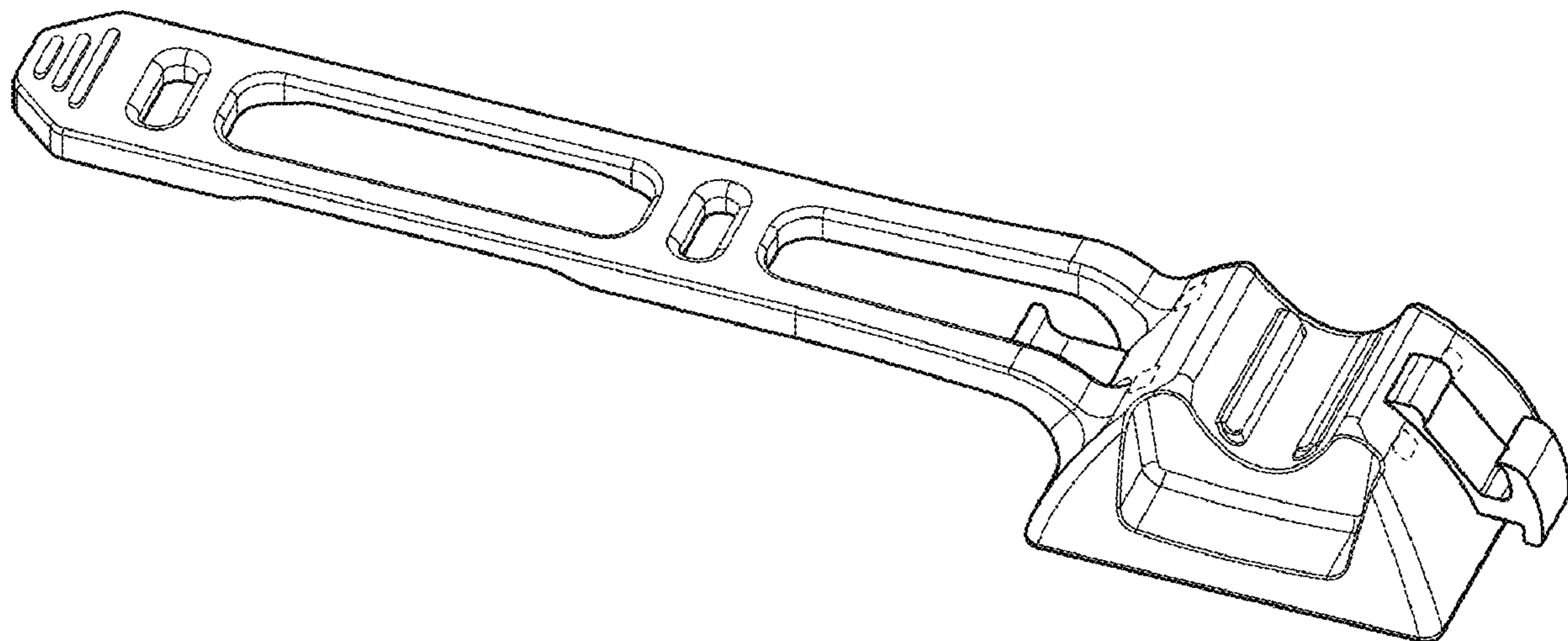
(56) **References Cited**

U.S. PATENT DOCUMENTS

- 3,054,585 A * 9/1962 Roberts F16L 3/233
24/16 PB
- D305,099 S * 12/1989 Naruse D8/382
- 5,487,497 A 1/1996 Kwiatkowski
- 5,605,394 A 2/1997 Chen
- 5,692,268 A 12/1997 Case
- D396,835 S 8/1998 Roddy
- D419,861 S * 2/2000 Khokhar D8/396

(Continued)

1 Claim, 4 Drawing Sheets



(56)

References Cited

U.S. PATENT DOCUMENTS

D443,562 S 6/2001 Okada
 6,305,241 B1 10/2001 Masui et al.
 6,422,442 B1* 7/2002 McDaid B62H 5/00
 224/441
 6,584,872 B1 7/2003 Kojima
 D478,847 S 8/2003 Ratto
 D509,464 S 9/2005 Conte
 D573,547 S* 7/2008 Stevens D13/168
 D647,434 S 10/2011 Chambers
 D663,735 S* 7/2012 Musselman D14/253
 D674,322 S 1/2013 Hilgart et al.
 D722,540 S* 2/2015 Brunner D12/114
 D783,614 S* 4/2017 Hao D12/114
 D796,942 S* 9/2017 Uimonen D8/382
 2002/0034073 A1 3/2002 Halasz
 2002/0034078 A1 3/2002 Halasz
 2005/0116442 A1 6/2005 Law
 2007/0296179 A1 12/2007 Orr
 2011/0049206 A1 3/2011 Liao et al.
 2012/0080465 A1 4/2012 Son
 2012/0210821 A1 8/2012 Carlini
 2012/0304804 A1 12/2012 Ferguson et al.
 2013/0047384 A1* 2/2013 Carnevali B65D 63/1063
 24/265 CD

2014/0252188 A1* 9/2014 Webster F16M 13/022
 248/229.17
 2014/0268710 A1 9/2014 Murano et al.
 2014/0366357 A1* 12/2014 Haarbuerger F16M 11/041
 29/428
 2016/0016633 A1 1/2016 Thompson
 2016/0368556 A1* 12/2016 Maraffio B62J 11/00
 2017/0297644 A1* 10/2017 Ormsbee B62J 6/02
 2018/0097537 A1* 4/2018 Huang H04B 1/3883

FOREIGN PATENT DOCUMENTS

CN 203548503 U 4/2014
 DE 202012104592 U1 2/2013

OTHER PUBLICATIONS

International Search Report issued in PCT Application No. PCT/US2016/012041 dated Mar. 30, 2016 (2 pages).
 Starlight 78 Bicycle Lighting System, Flashlight Type Lights, Jul. 16, 2008 [online], [retrieved on Feb. 14, 2016]. Retrieved from the internet URL:<http://nordicgroup.us/s78/flashlights.html>; entire document.

Office Action issued in related Chinese App. No. 201680008881.9 dated Nov. 2, 2018 (19 pages with English translation).

* cited by examiner

FIG. 1

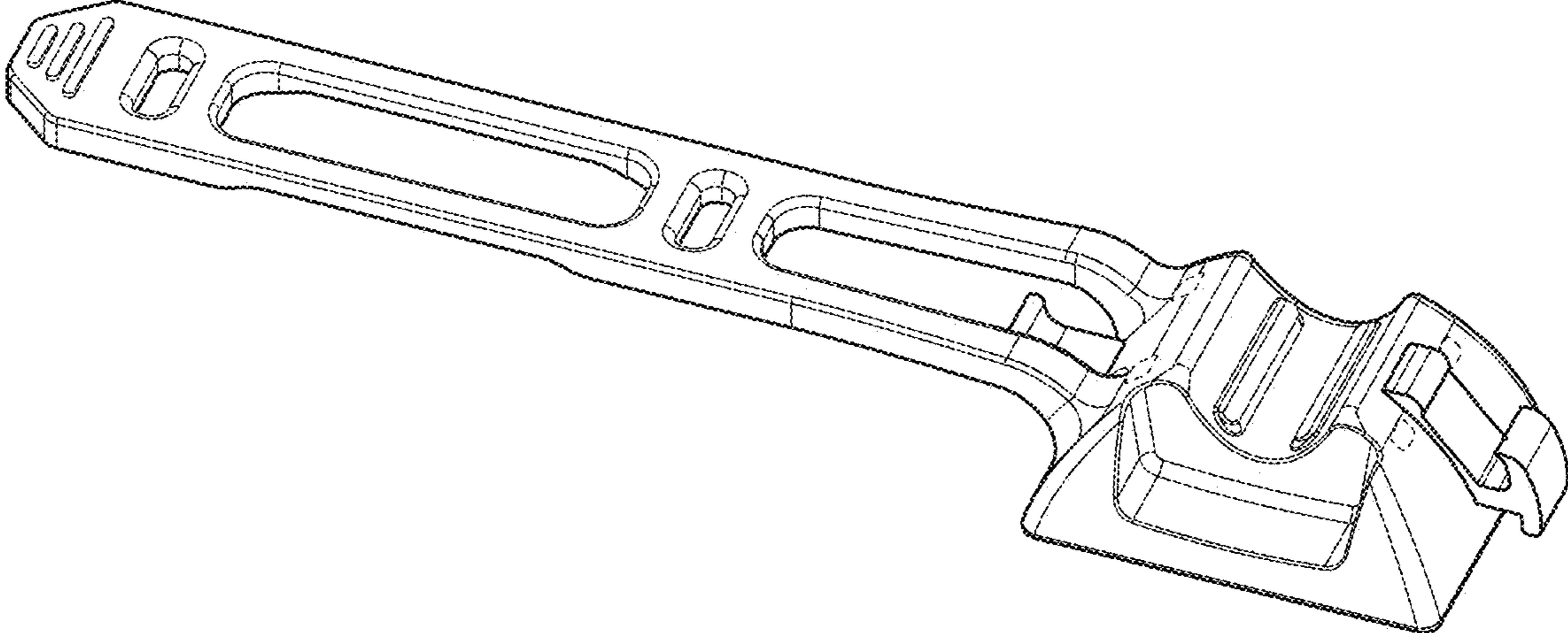


FIG. 2

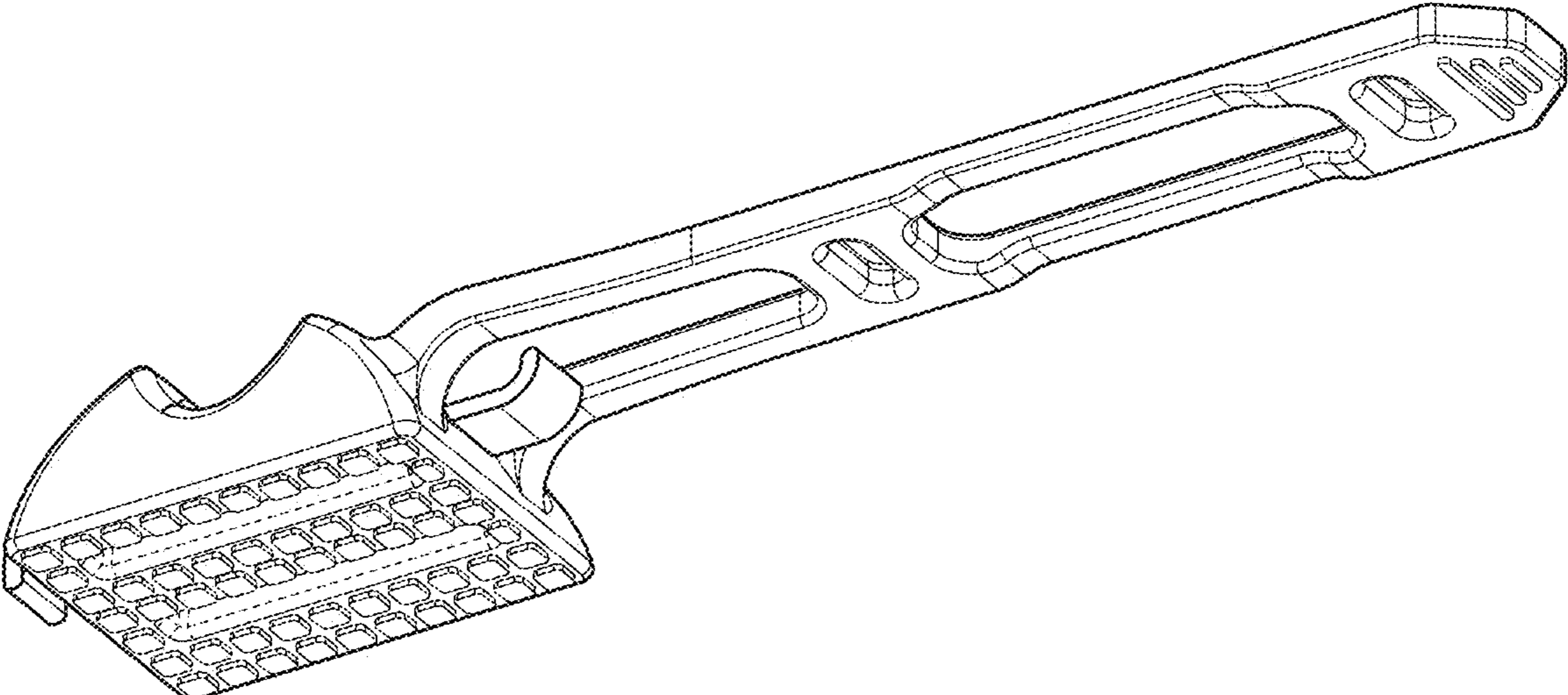


FIG. 3

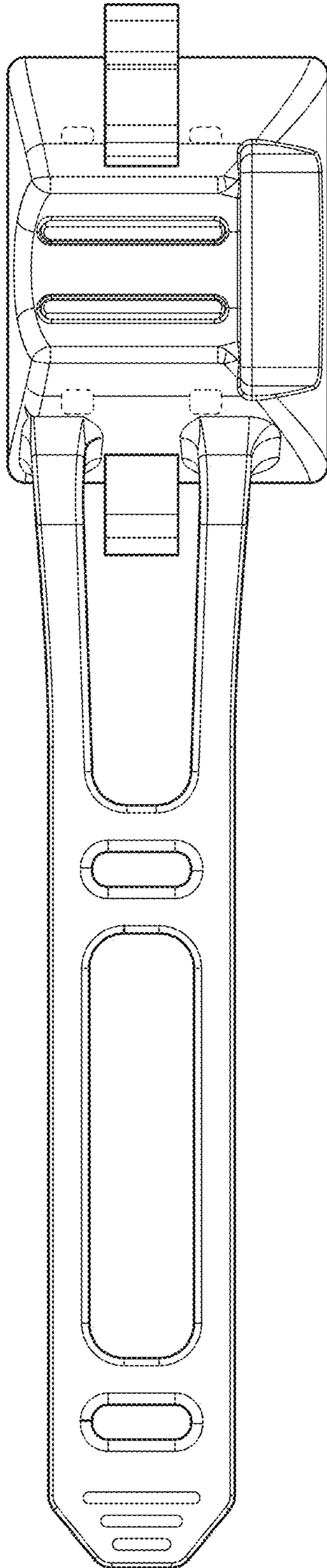


FIG. 4

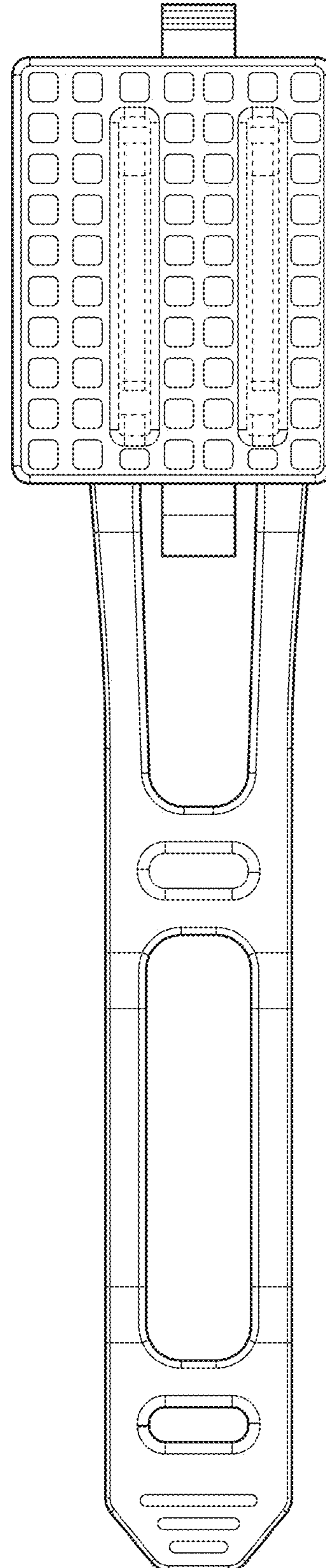


FIG. 5

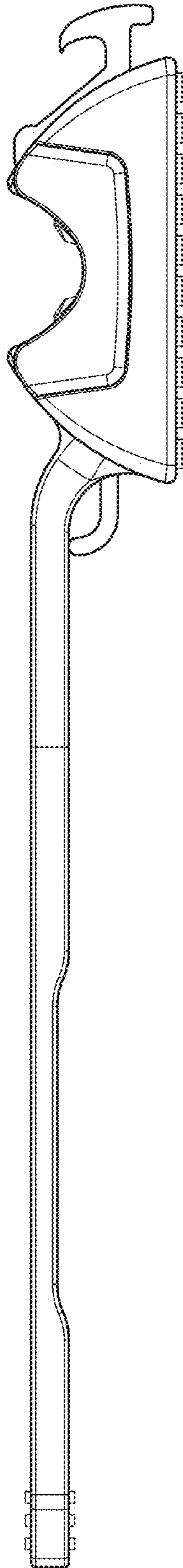


FIG. 6

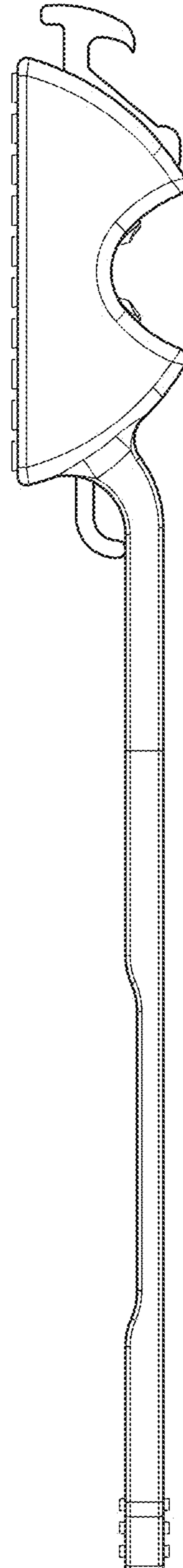


FIG. 7

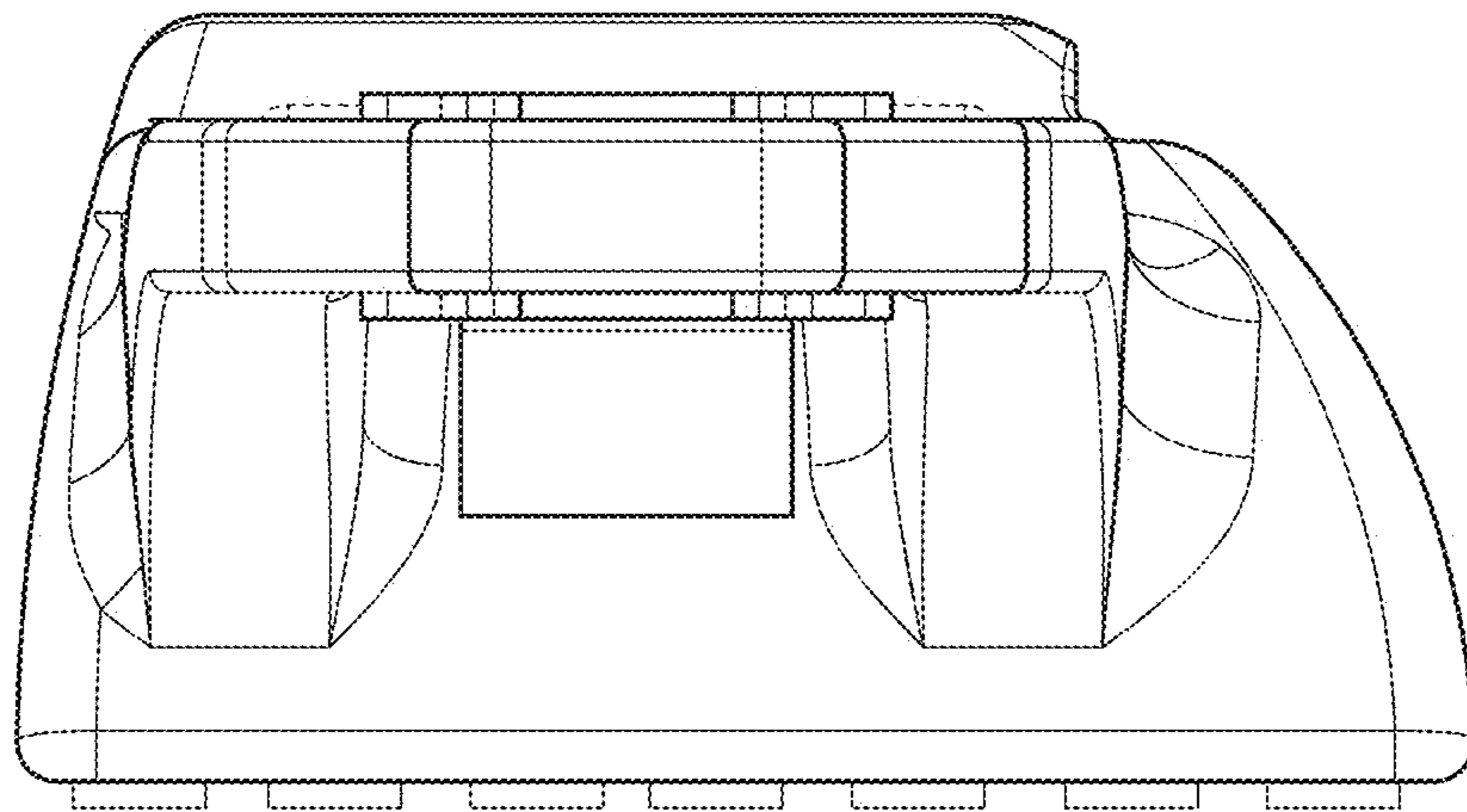


FIG. 8

