



US00D876988S

(12) **United States Design Patent** (10) **Patent No.:** **US D876,988 S**  
**Stepura et al.** (45) **Date of Patent:** **\*\* Mar. 3, 2020**

(54) **UNMANNED AERIAL VEHICLE**  
(71) Applicant: **SKYETON USA, INC.**, Lewes, DE (US)  
(72) Inventors: **Oleksandr Stepura**, Kiev (UA); **Mykola Toptun**, Kiev (UA)  
(73) Assignee: **SKYETON USA, INC.**, Lewes, DE (US)

2,147,968 A \* 2/1939 Delanne ..... B64C 39/00 244/119  
D113,649 S \* 3/1939 Abrams ..... 244/91  
D114,122 S \* 4/1939 Martin ..... 244/105  
D114,626 S \* 5/1939 Taylor et al. .... 244/119  
D115,854 S \* 7/1939 Loudy ..... 244/13  
D119,714 S \* 3/1940 Hibbard ..... 244/13  
D123,427 S \* 11/1940 Brandrup ..... D12/335  
D126,067 S \* 3/1941 Boushey ..... D12/335  
D129,412 S \* 9/1941 Nebesar ..... D12/324  
D130,651 S \* 12/1941 Silverstein ..... 244/13

(Continued)

(\*\*) Term: **15 Years**

(21) Appl. No.: **29/634,911**

(22) Filed: **Jan. 25, 2018**

(51) **LOC (12) Cl.** ..... **12-06**

(52) **U.S. Cl.**  
USPC ..... **D12/16.1**

(58) **Field of Classification Search**  
USPC ..... D12/319-345, 1-4, 16.1, 214, 300, 305, D12/308, 316, 317; D21/436-454; D30/160  
CPC ..... B64C 29/0025; B64C 2201/108; B64C 2201/048; B64C 2201/088; B64C 29/00; B64C 29/0058; B64C 39/001; B64C 39/024; B64C 39/062; B64C 2201/141; B64C 27/12

See application file for complete search history.

(56) **References Cited**

**U.S. PATENT DOCUMENTS**

D82,314 S \* 10/1930 Christmas ..... D12/335  
D91,444 S \* 1/1934 Shelton ..... D12/335  
D97,361 S \* 10/1935 Swanson ..... D12/335  
D97,652 S \* 11/1935 Swanson ..... D12/335  
D98,660 S \* 2/1936 Burnelli ..... D12/335  
D100,608 S \* 7/1936 Taylor et al. .... D12/335  
D100,609 S \* 7/1936 Wilson et al. .... D12/335  
D101,928 S \* 11/1936 Wilson et al. .... D12/331  
D103,290 S \* 2/1937 Wendt ..... D12/324  
D106,275 S \* 10/1937 Bellanca ..... D12/335  
D112,834 S \* 1/1939 Seversky ..... 244/45 R

**OTHER PUBLICATIONS**

Ukrainian aircraft industrial company proposes ACS unmanned aerial system by Defence blog, dated Jul. 18, 2017, found online [May 7, 2019] <https://defence-blog.com/news/ukrainian-aircraft-industrial-company-proposes-acs-unmanned-aerial-system-for-export.html>.\*

*Primary Examiner* — Marissa J Cash  
(74) *Attorney, Agent, or Firm* — Oblon, McClelland, Maier & Neustadt, L.L.P.

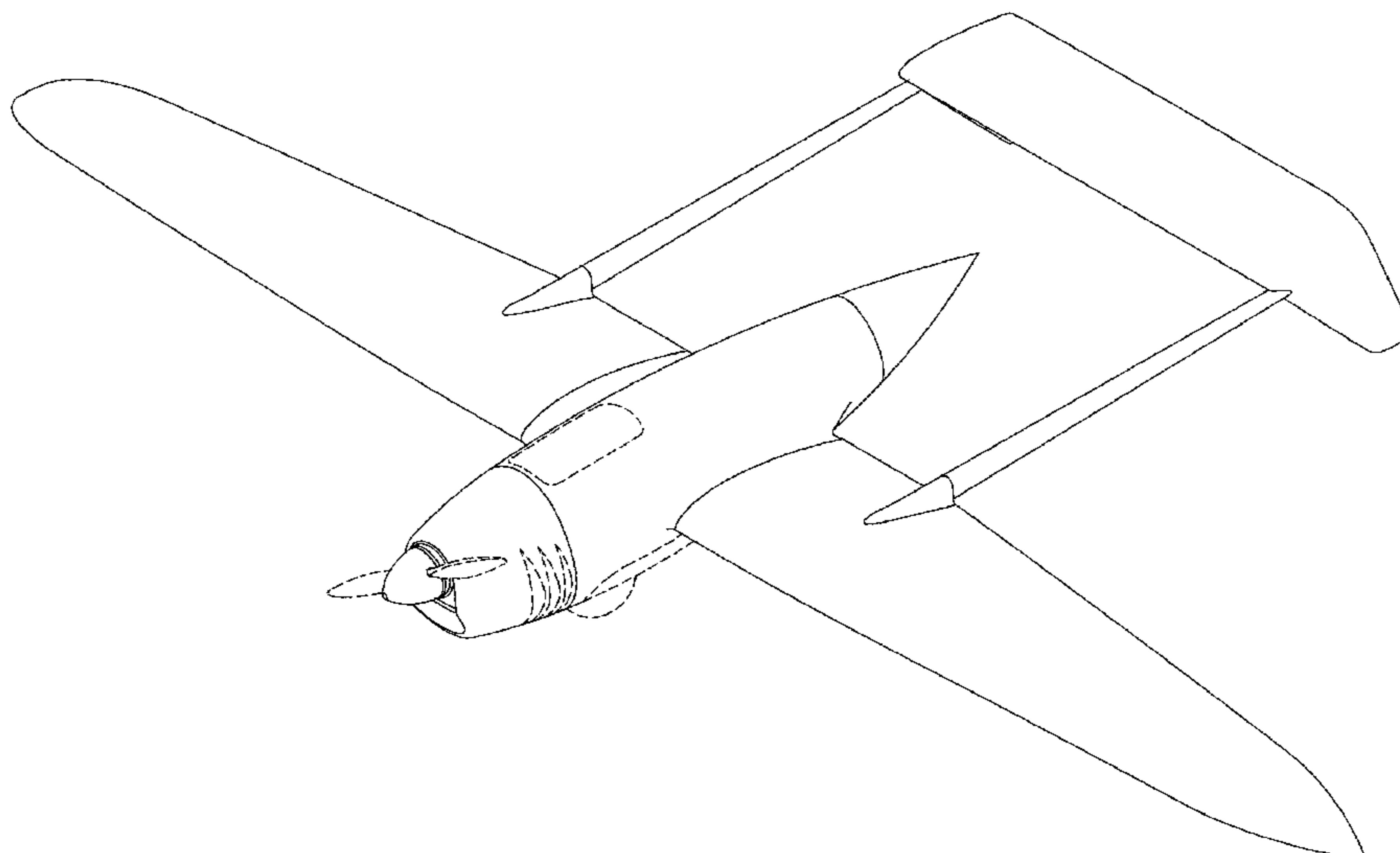
(57) **CLAIM**

The ornamental design for an unmanned aerial vehicle, as shown and described.

**DESCRIPTION**

FIG. 1 shows a top perspective view of an unmanned aerial vehicle, illustrating our new design.  
FIG. 2 shows a bottom plan view thereof.  
FIG. 3 shows a front elevational view thereof.  
FIG. 4 shows a rear elevational view thereof.  
FIG. 5 shows a top plan view thereof.  
FIG. 6 shows a bottom perspective view thereof; and,  
FIG. 7 shows a side elevational view thereof.  
The broken lines are for the purpose of illustrating portions of the unmanned aerial vehicle that form no part of the claimed design.

**1 Claim, 7 Drawing Sheets**



(56)

References Cited

U.S. PATENT DOCUMENTS

RE22,029 E *	2/1942	Nebesar .....	B64C 39/04	D239,274 S *	3/1976	Snyder .....	D12/335
			244/13	D239,522 S *	4/1976	Wheatley .....	D12/335
D133,126 S *	7/1942	Woods .....	D12/335	D240,909 S *	8/1976	Whitener .....	D12/335
D133,777 S *	9/1942	Gardenhire .....	244/49	D245,157 S *	7/1977	Seidel .....	D12/333
D135,994 S *	7/1943	Floren .....	244/215	D250,727 S *	1/1979	Venditti .....	D21/450
D135,995 S *	7/1943	Floren .....	244/215	D250,786 S *	1/1979	Venditti .....	D21/450
D136,078 S *	8/1943	Novikoff .....	244/106	D250,852 S *	1/1979	Maloney, II .....	D21/450
D136,249 S *	8/1943	Burnelli .....	D12/333	D268,107 S *	3/1983	Enav .....	244/15
D136,296 S *	8/1943	Szzyner .....	244/16	D273,005 S *	3/1984	McComas .....	D12/335
D138,102 S *	6/1944	Kelly .....	244/106	D274,510 S *	7/1984	McComas .....	D12/338
D138,217 S *	7/1944	Van Zelm .....	244/13	D292,203 S *	10/1987	Ligeti .....	D12/319
D138,218 S *	7/1944	Van Zelm .....	244/13	D292,910 S *	11/1987	McGiboney .....	D12/331
D138,795 S *	9/1944	Stoughton .....	244/45 R	4,746,082 A *	5/1988	Syms .....	B64D 47/08
D139,028 S *	10/1944	Stout .....	244/45 R				244/118.2
D139,438 S *	11/1944	Hughes et al. ....	244/13	D301,867 S *	6/1989	Street .....	D12/339
D140,113 S *	1/1945	Biasell .....	244/13	D308,043 S *	5/1990	Butler .....	D12/331
D140,220 S *	1/1945	Thieblot .....	244/45 R	D311,720 S *	10/1990	Butler .....	D12/331
D143,729 S *	2/1946	Hall et al. ....	244/74	D312,068 S *	11/1990	Moller .....	D12/319
D143,730 S *	2/1946	Hall et al. ....	244/74	D319,805 S *	9/1991	Wiegert .....	D12/319
D143,731 S *	2/1946	Hall et al. ....	244/74	D323,315 S *	1/1992	Haga .....	D12/328
D143,732 S *	2/1946	Hall et al. ....	244/74	5,078,339 A *	1/1992	Lapidot .....	B64C 3/56
D143,820 S *	2/1946	Hibbard et al. ....	244/13				244/49
D144,211 S *	3/1946	Northrop et al. ....	244/37	5,115,996 A *	5/1992	Moller .....	B64C 29/0025
D144,938 S *	6/1946	Schmued .....	244/36				239/265.19
D148,595 S *	2/1948	Thieblot .....	244/45 R	5,415,365 A *	5/1995	Ratliff .....	B64C 35/00
D157,645 S *	3/1950	Thieblot .....	D12/335				114/271
D159,110 S *	6/1950	Thieblot .....	244/13	5,503,352 A *	4/1996	Eger .....	B64C 39/068
D159,198 S *	7/1950	Greenwood et al. ....	D12/335				244/13
D160,841 S *	11/1950	Burnelli .....	244/13	D371,105 S *	6/1996	Graham .....	D12/319
D160,842 S *	11/1950	Burnelli .....	244/13	D381,952 S *	8/1997	Carter, Jr. ....	D12/327
D162,517 S *	3/1951	Burnelli .....	244/13	D392,937 S *	3/1998	Birchard .....	D12/319
D163,722 S *	6/1951	Vinje .....	244/2	D414,740 S *	10/1999	Margaritoff .....	D12/319
D164,371 S *	8/1951	Voque .....	D12/335	D418,805 S *	1/2000	Cycon .....	244/12.3
D164,843 S *	10/1951	Burnelli .....	D12/333	D431,522 S *	10/2000	Fujino .....	D12/337
2,752,114 A *	6/1956	Calvy .....	B60J 5/125	D442,540 S *	5/2001	Cellini .....	D12/308
			244/118.3	D446,182 S *	8/2001	Adam, Jr. ....	D12/319
D179,811 S *	3/1957	Messerschmid .....	D12/327	D466,858 S *	12/2002	Carroll .....	D12/337
D185,535 S *	6/1959	Coleman .....	D12/333	D467,533 S *	12/2002	Han .....	D12/319
D185,546 S *	6/1959	Geraci .....	244/45 R	D486,776 S *	2/2004	Carr .....	D12/319
D190,534 S *	6/1961	Smolinski .....	D12/330	D500,729 S *	1/2005	Wilding .....	D12/319
3,017,139 A *	1/1962	Binder .....	B64C 39/062	D500,981 S *	1/2005	Wilding .....	D12/319
			244/12.6	D543,248 S *	5/2007	Winston .....	D21/450
D192,195 S *	2/1962	Stepniewski .....	D12/330	D738,438 S *	9/2015	Cummings .....	D21/447
D192,337 S *	3/1962	Skaggs .....	D12/335	9,120,560 B1 *	9/2015	Armer .....	B64C 29/0008
D192,665 S *	4/1962	Stepniewski .....	D12/335	D743,868 S *	11/2015	Cummings .....	D12/328
3,049,320 A *	8/1962	Fletcher .....	B64C 29/0033	D763,733 S *	8/2016	Gattelli .....	D12/16.1
			244/12.4	9,783,288 B1 *	10/2017	Moore .....	B64C 27/322
D197,933 S *	4/1964	Sumner .....	D12/324	D810,621 S *	2/2018	Sadek .....	D12/16.1
D202,260 S *	9/1965	McConologue .....	D12/335	9,932,118 B2 *	4/2018	Bak .....	B64D 27/24
D203,283 S *	12/1965	Woods .....	244/13	10,124,890 B2 *	11/2018	Sada-Salinas .....	B64C 29/0025
D203,720 S *	2/1966	Jarchow .....	D12/335	10,183,744 B2 *	1/2019	Gamble .....	B64C 29/0025
D231,603 S *	5/1974	Krivka .....	D12/327	2012/0043413 A1 *	2/2012	Smith .....	B64C 29/0033
3,834,654 A *	9/1974	Miranda .....	B64C 39/068				244/12.4
			244/13	2017/0072755 A1 *	3/2017	Zhou .....	B64C 29/0075
D238,888 S *	2/1976	Bradley .....	D21/833	2017/0300067 A1 *	10/2017	Douglas .....	B64C 29/0025
				2018/0305007 A1 *	10/2018	Evulet .....	B64C 29/005

\* cited by examiner

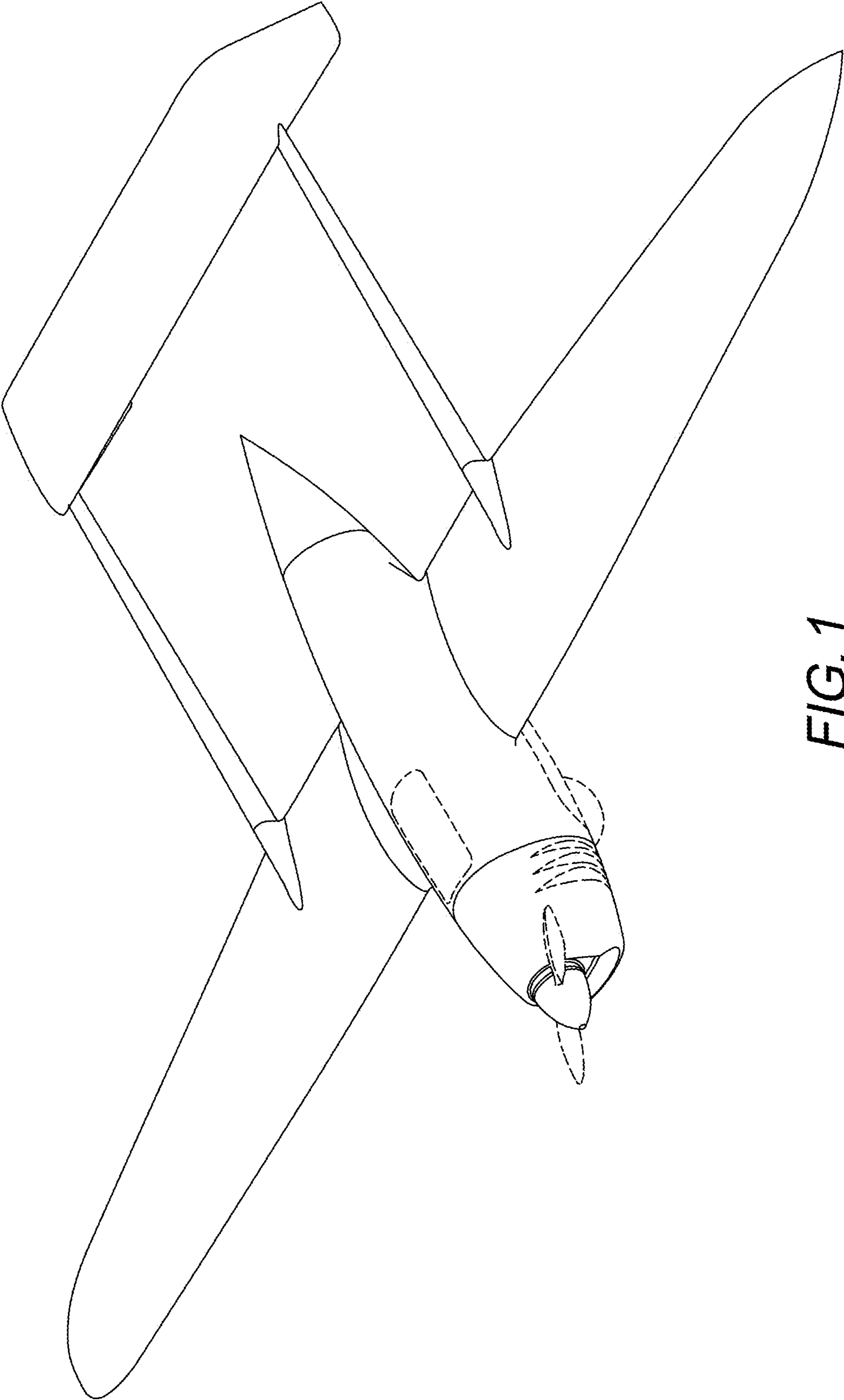


FIG. 1

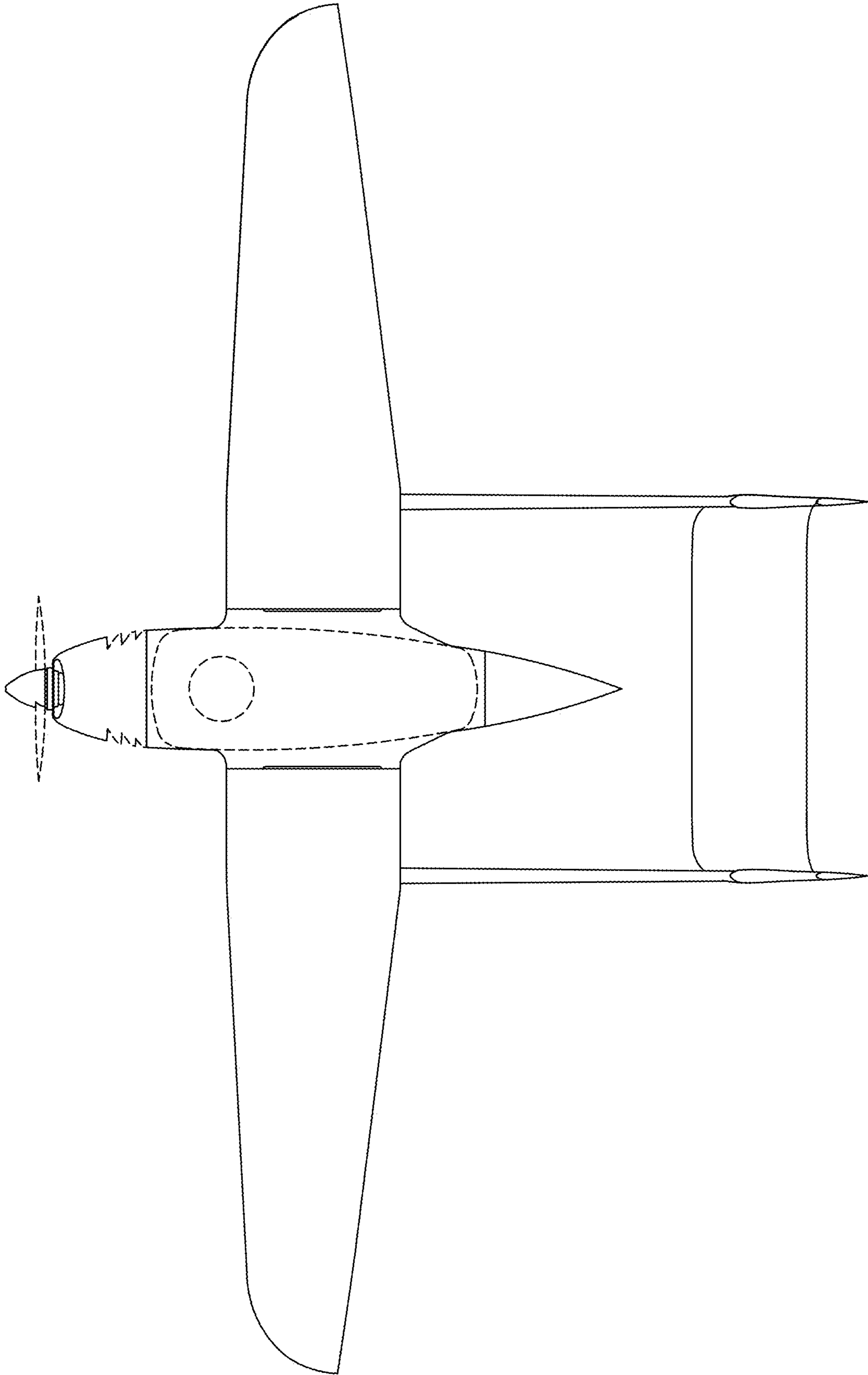


FIG. 2

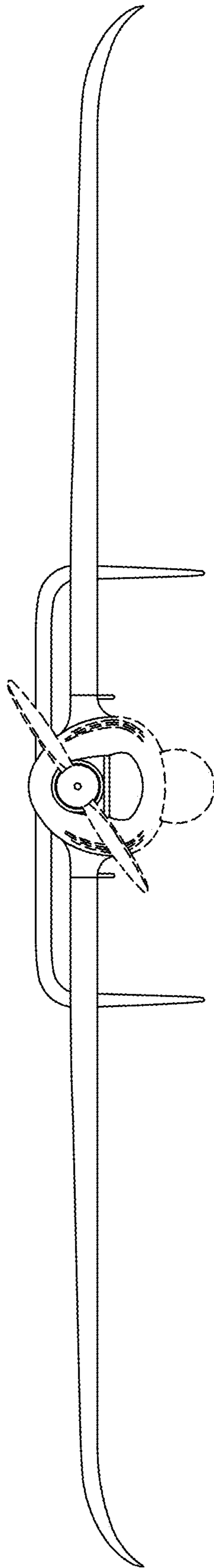


FIG. 3

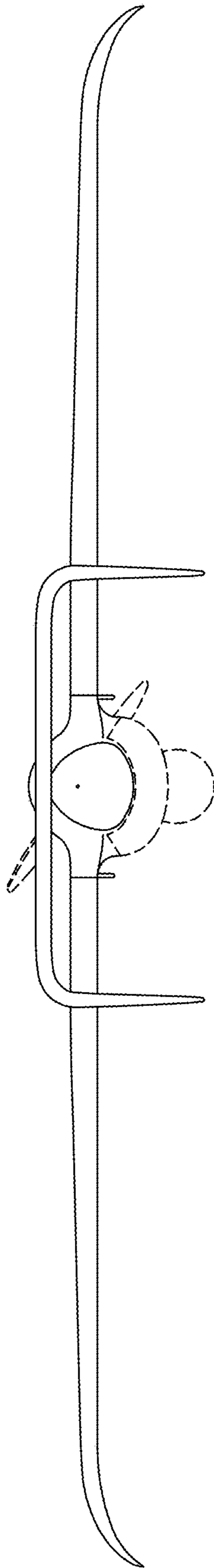


FIG. 4

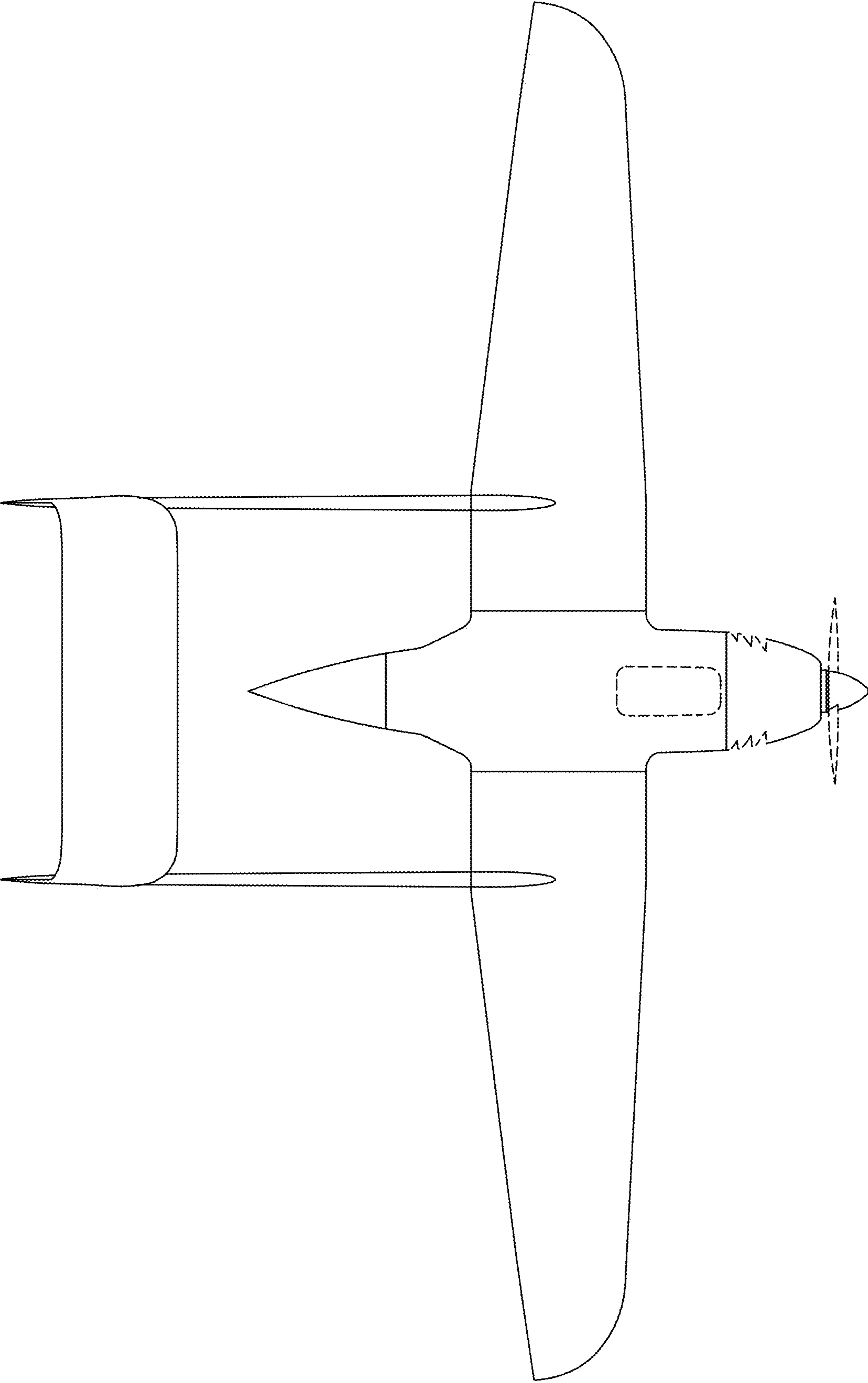


FIG. 5

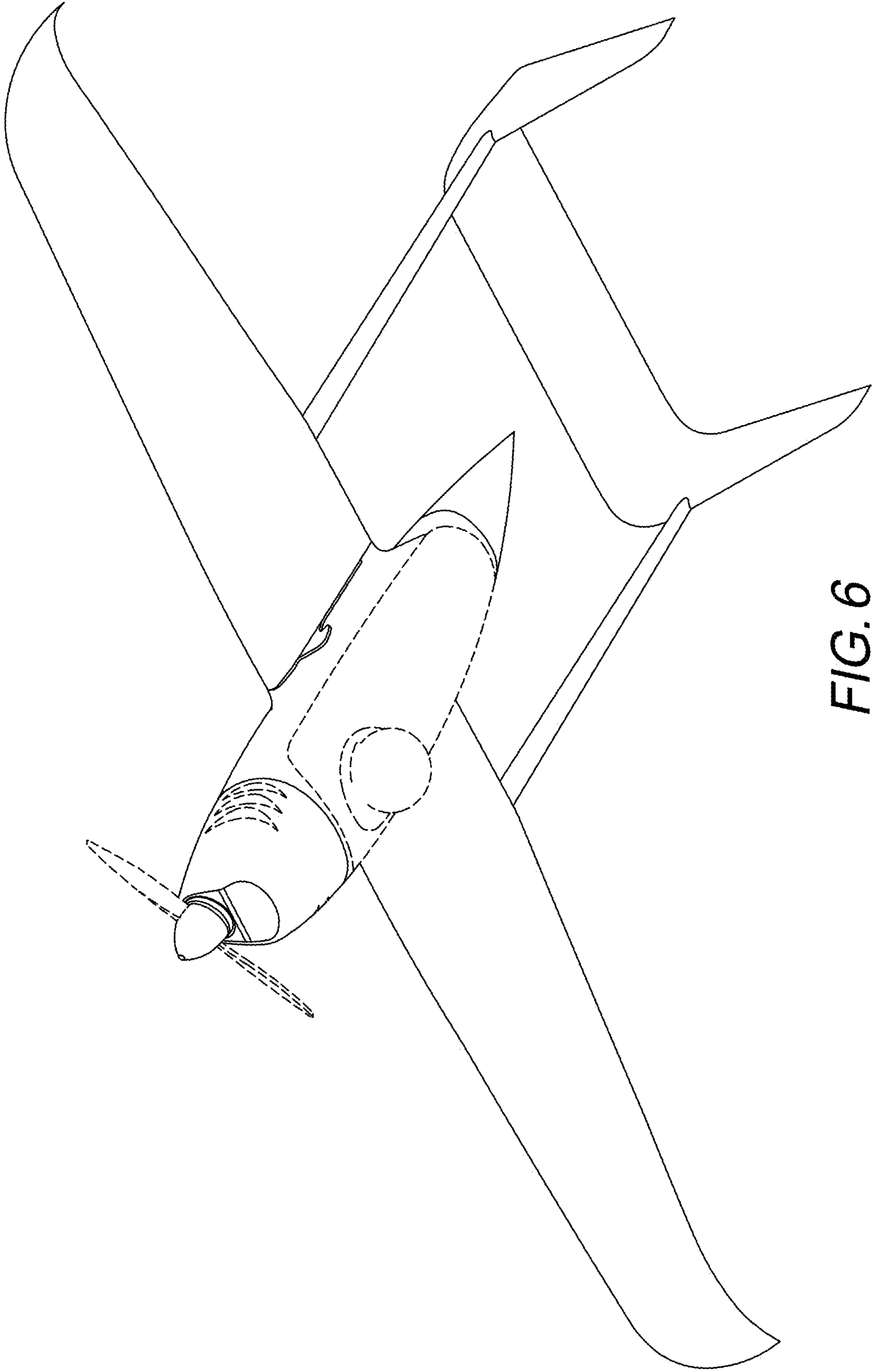


FIG. 6



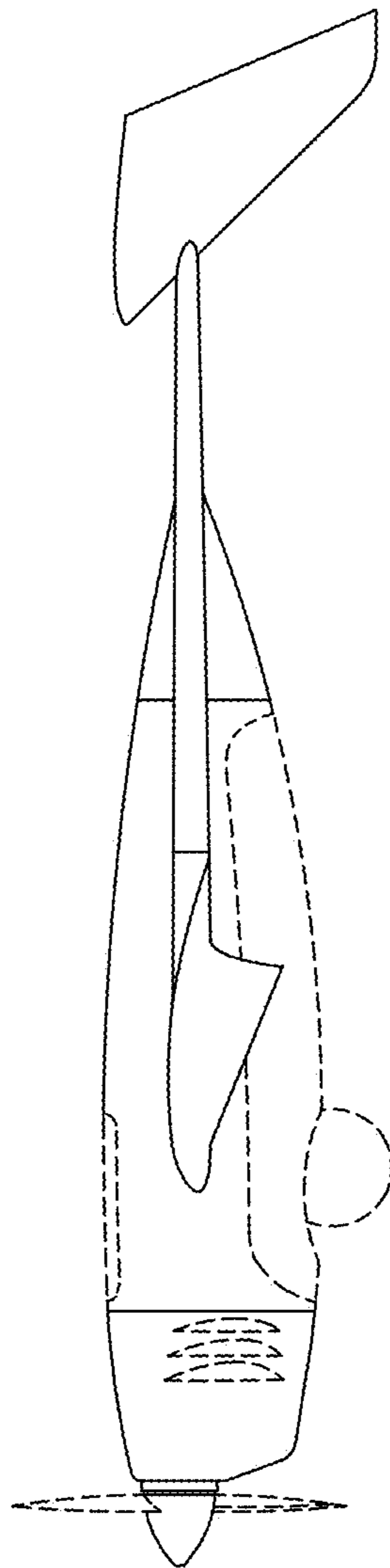


FIG. 7