



US00D876987S

(12) **United States Design Patent**
Lee

(10) **Patent No.:** **US D876,987 S**
(45) **Date of Patent:** **** Mar. 3, 2020**

(54) **FEMALE BUCKLE PORTION**

2022/1806; B60R 2022/1812; B60R
2022/281; B65D 63/16; A62B 35/00

See application file for complete search history.

(71) Applicant: **Duraflex Hong Kong Limited**, Hong
Kong (CN)

(72) Inventor: **Ray Lee**, Taipei (TW)

(73) Assignee: **Duraflex Hong Kong Limited**, Hong
Kong (CN)

(**) Term: **15 Years**

(21) Appl. No.: **29/660,395**

(22) Filed: **Aug. 21, 2018**

(51) **LOC (12) Cl.** **02-07**

(52) **U.S. Cl.**
USPC **D11/216**

(58) **Field of Classification Search**
USPC D2/624–640, 853, 976; D3/24, 213, 215,
D3/216, 230, 222; D8/14, 16, 19, 331,
D8/343, 349, 356, 358, 359, 360, 363,
D8/366, 371, 382, 394, 395; D10/32;
D11/1–3, 87, 93, 200, 201, 206–210,
D11/212–219, 220, 230–237;
D29/100–101.5, 122, 129; D30/139, 152,
D30/153

CPC A44B 11/00; A44B 11/02; A44B 11/04;
A44B 11/05; A44B 11/06; A44B 11/10;
A44B 11/14; A44B 11/18; A44B 11/22;
A44B 11/26; A44B 11/125; A44B 11/233;
A44B 11/001; A44B 11/005; A44B
11/006; A44B 11/2503; A44B 11/2507;
A44B 11/2526; A44B 11/2553; A44B
11/2592; A44B 11/2519; A44B 11/2452;
A44B 13/00; A41F 1/008; A41F 9/002;
A41F 9/007; A41F 15/002; B60R 22/30;
B60R 22/32; B60R 22/002; B60R

(56) **References Cited**

U.S. PATENT DOCUMENTS

D524,693 S *	7/2006	Uehara	D11/216
D576,519 S *	9/2008	Uehara	D11/216
D597,441 S *	8/2009	Uehara	D11/216
D635,057 S *	3/2011	Pontaoe	D11/216
D637,941 S *	5/2011	Paik	D11/216
D646,996 S *	10/2011	Kawaguchi	D11/216

(Continued)

OTHER PUBLICATIONS

Duraflex Botanic Buckle, no date available, [online], [site visited
Jan. 2, 2020]. Retrieved from url:[http://www.duraflexgroup.com/
productDetail.aspx?id=763&sort=backpack](http://www.duraflexgroup.com/productDetail.aspx?id=763&sort=backpack) (Year: 2020).*

Primary Examiner — Jeffrey D Asch

Assistant Examiner — Tracey J Bell

(74) *Attorney, Agent, or Firm* — Collard & Roe, P.C.

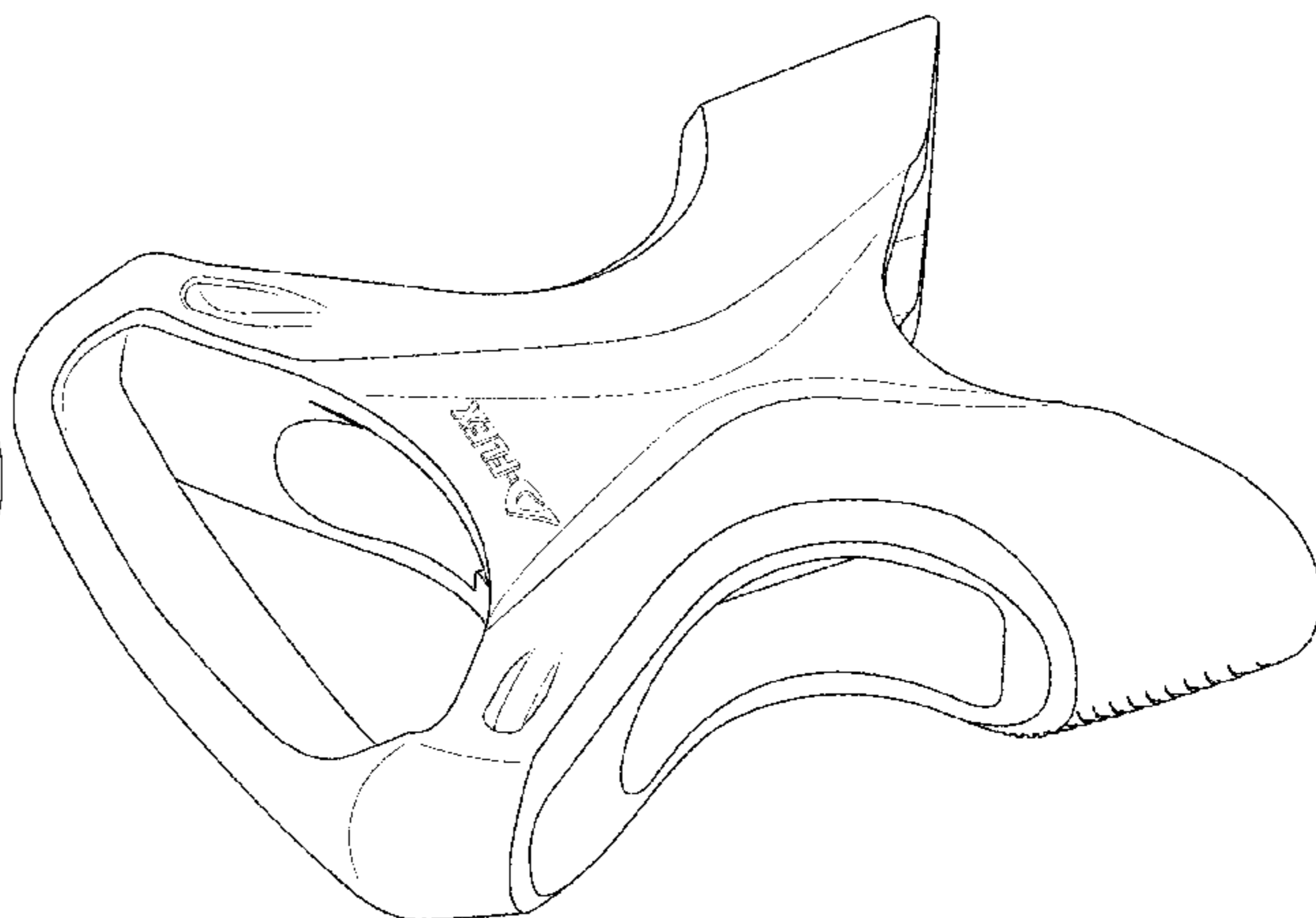
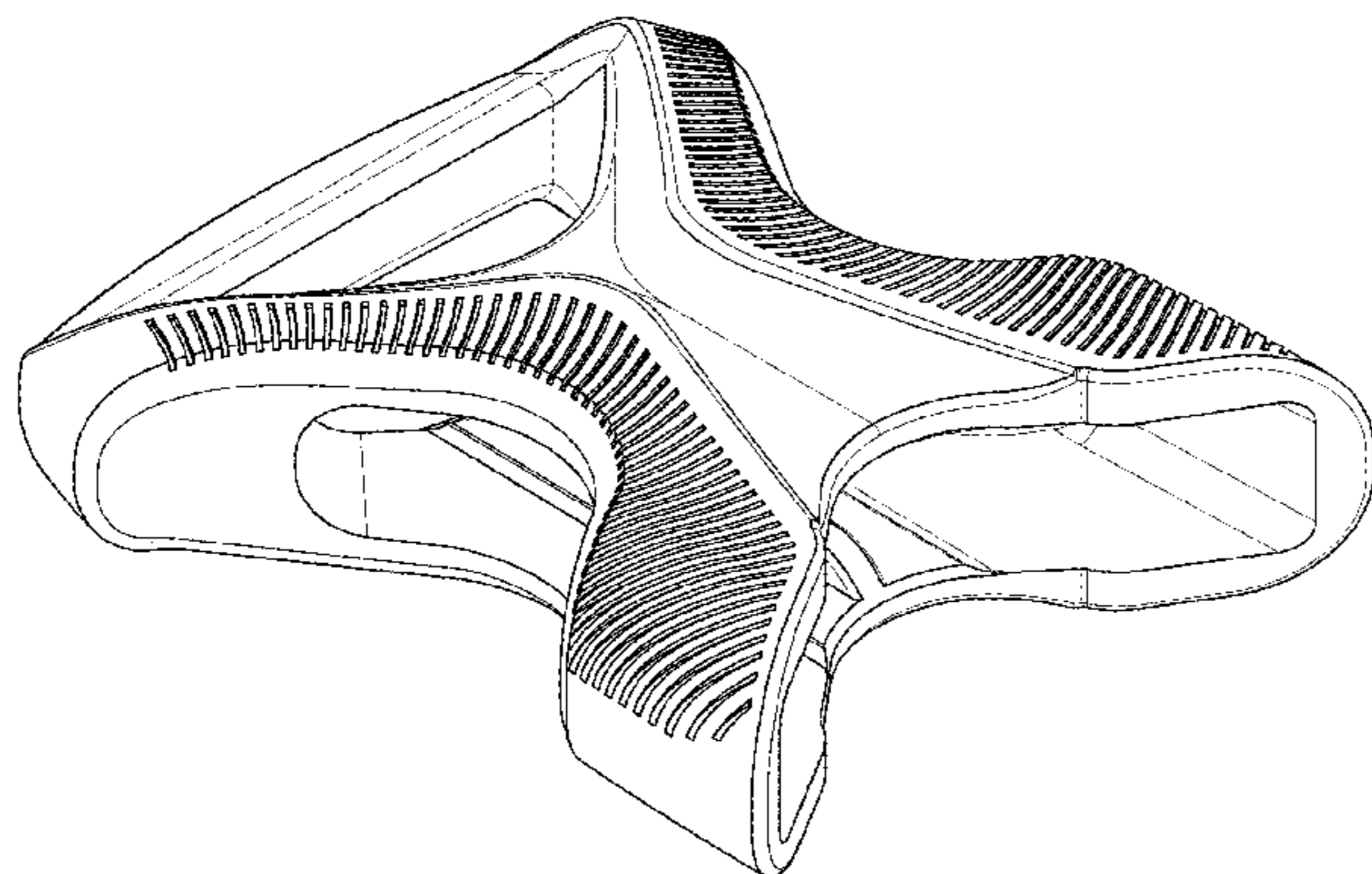
(57) **CLAIM**

The ornamental design for a female buckle portion, as
shown and described.

DESCRIPTION

FIG. 1 is a top, left side and front perspective view of a
female buckle portion, showing my new design;
FIG. 2 is a top, right side and rear perspective view thereof;
FIG. 3 is a top view thereof;
FIG. 4 is a bottom view thereof;
FIG. 5 is a right side view thereof;
FIG. 6 is a left side view thereof;
FIG. 7 is front view thereof;
FIG. 8 is a rear view thereof; and,
FIG. 9 is a front, bottom and left side perspective view
thereof.

(Continued)



The features shown in broken lines depict portions of the female buckle portion that form no part of the claimed design.

1 Claim, 7 Drawing Sheets

(56)

References Cited

U.S. PATENT DOCUMENTS

D646,998 S *	10/2011	Kawaguchi	D11/218
D646,999 S *	10/2011	Kawaguchi	D11/218
D668,178 S *	10/2012	Kao	D11/216
D671,445 S *	11/2012	Paik	D11/216
D684,893 S *	6/2013	Kataguchi	D11/216
D685,292 S *	7/2013	Kataguchi	D11/216
D686,530 S *	7/2013	Paik	D11/216
D688,158 S *	8/2013	Kao	D11/216
D701,139 S *	3/2014	Kadoishi	D11/216
D703,094 S *	4/2014	Nanbu	D11/216
D731,357 S *	6/2015	Fujii	D11/216
D739,301 S *	9/2015	Takazakura	D11/216
D739,783 S *	9/2015	Liu	D11/216
D740,718 S *	10/2015	Liu	D11/216
D813,088 S *	3/2018	Paik	D11/216
D862,283 S *	10/2019	Paik	D11/216
D868,626 S *	12/2019	Paik	D11/218
2009/0007391 A1 *	1/2009	Uehara	A44B 11/266 24/32
2019/0289967 A1 *	9/2019	Lin	A44B 11/20

* cited by examiner

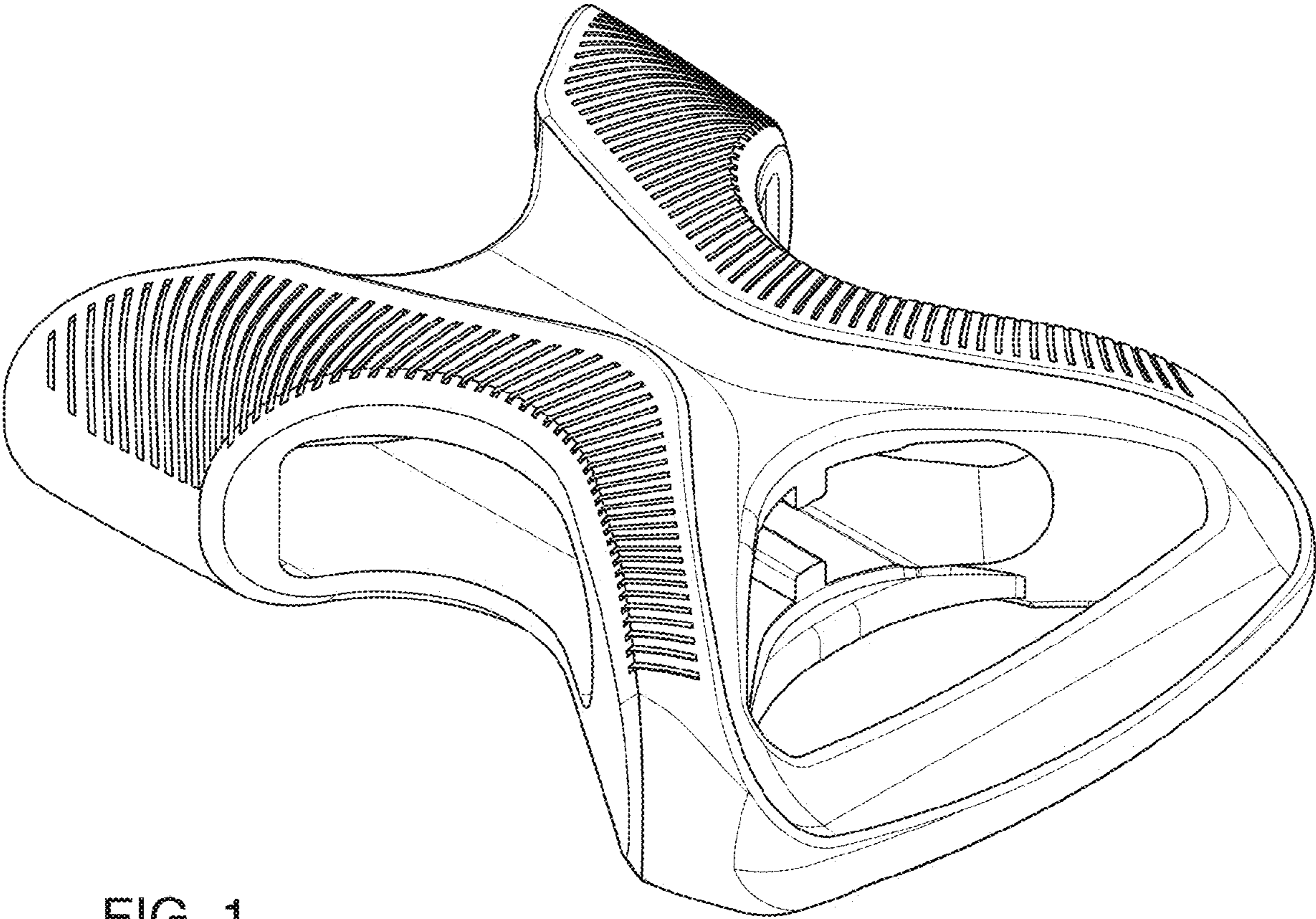


FIG. 1

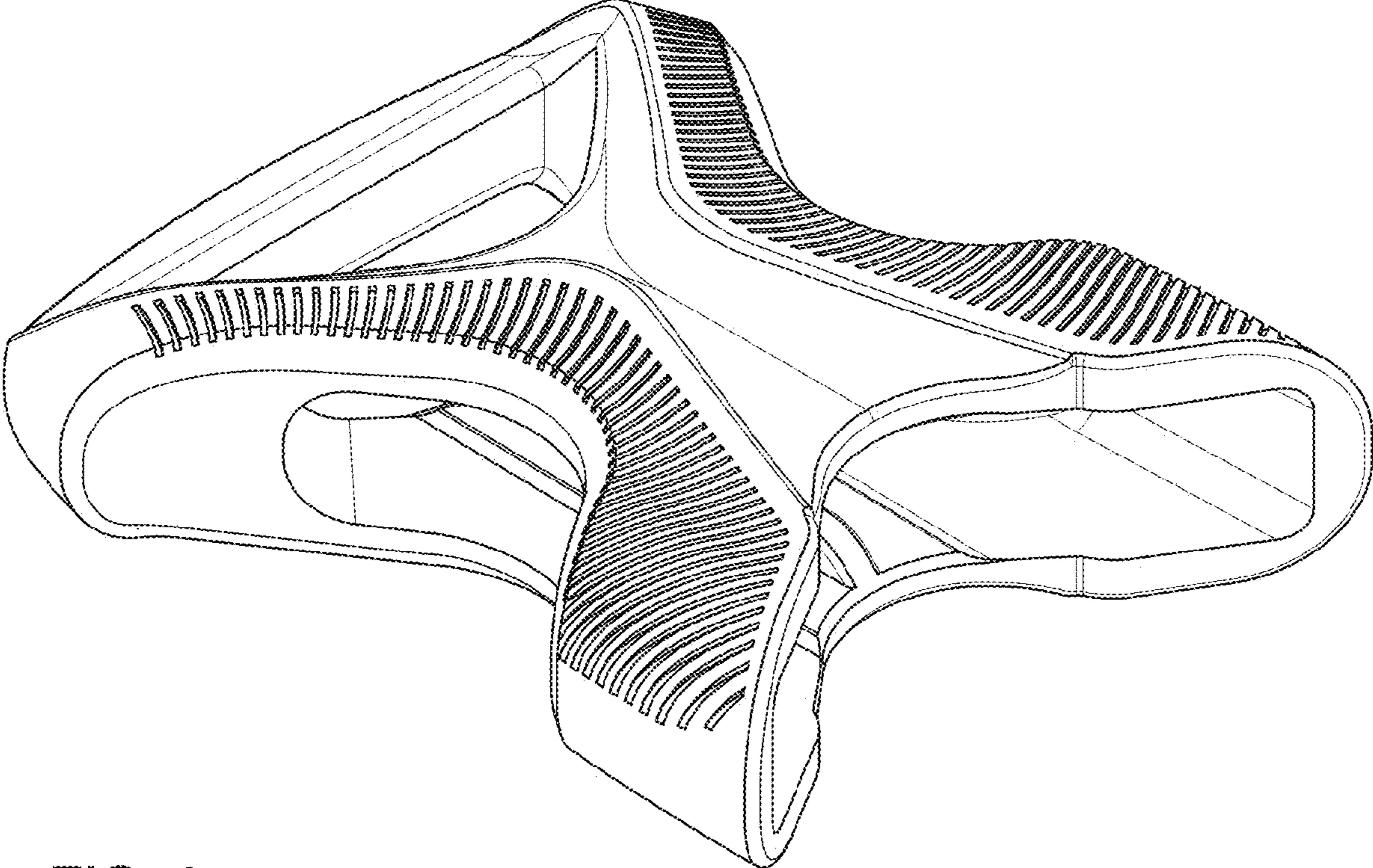


FIG. 2

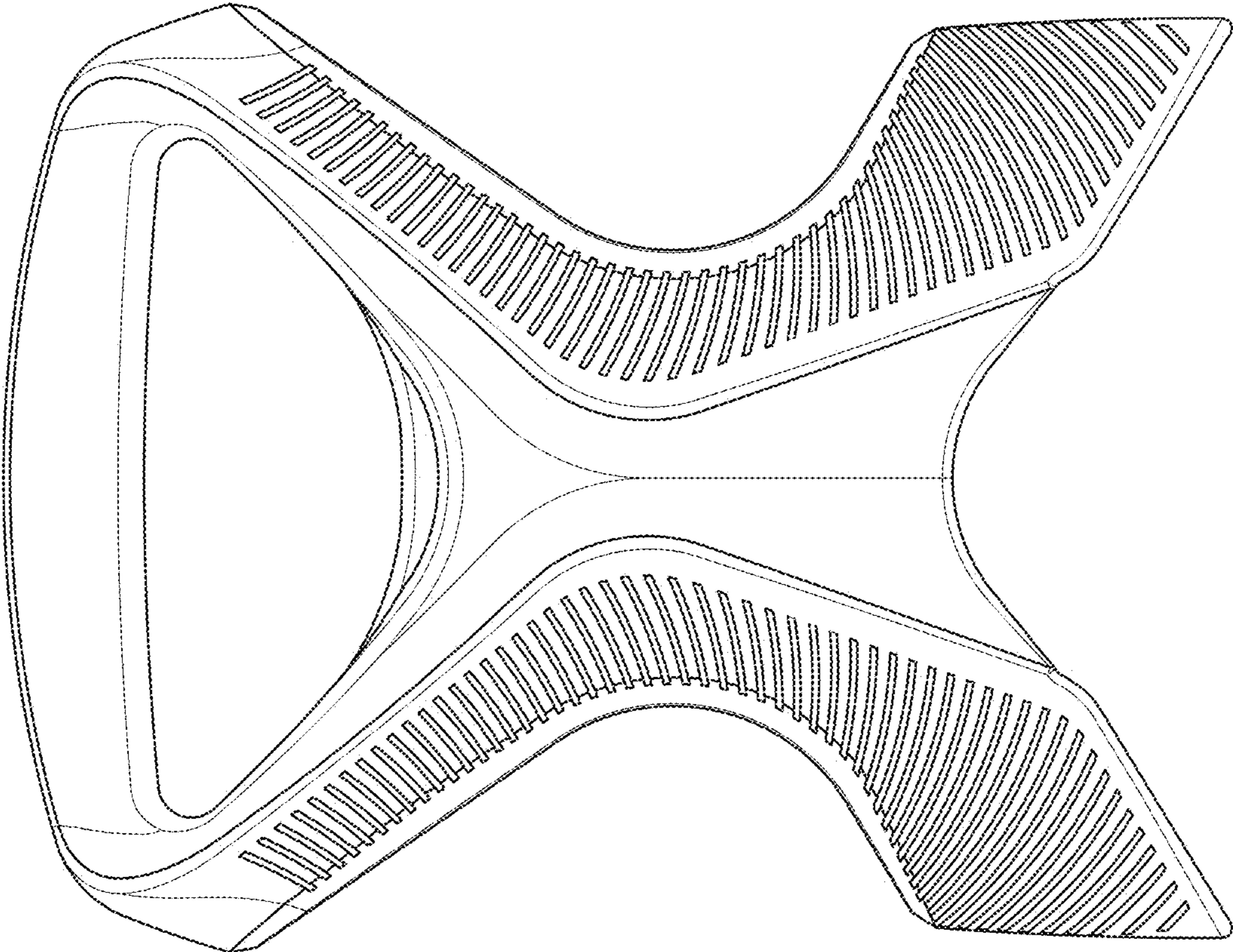


FIG. 3

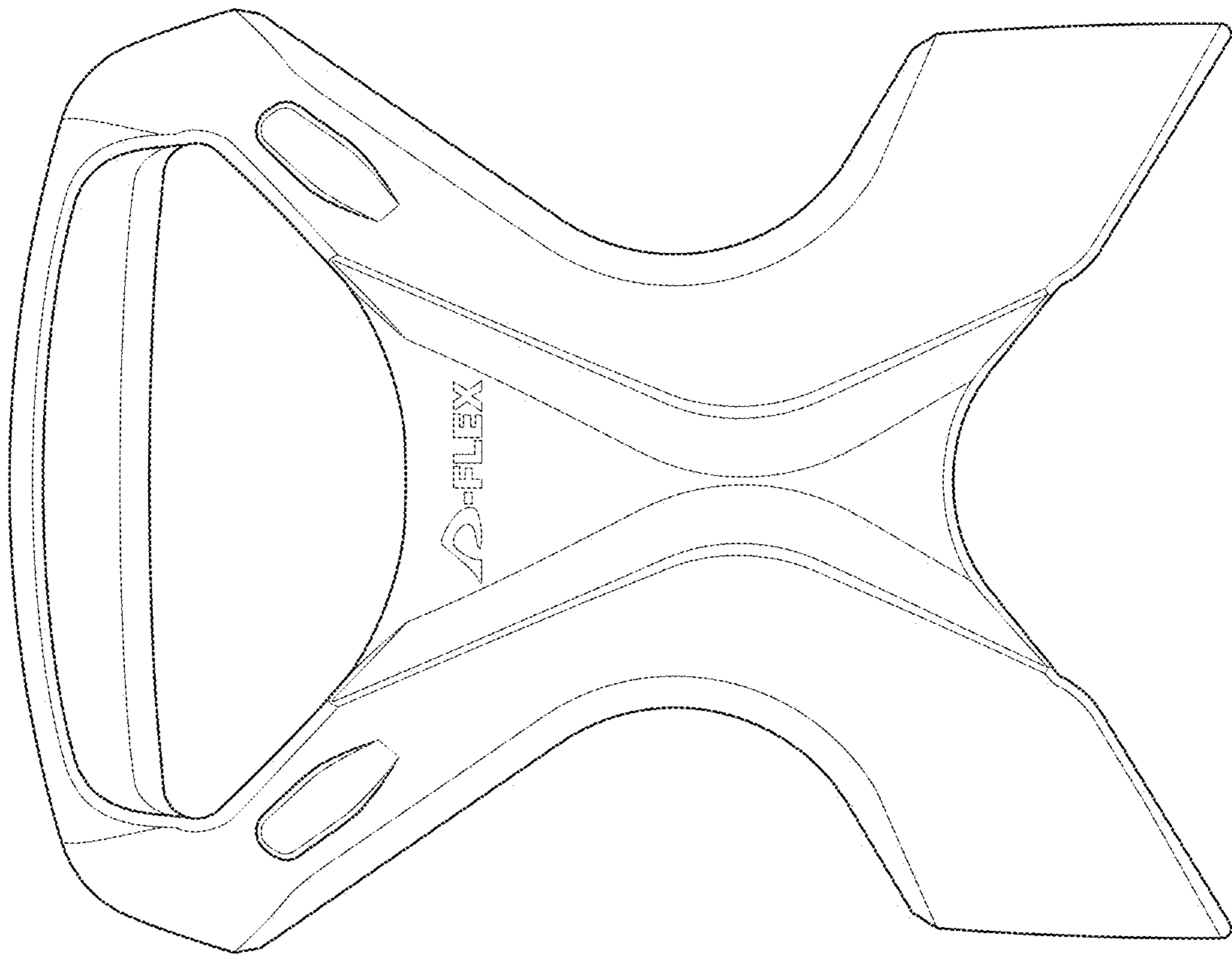


FIG. 4

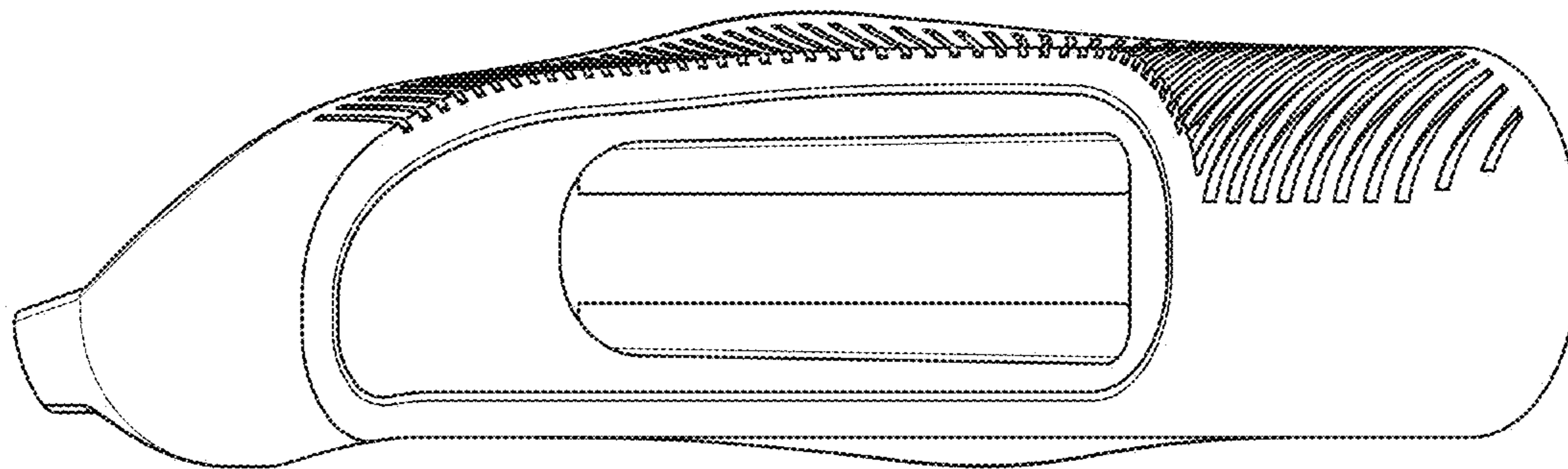


FIG. 5

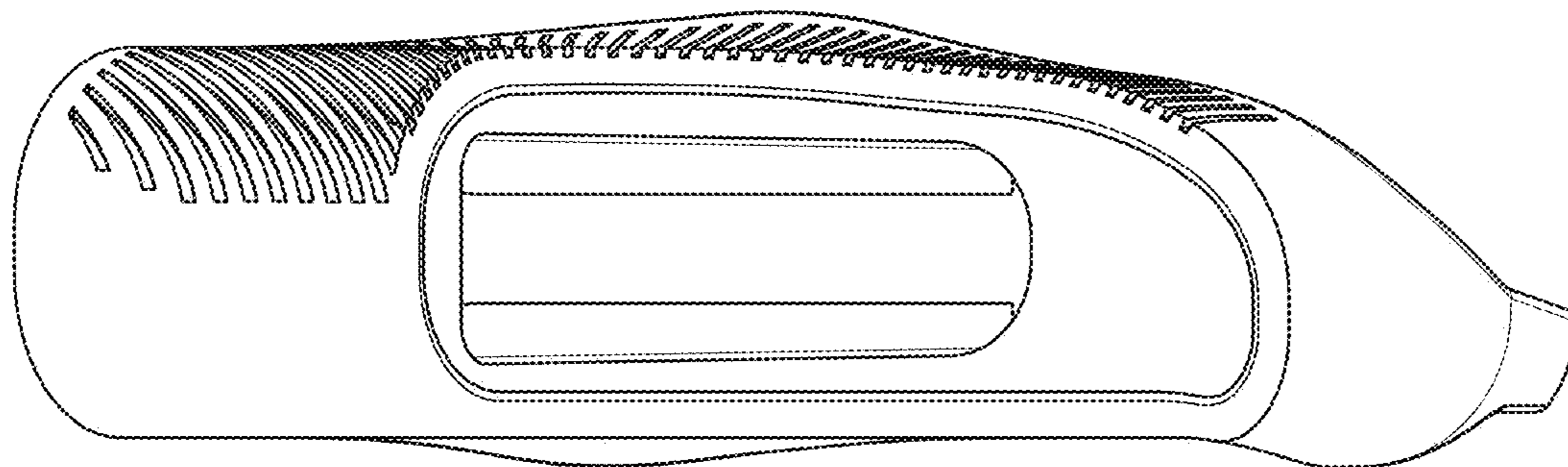


FIG. 6

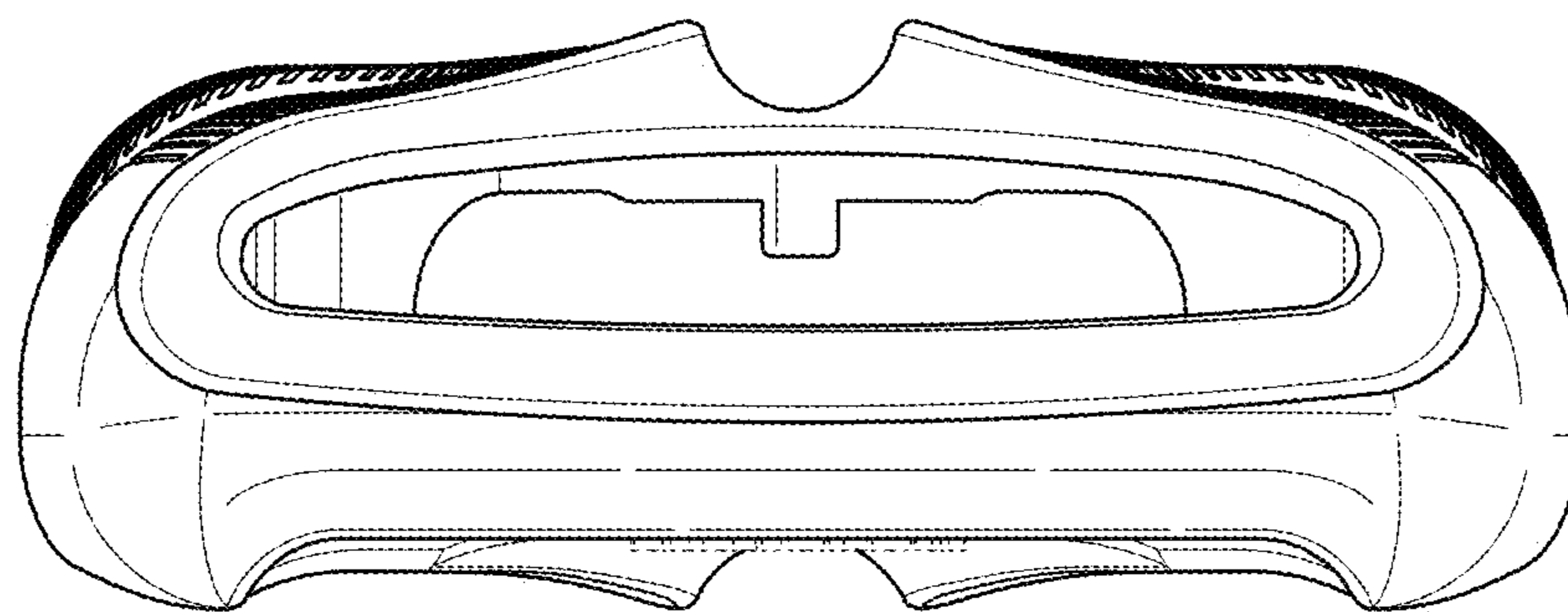


FIG. 7

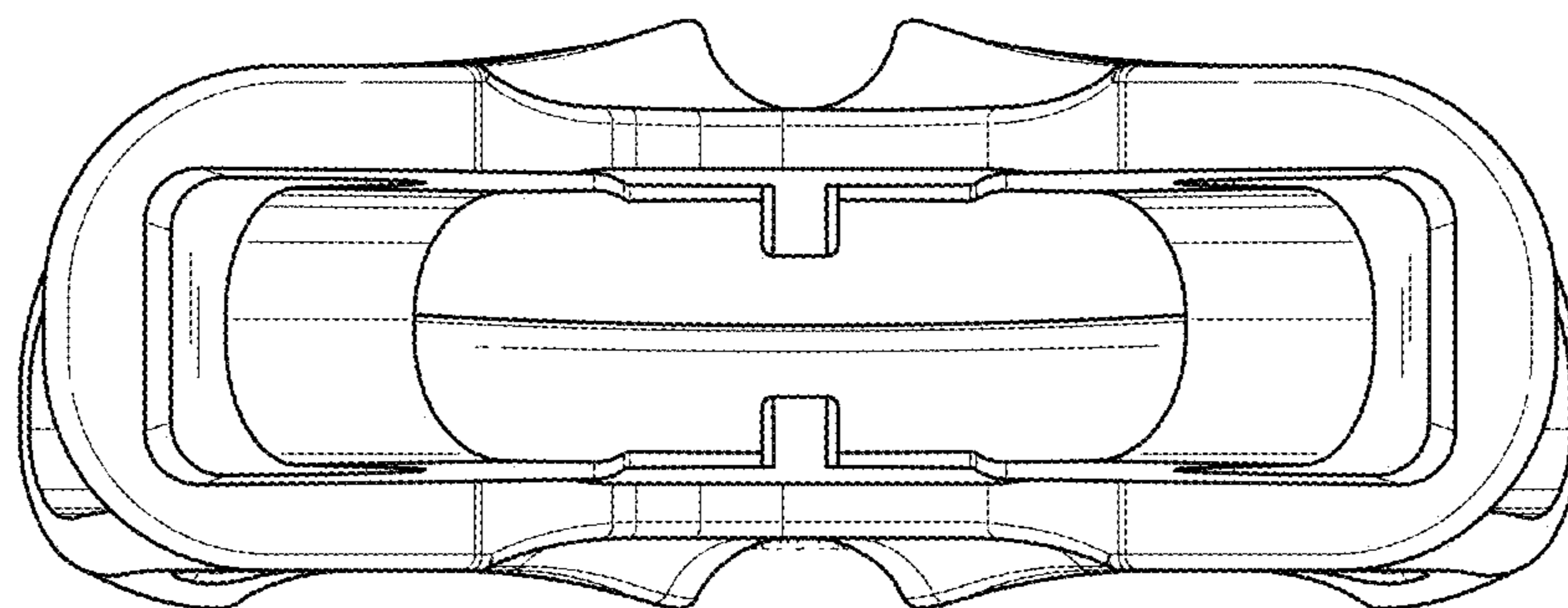


FIG. 8

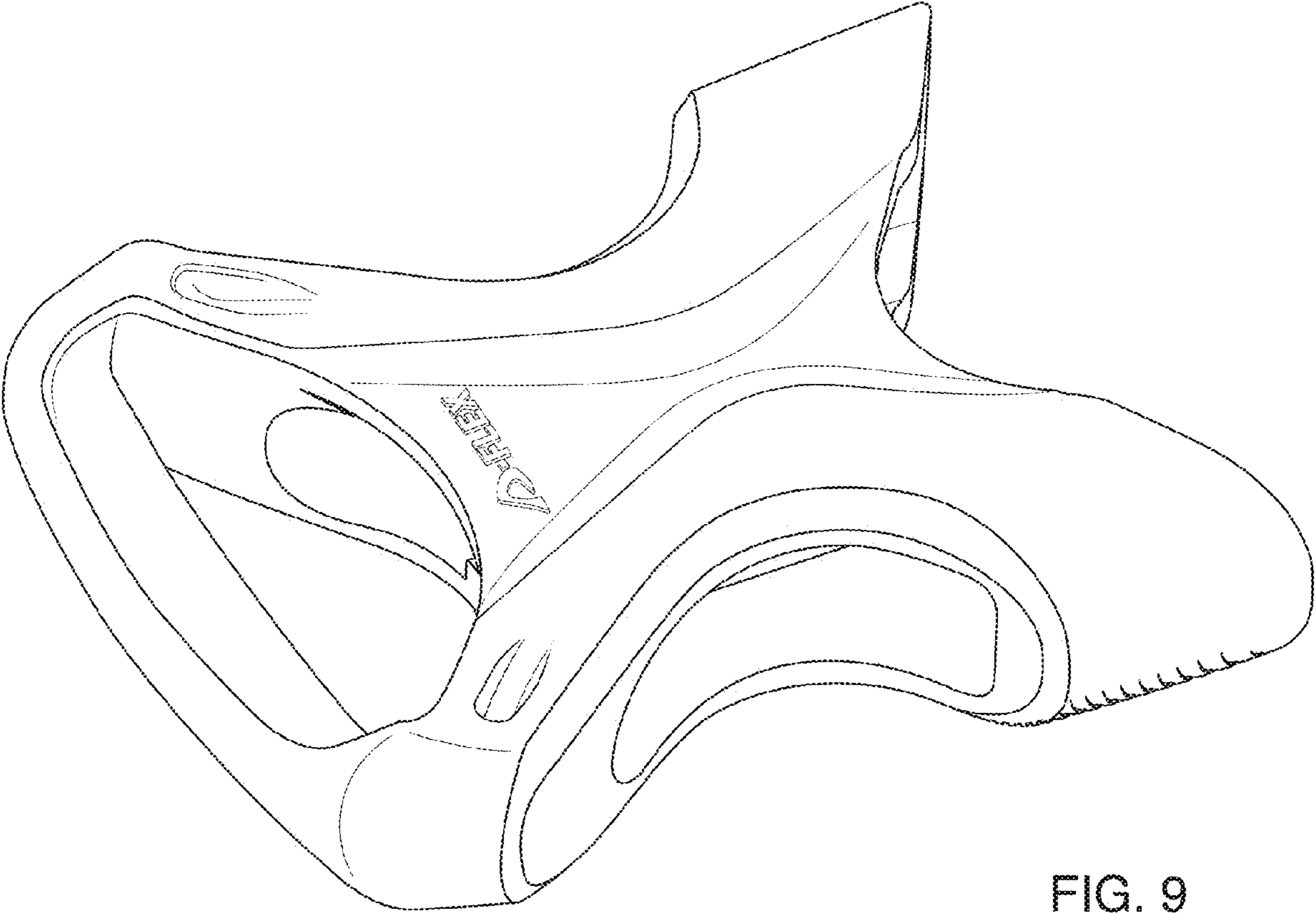


FIG. 9